



US00D568269S

(12) **United States Design Patent**  
**Chen**

(10) **Patent No.:** **US D568,269 S**

(45) **Date of Patent:** **\*\* May 6, 2008**

(54) **MULTIMEDIA PLAYER**

(75) Inventor: **Chou Wan Chen**, Guangdong (CN)

(73) Assignee: **Dong Guan Evervictory Electronic Co., Ltd.**, Guangdong (CN)

(\*\*) Term: **14 Years**

(21) Appl. No.: **29/295,315**

(22) Filed: **Sep. 26, 2007**

(51) **LOC (8) Cl.** ..... **14-03**

(52) **U.S. Cl.** ..... **D14/129**

(58) **Field of Classification Search** ..... D14/125-134,  
D14/239, 371, 136, 374-377; 312/7.2; 348/836,  
348/838, 180, 184, 325, 739; 341/12; 248/917-924,  
248/465; 345/104, 133, 156, 168, 87, 173;  
720/605, 669, 600, 655; 369/99, 197; 455/344-347  
See application file for complete search history.

(56) **References Cited**

**U.S. PATENT DOCUMENTS**

- D370,466 S \* 6/1996 Vossoughi ..... D14/336
- D390,218 S \* 2/1998 Meisner et al. .... D14/132
- D434,397 S \* 11/2000 Sasago ..... D14/125
- D462,335 S \* 9/2002 Serbinski et al. .... D14/129
- D488,140 S \* 4/2004 Hanselman et al. .... D14/129

- D513,010 S \* 12/2005 Hussaini et al. .... D14/496
- D522,472 S \* 6/2006 Lin ..... D14/126
- D531,150 S \* 10/2006 Yabe et al. .... D14/129
- D553,641 S \* 10/2007 Williamson et al. .... D14/496
- D555,666 S \* 11/2007 Hussaini et al. .... D21/333
- 2007/0262953 A1 \* 11/2007 Zackschewski ..... 345/156

\* cited by examiner

*Primary Examiner*—Raphael Barkai

(74) *Attorney, Agent, or Firm*—Banger Shia

(57) **CLAIM**

The ornamental design for multimedia player, as shown and described.

**DESCRIPTION**

FIG. 1 is a perspective view of multimedia player showing my present design,

FIG. 2 is a front elevation view thereof;

FIG. 3 is a rear elevation view thereof;

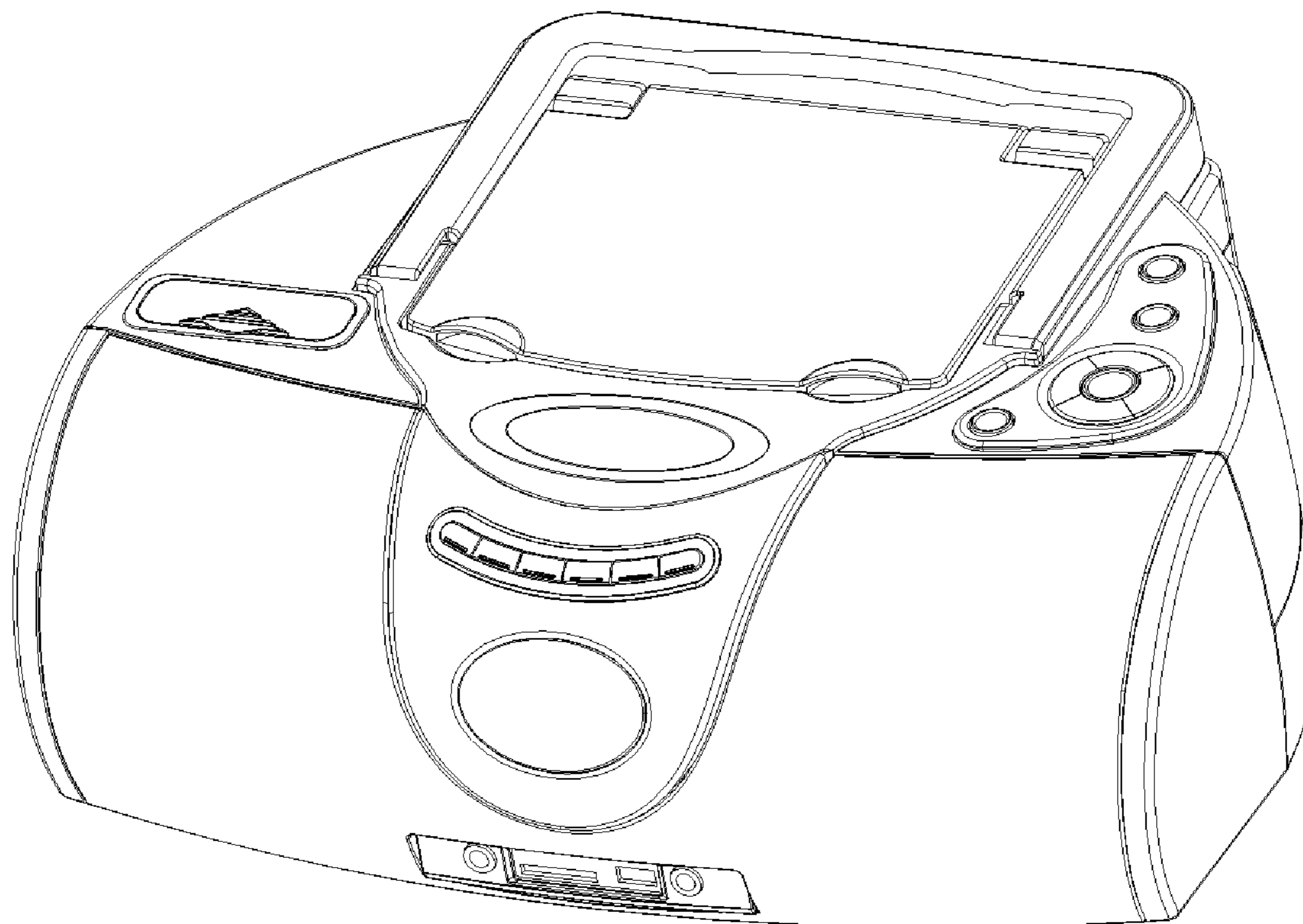
FIG. 4 is a left side elevation view thereof;

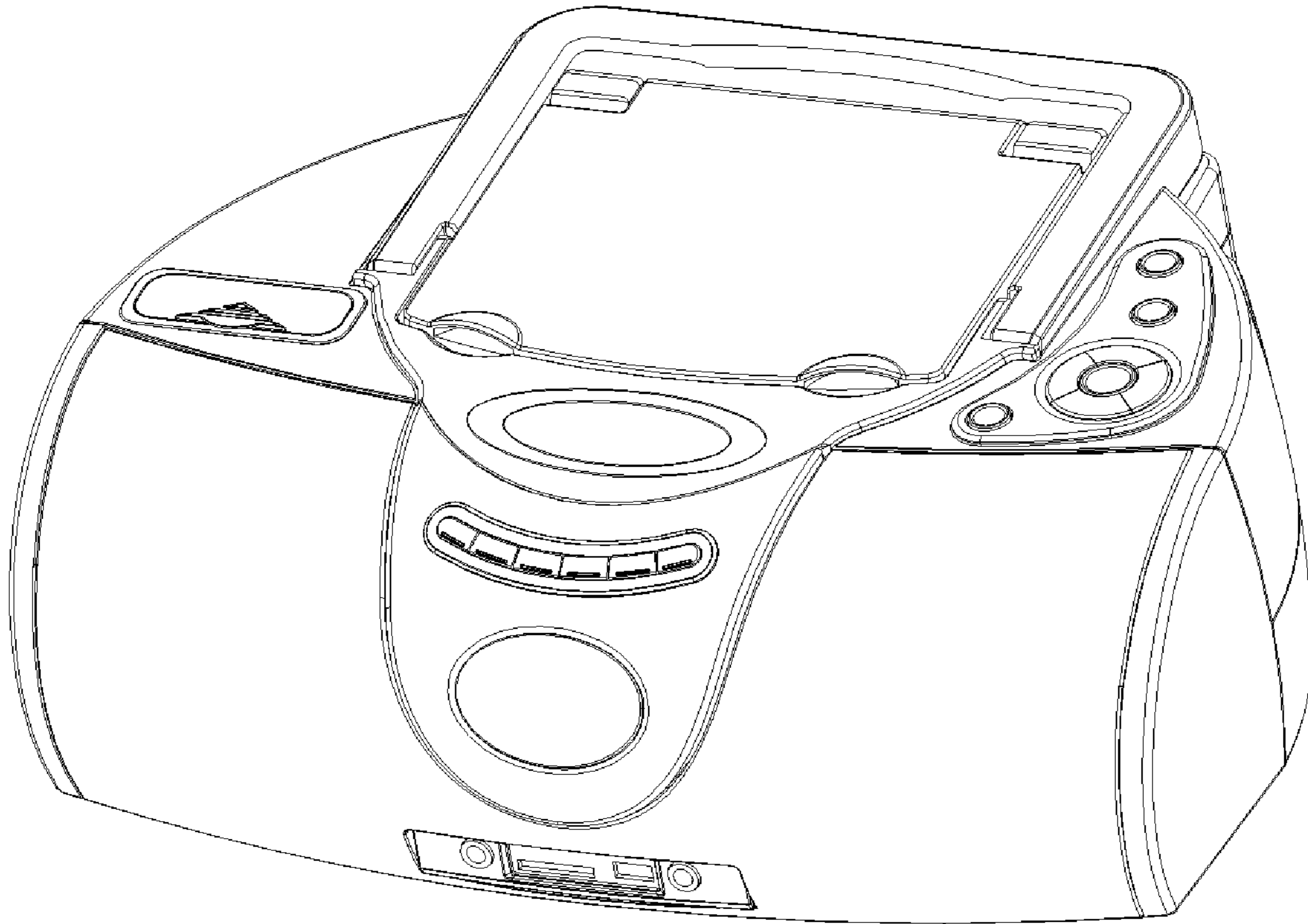
FIG. 5 is a right side elevation view thereof;

FIG. 6 is a top plan view thereof; and,

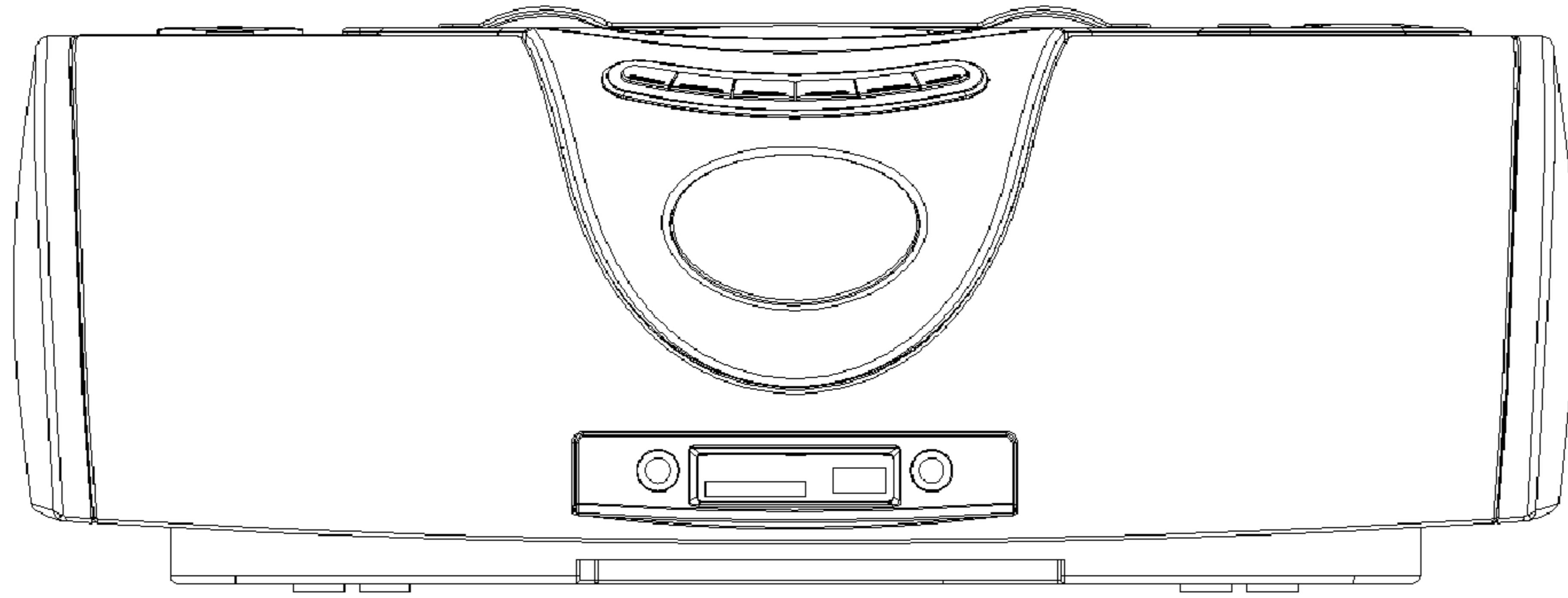
FIG. 7 is a bottom plan view thereof;

**1 Claim, 4 Drawing Sheets**

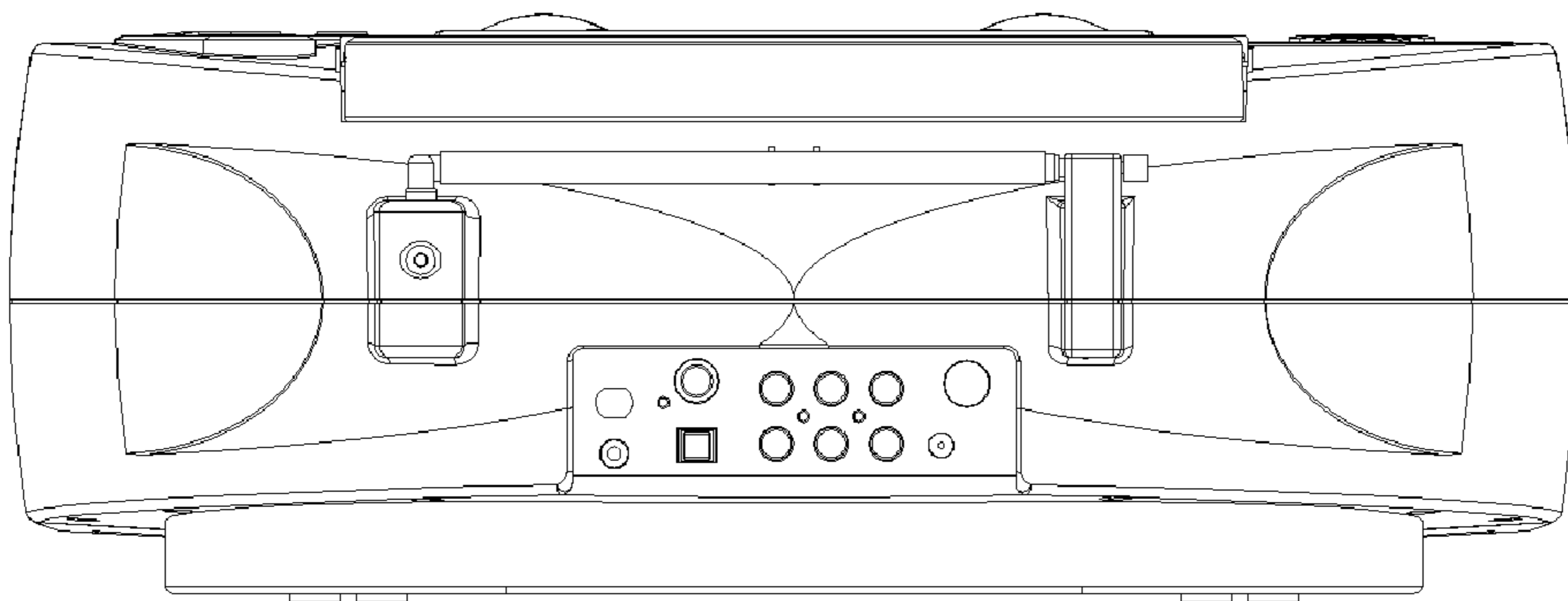




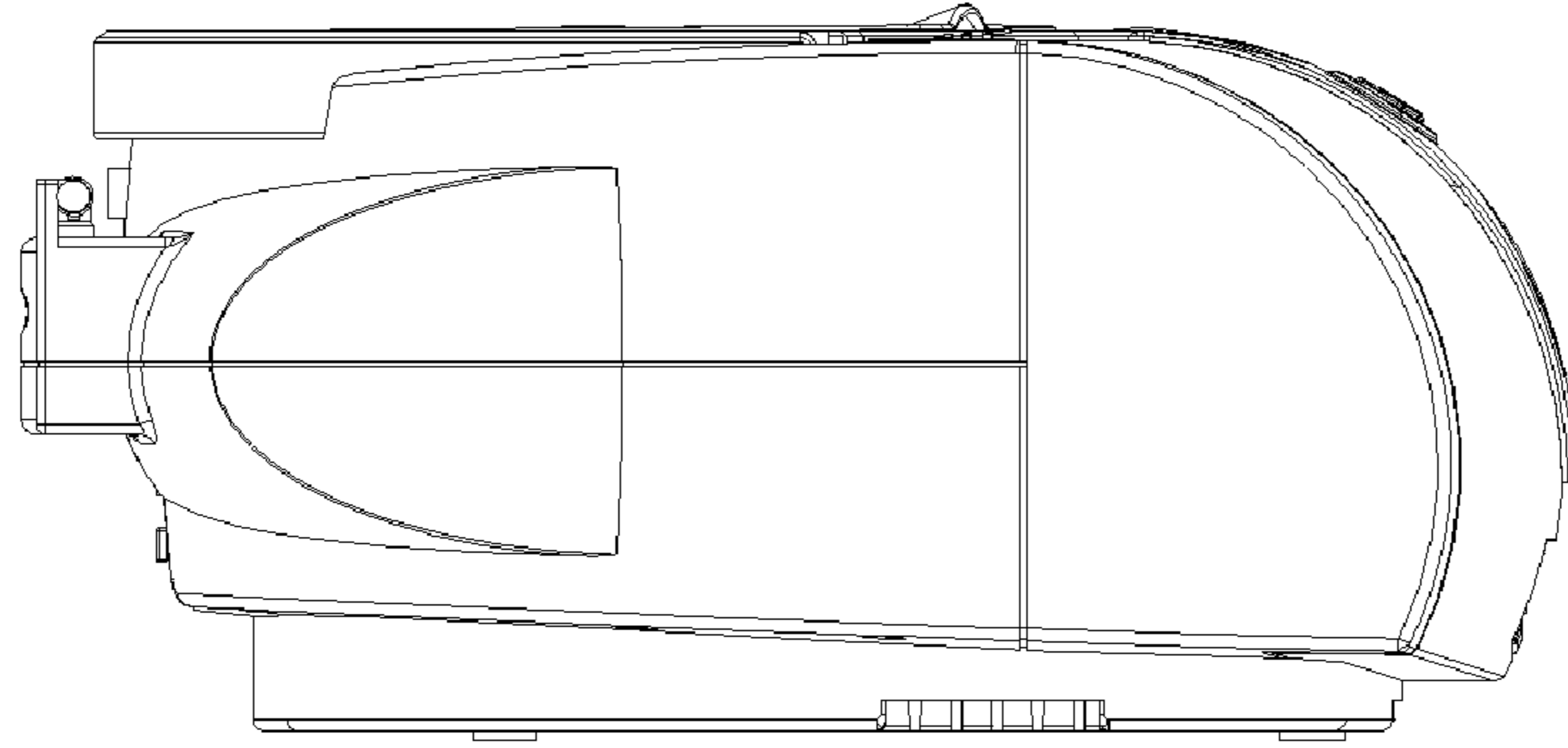
**FIG. 1**



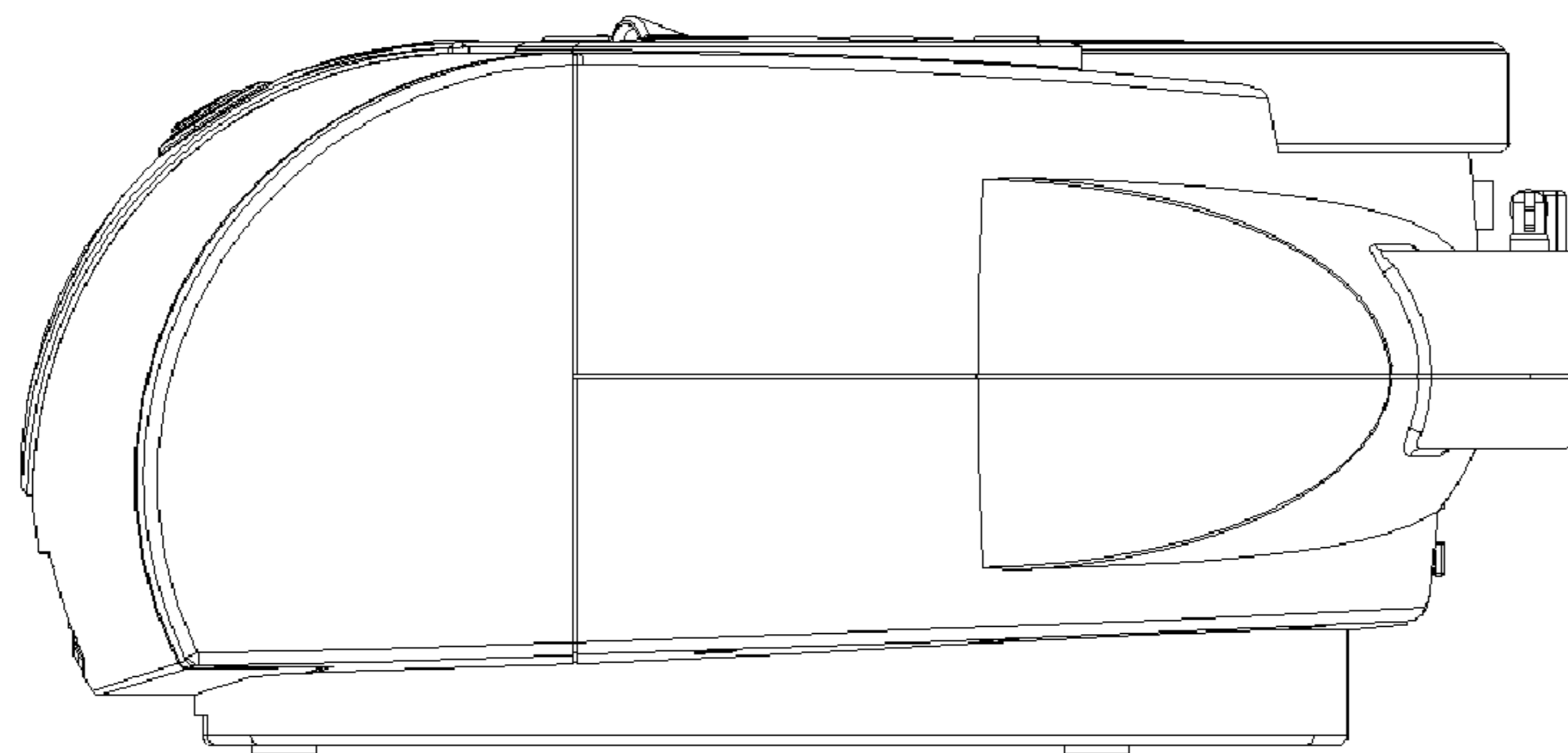
**FIG. 2**



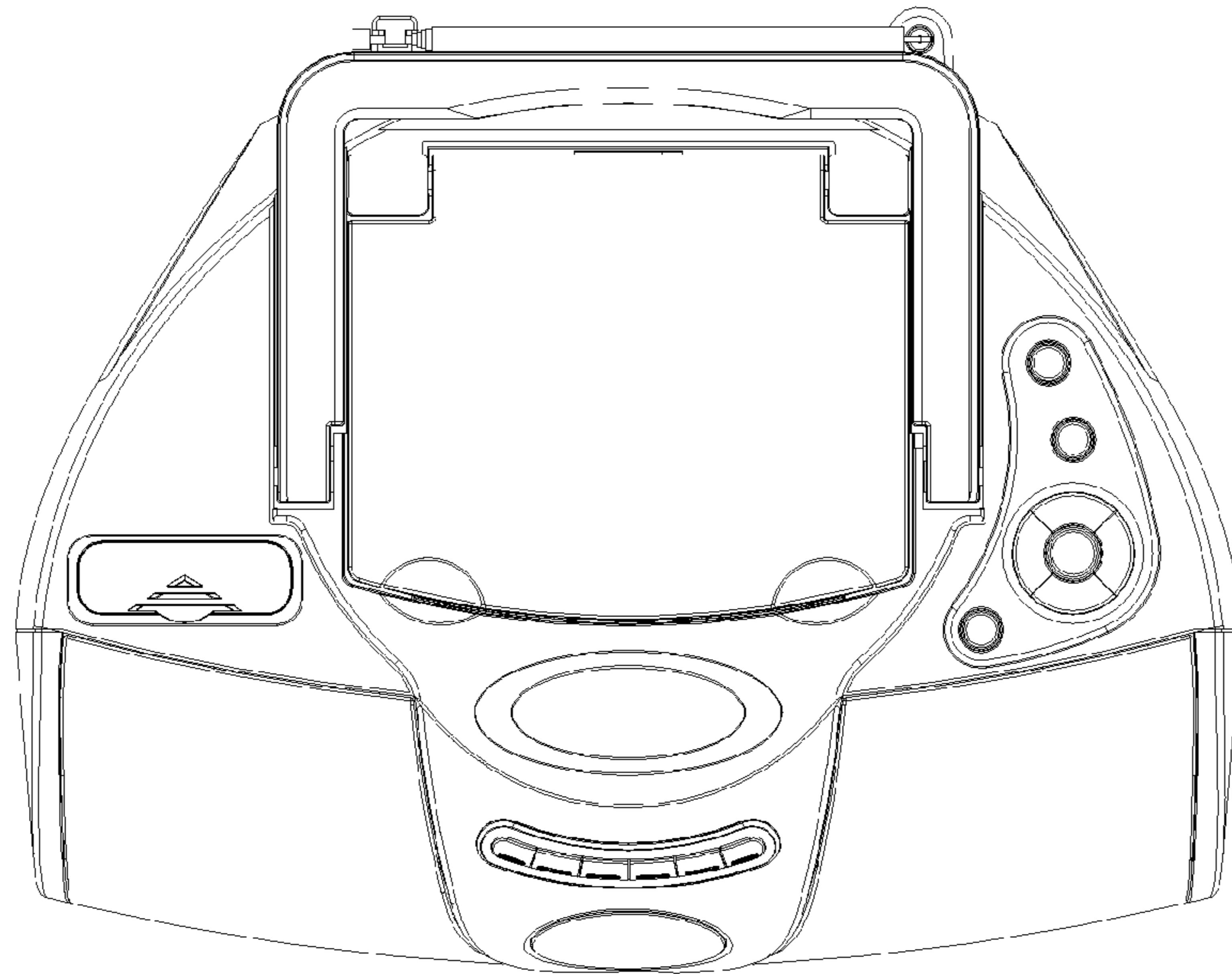
**FIG. 3**



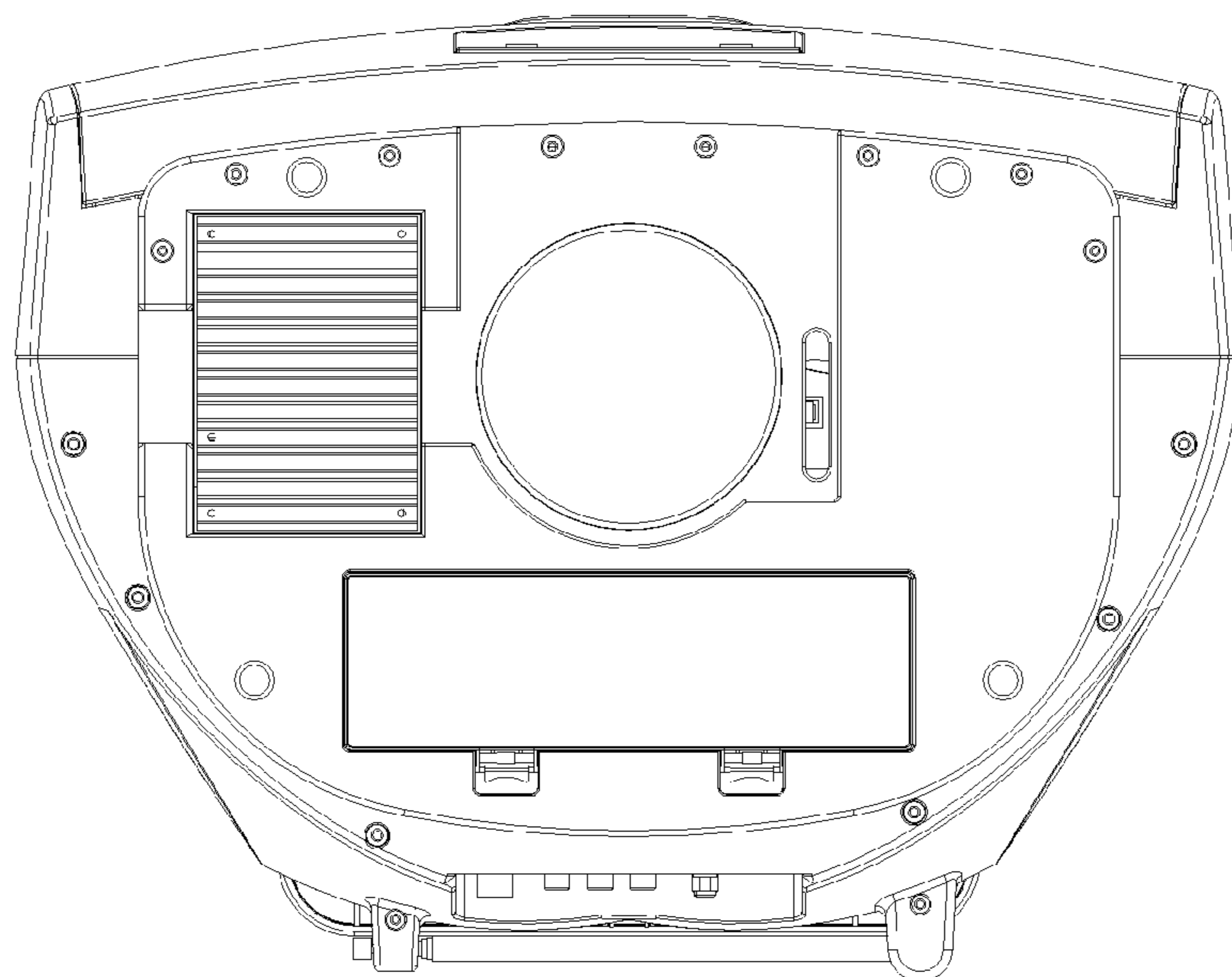
**FIG. 4**



**FIG. 5**



**FIG. 6**



**FIG. 7**