



US00D568268S

(12) **United States Design Patent**
Lee

(10) **Patent No.:** **US D568,268 S**

(45) **Date of Patent:** **** May 6, 2008**

(54) **TELEVISION SET (13)**

(75) Inventor: **Chien-Kuo Lee**, Taoyuan (TW)

(73) Assignee: **Hannspree, Inc.**, Taipei (TW)

(**) Term: **14 Years**

(21) Appl. No.: **29/296,397**

(22) Filed: **Oct. 19, 2007**

(51) **LOC (8) Cl.** **14-03**

(52) **U.S. Cl.** **D14/126**

(58) **Field of Classification Search** D14/125-134,
D14/230-239, 371, 135, 136, 374-377, 138,
D14/299, 358, 155, 492, 346, 361-363, 365,
D14/496; 312/7.2, 208.1-223.2; 348/836,
348/838, 180, 184, 325, 739, 10, 460; 341/12;
248/465, 917-924, 123.11; 345/104, 133,
345/156, 168, 87, 173, 169; 349/1, 2, 11,
349/62; 720/605, 669, 600, 655, 99, 197;
455/344-347; 369/99, 197

See application file for complete search history.

(56) **References Cited**

U.S. PATENT DOCUMENTS

4,635,110 A * 1/1987 Weinblatt 348/837
D330,710 S * 11/1992 Lee D14/126
D455,410 S * 4/2002 Maruyama et al. D14/126
D475,029 S * 5/2003 Nathan et al. D14/126

D525,605 S * 7/2006 Voege D14/126
D527,714 S * 9/2006 Lin D14/126
D529,454 S * 10/2006 Lin D14/126
D532,390 S * 11/2006 Knoedler-Bunte D14/126
D533,521 S * 12/2006 Wilson D14/126
D541,768 S * 5/2007 Knoedler-Bunte D14/126

* cited by examiner

Primary Examiner—Raphael Barkai

Assistant Examiner—Randall H Gholson

(74) *Attorney, Agent, or Firm*—Hamre, Schumann, Mueller & Larson, P.C.

(57) **CLAIM**

The ornamental design for a television set (13), as shown and described.

DESCRIPTION

FIG. 1 is a front perspective view of a television set (13) in accordance with my invention thereof;

FIG. 2 is a front elevational view thereof;

FIG. 3 is a rear elevational view thereof;

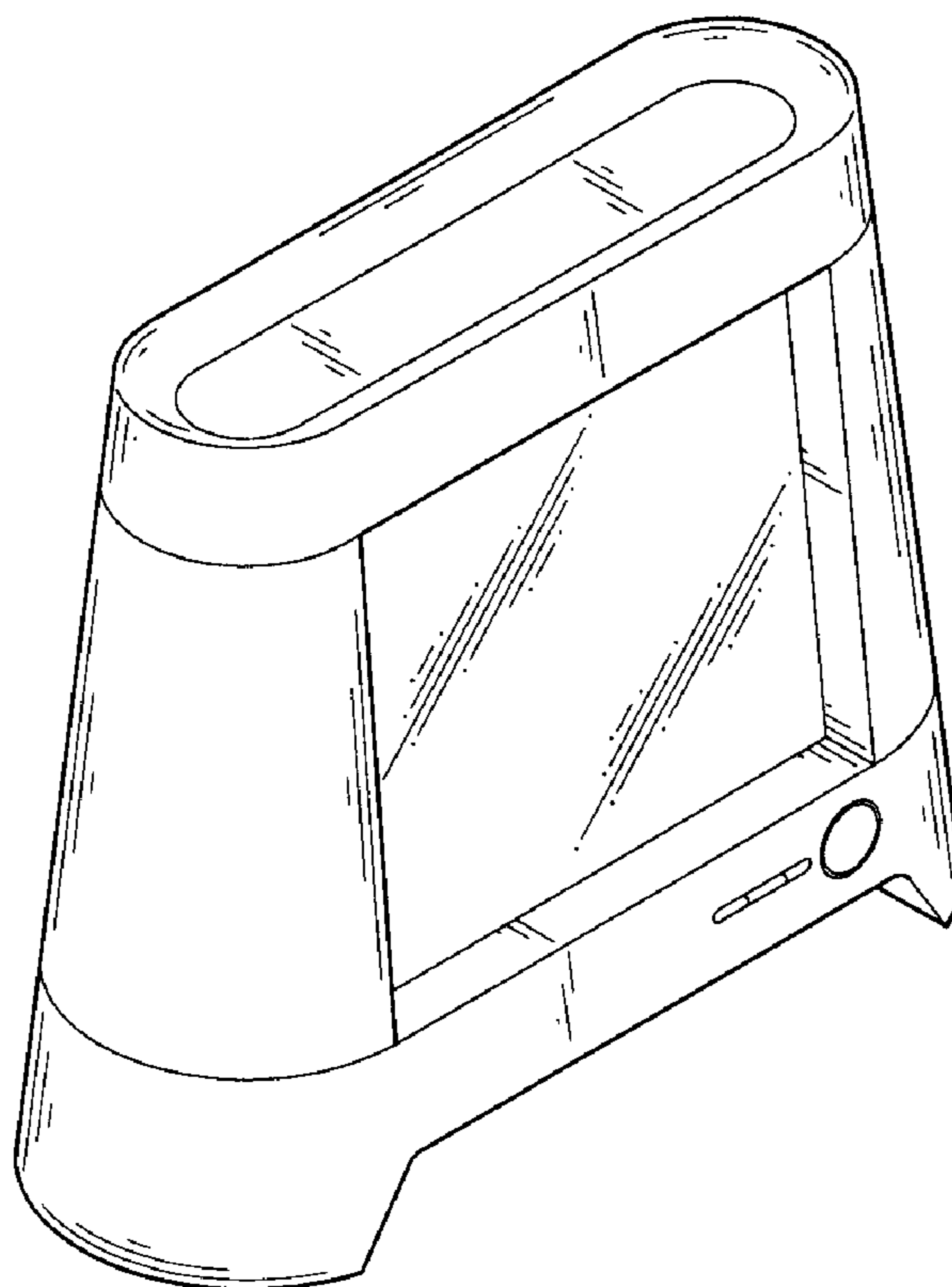
FIG. 4 is a left side elevational view thereof;

FIG. 5 is a right side elevational view thereof;

FIG. 6 is a top plan view thereof; and,

FIG. 7 is a bottom plan view thereof.

1 Claim, 7 Drawing Sheets



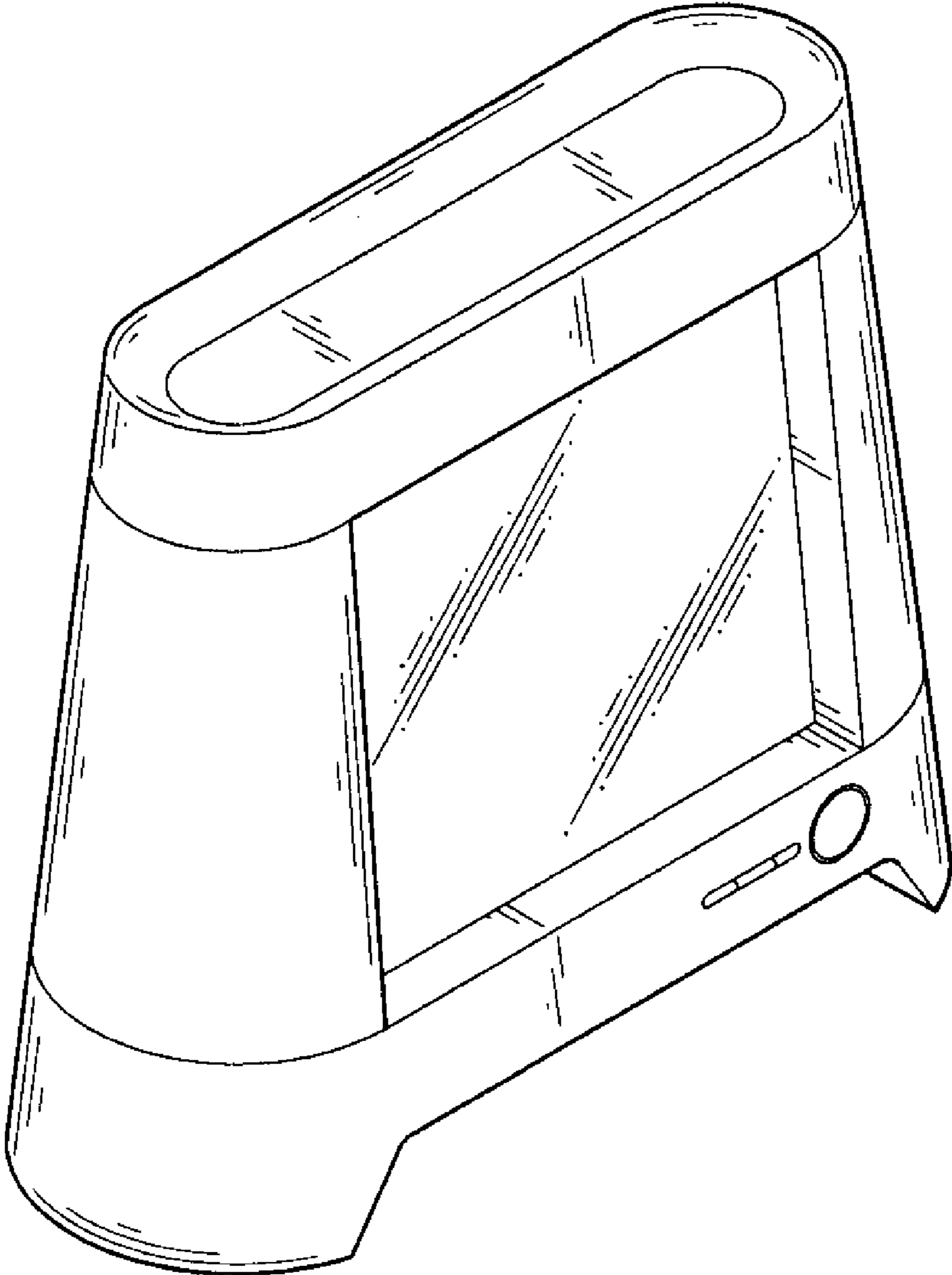


FIG. 1

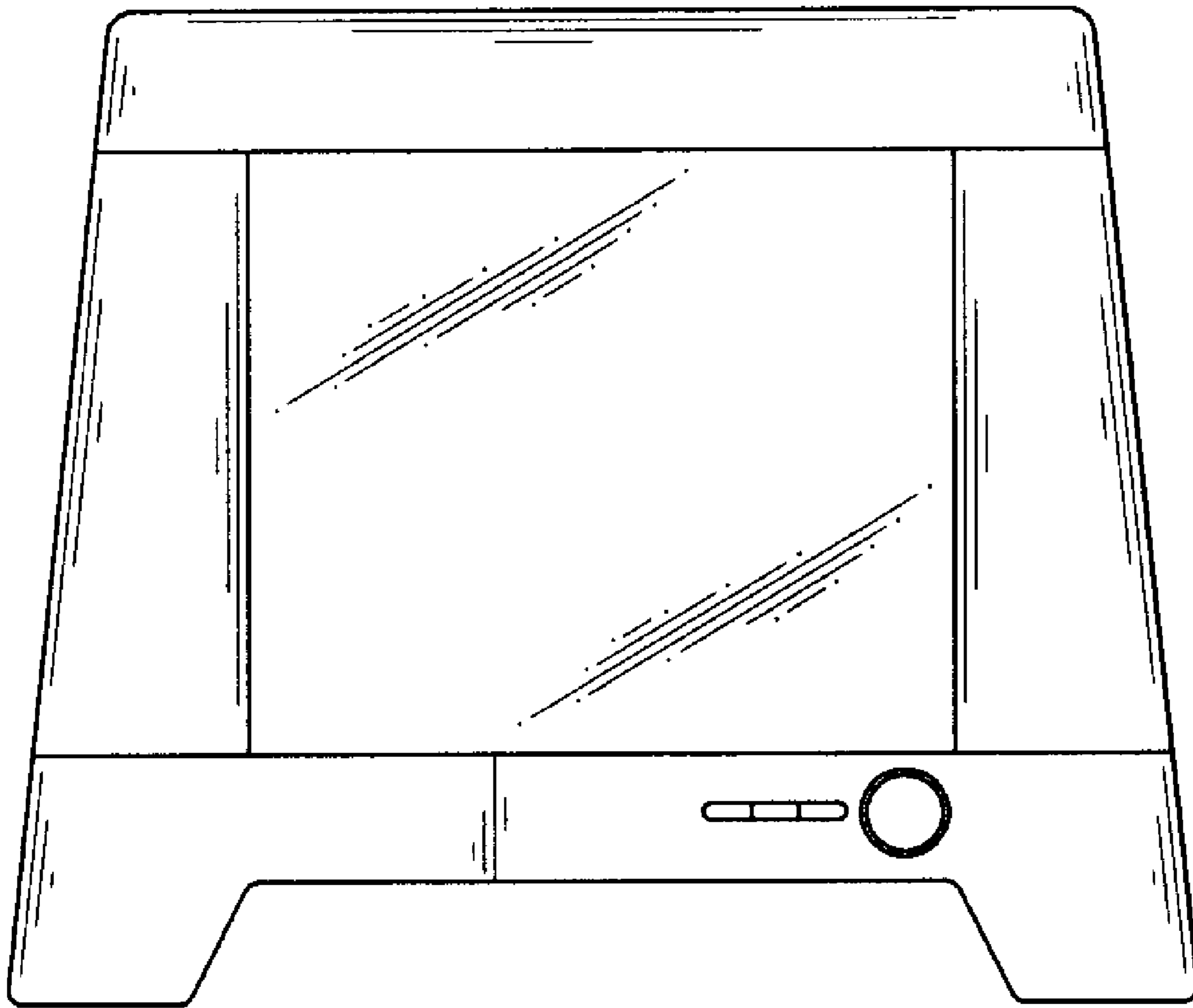


FIG. 2

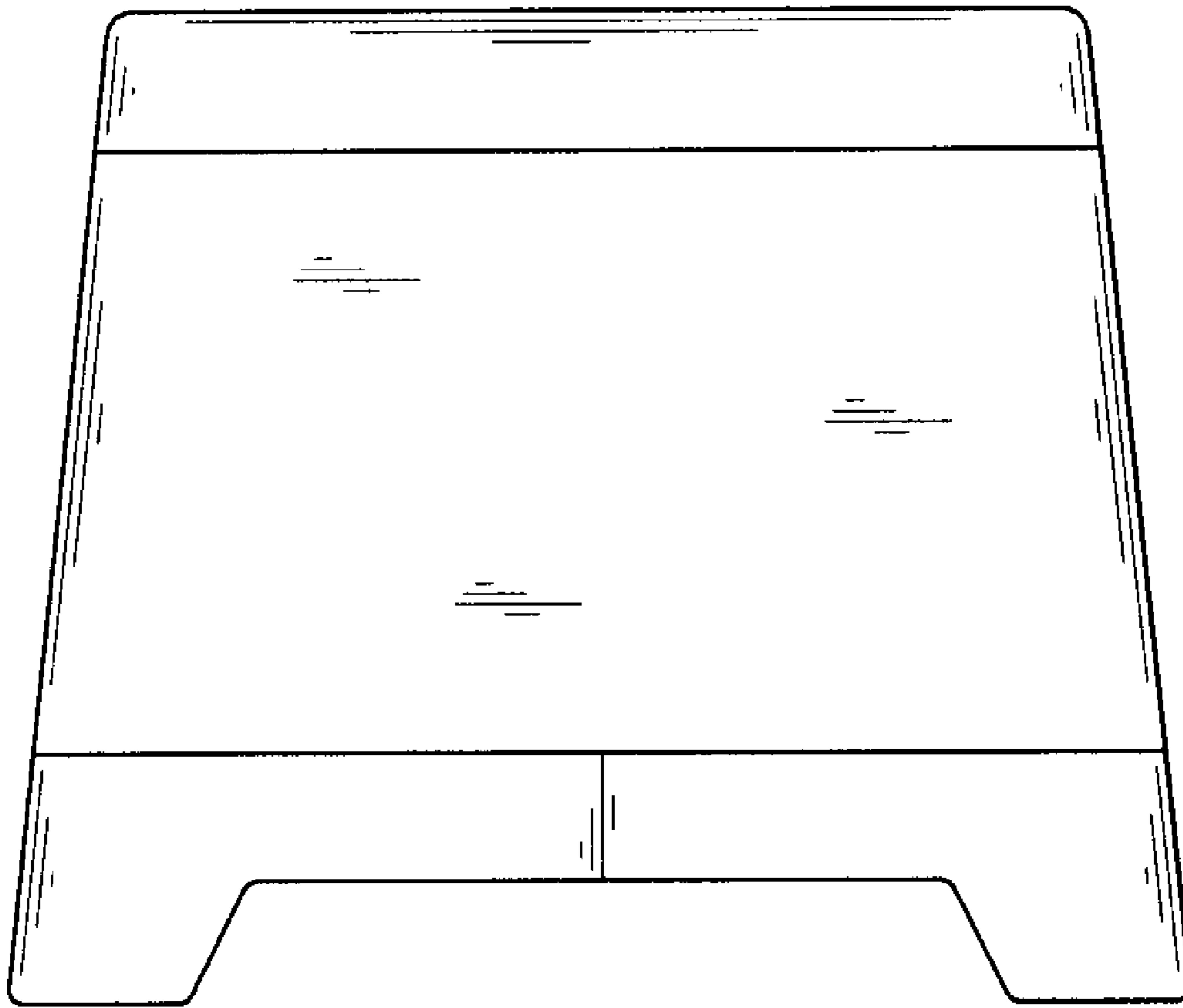


FIG. 3

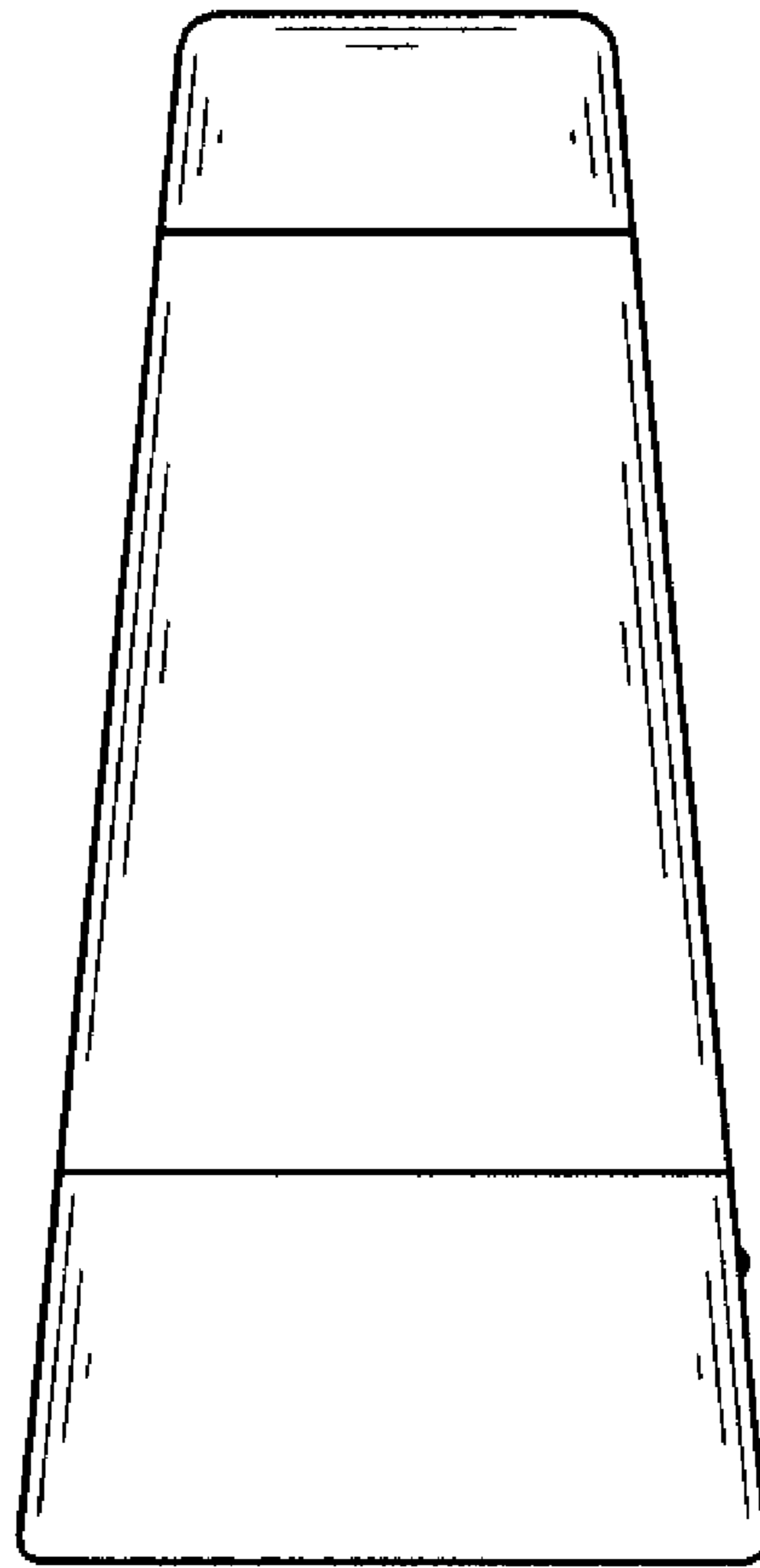


FIG. 4

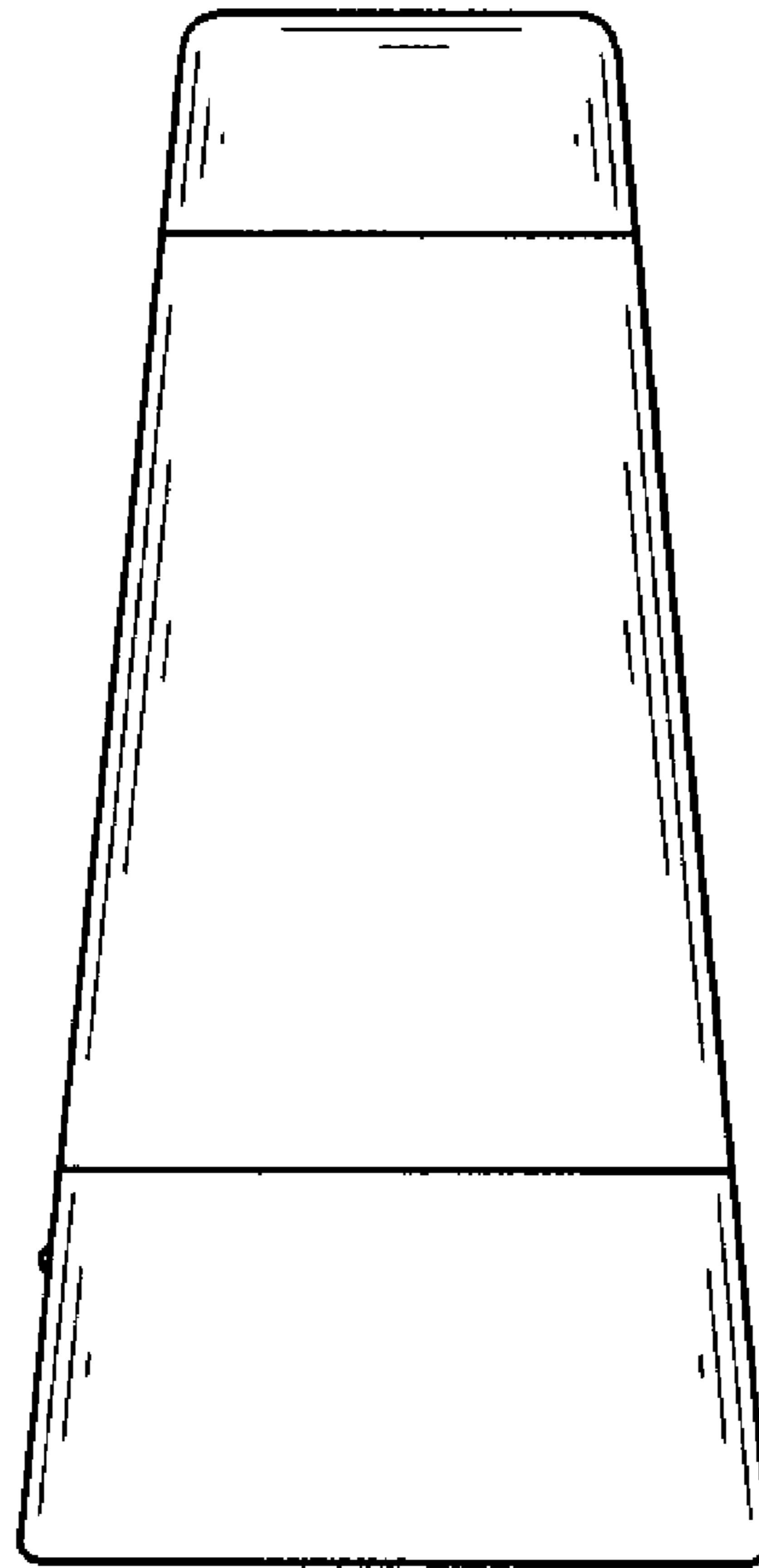


FIG. 5

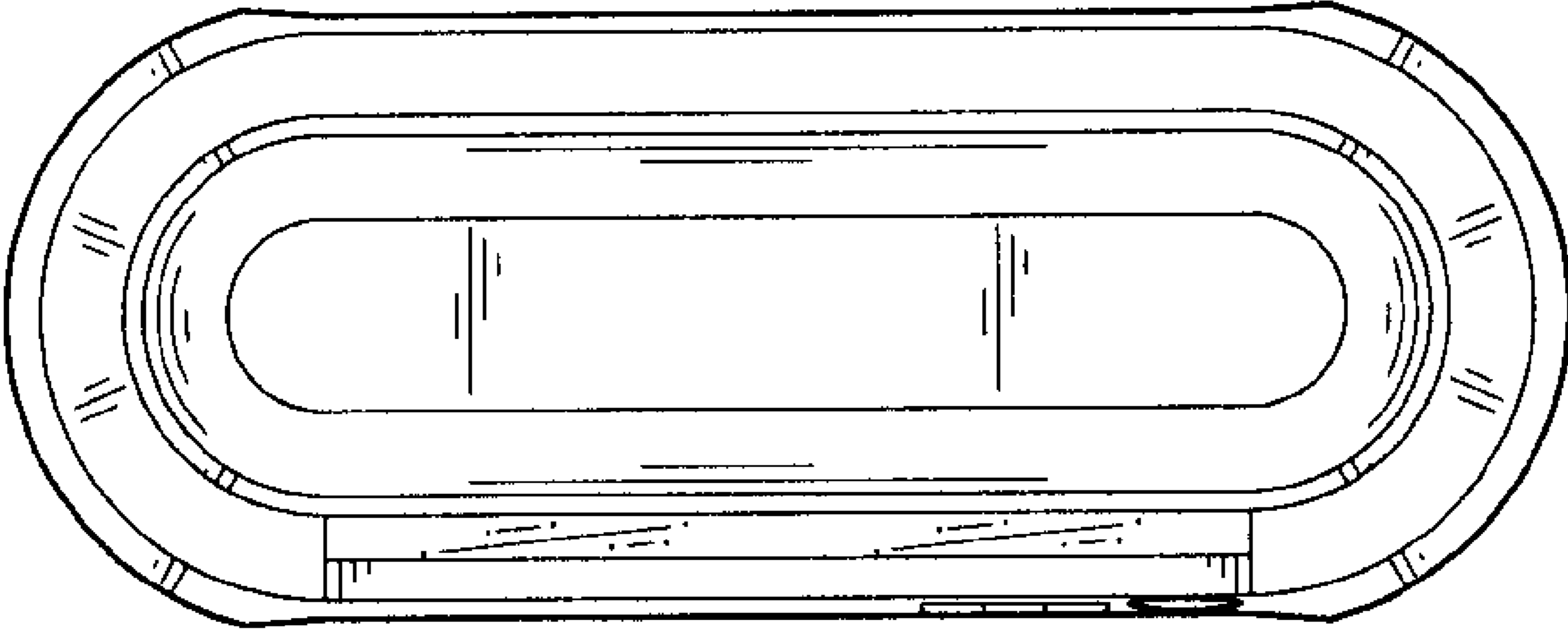


FIG. 6

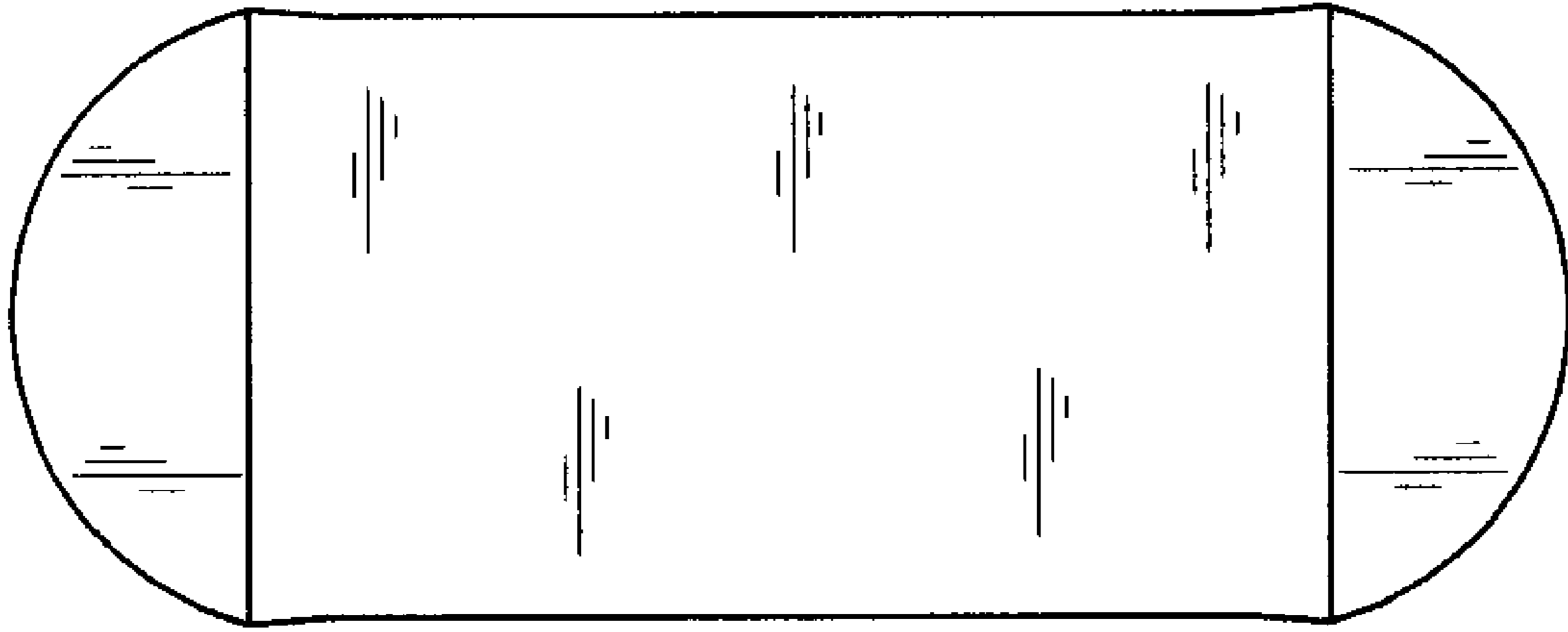


FIG. 7