



US00D568267S

(12) **United States Design Patent** (10) **Patent No.:** **US D568,267 S**
Takami et al. (45) **Date of Patent:** **** May 6, 2008**

(54) **TELEVISION RECEIVER**

(75) Inventors: **Mitsuru Takami**, Kadoma (JP);
Yukihiro Tsuda, Kadoma (JP)

(73) Assignee: **Matsushita Electric Industrial Co., Ltd.**, Osaka (JP)

(**) Term: **14 Years**

(21) Appl. No.: **29/273,873**

(22) Filed: **Mar. 15, 2007**

(30) **Foreign Application Priority Data**

Sep. 21, 2006 (JP) 2006-025222

(51) **LOC (8) Cl.** **14-03**

(52) **U.S. Cl.** **D14/126**

(58) **Field of Classification Search** D14/125-134,
D14/239, 371, 136, 374-377; 312/7.2; 348/836,
348/838, 180, 184, 325, 739; 341/12; 248/917-924,
248/465; 345/104, 133, 156, 168, 87, 173;
720/605, 669, 600, 655; 369/99, 197; 455/344-347
See application file for complete search history.

(56) **References Cited**

U.S. PATENT DOCUMENTS

D436,087 S * 1/2001 Takami et al. D14/126
D457,507 S * 5/2002 Lim et al. D14/133
D477,292 S * 7/2003 Inoue et al. D14/129
D488,784 S 4/2004 Takami et al.
D488,785 S * 4/2004 Ohba et al. D14/126
D491,151 S 6/2004 Nagao
D505,807 S * 6/2005 Goto et al. D6/477
D513,501 S 1/2006 Asanuma et al.
D515,048 S * 2/2006 Villalobos et al. D14/128
D515,049 S * 2/2006 Asanuma et al. D14/129
D515,848 S * 2/2006 Takami et al. D6/477
D519,755 S * 5/2006 Luong D6/479
D539,245 S * 3/2007 Bischoff D14/126

D540,760 S * 4/2007 Macey et al. D16/134
D543,164 S * 5/2007 Yang et al. D14/126
D543,166 S * 5/2007 Kuramashi et al. D14/128
D545,778 S * 7/2007 Isshiki D14/126
D549,194 S * 8/2007 Fujii D14/126

OTHER PUBLICATIONS

Takami et al., U.S. Appl. No. 29/273,872, entitled "Television Receiver," filed Mar. 15, 2007.
Takami et al., U.S. Appl. No. 29/273,924, entitled "Television Receiver," filed Mar. 16, 2007.
Takami et al., U.S. Appl. No. 29/273,925, entitled "Television Receiver," filed Mar. 16, 2007.
Takami et al., U.S. Appl. No. 29/273,926, entitled "Television Receiver," filed Mar. 16, 2007.
Takami et al., U.S. Appl. No. 29/273,927, entitled "Television Receiver," filed Mar. 16, 2007.

* cited by examiner

Primary Examiner—Raphael Barkai

(74) *Attorney, Agent, or Firm*—Brinks Hofer Gilson & Lione

(57) **CLAIM**

We claim the ornamental design for a television receiver, as shown and described.

DESCRIPTION

FIG. 1 is a top perspective view of a television receiver of the present invention;
FIG. 2 is a front view thereof;
FIG. 3 is a first side view thereof;
FIG. 4 is a second side view thereof;
FIG. 5 is a top view thereof;
FIG. 6 is a rear view thereof; and,
FIG. 7 is a bottom view thereof.

1 Claim, 3 Drawing Sheets

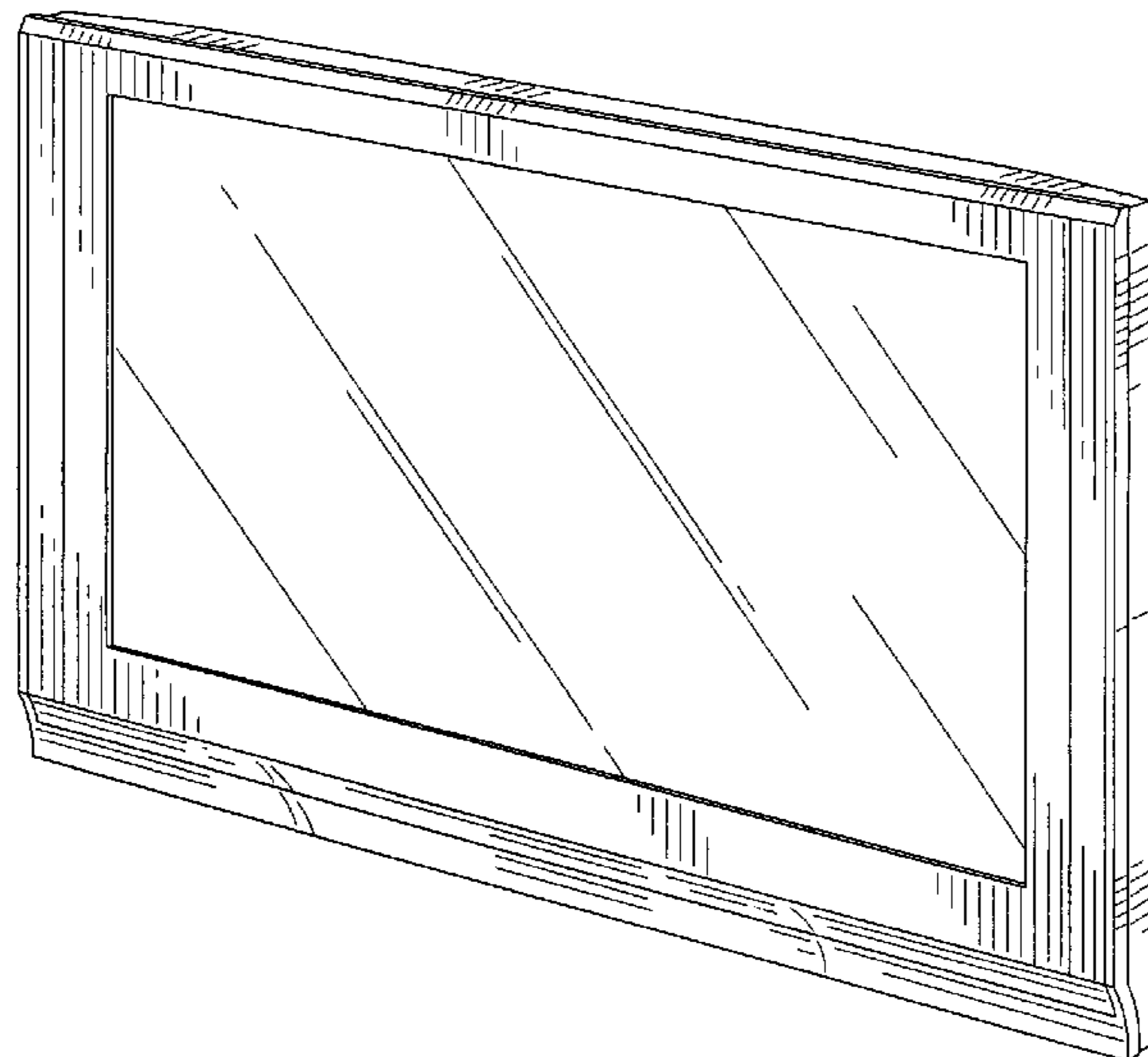


FIG.1

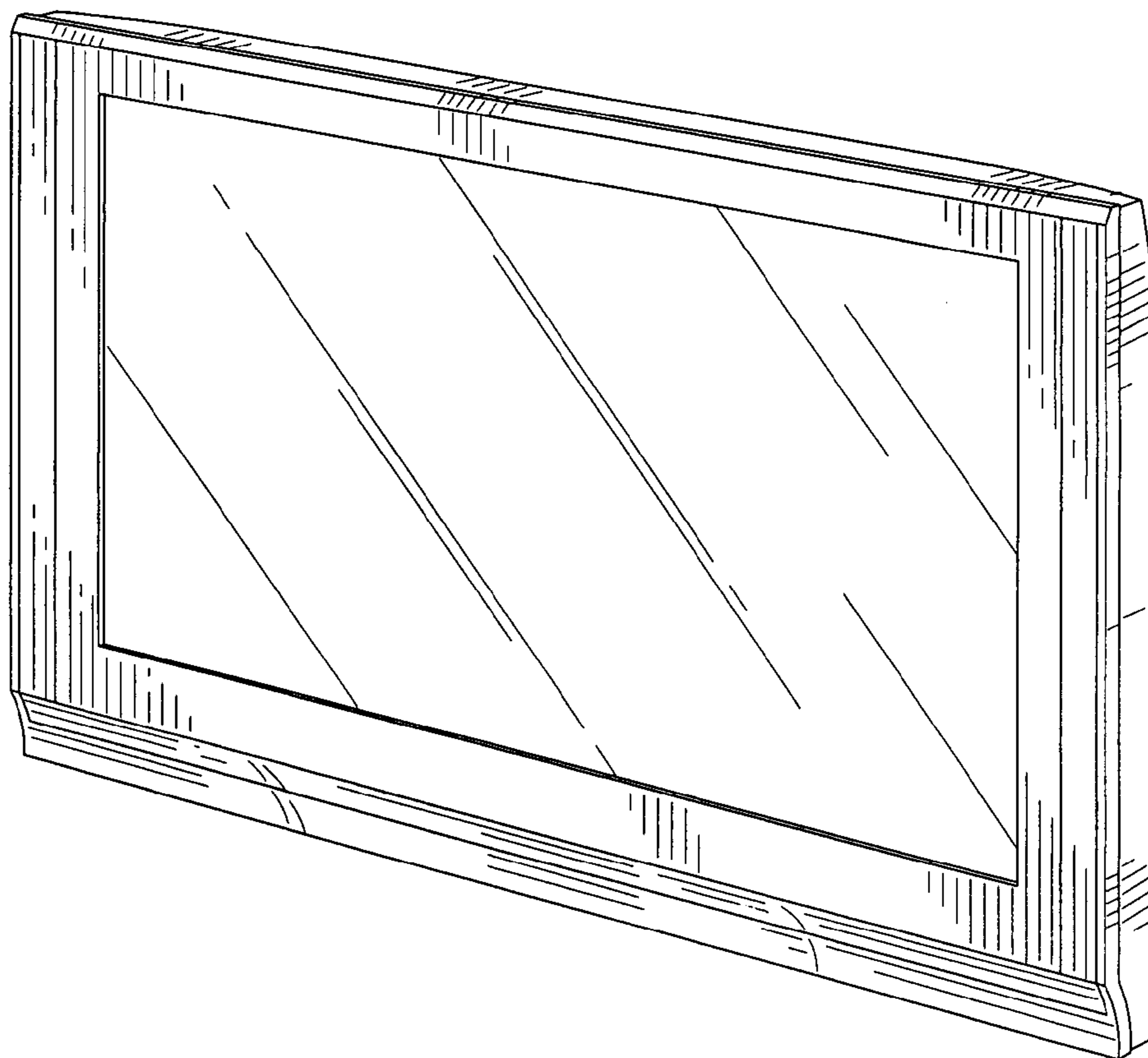


FIG.2

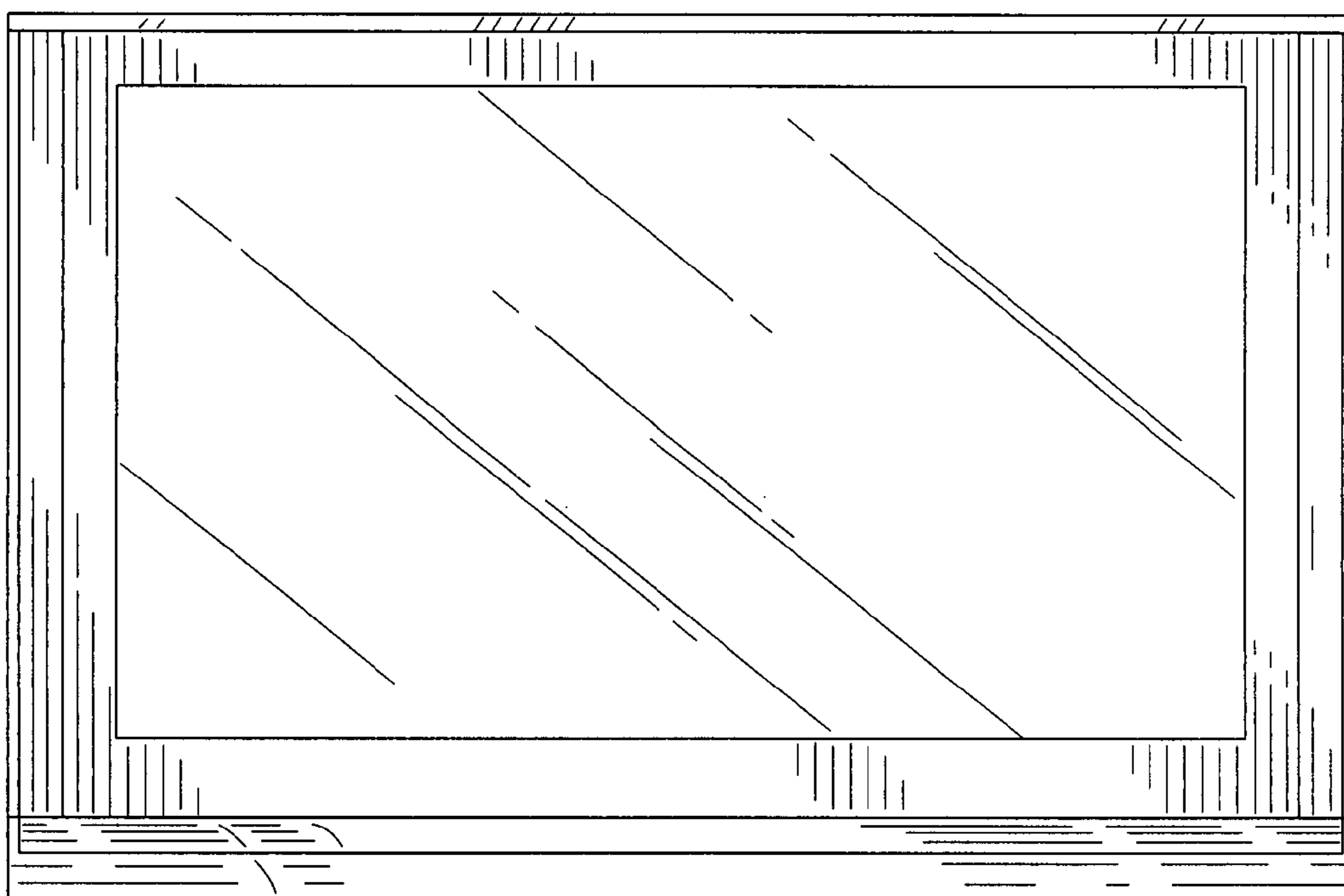


FIG.3

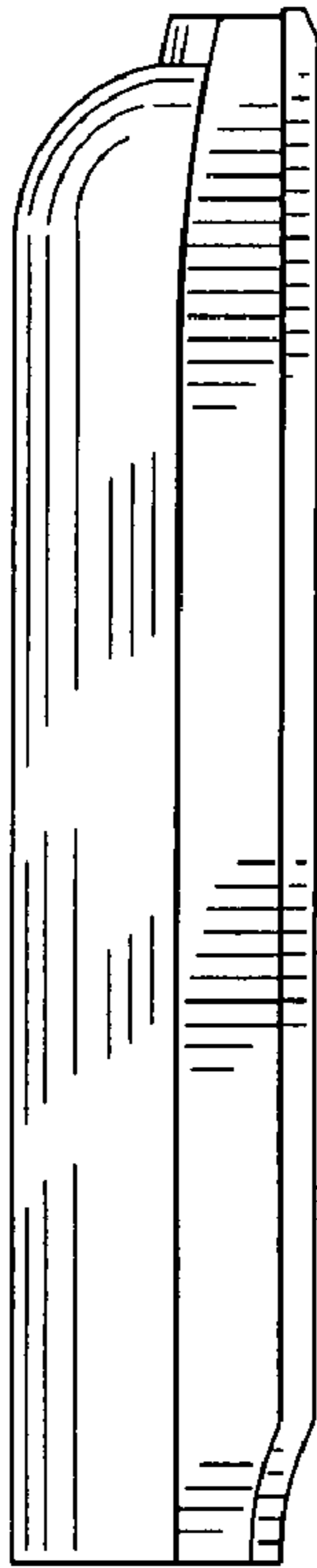


FIG.4

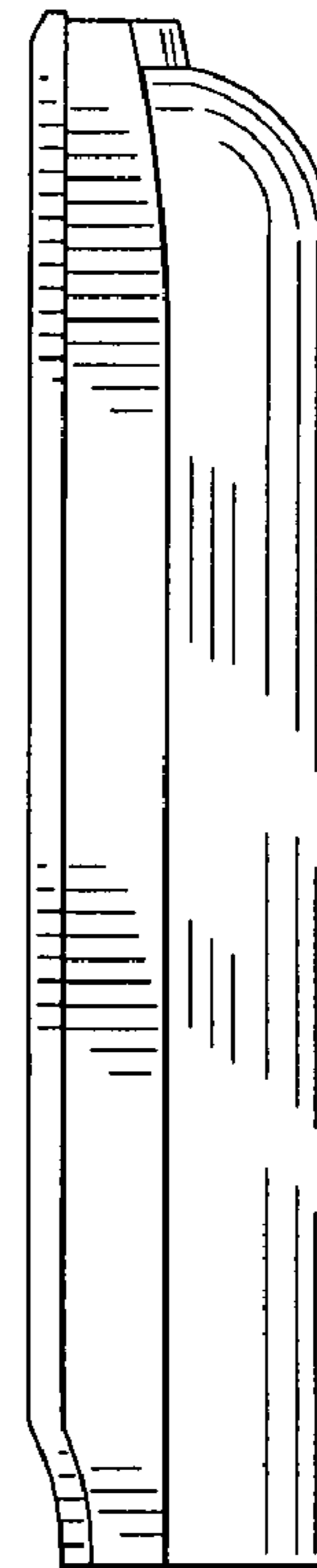


FIG.5

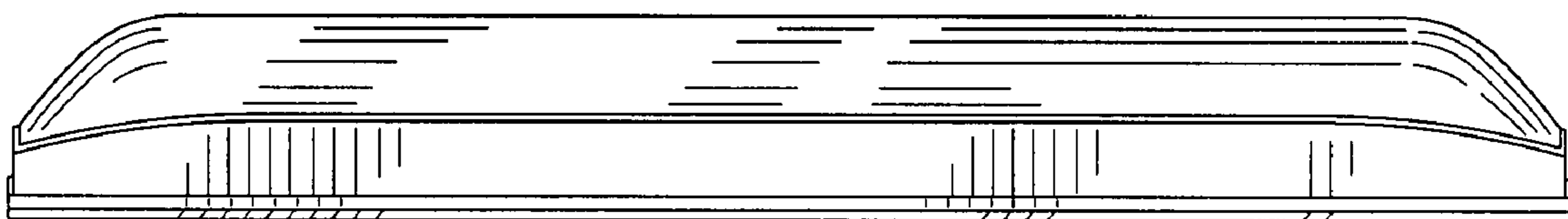


FIG.6

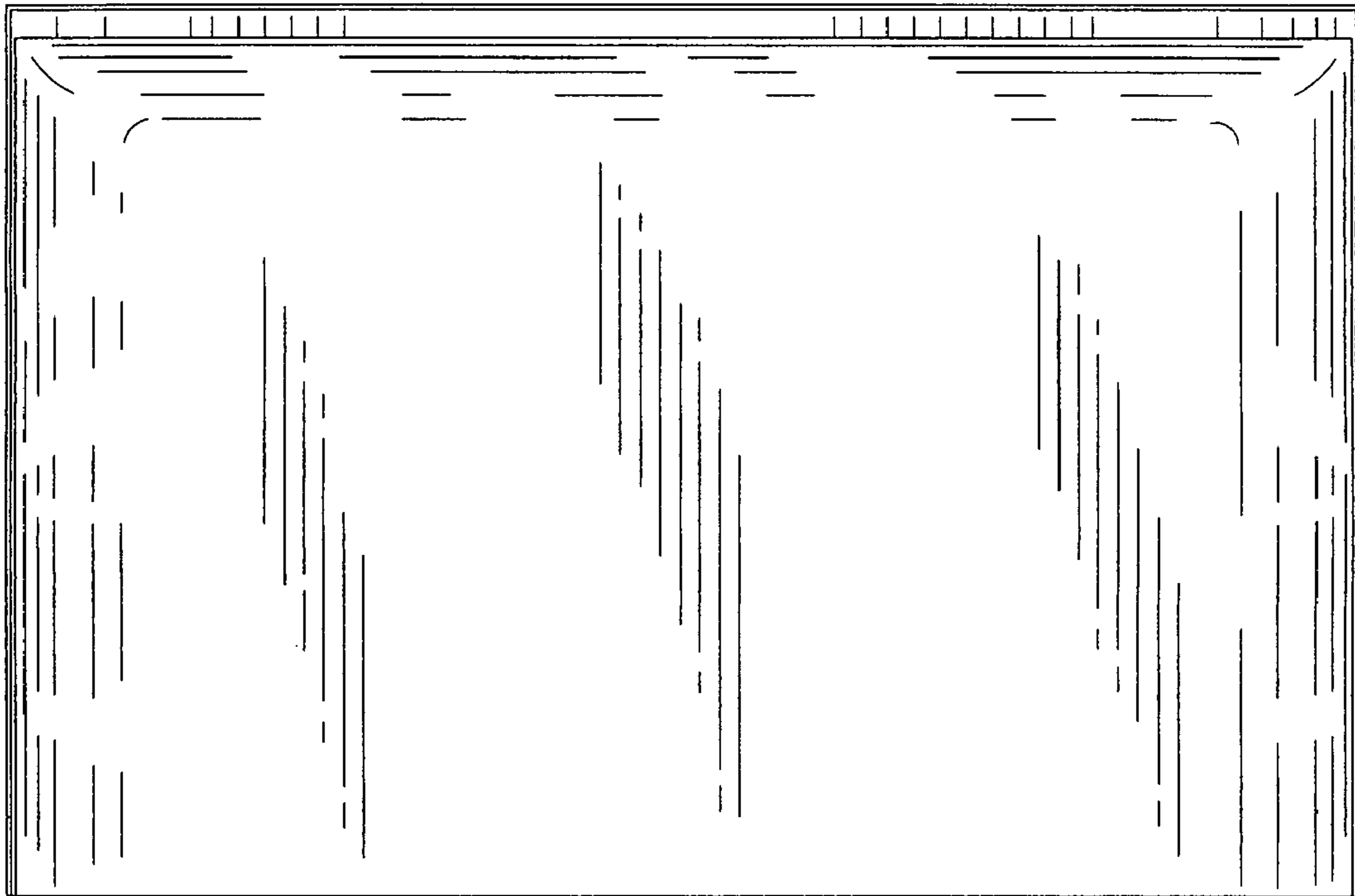


FIG.7

