



US00D568260S

(12) **United States Design Patent**
Chen

(10) **Patent No.:** **US D568,260 S**

(45) **Date of Patent:** **** May 6, 2008**

(54) **NOTEBOOK COMPUTER HEAT SINK**

(75) Inventor: **Deng-Hsi Chen**, Keelung (TW)

(73) Assignee: **Lian-Li Industrial Co., Ltd.**, Keelung (TW)

(**) Term: **14 Years**

(21) Appl. No.: **29/258,296**

(22) Filed: **Apr. 20, 2006**

(51) **LOC (8) Cl.** **13-03**

(52) **U.S. Cl.** **D13/179**

(58) **Field of Classification Search** D13/179;
165/80.3, 104.33, 151, 122, 185; 257/706,
257/707, 718-722; 361/687, 695, 697, 700,
361/702, 704, 709, 710, 711, 719

See application file for complete search history.

(56) **References Cited**

U.S. PATENT DOCUMENTS

2,434,676	A *	1/1948	Spender	165/182
D264,205	S *	5/1982	Logeman et al.	D13/179
5,558,155	A *	9/1996	Ito	165/80.3
6,340,056	B1 *	1/2002	Huang et al.	165/185

D496,006	S *	9/2004	Tsai et al.	D13/179
7,163,049	B2 *	1/2007	Zhong et al.	165/80.3
2006/0262507	A1 *	11/2006	Yu et al.	361/709
2007/0121291	A1 *	5/2007	Wang et al.	361/695

* cited by examiner

Primary Examiner—Selina Sikder

(74) *Attorney, Agent, or Firm*—Troxell Law Office, PLLC

(57) **CLAIM**

The ornamental design for a notebook computer heat sink, as shown and described.

DESCRIPTION

FIG. 1 is a perspective view of a notebook computer heat sink;

FIG. 2 is a front view thereof;

FIG. 3 is a back view thereof;

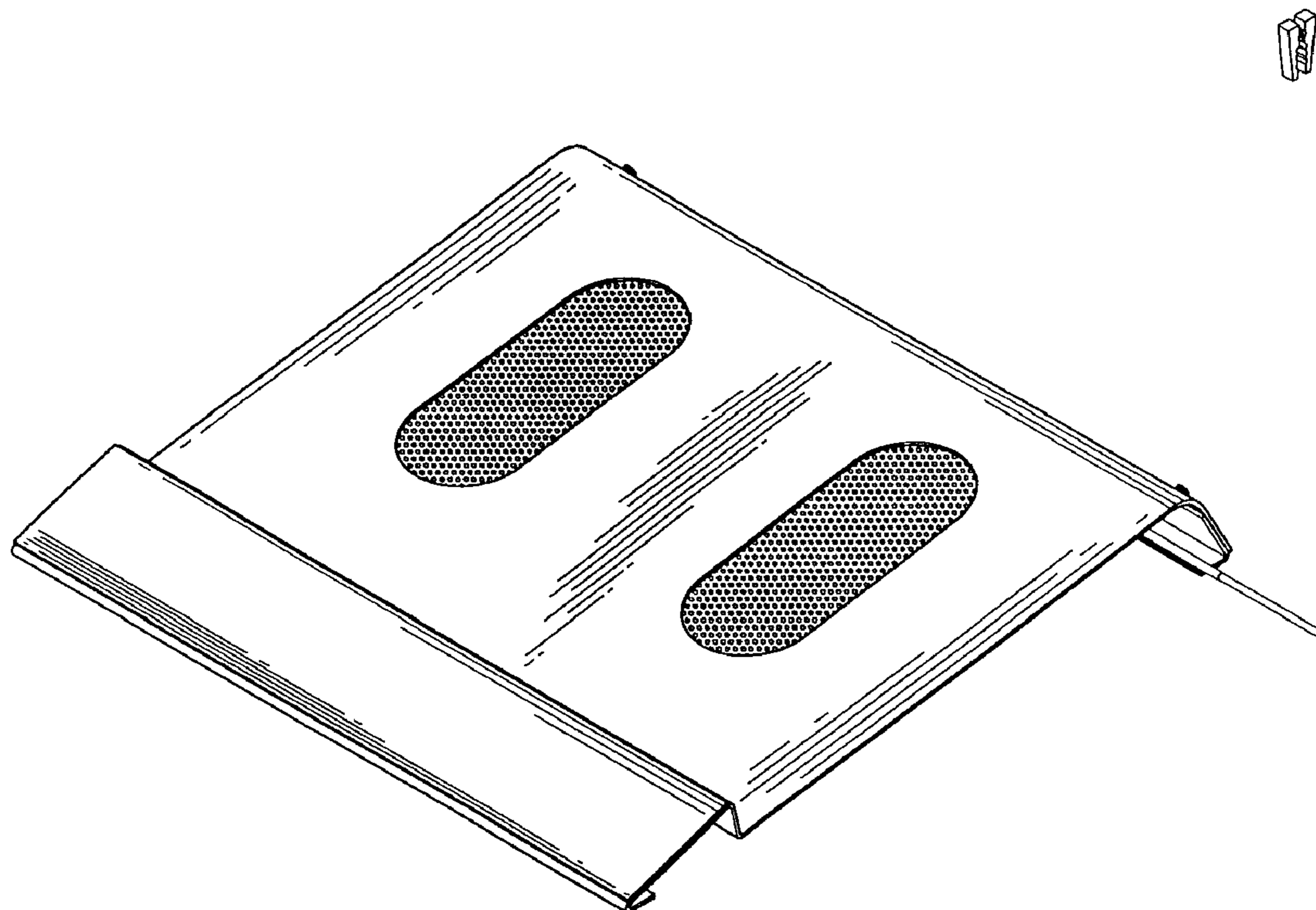
FIG. 4 is a left side view thereof;

FIG. 5 is a right side view thereof;

FIG. 6 is a top view thereof; and,

FIG. 7 is a bottom view thereof.

1 Claim, 4 Drawing Sheets



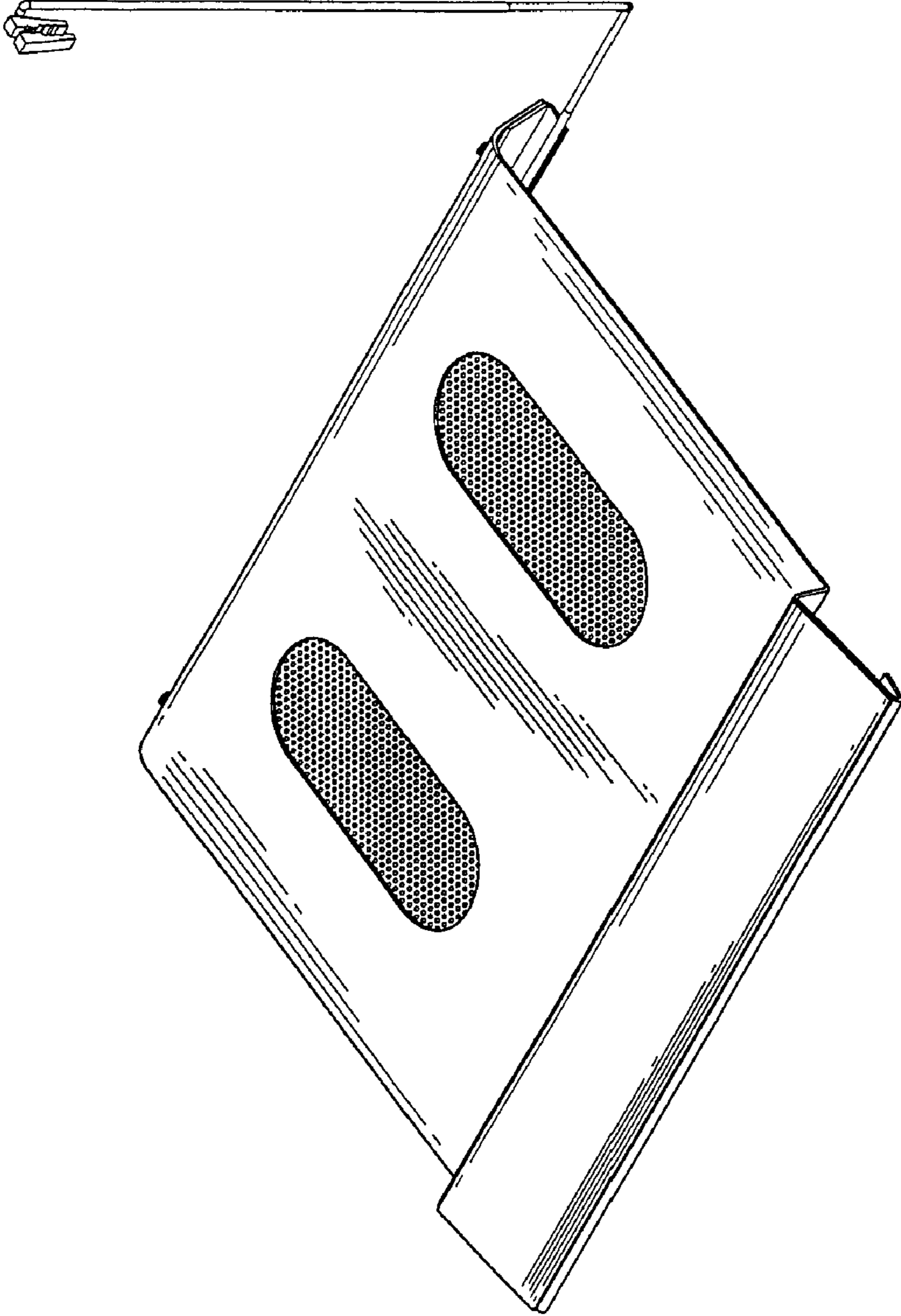


Fig. 1

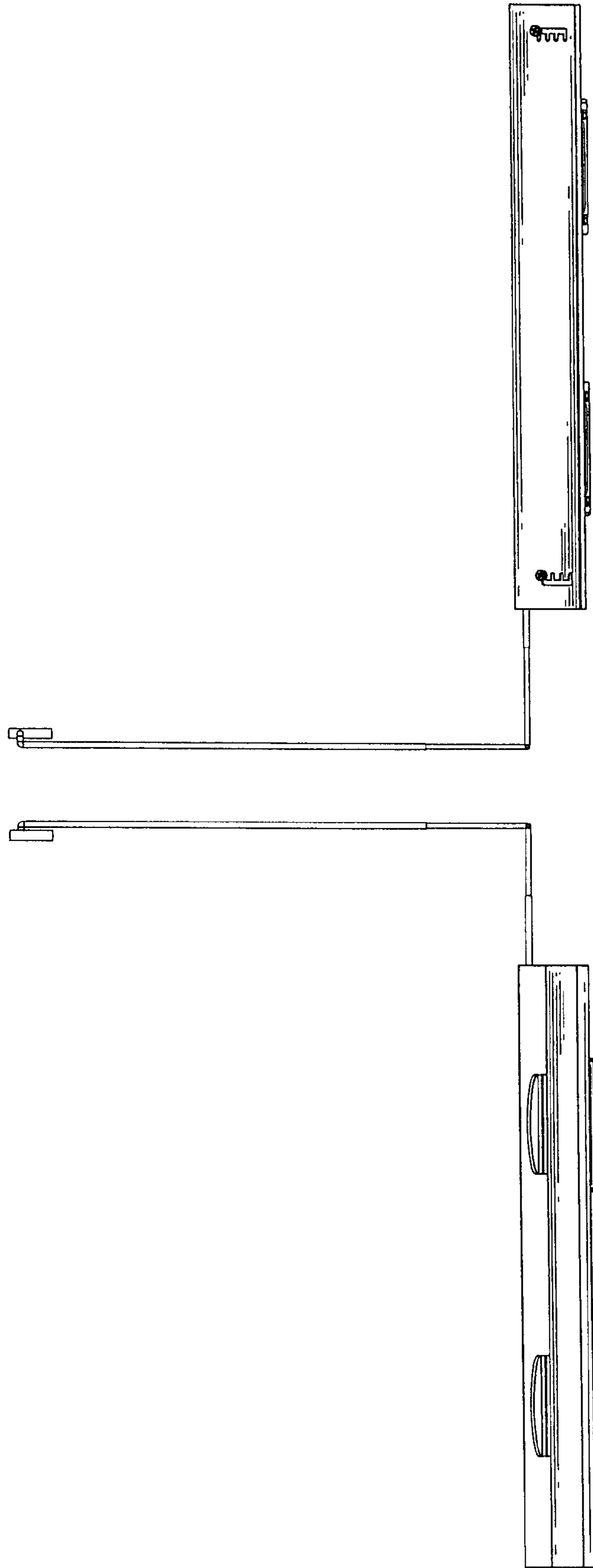


Fig. 3

Fig. 2

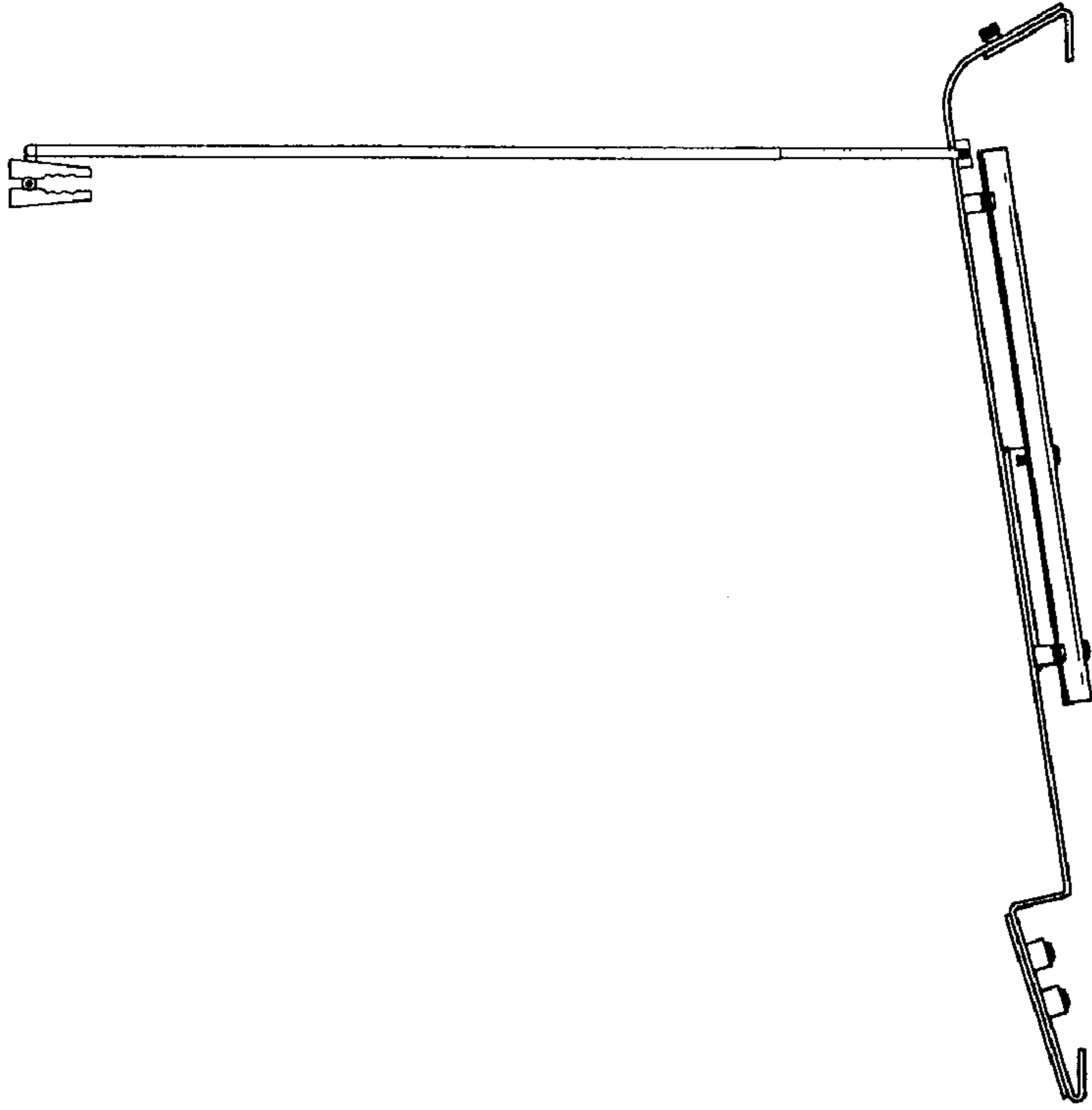


Fig. 5

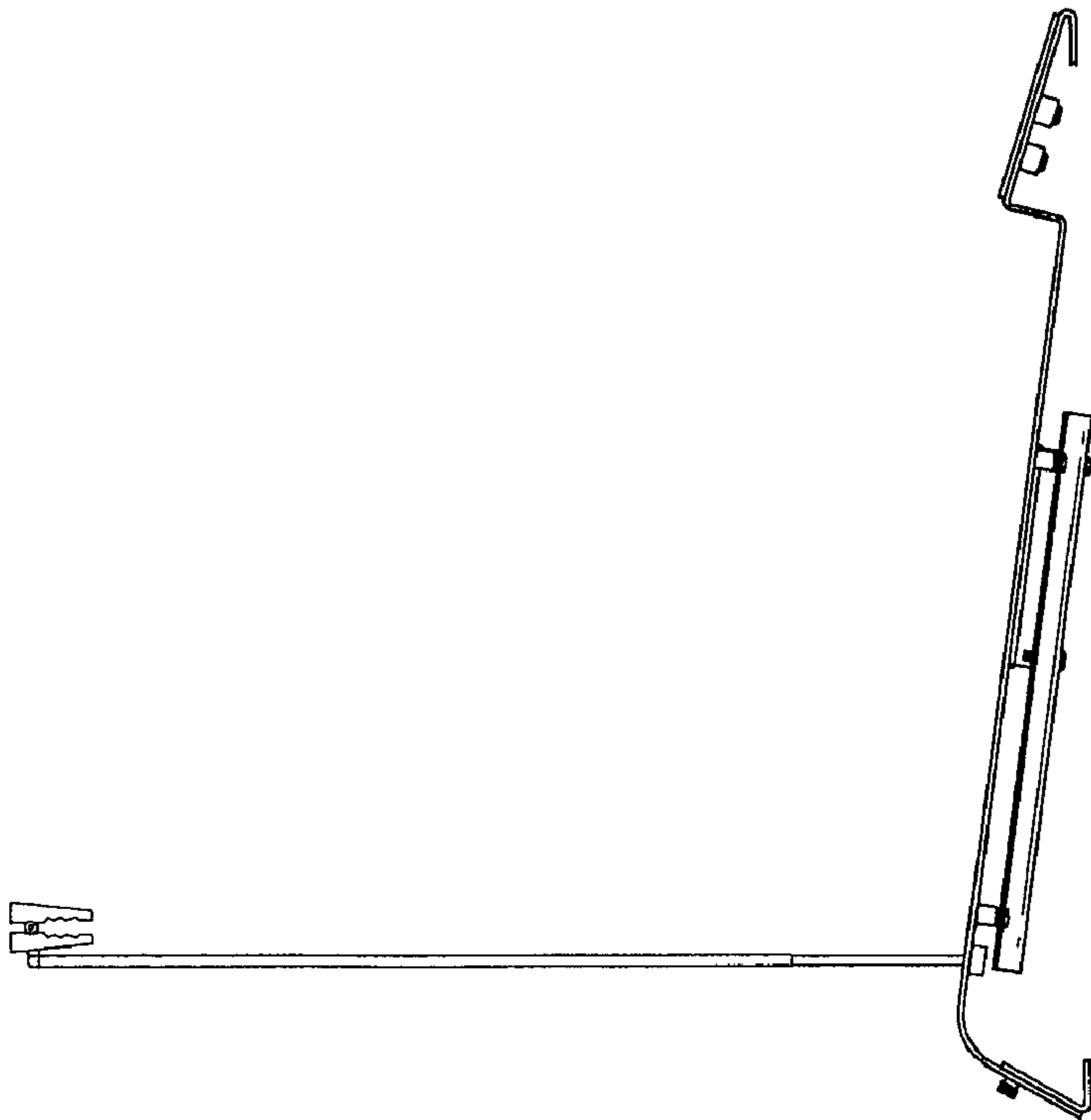


Fig. 4

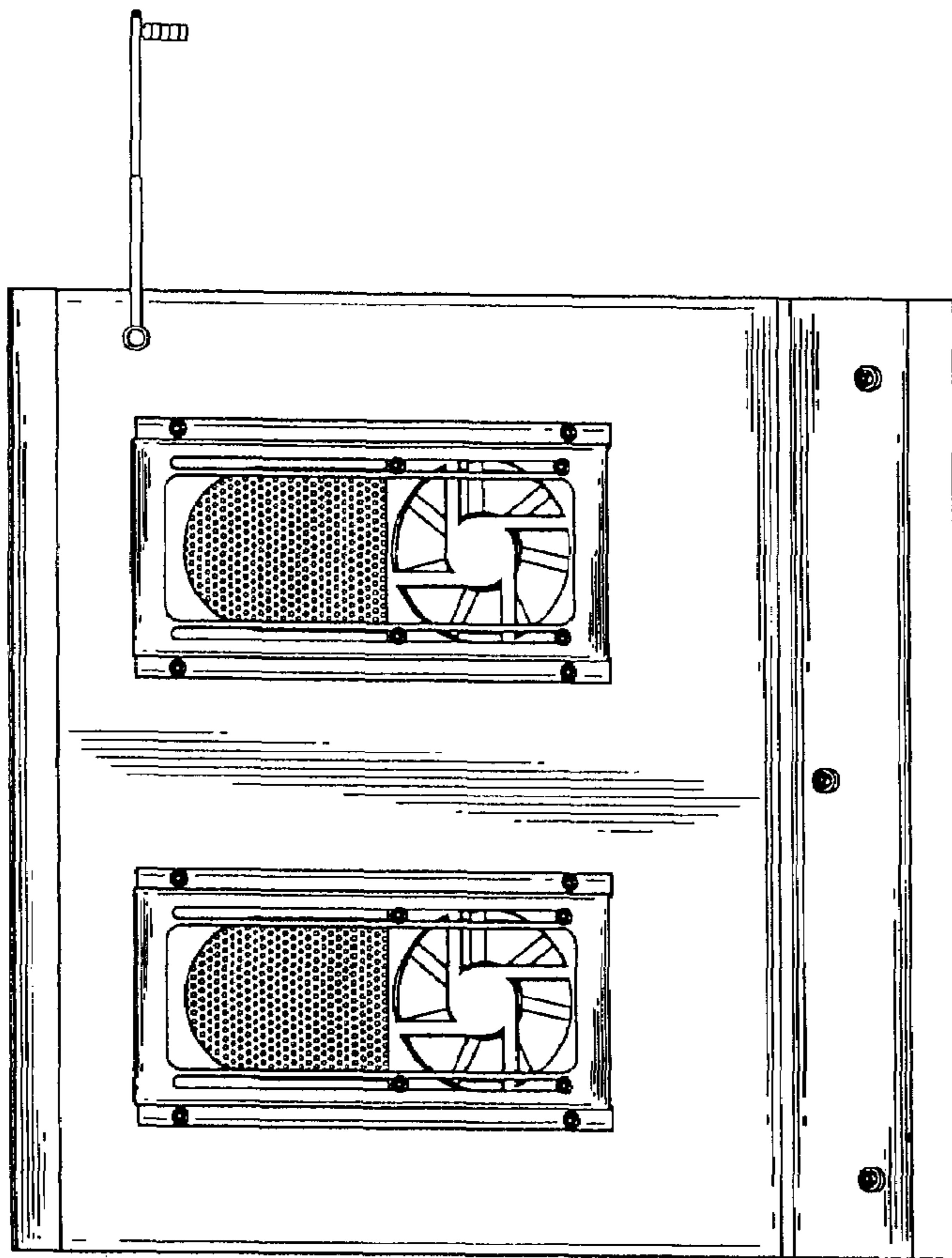


Fig. 7

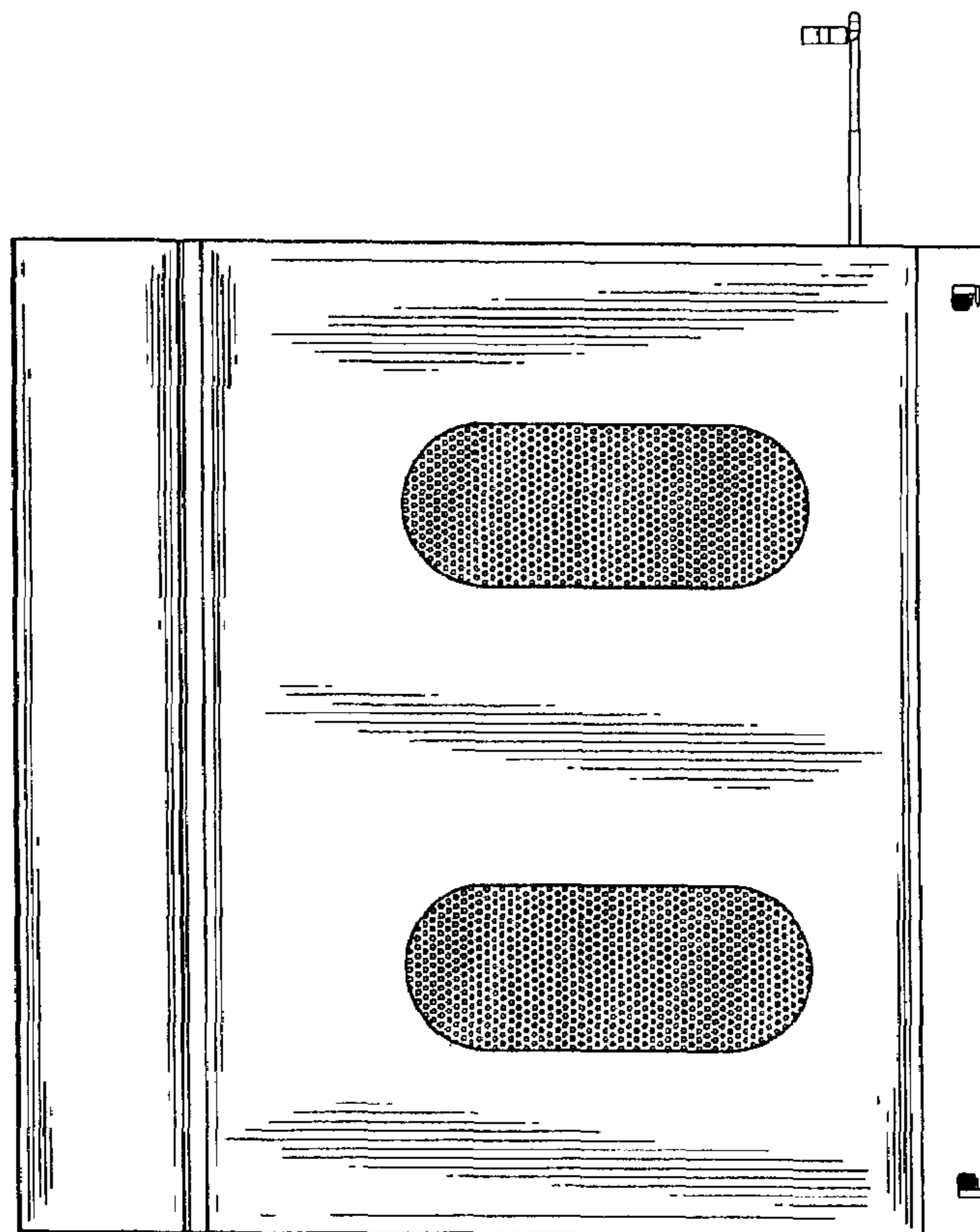


Fig. 6