



US00D568258S

(12) **United States Design Patent**
Adam

(10) **Patent No.:** **US D568,258 S**

(45) **Date of Patent:** **** May 6, 2008**

(54) **CONTROL UNIT**

(75) Inventor: **David Adam**, Brentwood, CA (US)

(73) Assignee: **Zeltiq Aesthetics, Inc.**, Pleasanton, CA (US)

(**) Term: **14 Years**

(21) Appl. No.: **29/278,729**

(22) Filed: **Apr. 6, 2007**

(51) **LOC (8) Cl.** **13-03**

(52) **U.S. Cl.** **D13/163**

(58) **Field of Classification Search** D13/162-164;
D10/46, 75; D14/104; D32/23; D6/419,
D6/440, 446; D24/107-108, 111, 144, 167,
D24/169, 172, 216; 600/103-104, 443; 604/4,
604/19, 22, 66, 93, 131-133; 606/32, 34,
606/41

See application file for complete search history.

(56) **References Cited**

U.S. PATENT DOCUMENTS

- D260,173 S * 8/1981 Wiebe D24/167
- D362,091 S * 9/1995 Tomasiak et al. D32/23
- D399,493 S * 10/1998 Nakajima et al. D13/163
- D471,982 S * 3/2003 Cheng D24/164

- D525,592 S * 7/2006 Nguyen D13/163
- D546,949 S * 7/2007 Green D24/164
- D550,362 S * 9/2007 Olivera et al. D24/185

* cited by examiner

Primary Examiner—Daniel Bui

Assistant Examiner—Thomas J Johannes

(74) *Attorney, Agent, or Firm*—Perkins Coie LLP

(57) **CLAIM**

The ornamental design for a control unit, as shown and described.

DESCRIPTION

FIG. 1 is a front, top, perspective view of a control unit showing my new design.

FIG. 2 is a right side view thereof.

FIG. 3 is a front elevational view thereof.

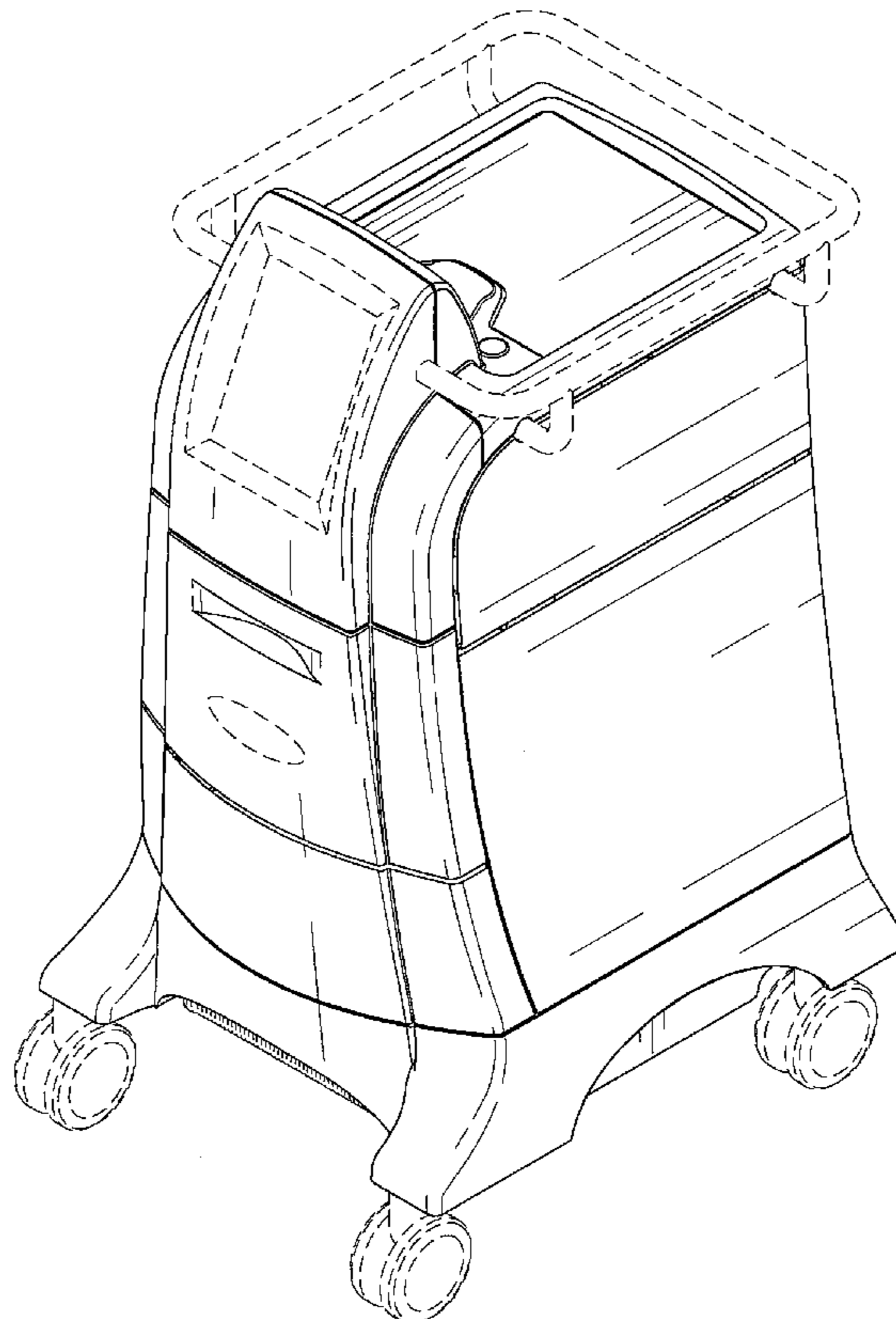
FIG. 4 is a rear elevational view thereof.

FIG. 5 is a top plan view thereof; and,

FIG. 6 is a bottom plan view thereof.

The broken line showing in the figure drawings is included for illustrative purposes only and forms no part of the claimed design.

1 Claim, 5 Drawing Sheets



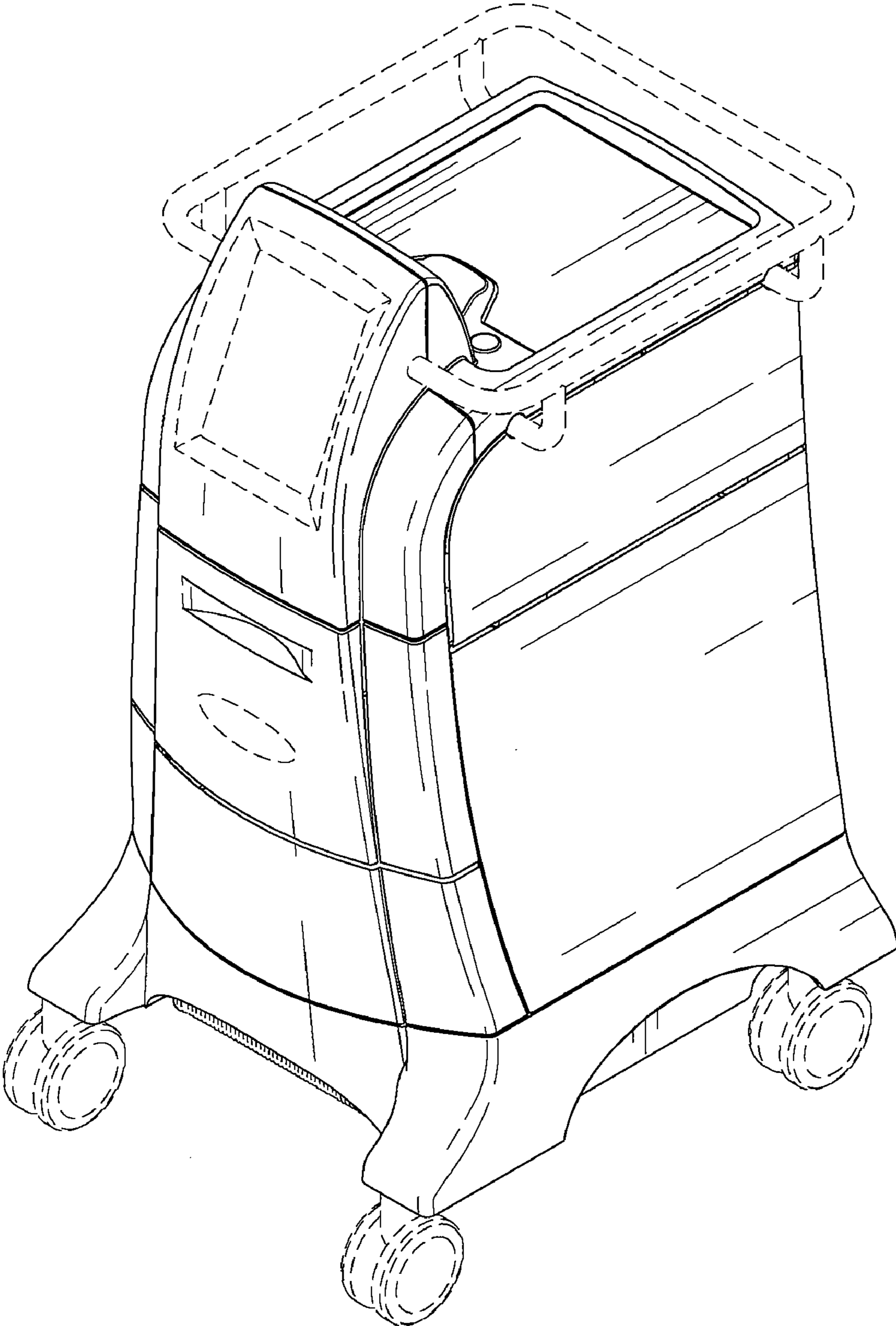


Fig. 1

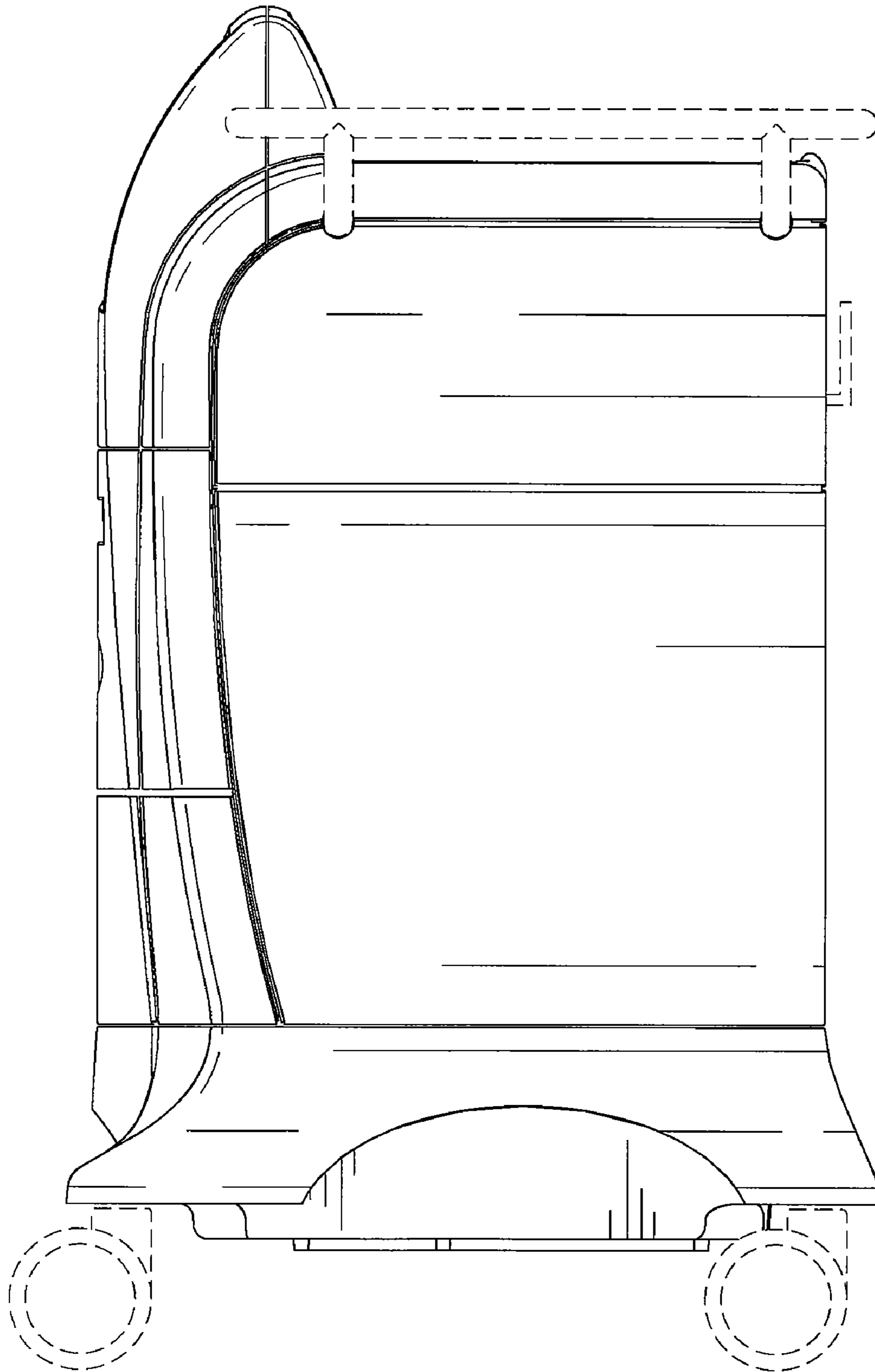


Fig. 2

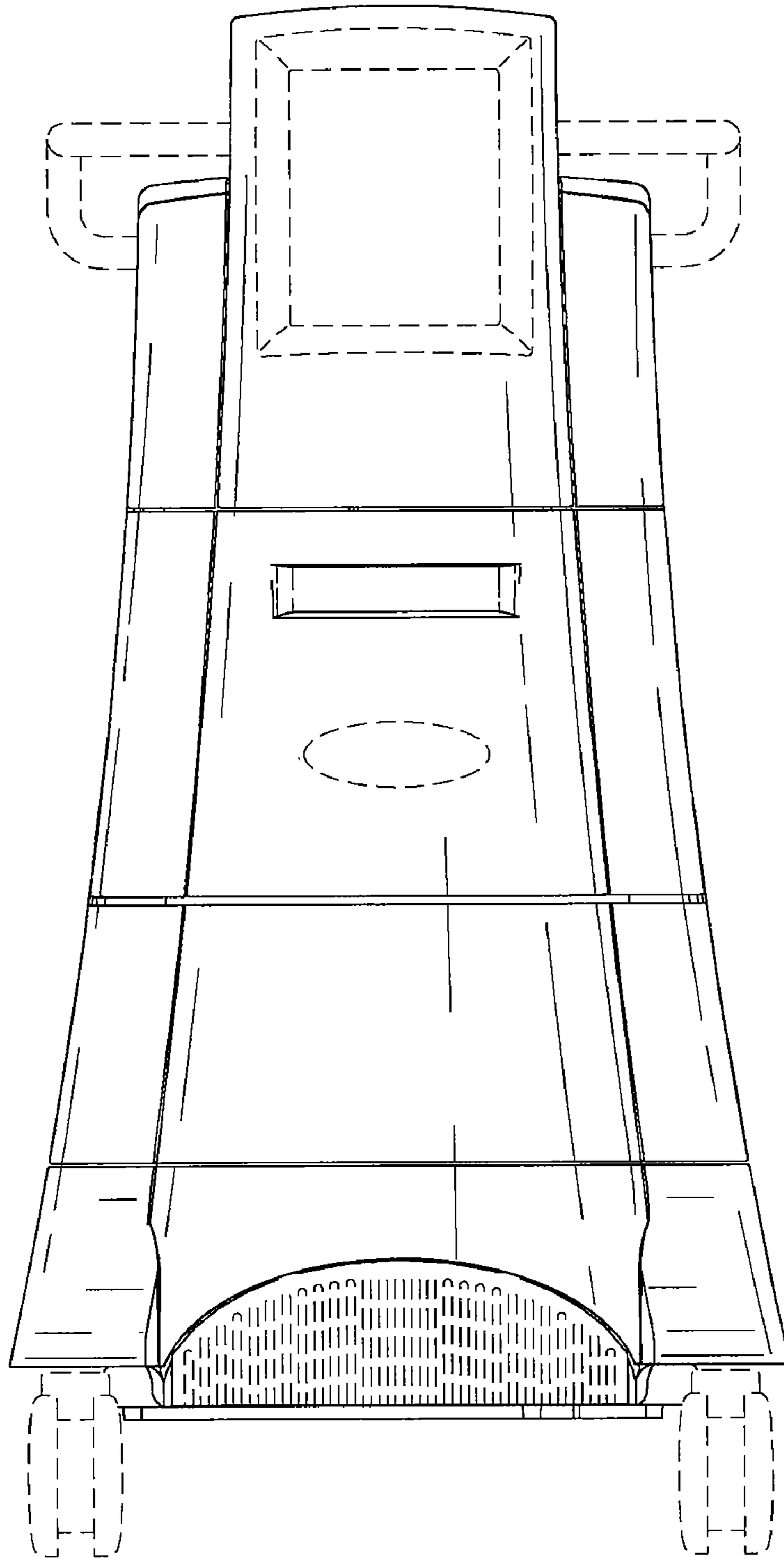


Fig. 3

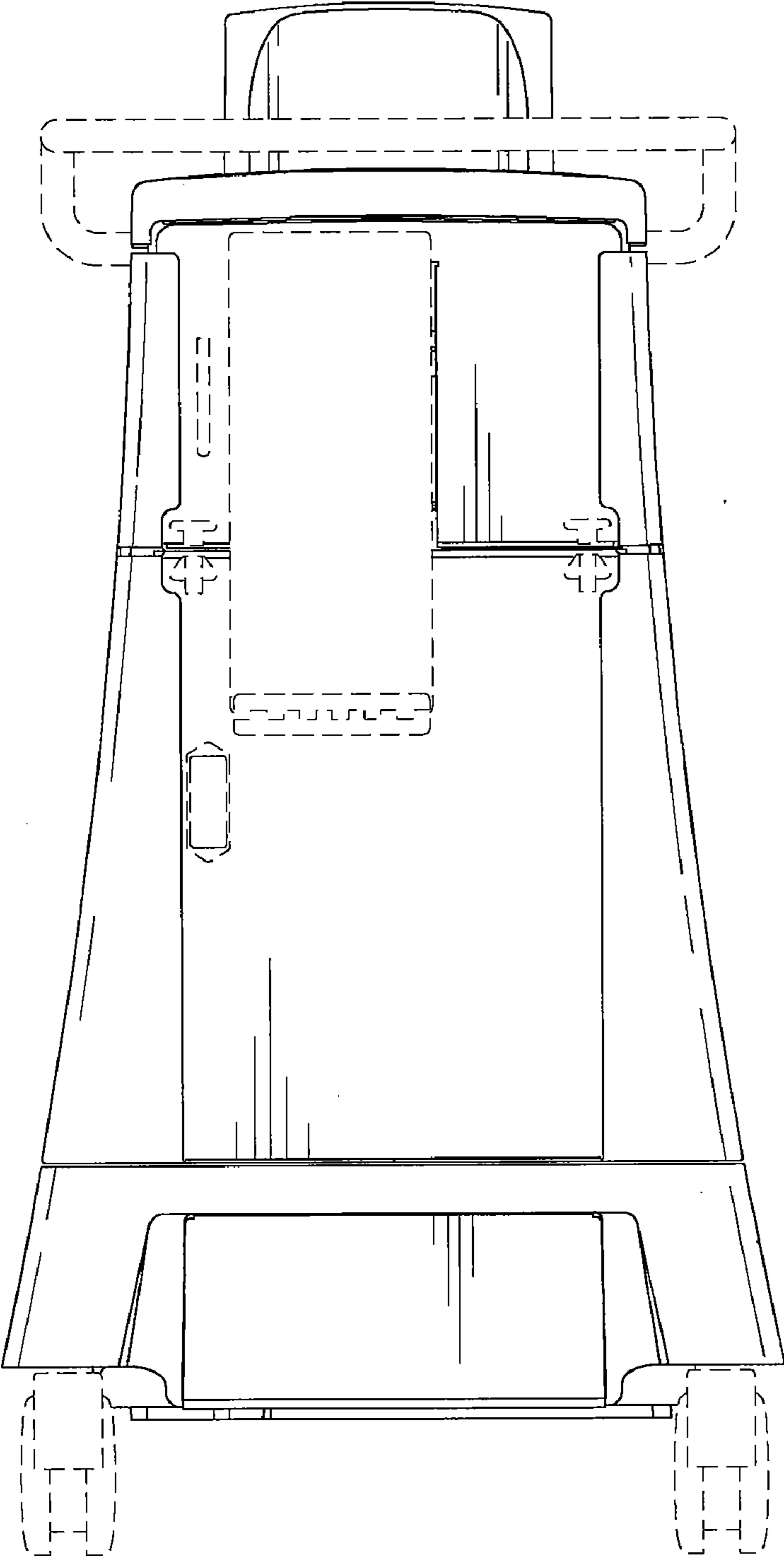


Fig. 4

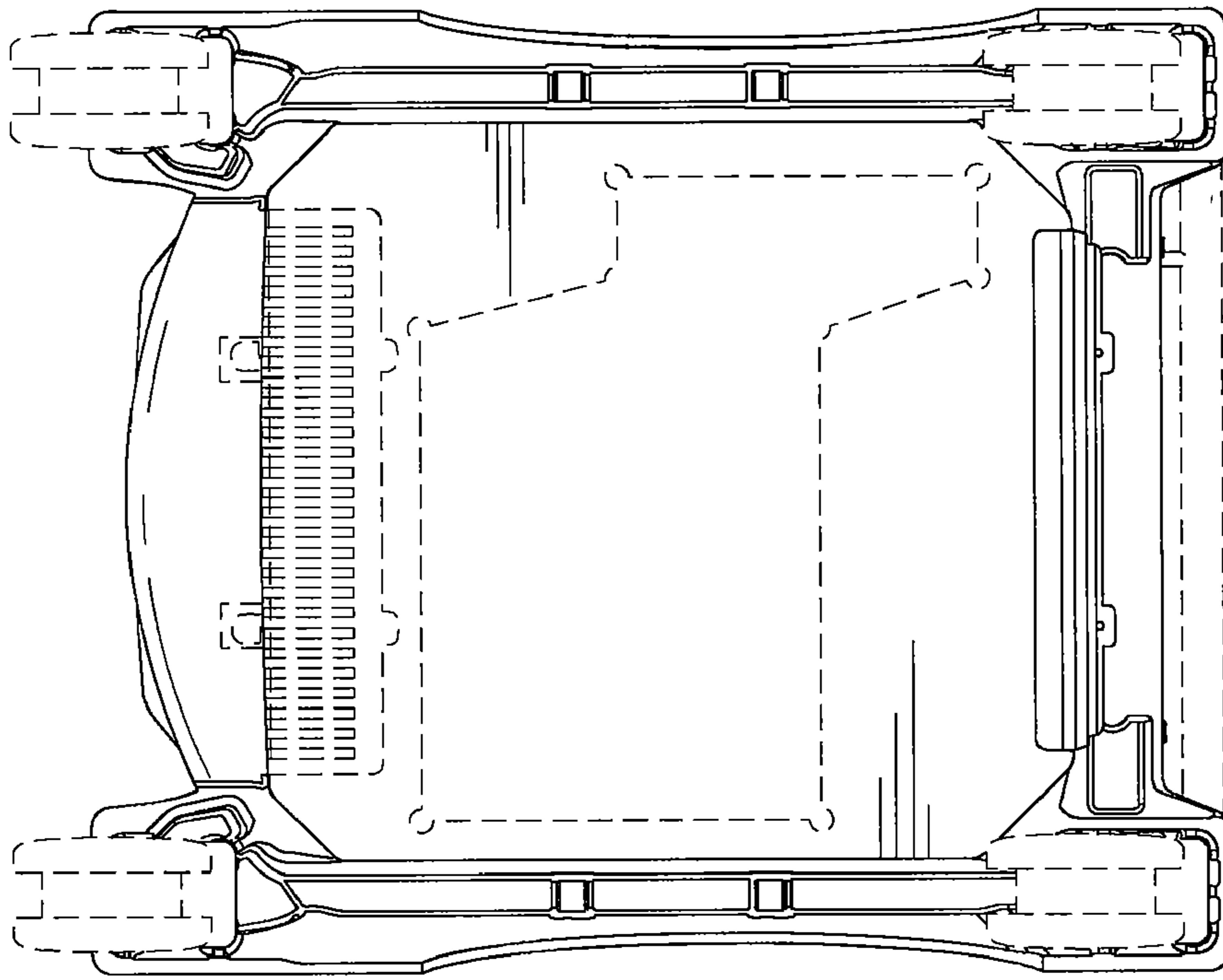


Fig. 6

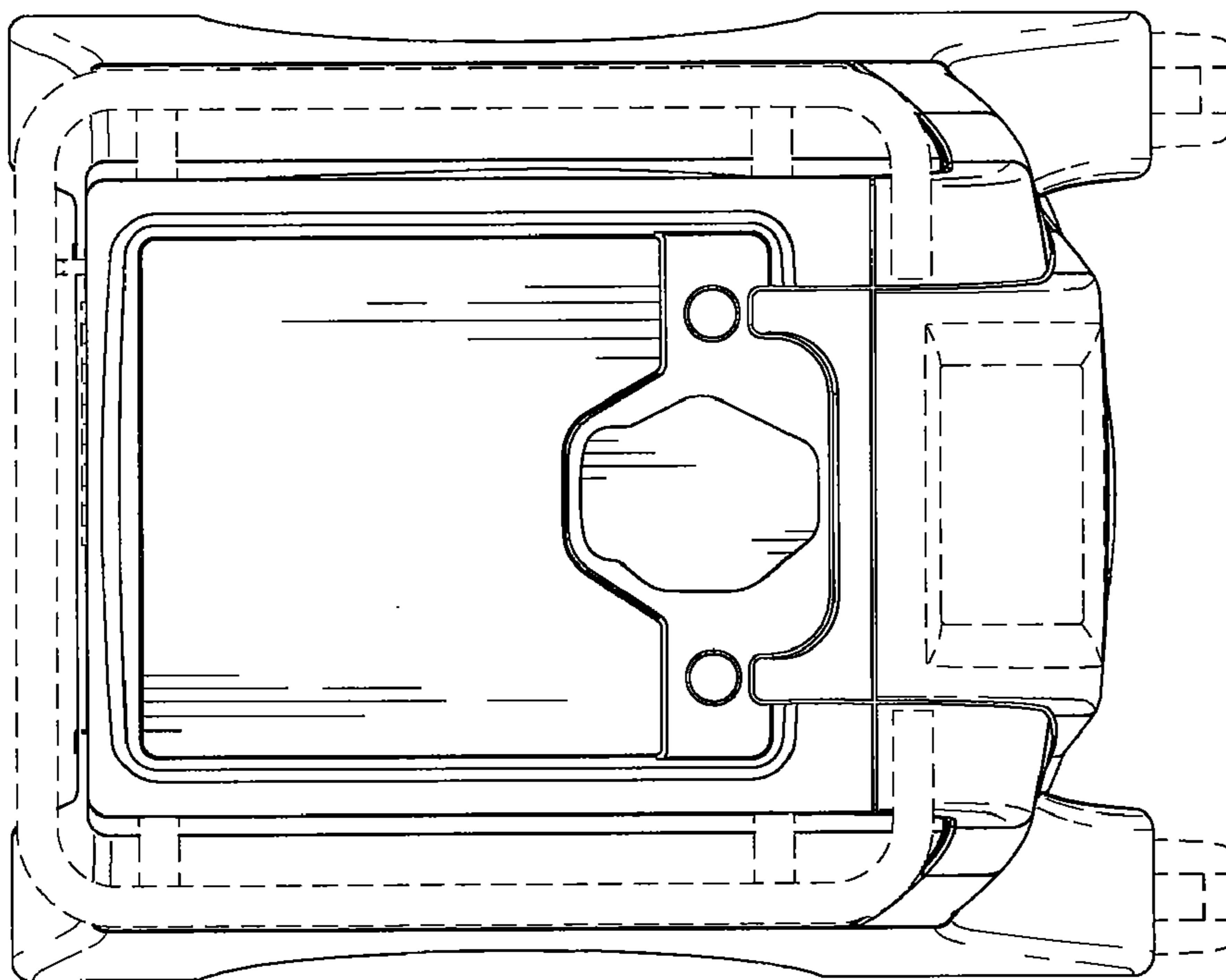


Fig. 5

UNITED STATES PATENT AND TRADEMARK OFFICE
CERTIFICATE OF CORRECTION

PATENT NO. : Des. 568,258 S
APPLICATION NO. : 29/278729
DATED : May 6, 2008
INVENTOR(S) : Adam

Page 1 of 1

It is certified that error appears in the above-identified patent and that said Letters Patent is hereby corrected as shown below:

On the Title Page, under "Description", in column 2, line 1, after "front," insert -- right, --.

Signed and Sealed this

Twenty-ninth Day of July, 2008

A handwritten signature in black ink that reads "Jon W. Dudas". The signature is written in a cursive style with a large, looped initial "J".

JON W. DUDAS
Director of the United States Patent and Trademark Office