



US00D568257S

(12) **United States Design Patent**  
**Tatsuyama et al.**

(10) **Patent No.: US D568,257 S**  
(45) **Date of Patent: \*\* May 6, 2008**

(54) **LIQUID CRYSTAL DISPLAY FOR PANEL CONTROLLER**

D546,824 S \* 7/2007 Jackson, Jr. .... D14/341

**FOREIGN PATENT DOCUMENTS**

(75) Inventors: **Kouchi Tatsuyama**, Tokyo (JP); **Tohru Nishi**, Tokyo (JP); **Satoru Nozaki**, Tokyo (JP); **Tatsuzo Hayashi**, Tokyo (JP)

JP HC17053782 6/2005  
JP 2006-00857 6/2006

\* cited by examiner

(73) Assignee: **Mitsubishi Electric Engineering Company, Limited**, Tokyo (JP)

*Primary Examiner*—Selina Sikder  
*Assistant Examiner*—Thomas J Johannes

(74) *Attorney, Agent, or Firm*—Rothwell, Figg, Ernst & Manbeck, P.C.

(\*\*) Term: **14 Years**

(21) Appl. No.: **29/259,866**

(57) **CLAIM**

(22) Filed: **May 17, 2006**

The ornamental design of a liquid crystal display for panel controller, as shown and described.

(30) **Foreign Application Priority Data**

**DESCRIPTION**

Jan. 18, 2006 (JP) ..... 2006-000857

(51) **LOC (8) Cl.** ..... **13-03**

(52) **U.S. Cl.** ..... **D13/162**

(58) **Field of Classification Search** ..... D13/125,  
D13/158–177, 184, 199; D8/353; 174/66;  
D10/40, 50; D14/126, 341, 374  
See application file for complete search history.

The present article is a liquid crystal display for a panel controller for mainly vehicle-mounted applications. As shown in the perspective view showing the usage condition, the present article is used by operating a liquid crystal screen thereof equipped with a touch panel after inserting the present article into a cradle. The present article can be removed from the cradle so that it can be carried.

FIG. 1 is a front elevational view of the invention.

FIG. 2 is a rear elevational view of the invention.

FIG. 3 is a left-side elevational view of the invention.

FIG. 4 is a right-side elevational view of the invention.

FIG. 5 is a top plan view of the invention.

FIG. 6 is a bottom plan view of the invention; and,

FIG. 7 is a perspective view of the invention.

Broken lines are included for illustrative purposes only and form no part of the claimed design.

(56) **References Cited**

**U.S. PATENT DOCUMENTS**

D345,346 S \* 3/1994 Alfonso et al. .... D14/341  
D361,552 S \* 8/1995 Iino ..... D14/341  
D363,709 S \* 10/1995 Matsumoto ..... D14/374  
D386,099 S \* 11/1997 Billington ..... D10/75  
D453,333 S \* 2/2002 Chen ..... D14/374  
D454,565 S \* 3/2002 Harriman ..... D14/374  
D458,602 S \* 6/2002 Hasegawa et al. .... D14/374  
D494,583 S \* 8/2004 Guerrero et al. .... D14/336  
D518,744 S \* 4/2006 Rosen ..... D10/50  
D524,809 S \* 7/2006 Alcouloumre et al. .... D14/341

**1 Claim, 6 Drawing Sheets**

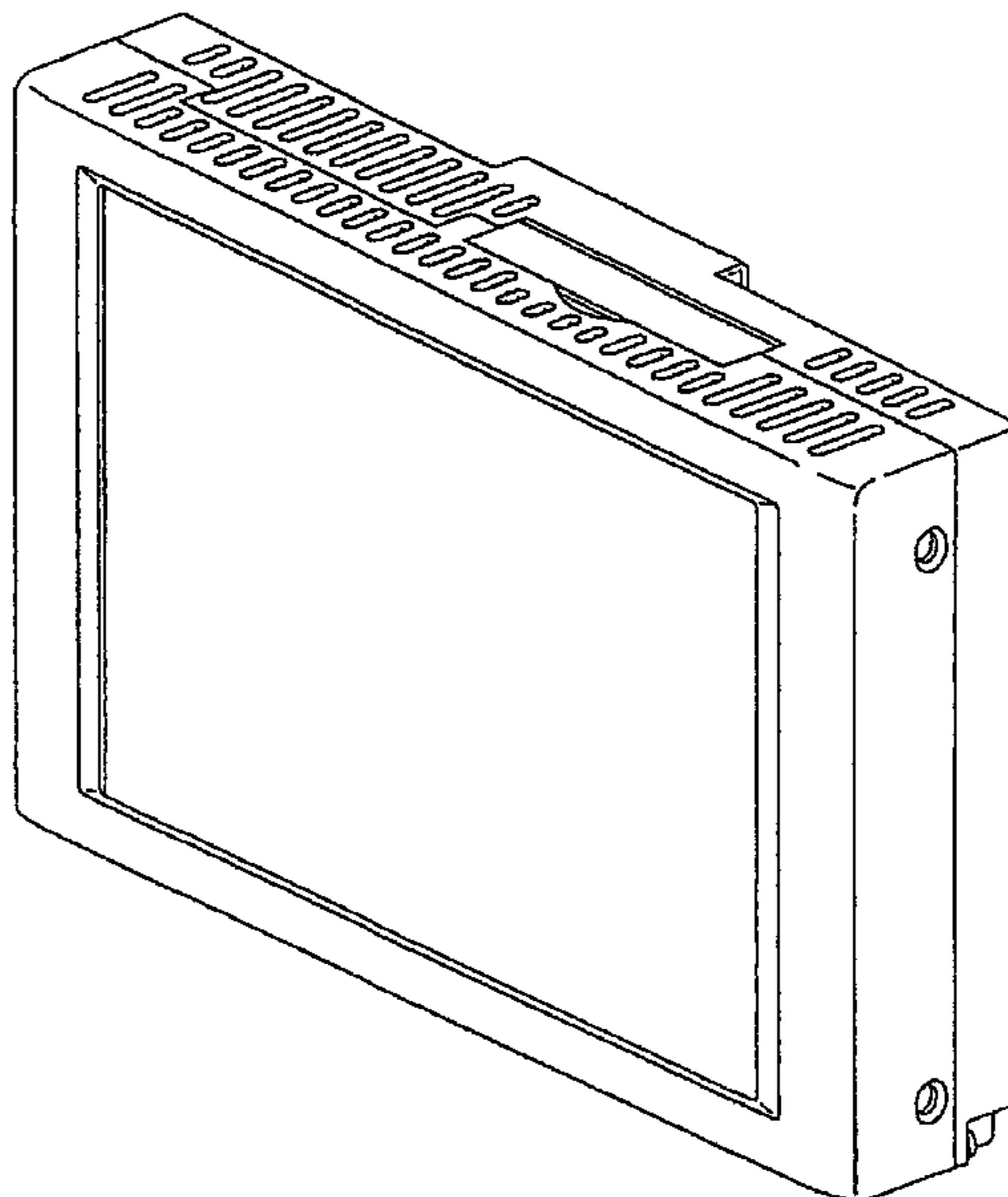


FIG. 1

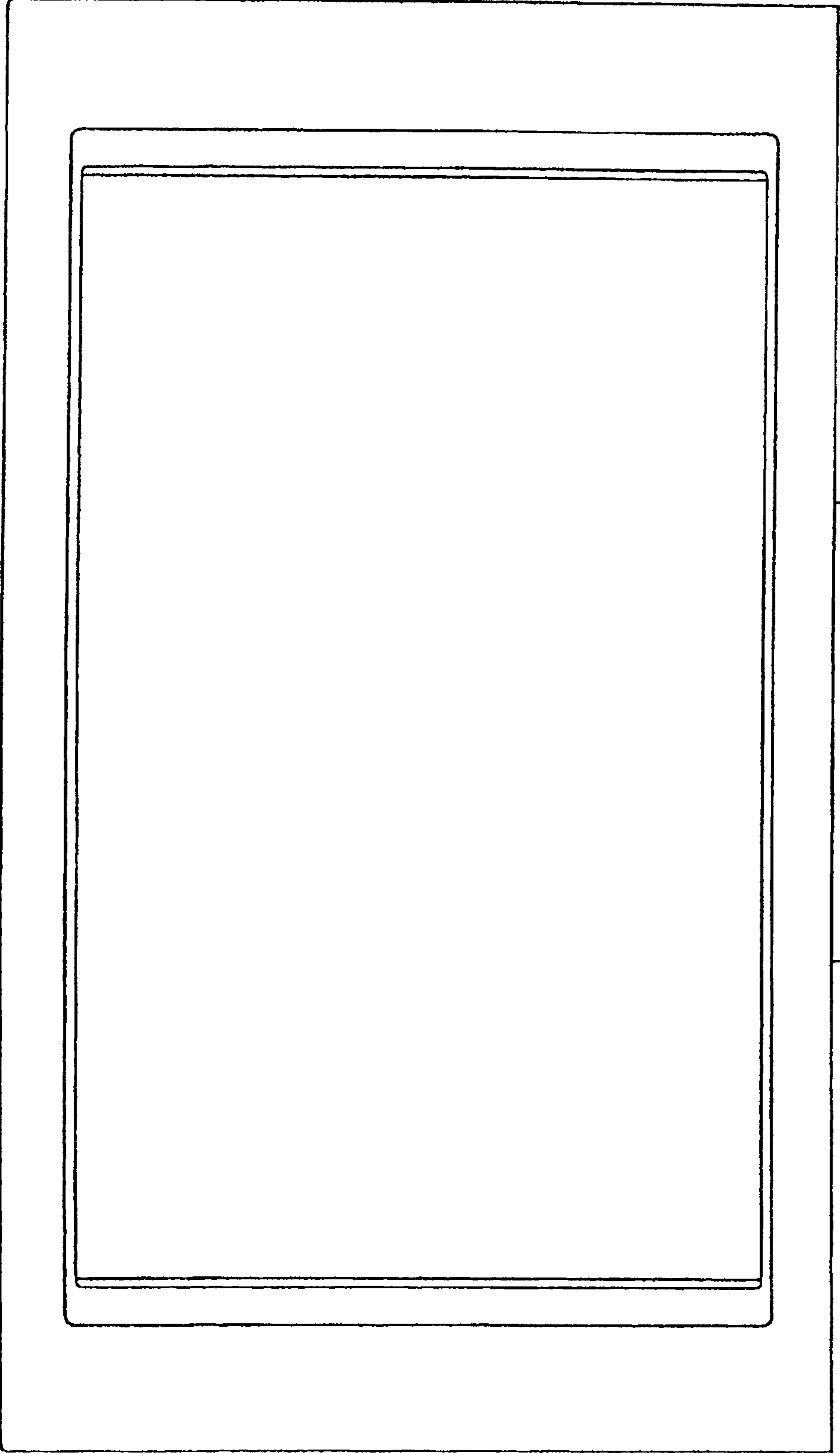
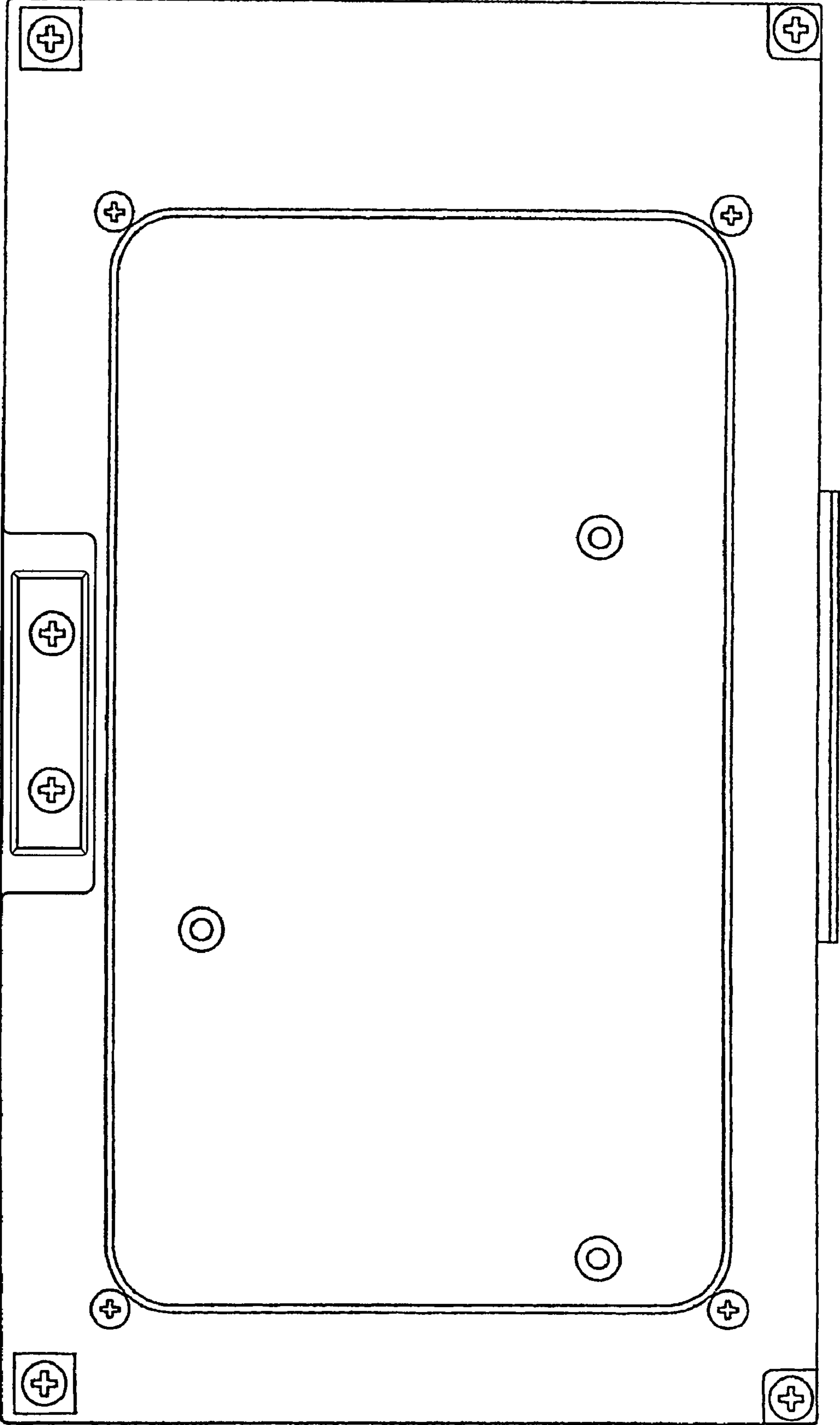


FIG. 2



# FIG. 3

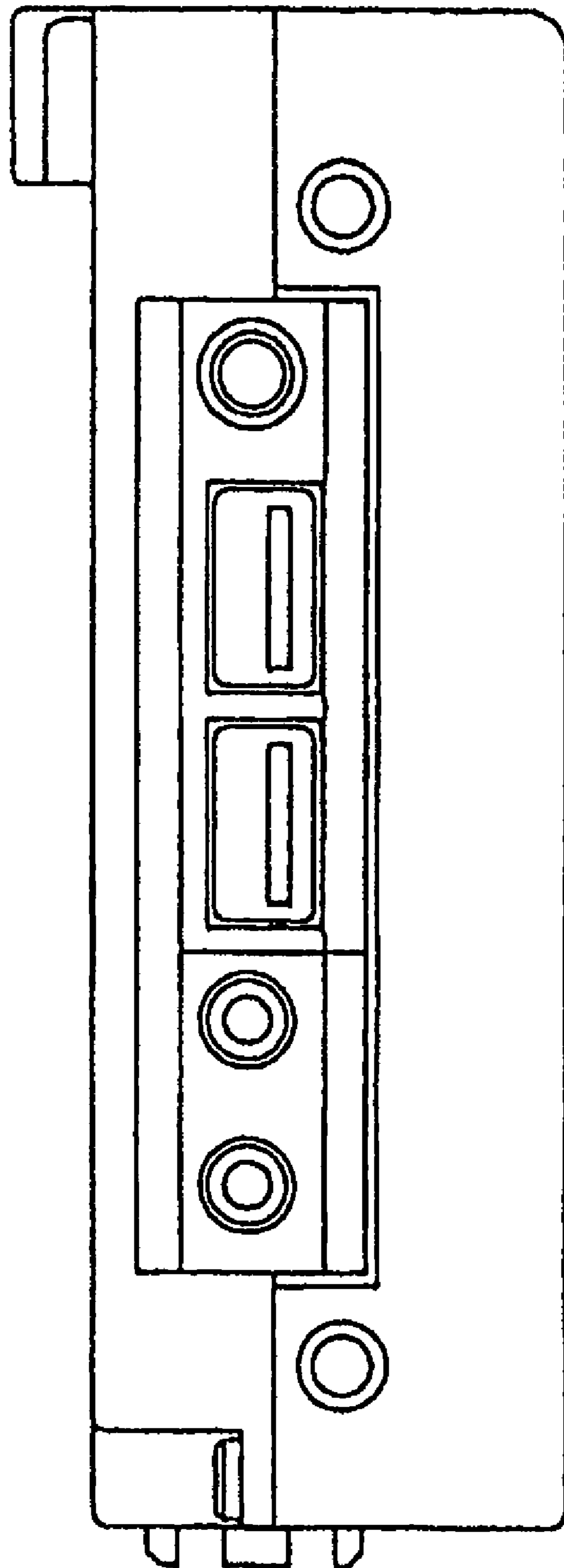


FIG. 4

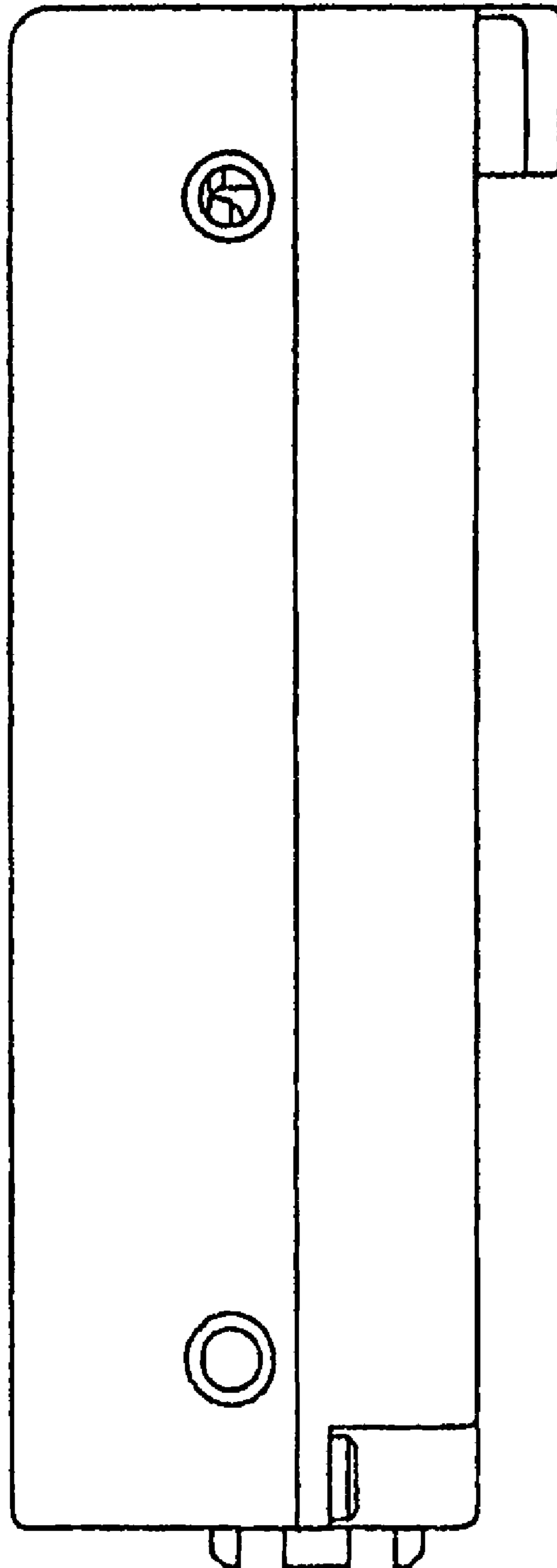


FIG. 5

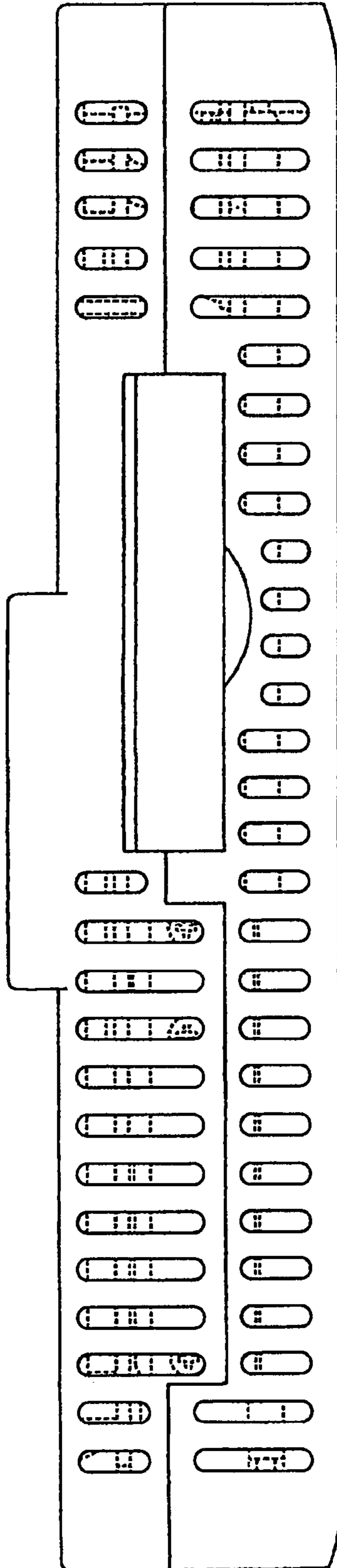


FIG. 6

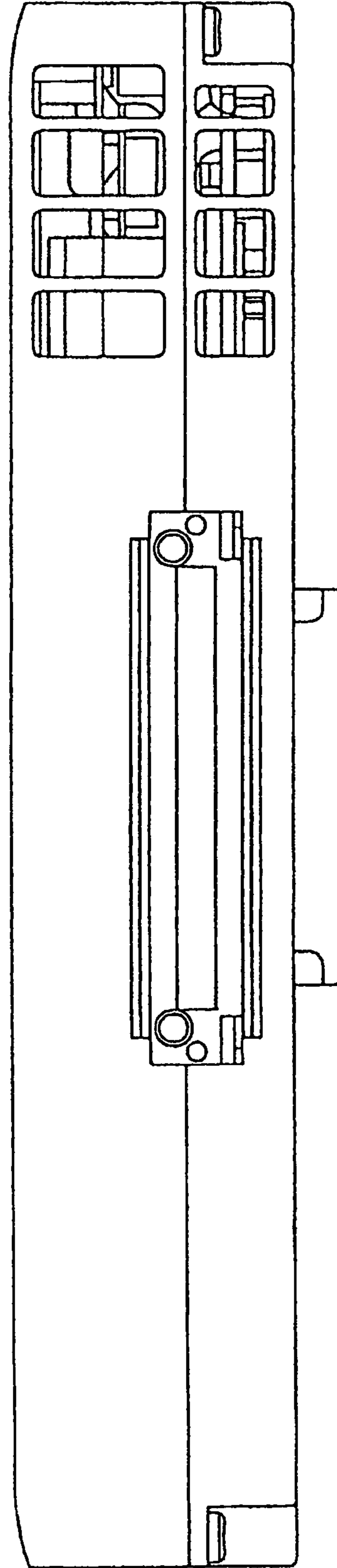
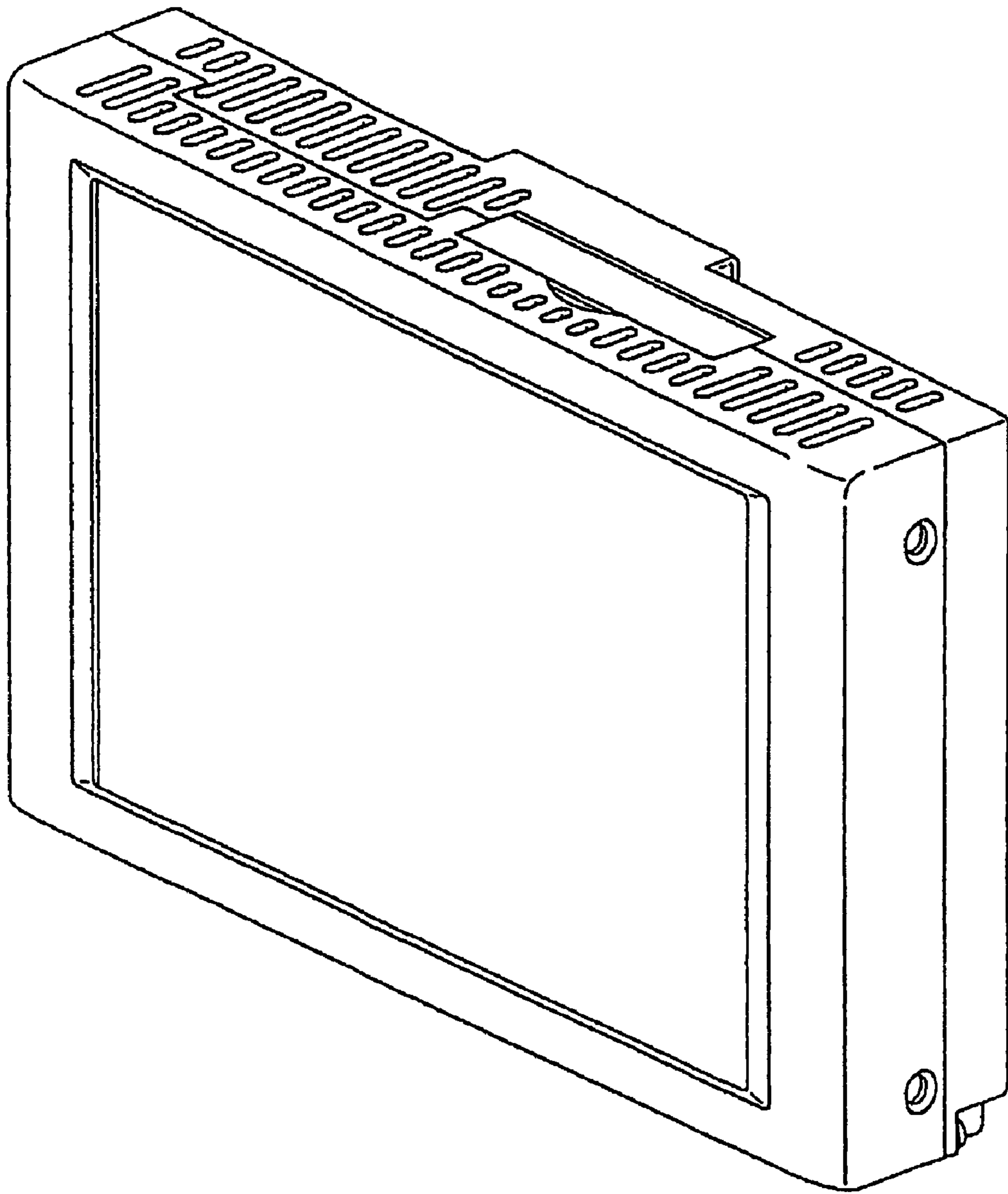


FIG. 7





UNITED STATES PATENT AND TRADEMARK OFFICE  
**CERTIFICATE OF CORRECTION**

PATENT NO. : Des. 568,257 S  
APPLICATION NO. : 29/259866  
DATED : May 6, 2008  
INVENTOR(S) : Kouichi Tatsuyama et al.

Page 1 of 1

It is certified that error appears in the above-identified patent and that said Letters Patent is hereby corrected as shown below:

Title Page, Item (75) Inventors:

Delete "Kouchi" and insert -- Kouichi --.

Delete "Tokyo" and insert -- Tatsuyama (JP) --.

Signed and Sealed this

Sixteenth Day of September, 2008

A handwritten signature in black ink that reads "Jon W. Dudas". The signature is written in a cursive style with a large, looped initial "J".

JON W. DUDAS

*Director of the United States Patent and Trademark Office*