



US00D568256S

(12) **United States Design Patent**  
**Asada**

(10) **Patent No.:** **US D568,256 S**  
(45) **Date of Patent:** **\*\* May 6, 2008**

- (54) **SWITCH**
- (75) Inventor: **Makoto Asada, Yao (JP)**
- (73) Assignee: **Hosiden Corporation, Osaka (JP)**
- (\*\*) Term: **14 Years**
- (21) Appl. No.: **29/285,670**
- (22) Filed: **Apr. 5, 2007**
- (30) **Foreign Application Priority Data**  
Oct. 11, 2006 (JP) ..... 2006-027442
- (51) **LOC (8) Cl.** ..... **13-03**
- (52) **U.S. Cl.** ..... **D13/158; D13/171**
- (58) **Field of Classification Search** ..... D13/158,  
D13/171, 174; 200/1 B, 5 A, 6 R, 293-297,  
200/314, 315, 341, 344, 406, 513, 520, 523,  
200/530  
See application file for complete search history.

6,140,596 A \* 10/2000 Tsay ..... 200/406  
 6,995,324 B2 \* 2/2006 Asada ..... 200/1 B  
 D533,144 S \* 12/2006 Asada ..... D13/171  
 7,250,581 B2 \* 7/2007 Asada ..... 200/341

**FOREIGN PATENT DOCUMENTS**

JP D-1266409 2/2006

\* cited by examiner

*Primary Examiner*—Daniel Bui  
*Assistant Examiner*—Thomas J Johannes  
 (74) *Attorney, Agent, or Firm*—The Webb Law Firm

(57) **CLAIM**

The ornamental design of a switch, as shown and described.

**DESCRIPTION**

FIG. 1 is a front view of a switch in accordance with the present invention;  
 FIG. 2 is a rear view thereof;  
 FIG. 3 is a left side view thereof;  
 FIG. 4 is a right side view thereof;  
 FIG. 5 is a top plan view thereof;  
 FIG. 6 is a bottom plan view thereof; and,  
 FIG. 7 is a perspective view thereof.

The broken line showing in the figure drawings is included for illustrative purposes only and forms no part of the claimed design.

**1 Claim, 7 Drawing Sheets**

(56) **References Cited**  
U.S. PATENT DOCUMENTS

- D294,344 S \* 2/1988 Troutman et al. .... D13/158
- D297,727 S \* 9/1988 Saito ..... D13/171
- D301,136 S \* 5/1989 Saito ..... D13/171
- 4,843,197 A \* 6/1989 Kojima et al. .... 200/406
- 4,987,278 A \* 1/1991 Tsutsumi ..... 200/294
- 5,245,147 A \* 9/1993 Kobayashi ..... 200/520
- 5,760,352 A \* 6/1998 Ishihara et al. .... 200/16 D
- 5,828,016 A \* 10/1998 Grannan et al. .... 200/16 R
- 5,898,147 A \* 4/1999 Domzalski et al. .... 200/1 B

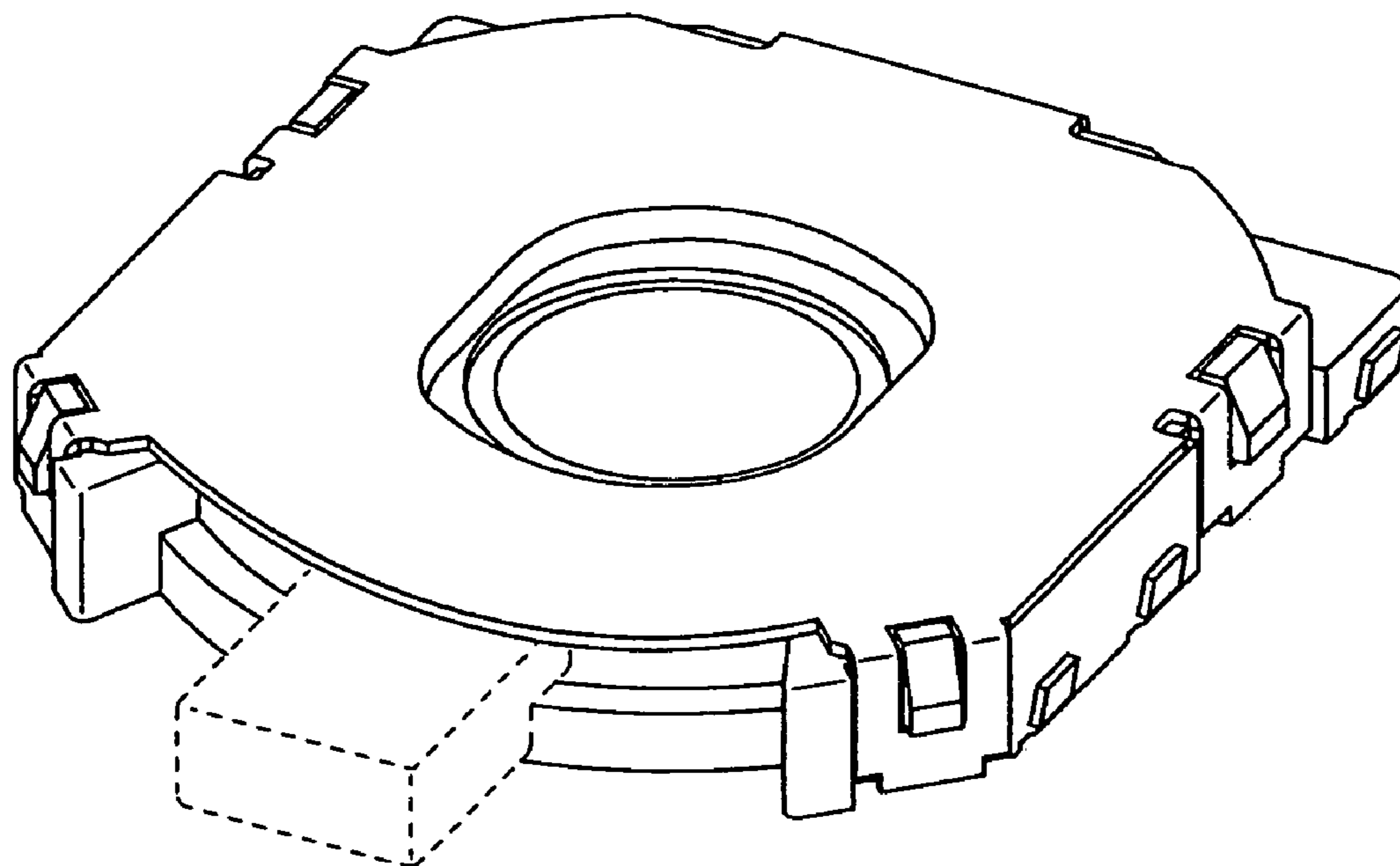
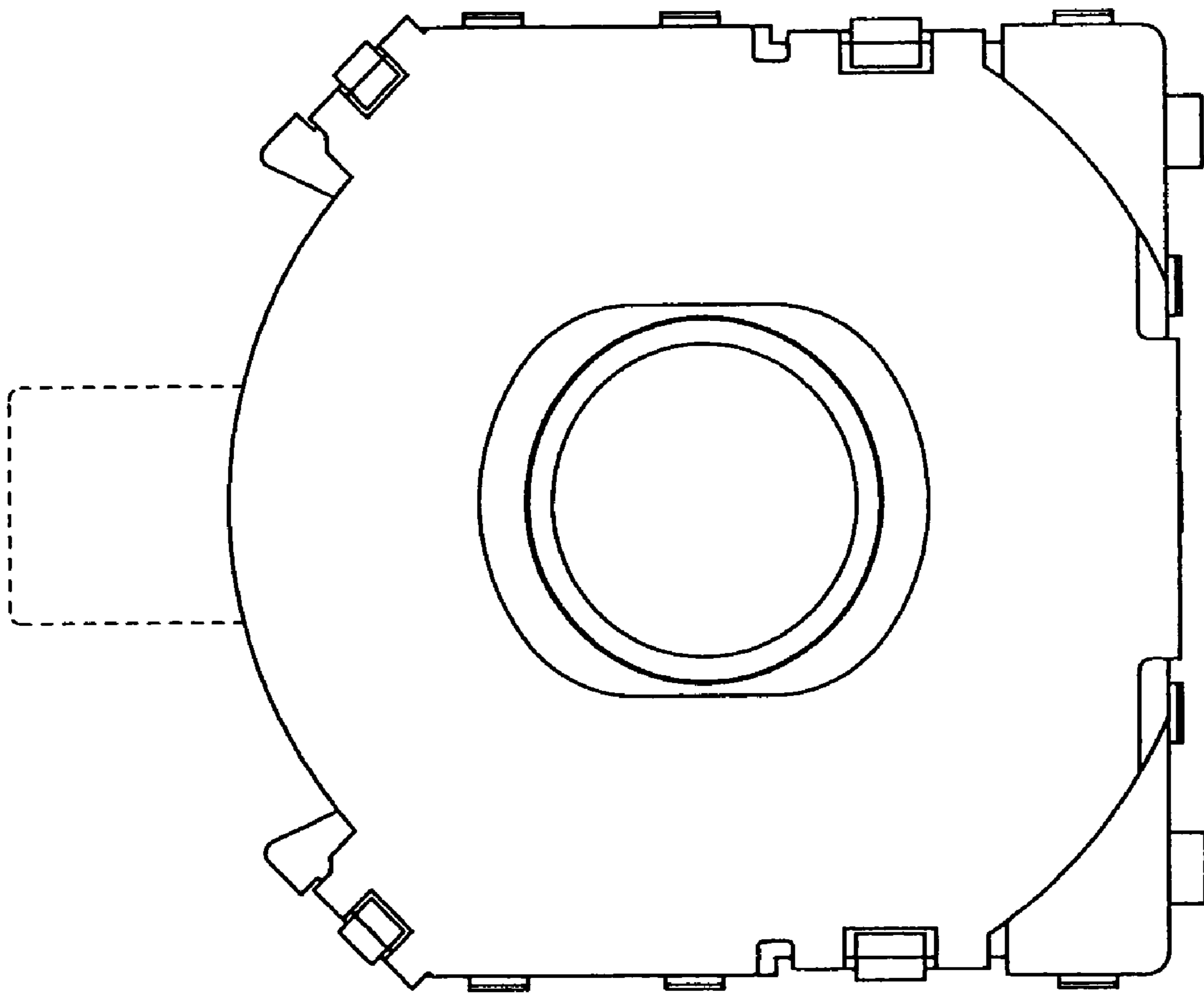
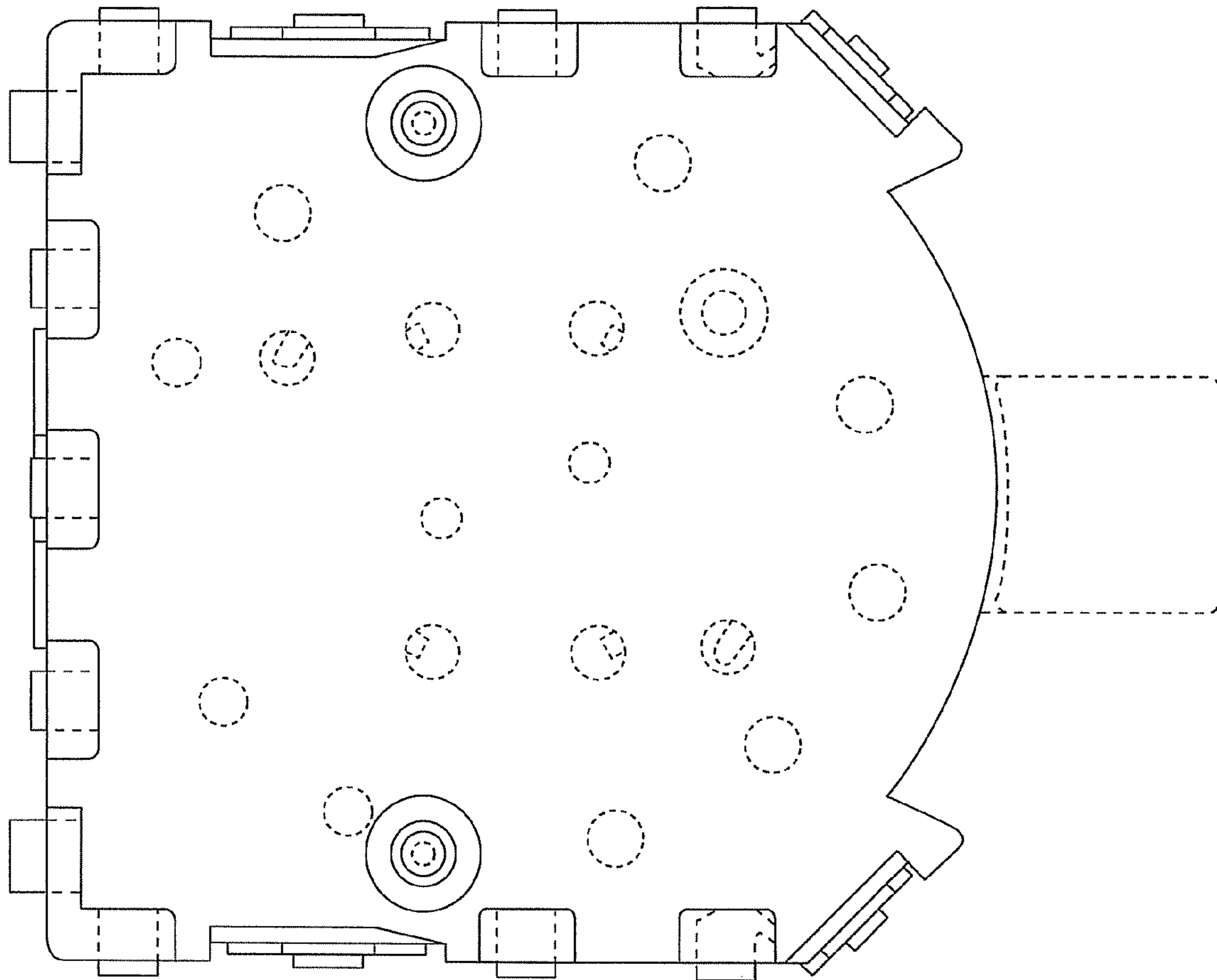


Fig. 1





**FIG. 2**

Fig. 3

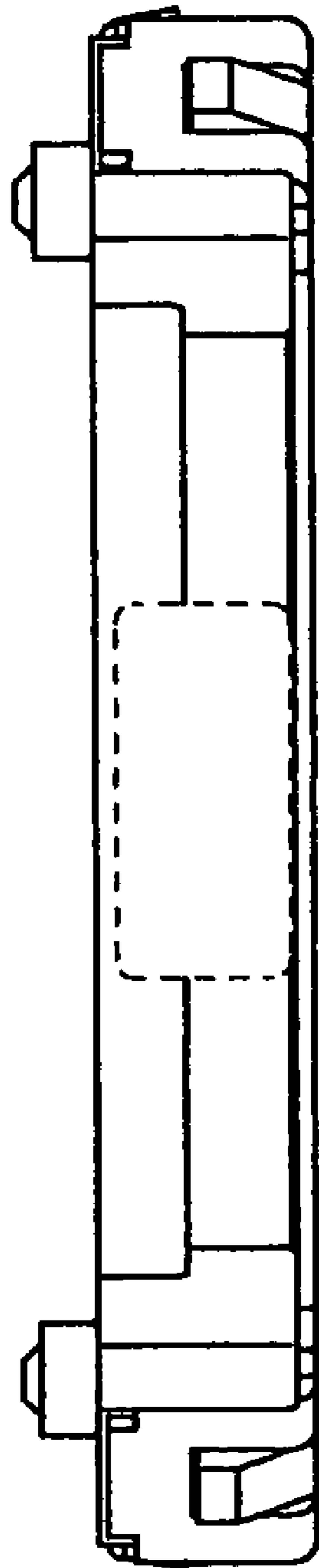


Fig. 4

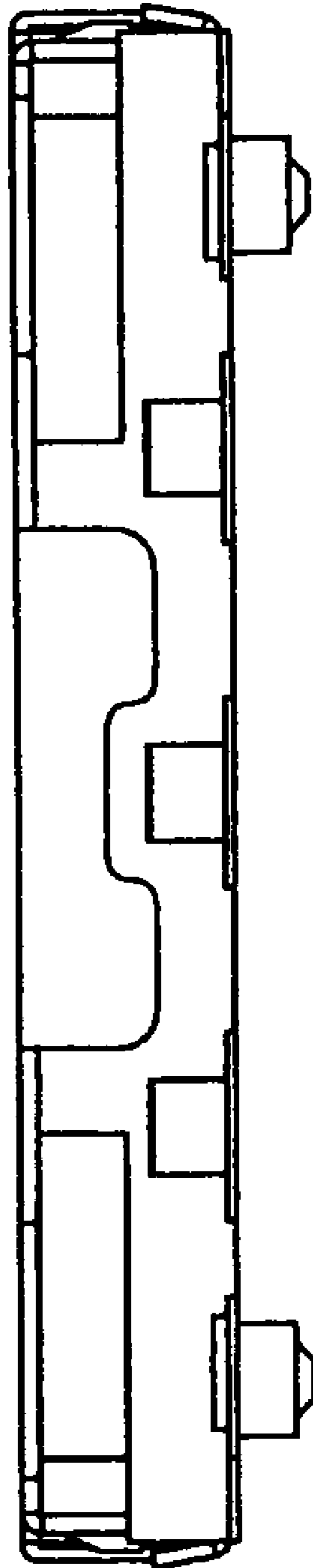


Fig. 5

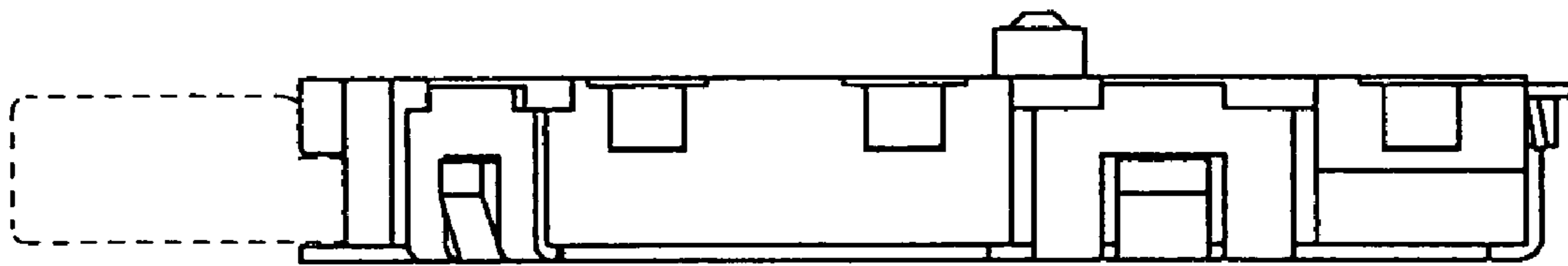


Fig. 6

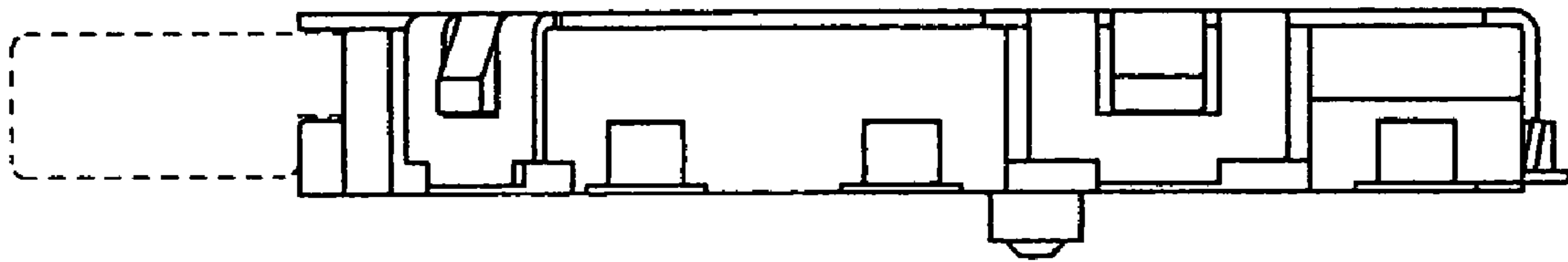


Fig. 7

