



US00D568255S

(12) **United States Design Patent**
Kurisaki et al.

(10) **Patent No.:** **US D568,255 S**

(45) **Date of Patent:** **** May 6, 2008**

(54) **PRESSURE SWITCH**

(75) Inventors: **Syogo Kurisaki**, Tsukubamirai (JP);
Ryosuke Takeuchi, Tsukubamirai (JP)

(73) Assignee: **SMC Corporation**, Chiyoda-ku, Tokyo
(JP)

(**) Term: **14 Years**

(21) Appl. No.: **29/270,752**

(22) Filed: **Jan. 3, 2007**

(30) **Foreign Application Priority Data**

Jul. 4, 2006 (JP) 2006-017634

(51) **LOC (8) Cl.** **13-03**

(52) **U.S. Cl.** **D13/158; D13/164**

(58) **Field of Classification Search** D13/158,
D13/162-164, 177, 184; D10/85; D23/233;
200/308, 520, 5 A, 5 R, 83, 83 Q, 81 R,
200/81.4

See application file for complete search history.

(56) **References Cited**

U.S. PATENT DOCUMENTS

D308,193 S * 5/1990 Gaalswyk D13/158
D400,456 S * 11/1998 Inoue D10/85
D437,295 S * 2/2001 Gunji et al. D13/158
D455,362 S * 4/2002 Okuyama et al. D10/96
D456,290 S * 4/2002 Gunji et al. D10/85

D487,729 S * 3/2004 Okuyama et al. D13/171
D497,145 S * 10/2004 Seo D13/158
7,186,934 B2 * 3/2007 Nakajima 200/81 R
2004/0187585 A1 * 9/2004 Miyamoto et al. 73/700

* cited by examiner

Primary Examiner—Daniel Bui

Assistant Examiner—Thomas J Johannes

(74) *Attorney, Agent, or Firm*—Peter Ganjian

(57) **CLAIM**

The ornamental design for a pressure switch, as shown and described.

DESCRIPTION

FIG. 1 shows a front view of a pressure switch showing our new design;

FIG. 2 shows a rear view thereof;

FIG. 3 shows a top view thereof;

FIG. 4 shows a bottom view thereof;

FIG. 5 shows a left side view thereof;

FIG. 6 shows a right side view thereof; and,

FIG. 7 shows a perspective view thereof.

The broken line showing in the figure drawings is included for illustrative purposes only and forms no part of the claimed design.

1 Claim, 4 Drawing Sheets

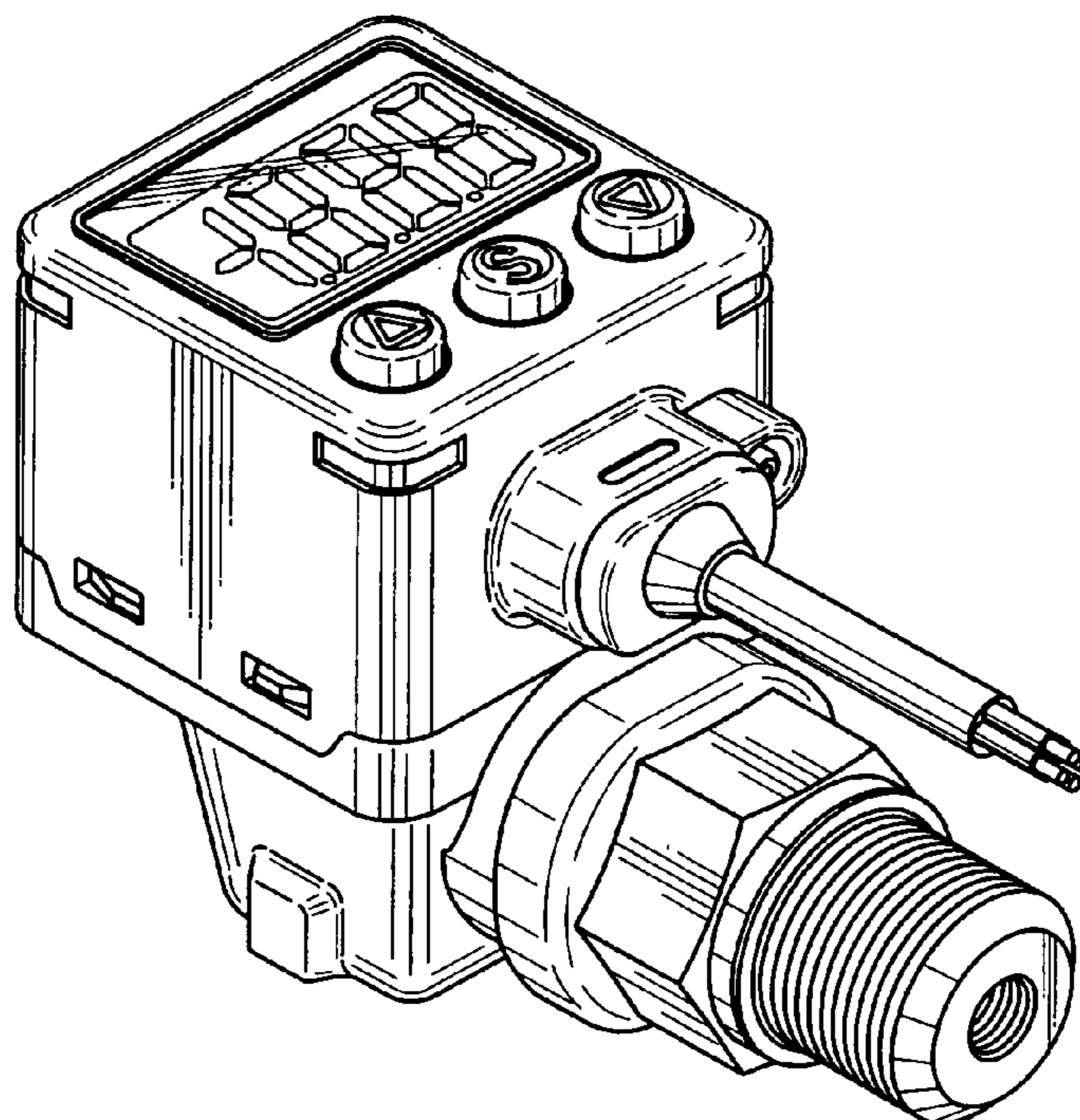


FIG. 1

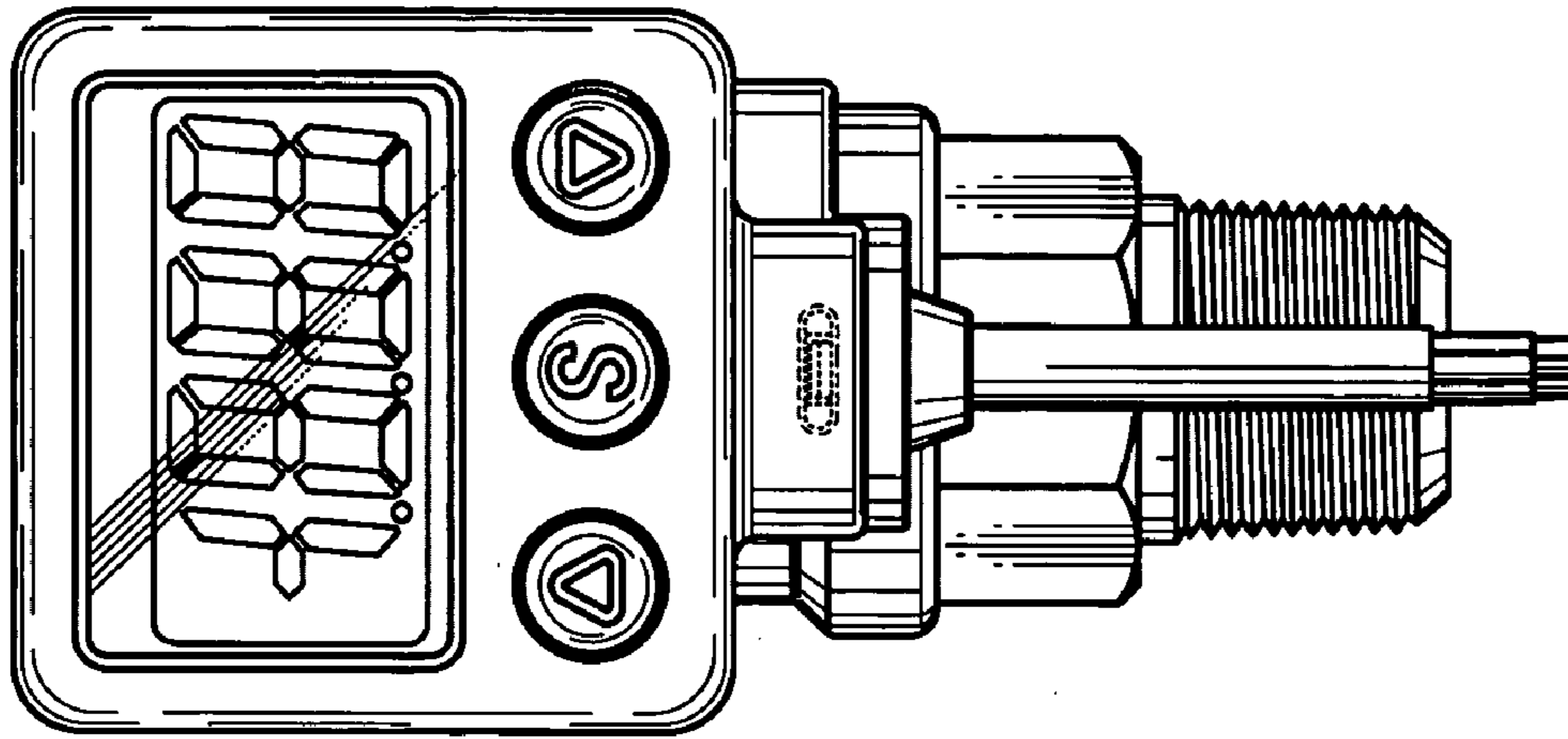


FIG. 2

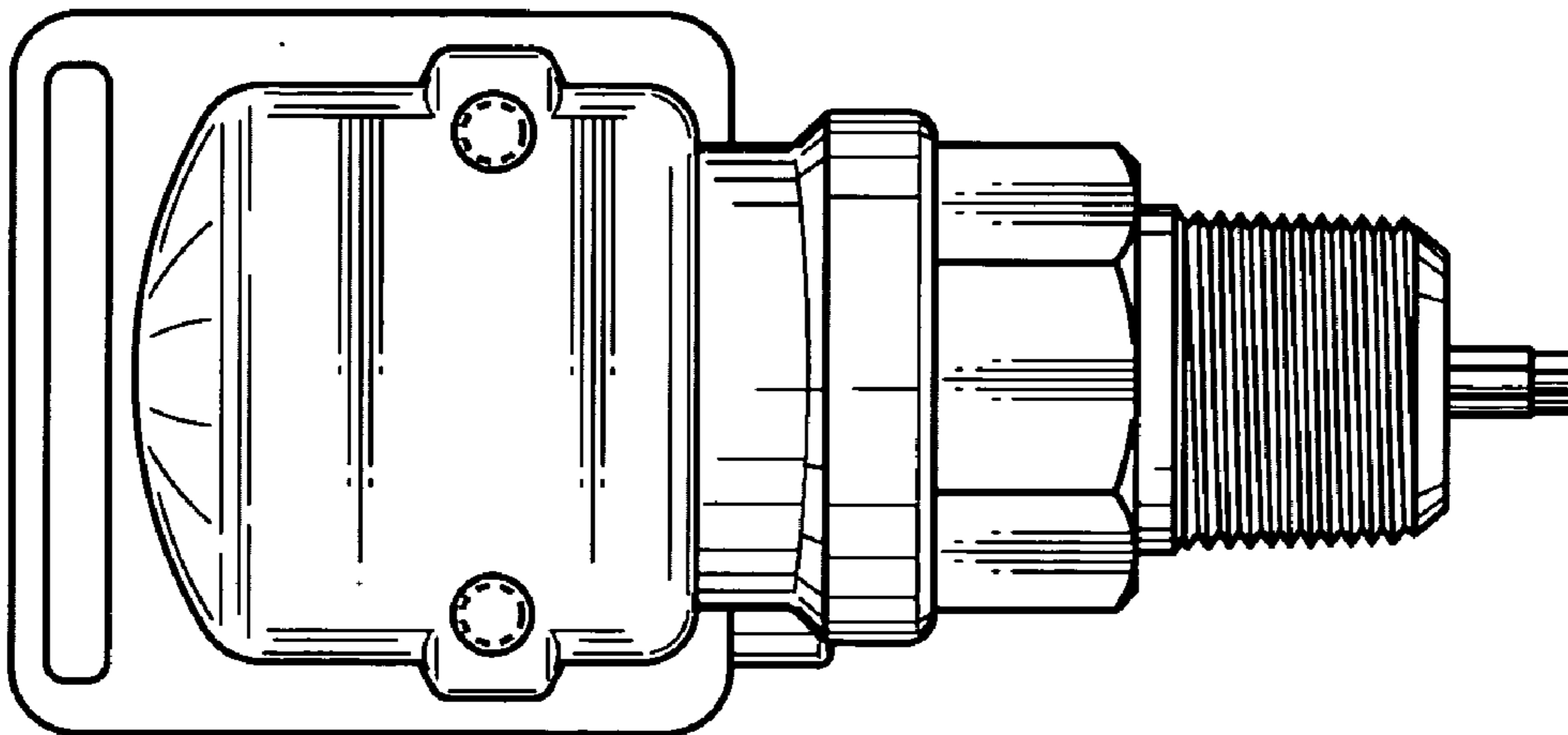


FIG. 3

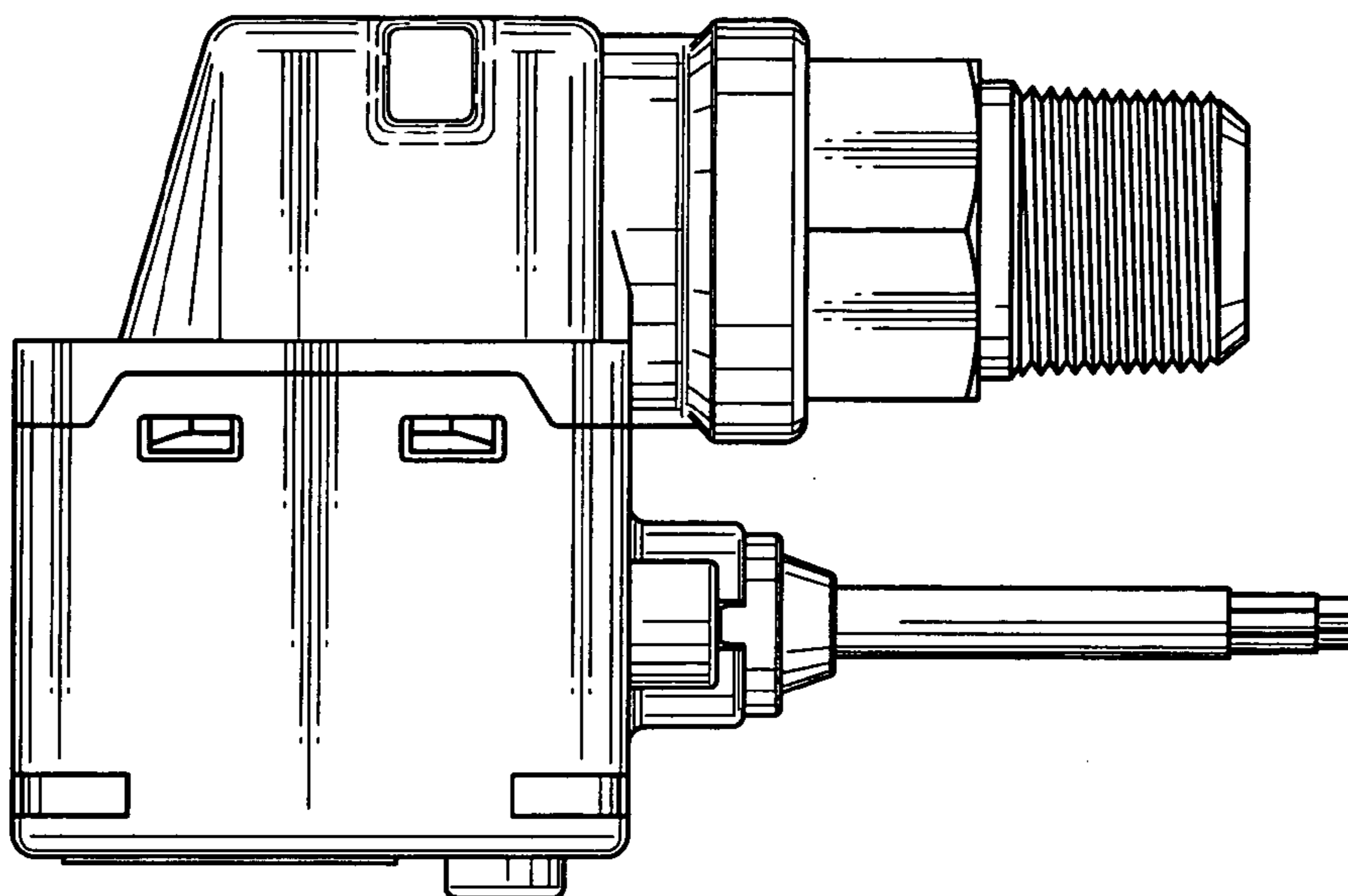


FIG. 4

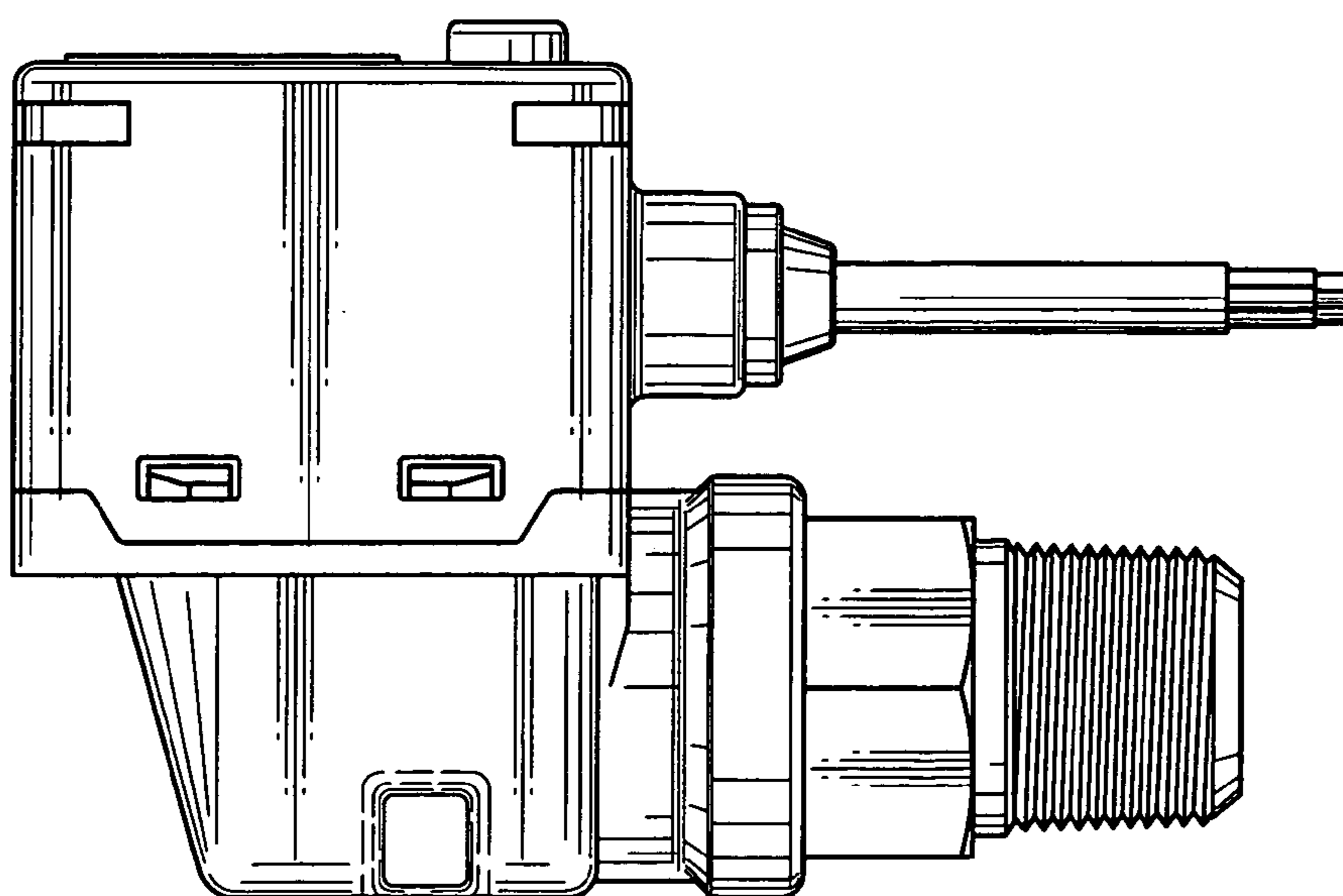


FIG. 5

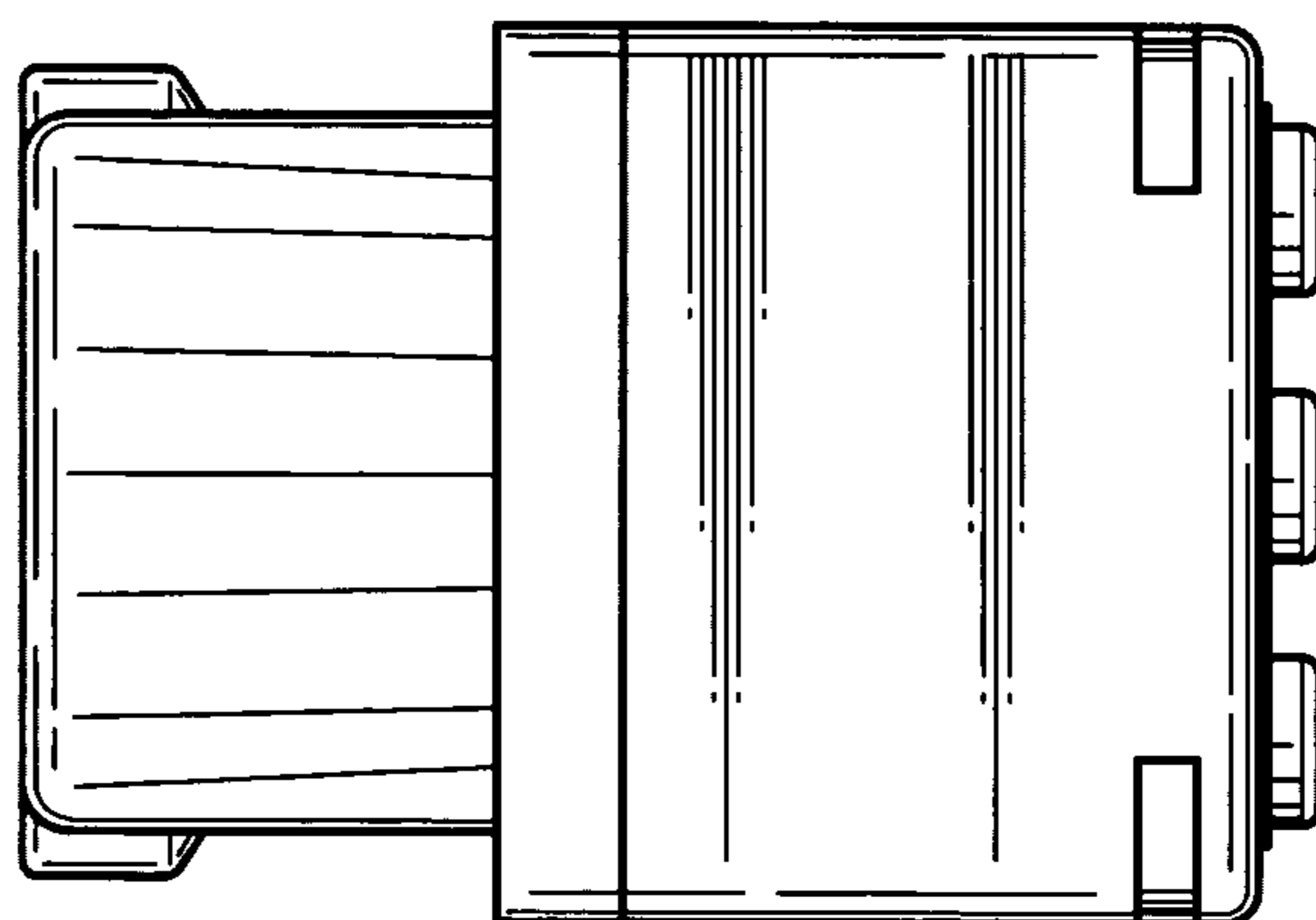


FIG. 6

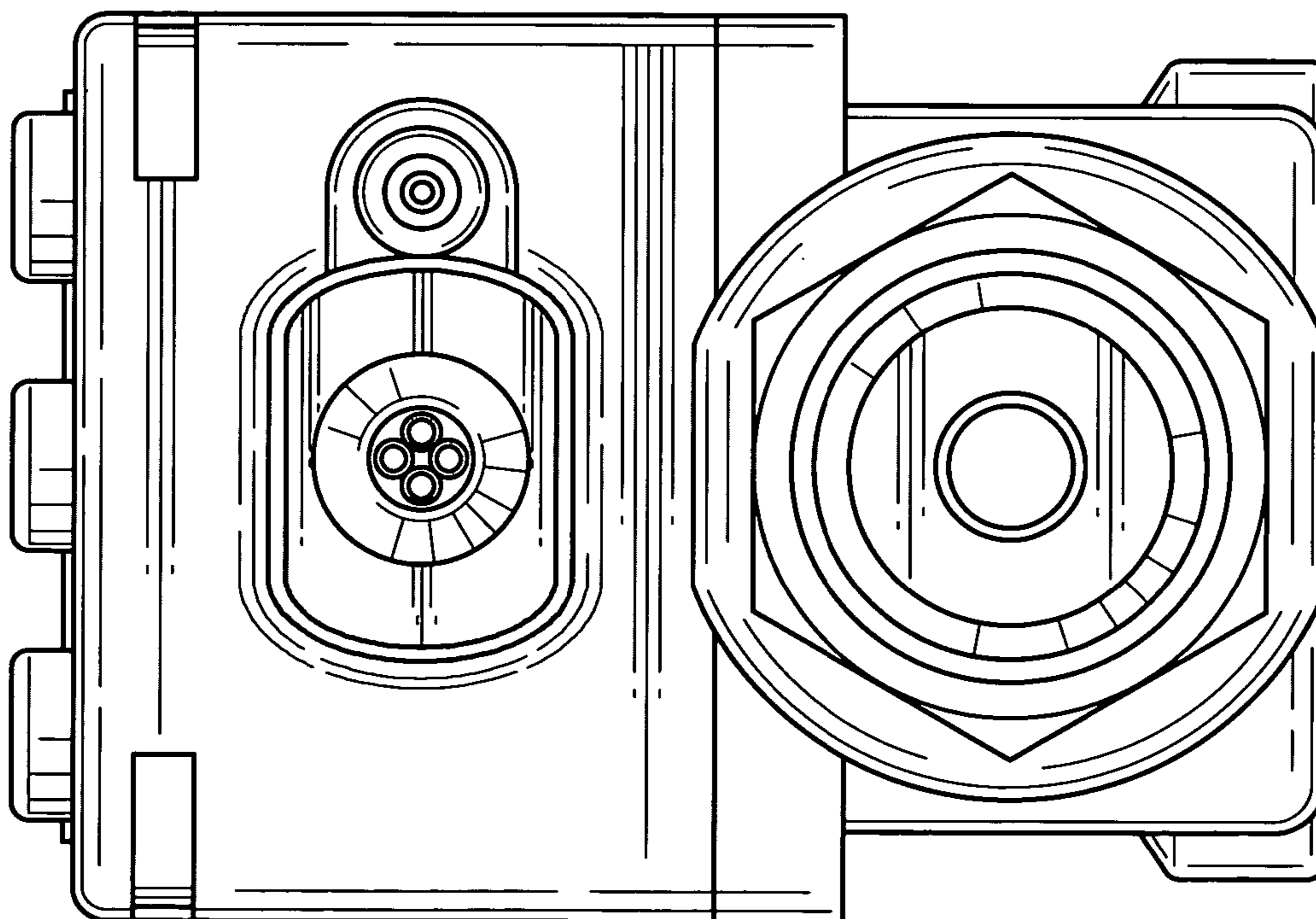


FIG. 7

