



US00D568251S

(12) **United States Design Patent**  
**Chen et al.**

(10) **Patent No.:** **US D568,251 S**

(45) **Date of Patent:** **\*\* May 6, 2008**

(54) **D-SUB CONNECTOR**

D452,961 S \* 1/2002 Zheng et al. .... D13/147

(75) Inventors: **Sun-Chung Chen**, Taipei Hsien (TW);  
**Chang-Yu Chung**, Taipei Hsien (TW)

FOREIGN PATENT DOCUMENTS

TW 348046 12/1998

(73) Assignee: **Aten International Co., Ltd.**, Taipei Hsien (TW)

\* cited by examiner

(\*\*) Term: **14 Years**

*Primary Examiner*—Daniel Bui

(74) *Attorney, Agent, or Firm*—Thomas, Kayden, Horstemeyer & Risley

(21) Appl. No.: **29/279,087**

(57) **CLAIM**

(22) Filed: **Apr. 19, 2007**

The ornamental design for a d-sub connector, as shown and described.

(51) **LOC (8) Cl.** ..... **13-03**

(52) **U.S. Cl.** ..... **D13/147**

(58) **Field of Classification Search** ..... D13/133,  
D13/146–147, 154, 184; 439/79, 83, 358,  
439/378, 557, 607–610, 620.15, 620.2, 620.22  
See application file for complete search history.

**DESCRIPTION**

FIG. 1 is a perspective view of a d-sub connector showing our new design;

FIG. 2 is a front view thereof;

FIG. 3 is a rear view thereof;

FIG. 4 is a left side view thereof;

FIG. 5 is a right side view thereof;

FIG. 6 is a top view thereof; and,

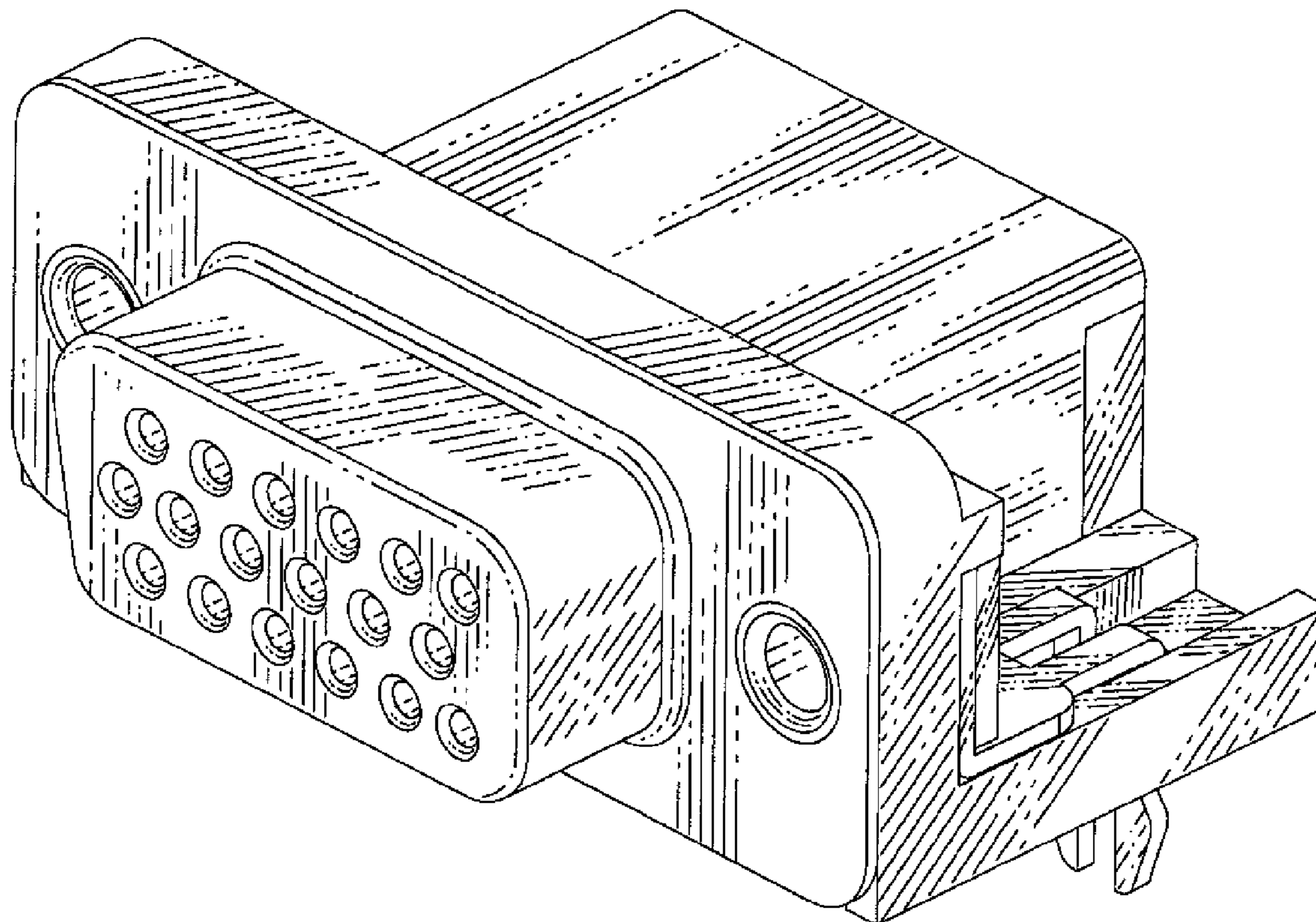
FIG. 7 is a bottom view thereof.

(56) **References Cited**

U.S. PATENT DOCUMENTS

D275,850 S *	10/1984	Wilson	.....	D13/147
4,518,209 A *	5/1985	Negley	.....	439/92
4,824,398 A *	4/1989	Taylor	.....	439/557
D331,395 S *	12/1992	Lou	.....	D14/357
D411,513 S *	6/1999	Wu et al.	.....	D13/147
D420,978 S *	2/2000	Chang	.....	D13/146

**1 Claim, 4 Drawing Sheets**



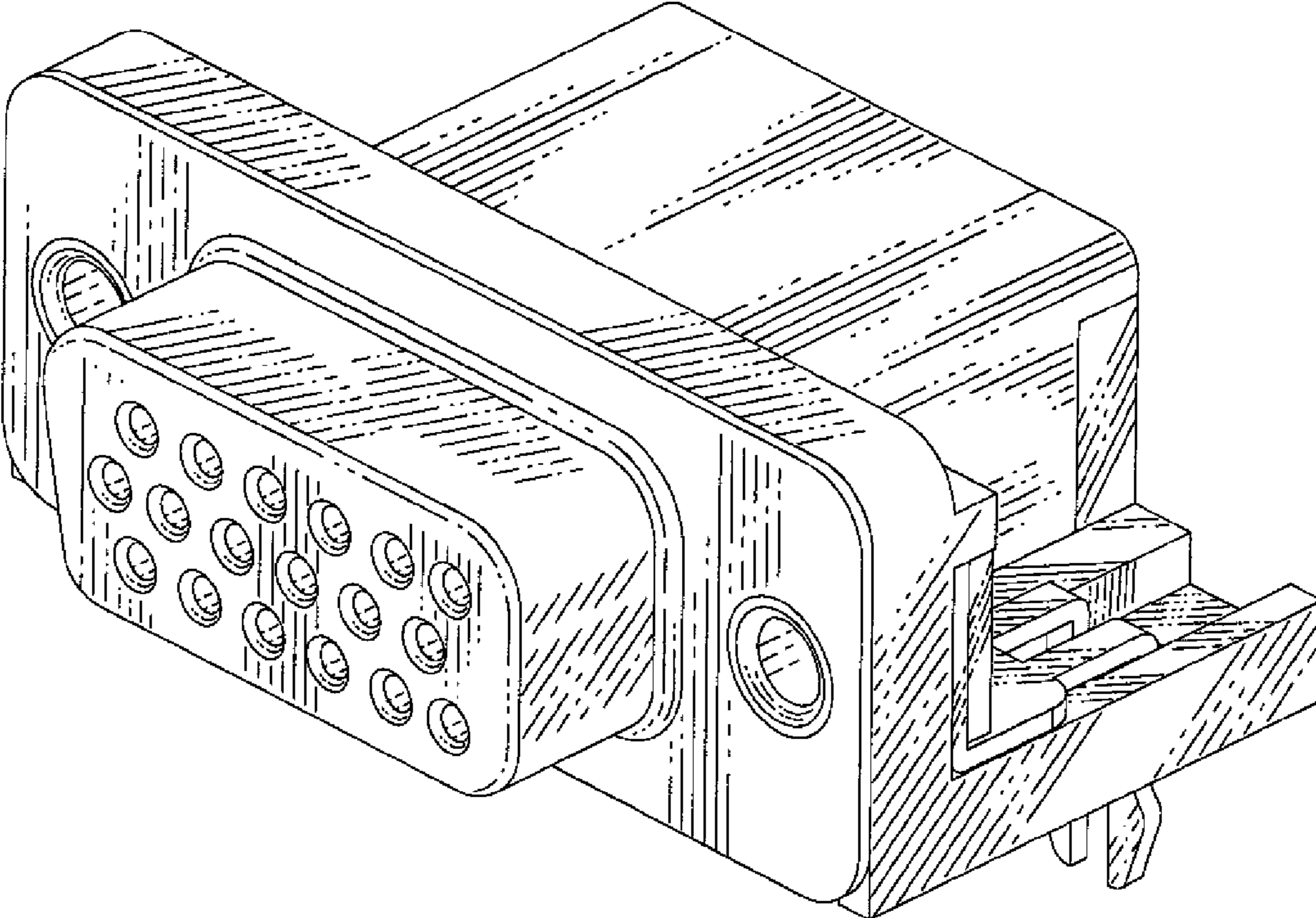


FIG. 1

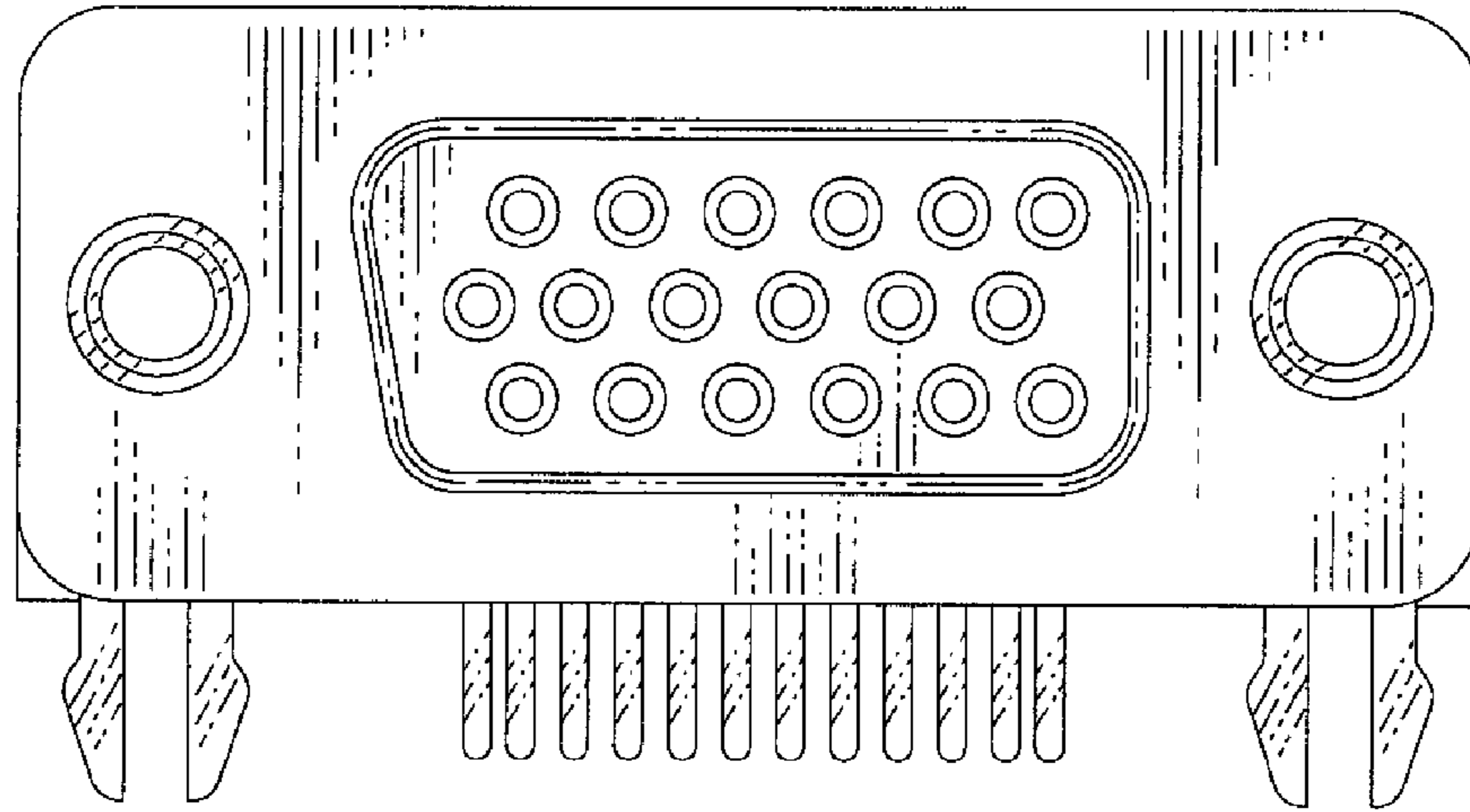


FIG. 2

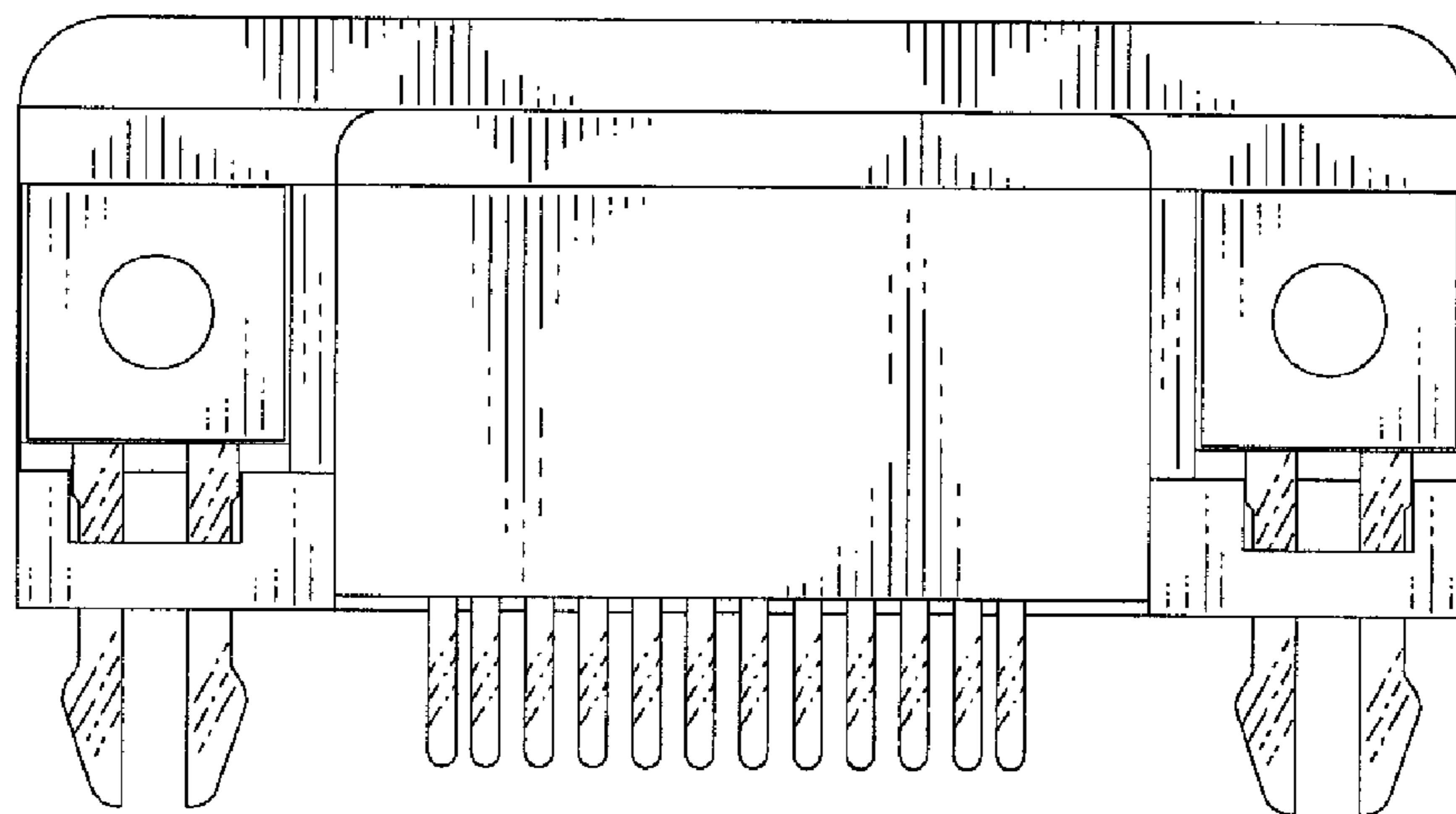


FIG. 3

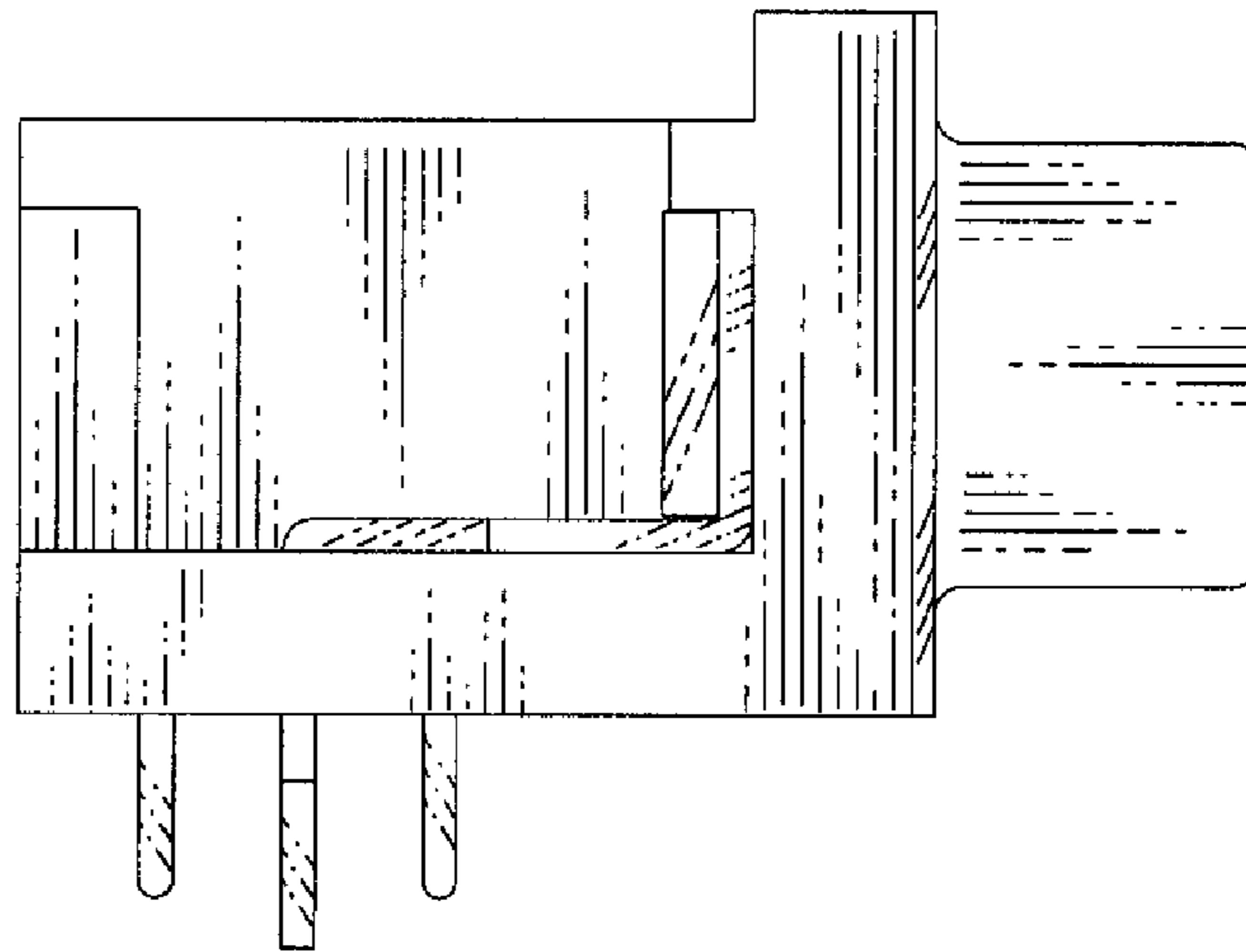


FIG. 4

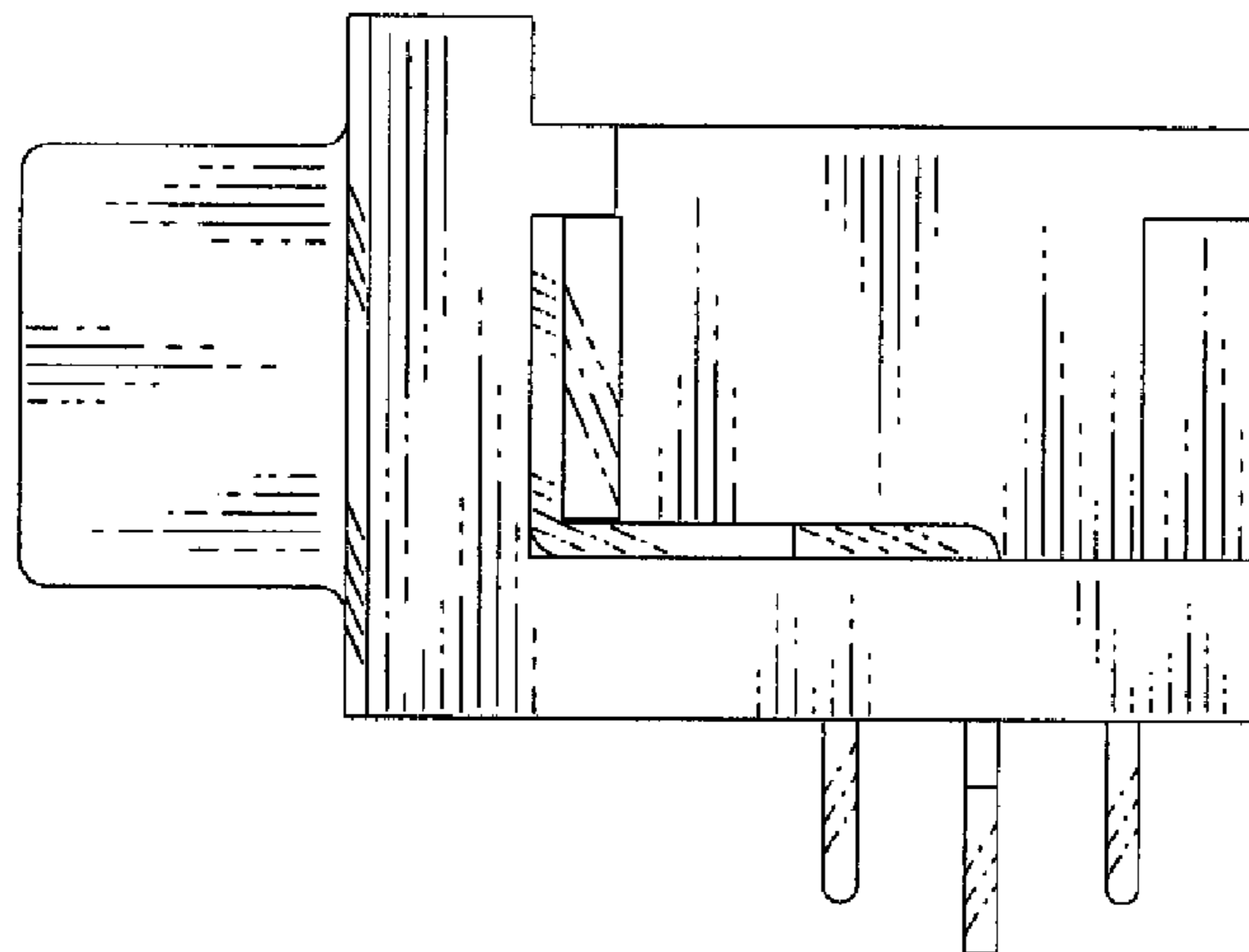


FIG. 5

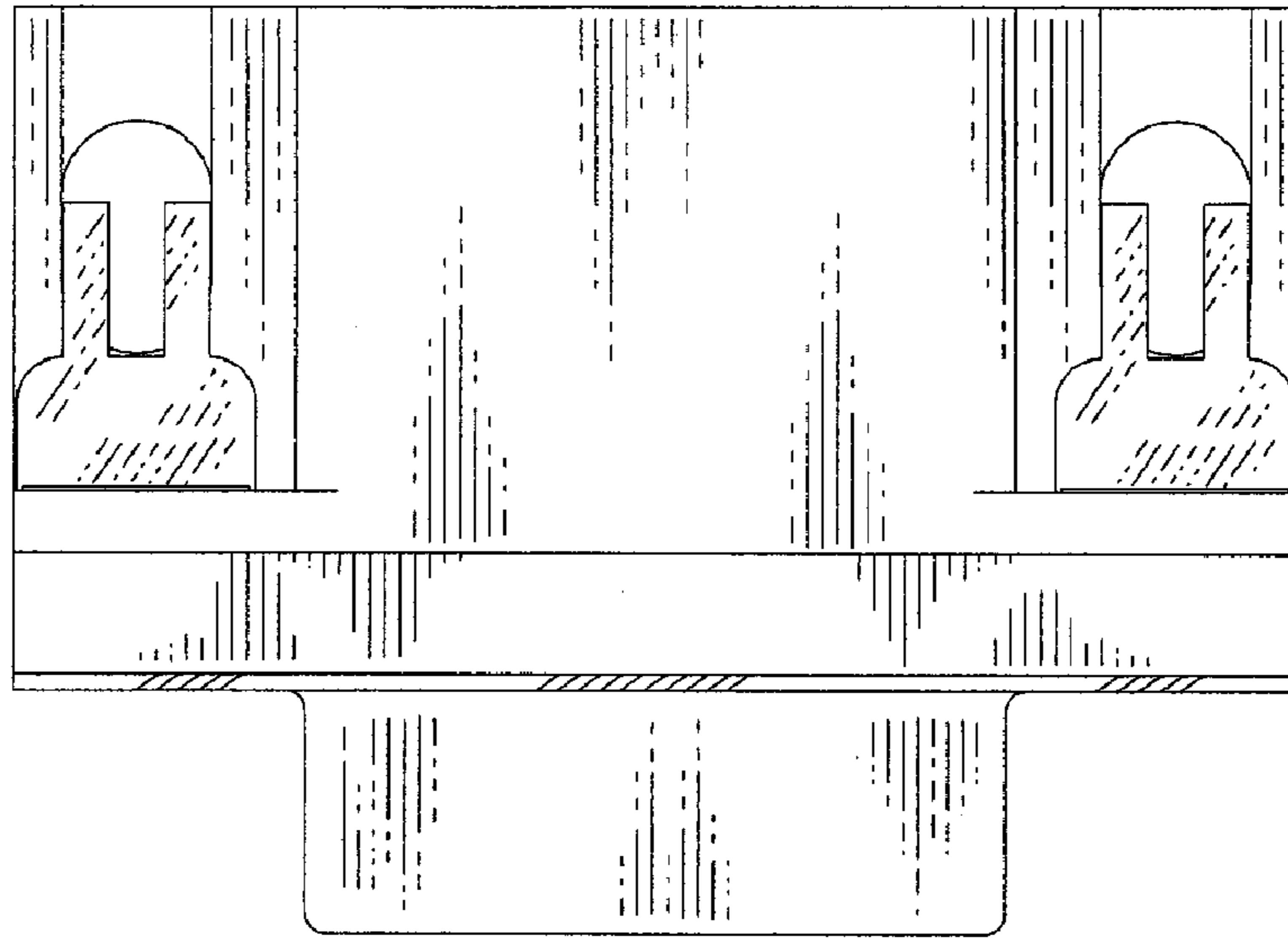


FIG. 6

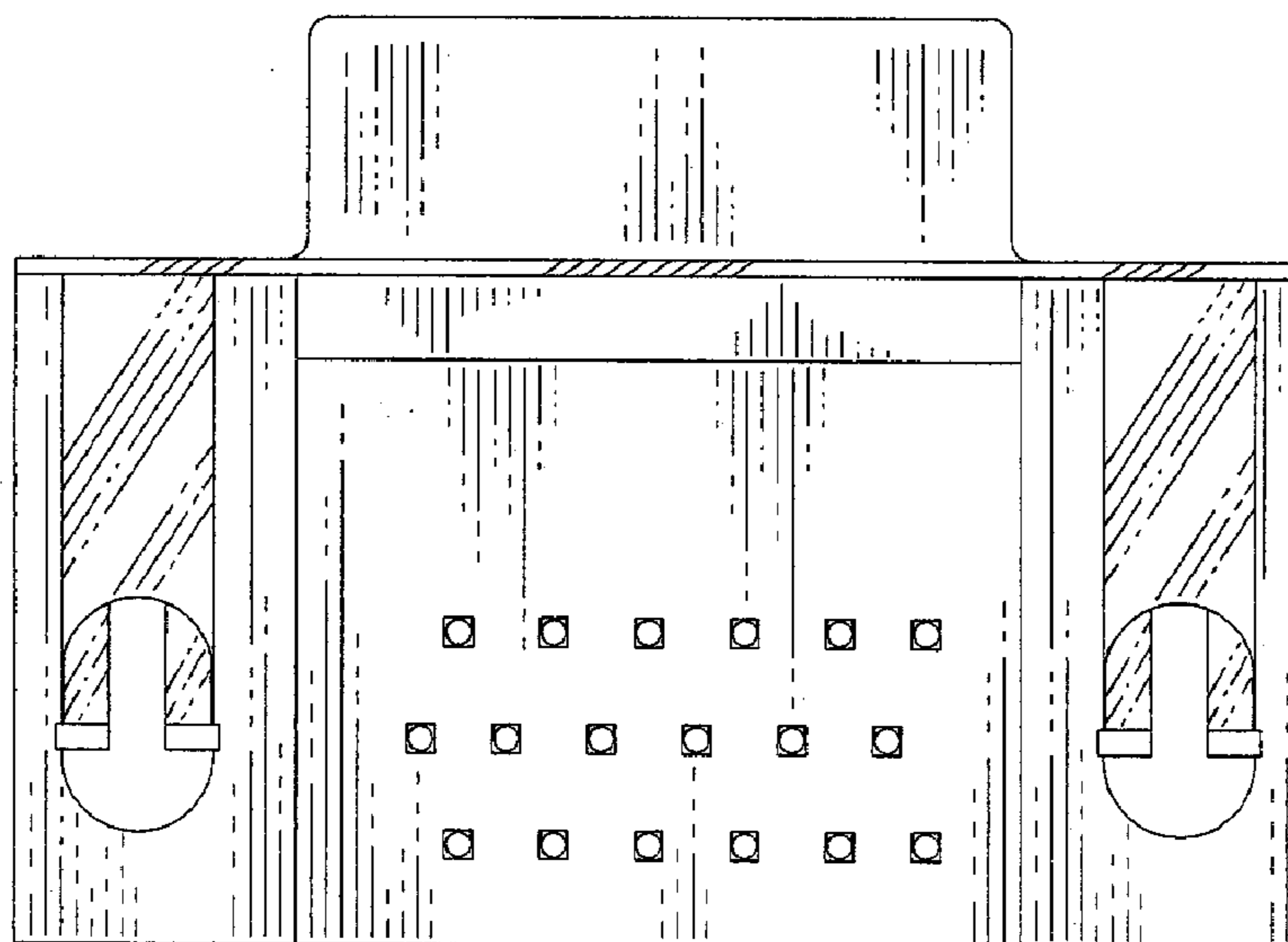


FIG. 7