



US00D568246S

(12) **United States Design Patent**
Wu et al.

(10) **Patent No.:** **US D568,246 S**

(45) **Date of Patent:** **** May 6, 2008**

(54) **CONNECTOR CONTACT**

(75) Inventors: **Yin Lung Wu**, Tu-Cheng (TW); **Min Chiang Chen**, Tu-Cheng (TW); **Min Song**, Tu-Cheng (TW)

(73) Assignee: **Cheng Uei Precision Industry Co., Ltd.**, Taipei Hsien (TW)

(**) Term: **14 Years**

(21) Appl. No.: **29/270,624**

(22) Filed: **Dec. 29, 2006**

(51) **LOC (8) Cl.** **13-03**

(52) **U.S. Cl.** **D13/133; D13/154**

(58) **Field of Classification Search** D13/133,
D13/146-147, 154, 184, 199; 439/106-108,
439/395, 633, 660, 810, 839, 862, 849-850,
439/870, 877, 884-885, 887-891
See application file for complete search history.

(56) **References Cited**

U.S. PATENT DOCUMENTS

- 3,771,111 A * 11/1973 Pritulsky 439/850
- D340,226 S * 10/1993 Sachs D13/154
- D359,025 S * 6/1995 Daio et al. D13/133

- D365,325 S * 12/1995 Hamada et al. D13/133
- D514,514 S * 2/2006 Franks, Jr. D13/133
- D517,019 S * 3/2006 Yao et al. D13/154
- D555,092 S * 11/2007 Li et al. D13/133
- D556,691 S * 12/2007 Shiu D13/148

* cited by examiner

Primary Examiner—Daniel Bui

(74) *Attorney, Agent, or Firm*—Rosenberg, Klein & Lee

(57) **CLAIM**

The ornamental design for a connector contact, as shown and described.

DESCRIPTION

FIG. 1 is a perspective view of a connector contact showing our new design;

FIG. 2 is a front elevational view thereof;

FIG. 3 is a rear elevational view thereof;

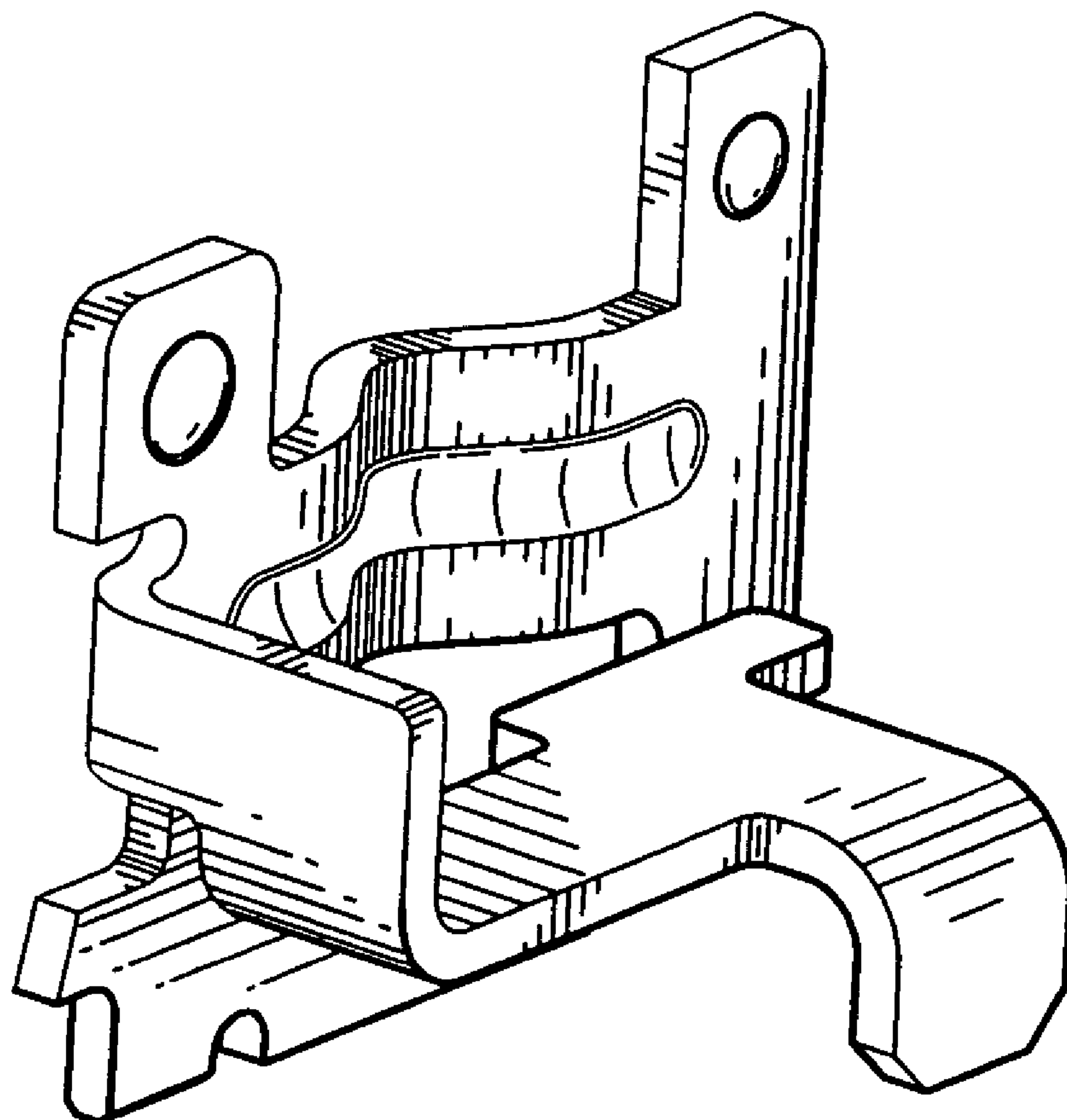
FIG. 4 is a left side elevational view thereof;

FIG. 5 is a right side elevational view thereof;

FIG. 6 is a top plan view thereof; and,

FIG. 7 is a bottom plan view thereof.

1 Claim, 7 Drawing Sheets



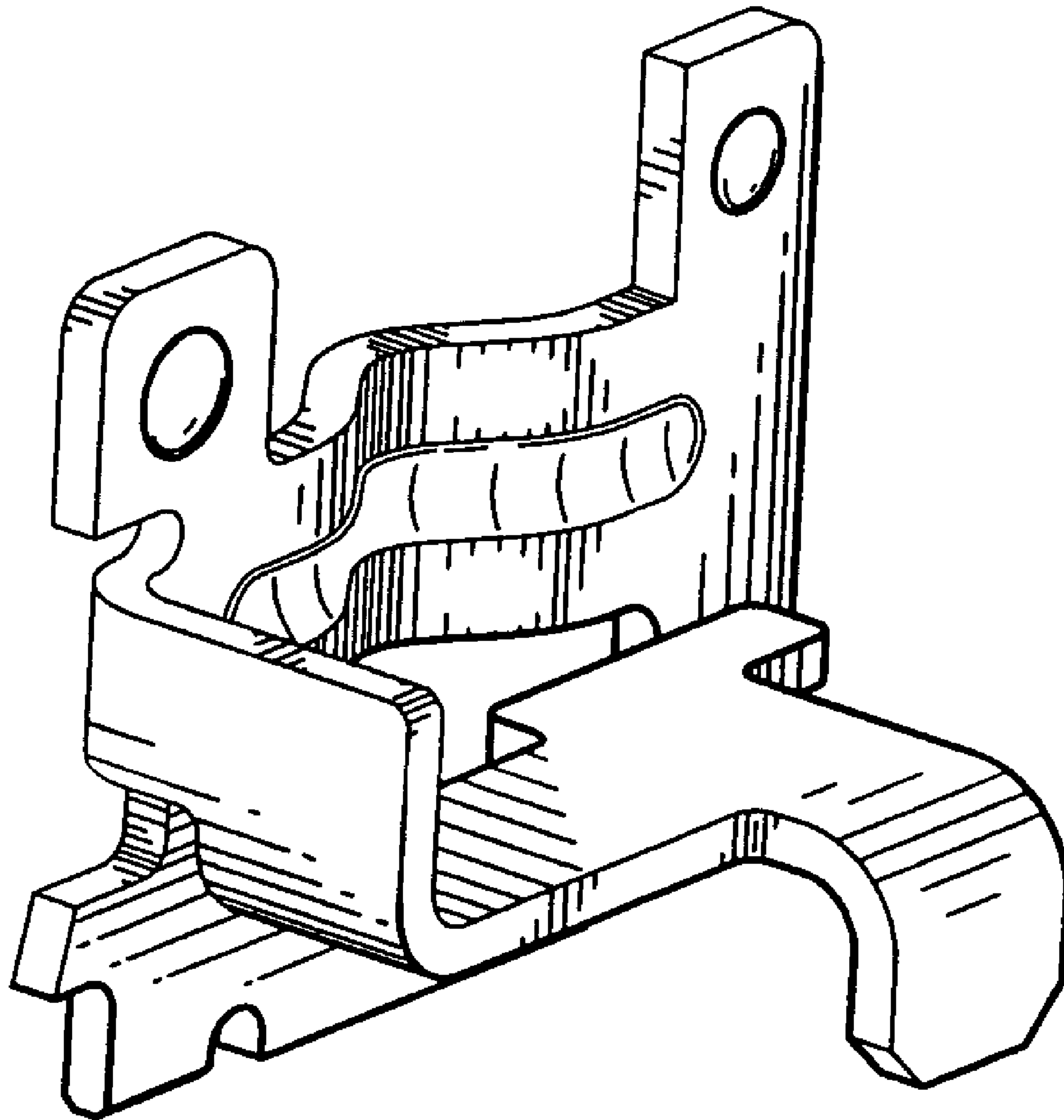


FIG. 1

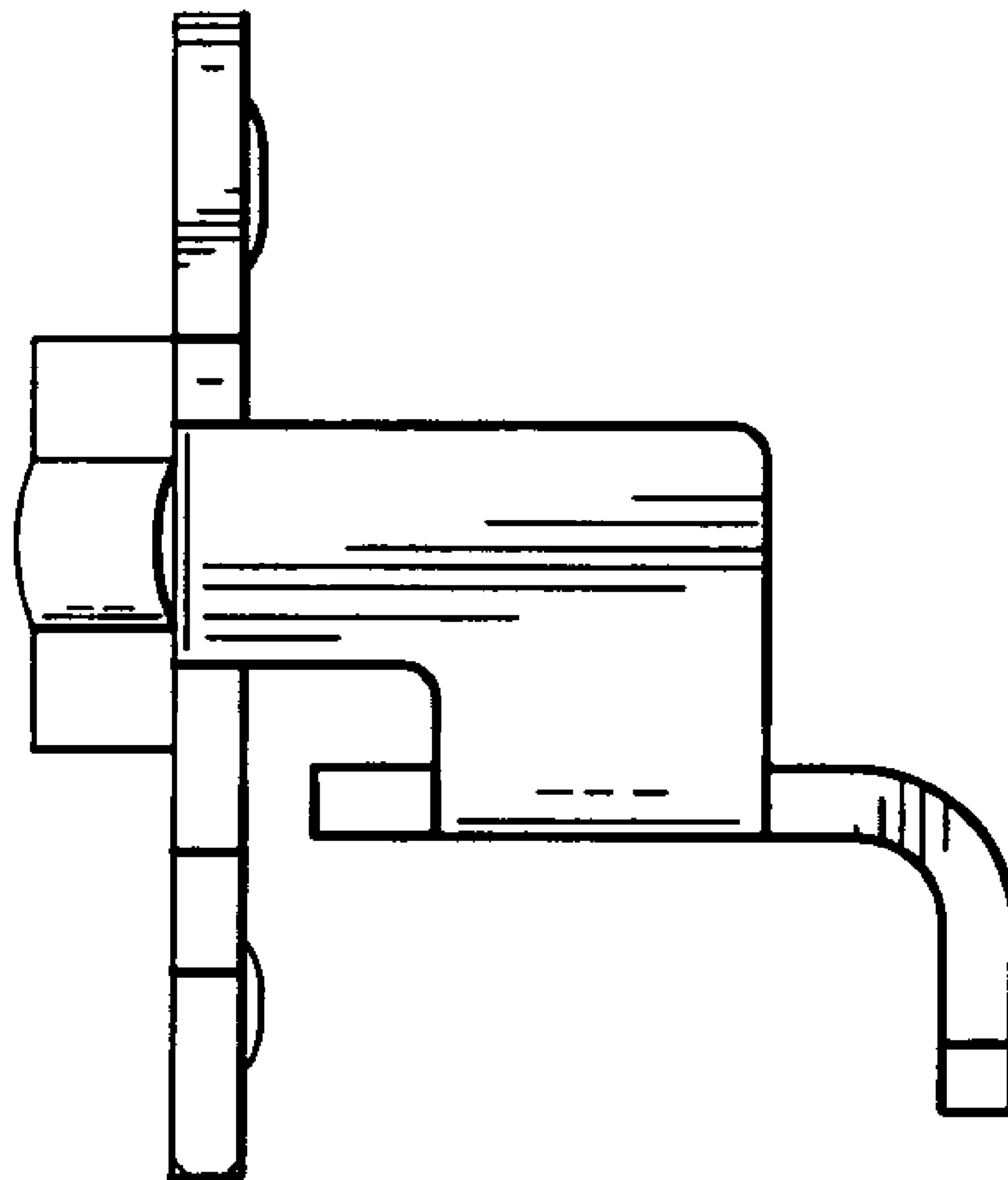


FIG. 2

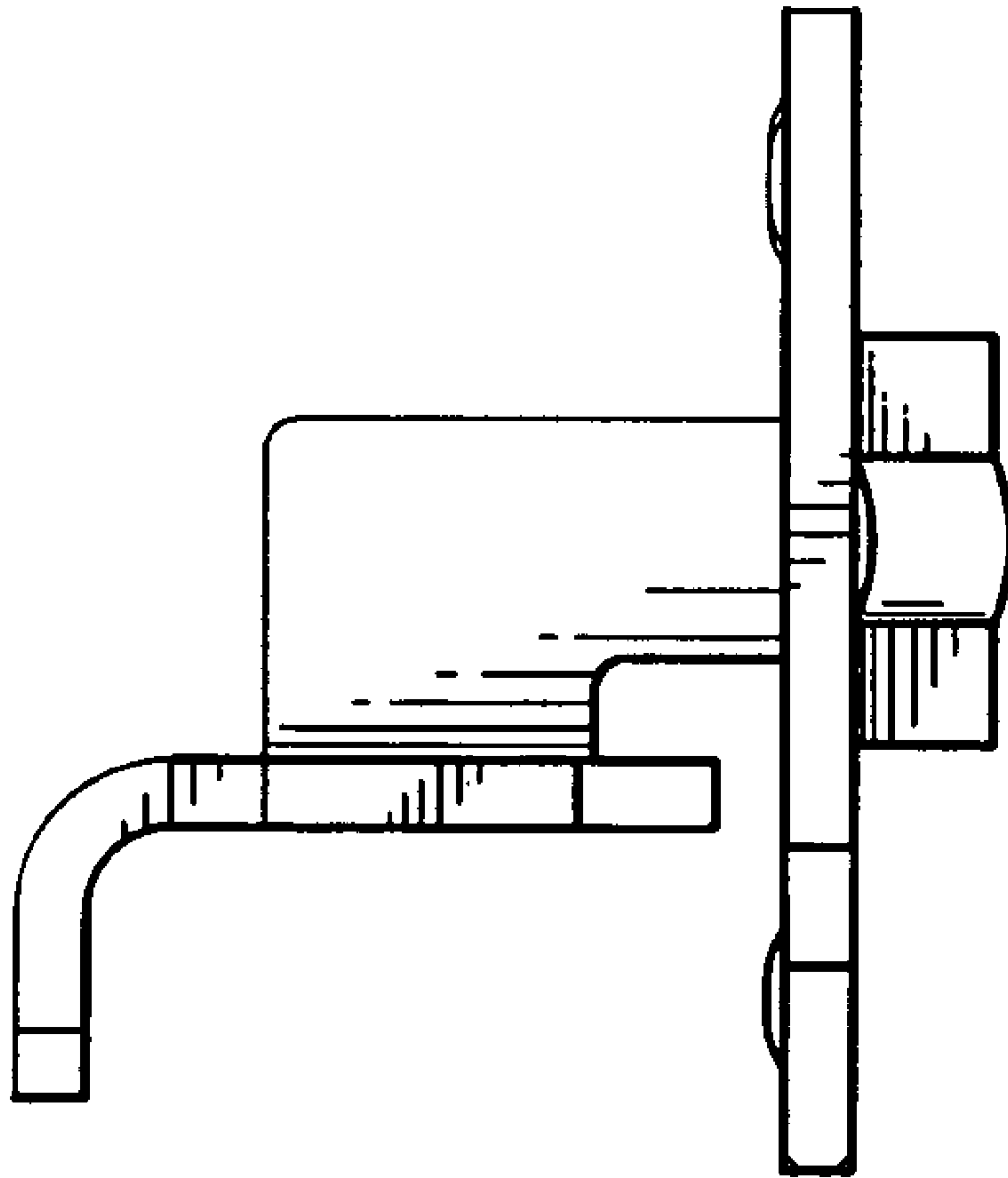


FIG. 3

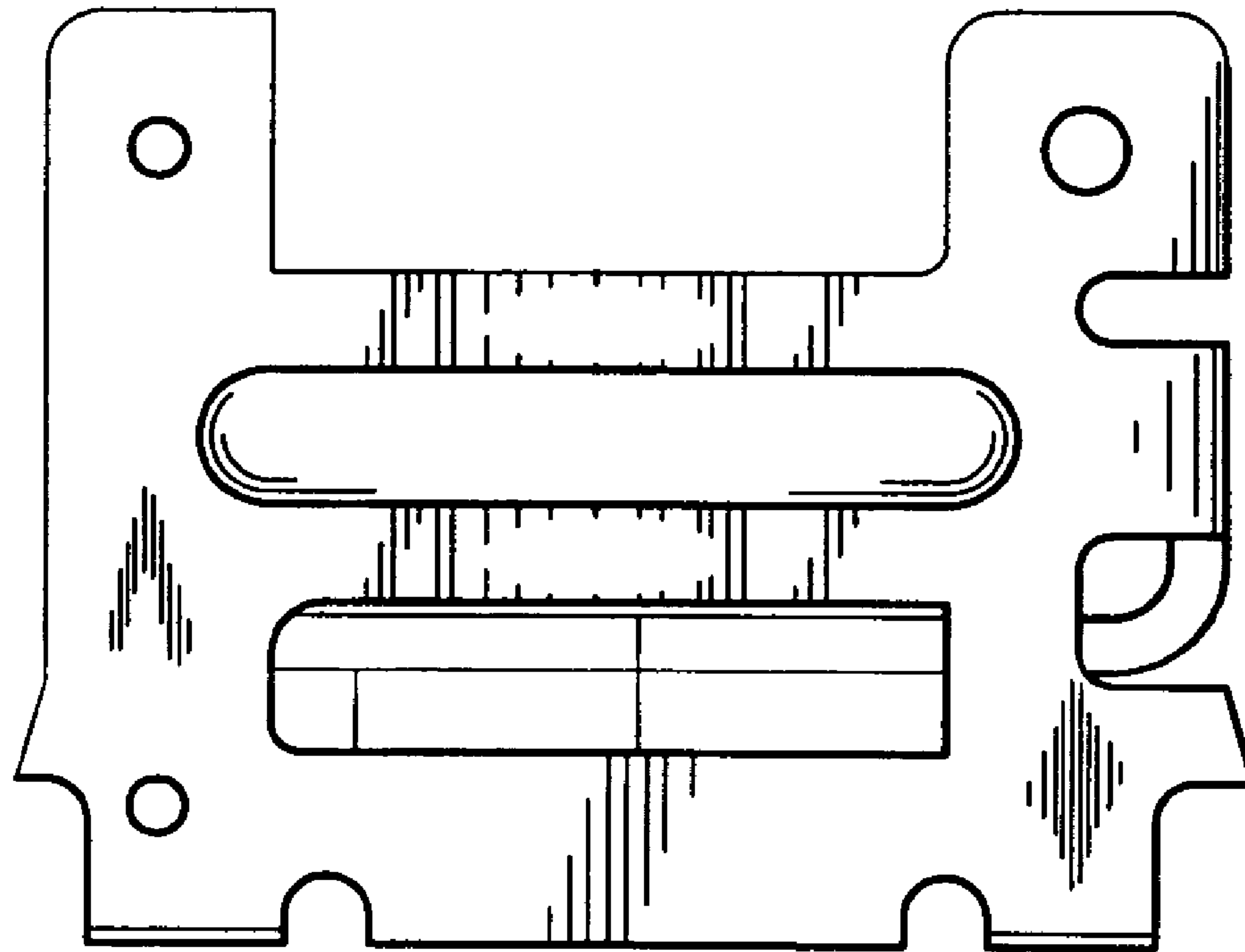


FIG. 4

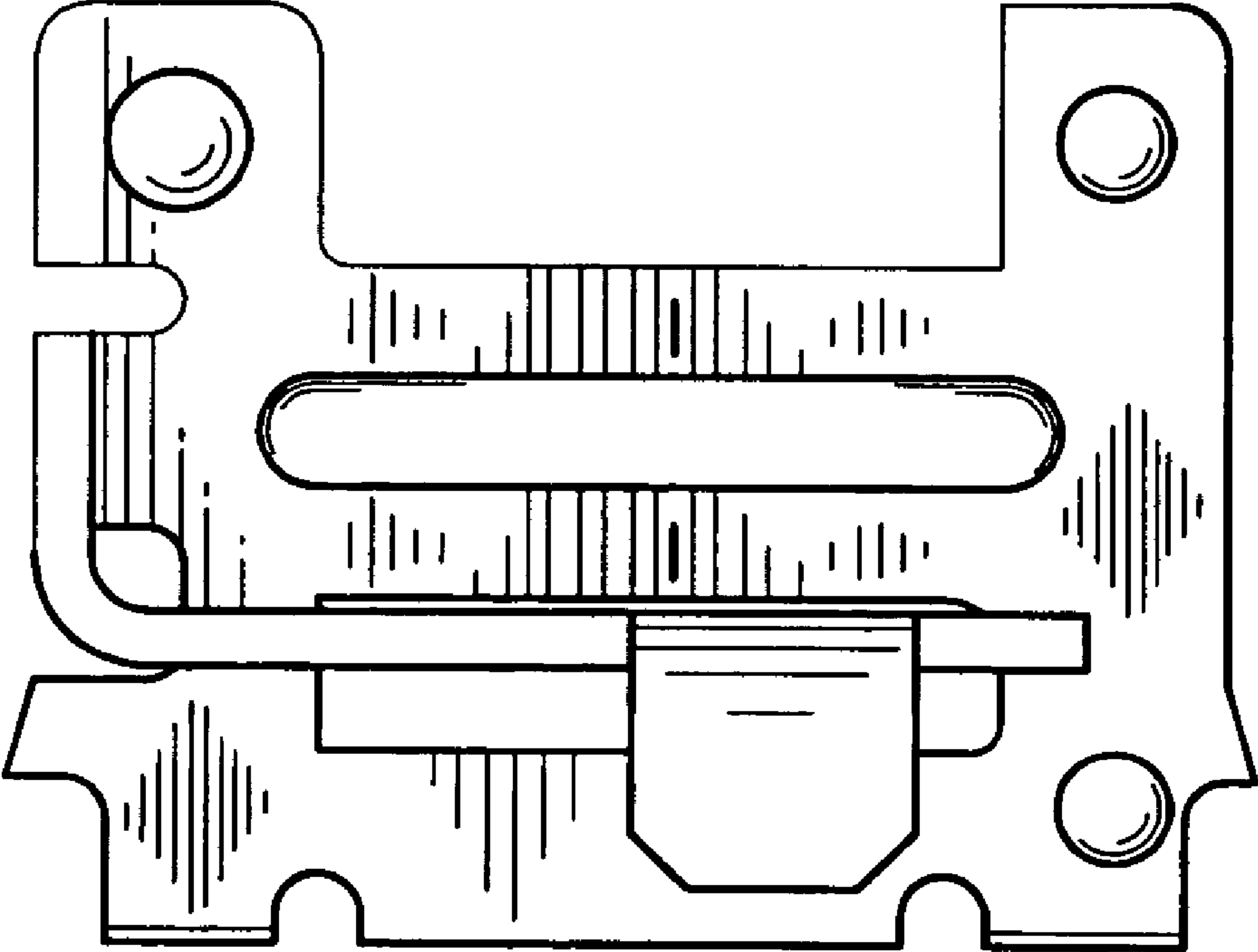


FIG. 5

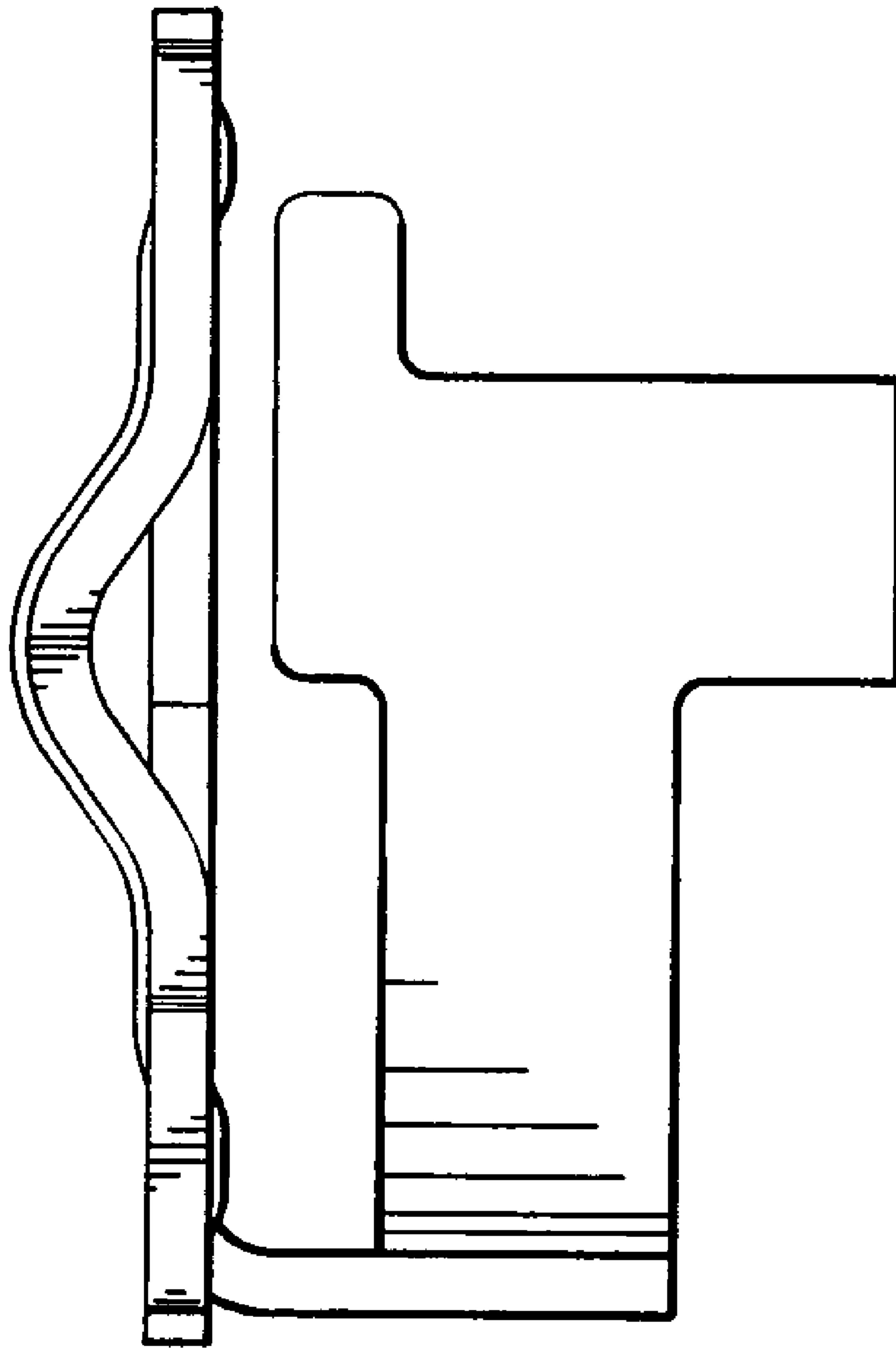


FIG. 6

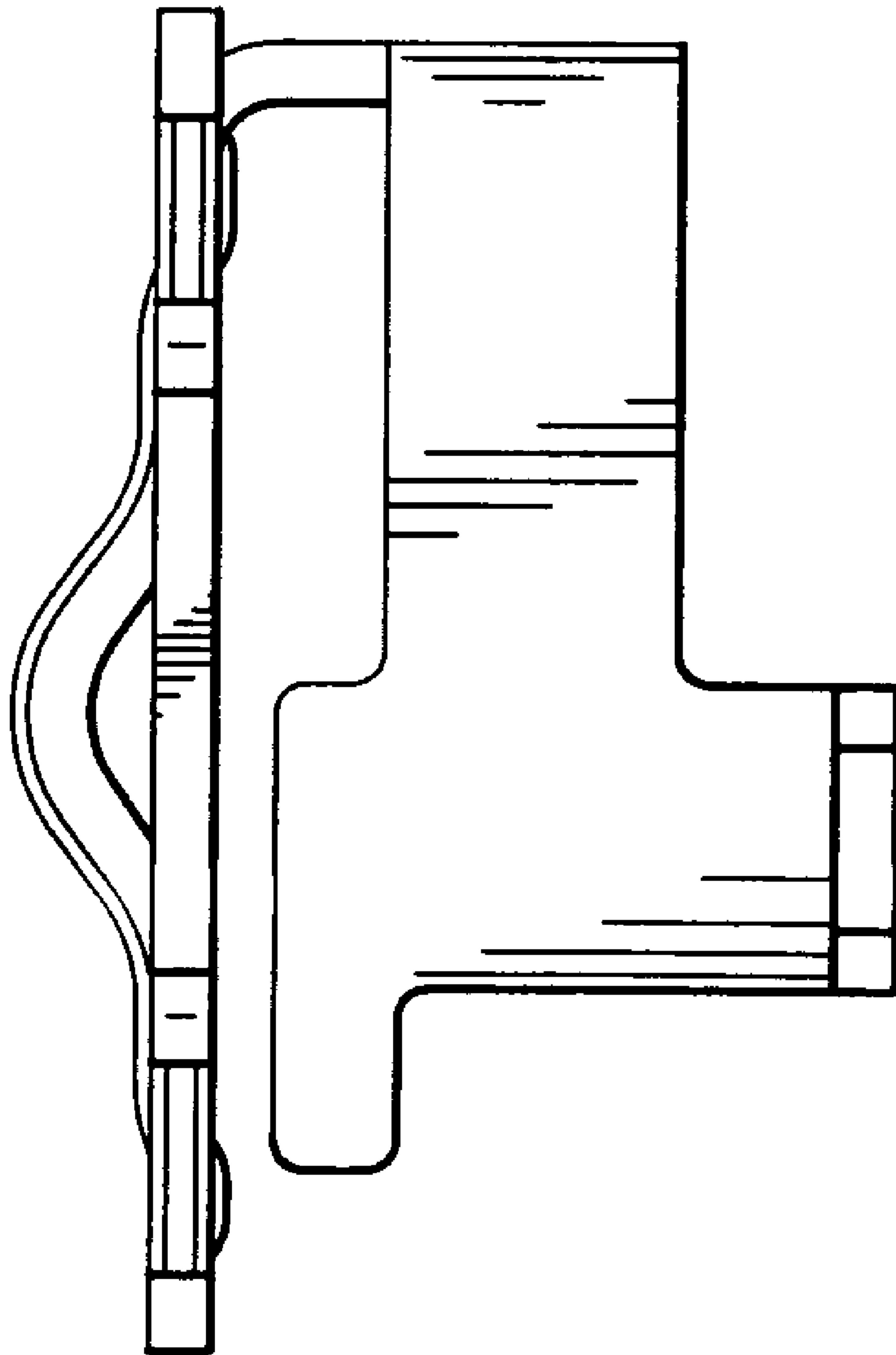


FIG. 7