



US00D568245S

(12) **United States Design Patent**
Kudo

(10) **Patent No.:** **US D568,245 S**
(45) **Date of Patent:** **** May 6, 2008**

(54) **ELECTRICAL CONTACT**

(75) Inventor: **Tsutomu Kudo**, Ibaragi (JP)

(73) Assignee: **Tyco Electronics AMP K K**,
Kanagawa-Ken (JP)

(**) Term: **14 Years**

(21) Appl. No.: **29/258,742**

(22) Filed: **Apr. 26, 2006**

(30) **Foreign Application Priority Data**

Oct. 26, 2005 (JP) 2005-031348

(51) **LOC (8) Cl.** **13-03**

(52) **U.S. Cl.** **D13/133**

(58) **Field of Classification Search** D13/133,
D13/149, 154, 184, 199; 439/732, 844, 851-852,
439/865-867, 872, 877, 884
See application file for complete search history.

(56) **References Cited**

U.S. PATENT DOCUMENTS

D332,773 S * 1/1993 Sato et al. D13/149
D454,545 S * 3/2002 Hayashi et al. D13/154
D464,323 S * 10/2002 Harasawa et al. D13/154
D475,022 S * 5/2003 Kihira et al. D13/154
2005/0085128 A1* 4/2005 Chai et al. 439/607
2005/0287875 A1* 12/2005 Kojima 439/750

FOREIGN PATENT DOCUMENTS

JP 05-17953 3/1993

JP D592311-4 5/1996
JP D974869 2/1997
JP D1033540 3/1999
JP D1160666 12/2002
JP D1194782 1/2004

* cited by examiner

Primary Examiner—Daniel Bui

(74) *Attorney, Agent, or Firm*—Barley Snyder LLC

(57) **CLAIM**

The ornamental design for an electrical contact, as shown and described.

DESCRIPTION

FIG. 1 is a front elevation view of an electrical contact, showing my new design;

FIG. 2 is a top plan view thereof;

FIG. 3 is a bottom plan view thereof;

FIG. 4 is a right side elevation view thereof;

FIG. 5 is a left side elevation view thereof;

FIG. 6 is a rear elevation view thereof;

FIG. 7 is a cross sectional view thereof; taken along the line 7—7 in FIG. 2;

FIG. 8 is a cross sectional view thereof; taken along the line 8—8 in FIG. 2;

FIG. 9 is a top, front and right side perspective view thereof; and,

FIG. 10 is a top, front and left side perspective view thereof.

1 Claim, 3 Drawing Sheets

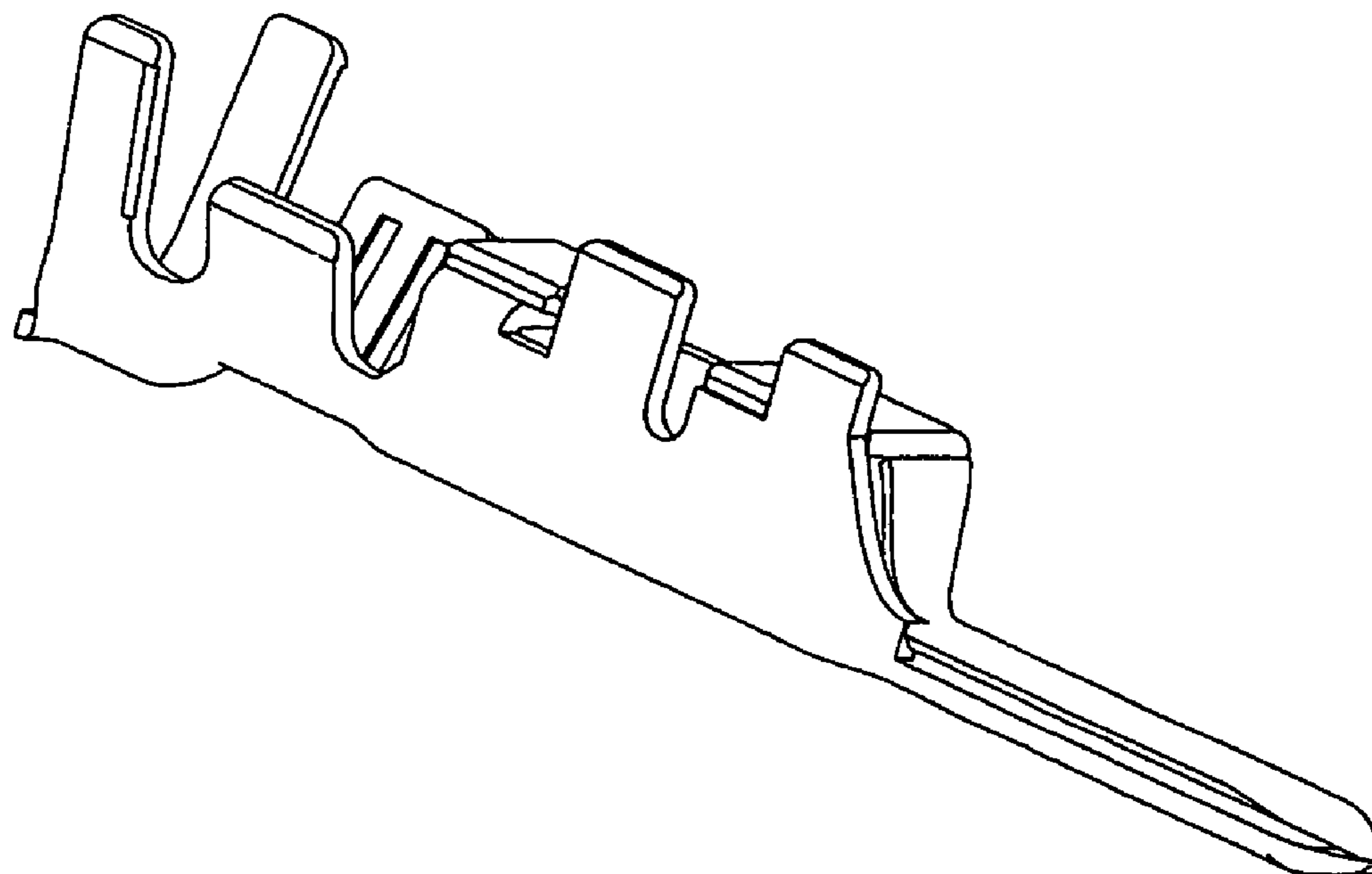


Figure 1

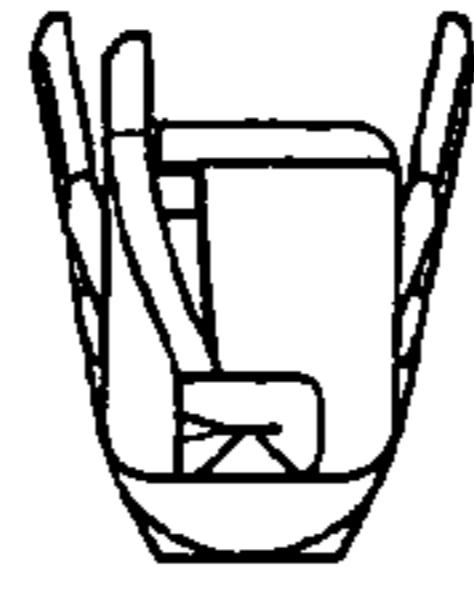


Figure 2

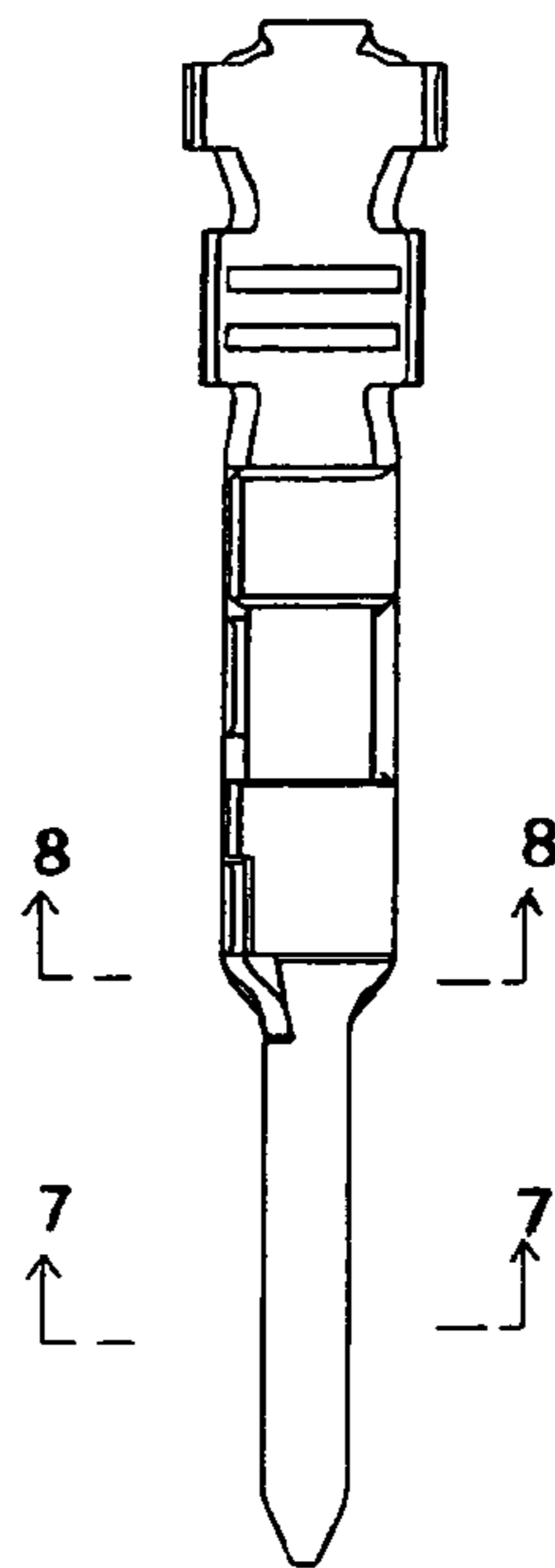


Figure 3

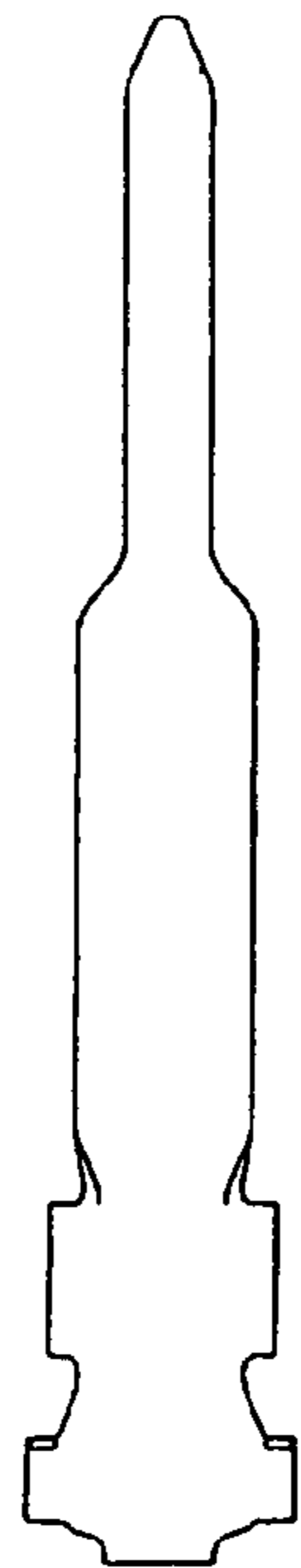


Figure 4

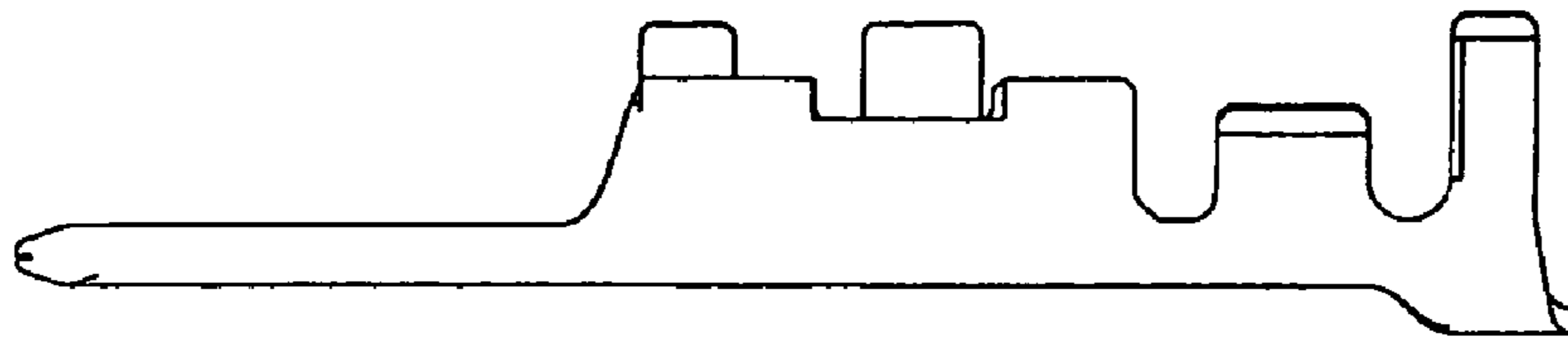


Figure 5

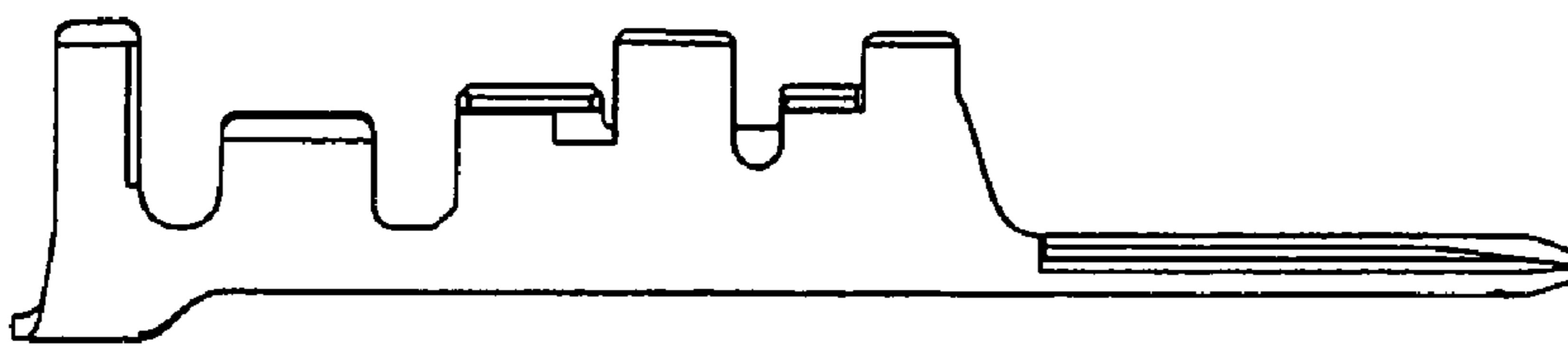


Figure 6

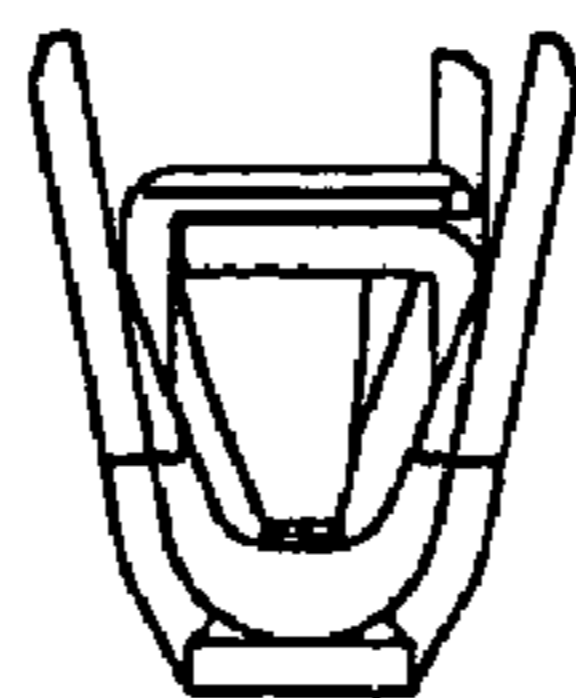


Figure 7

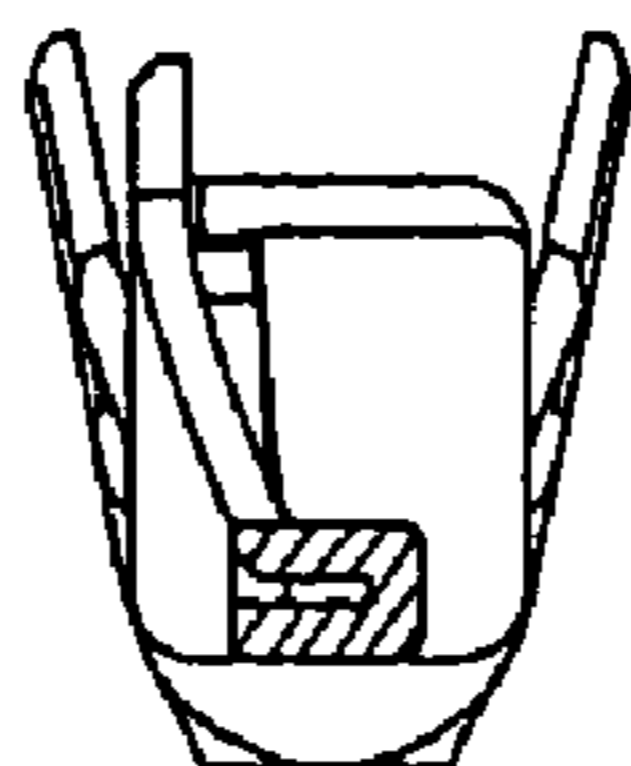


Figure 8

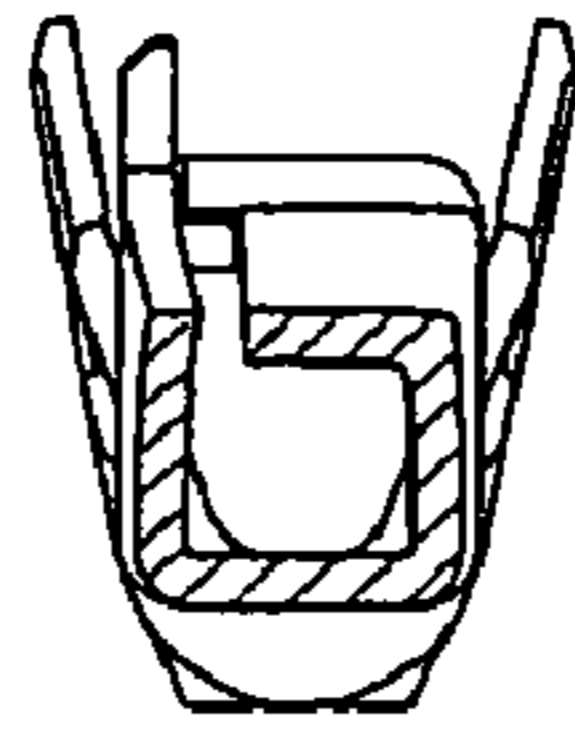


Figure 9

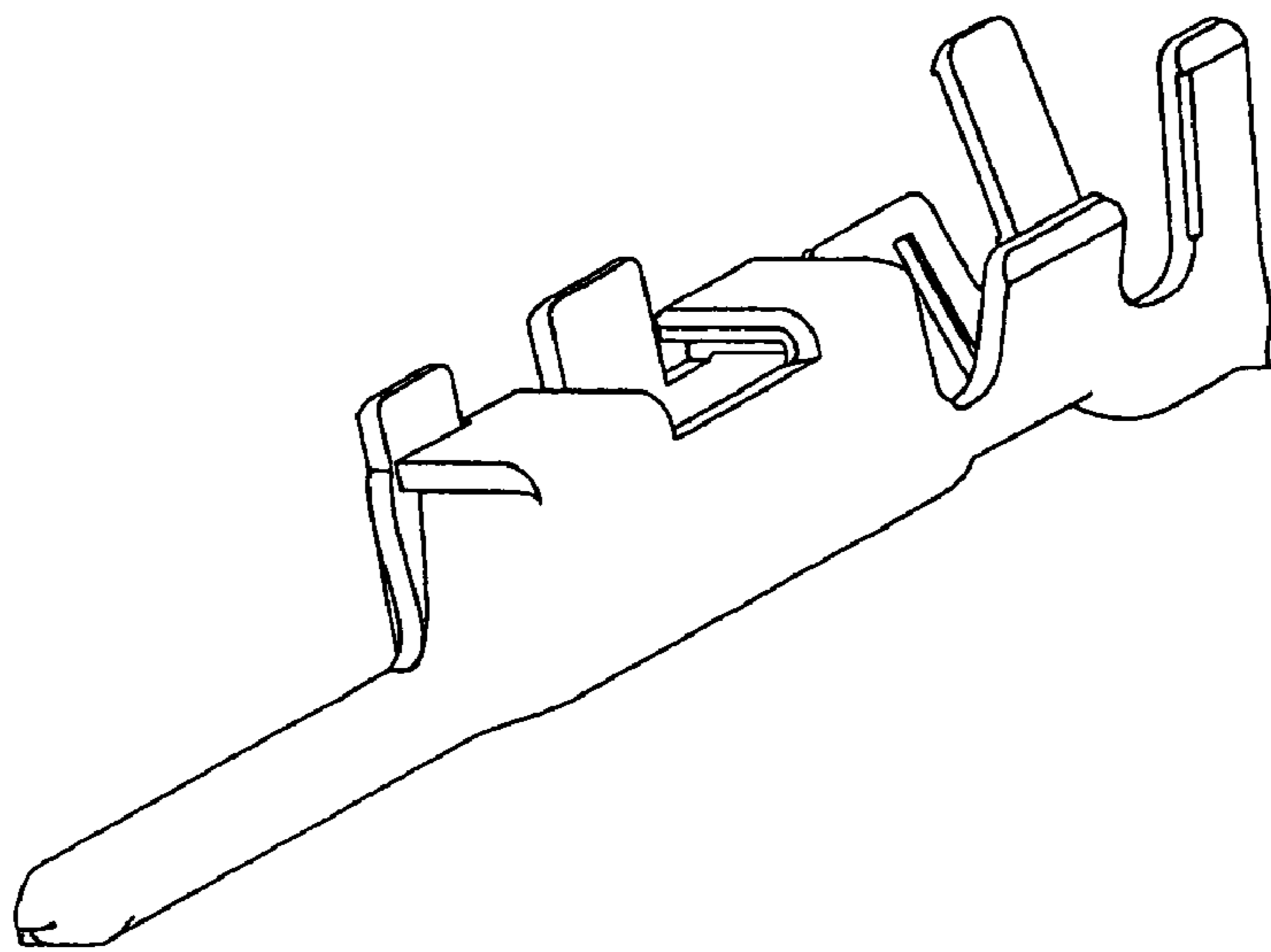


Figure 10

