

US00D568244S

(12) **United States Design Patent**
Suzuki et al.

(10) **Patent No.:** **US D568,244 S**
(45) **Date of Patent:** **** May 6, 2008**

(54) **BATTERY**

D515,499 S * 2/2006 Matsuda et al. D13/103
D556,680 S * 12/2007 Matsumoto D13/103

(75) Inventors: **Katsuhiro Suzuki**, Tokyo (JP);
Masayuki Enari, Tokyo (JP); **Tetsuro**
Miyazaki, Tokyo (JP)

FOREIGN PATENT DOCUMENTS

(73) Assignee: **Sony Corporation**, Tokyo (JP)

JP D942492/9 S 2/2000
JP D942492/10 S 2/2000
JP D1201854 S 4/2004
JP D1269248 S 4/2006
JP D1269561 S 4/2006
JP D1269562 S 4/2006

(**) Term: **14 Years**

* cited by examiner

(21) Appl. No.: **29/287,349**

(22) Filed: **Jul. 26, 2007**

Primary Examiner—Robin V. Webster
Assistant Examiner—Rosemary K Tarcza
(74) *Attorney, Agent, or Firm*—Rader, Fishman & Grauer,
PLLC

(30) **Foreign Application Priority Data**

Apr. 6, 2007 (JP) D2007-009178

(51) **LOC (8) Cl.** **13-02**

(52) **U.S. Cl.** **D13/119**

(58) **Field of Classification Search** D13/102–106,
D13/110, 118–119, 184; 429/96–100, 163,
429/176

See application file for complete search history.

(57) **CLAIM**

The ornamental design for a battery, as shown and described.

DESCRIPTION

FIG. 1 is a perspective view of a battery showing our new design;

FIG. 2 is a front elevational view thereof;

FIG. 3 is a rear elevation view thereof;

FIG. 4 is a left side elevational view thereof;

FIG. 5 is a right side elevational view thereof;

FIG. 6 is a top plan view thereof; and,

FIG. 7 is a bottom plan view thereof.

The portions of FIGS. 1–7 that are shown as broken lines are for illustrative purposes only and form no part of the claimed design.

(56) **References Cited**

U.S. PATENT DOCUMENTS

D403,656 S * 1/1999 Ichikawa D13/103
D417,187 S 11/1999 Maeyama
D417,188 S * 11/1999 Maeyama D13/103
D417,861 S * 12/1999 Maeyama D13/103
D432,982 S 10/2000 Miyashita
D437,579 S * 2/2001 Toops et al. D13/103
D439,217 S * 3/2001 Melnicoff D13/103
D446,183 S 8/2001 Miyashita
6,521,370 B1 * 2/2003 Takeshita et al. 429/96
D487,250 S 3/2004 Kikutani
D503,922 S * 4/2005 Shimizu D13/103

1 Claim, 7 Drawing Sheets

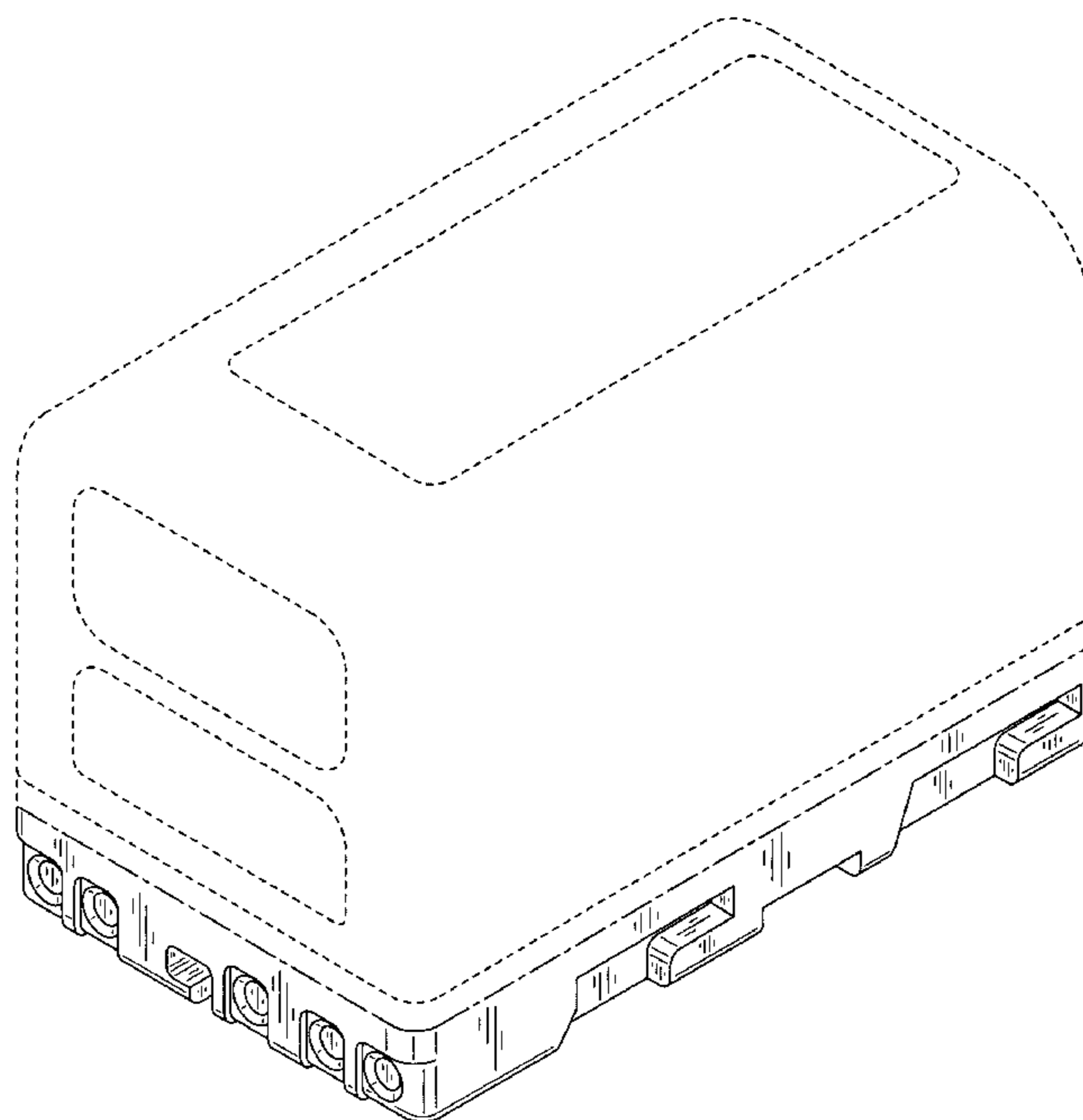


Fig.1

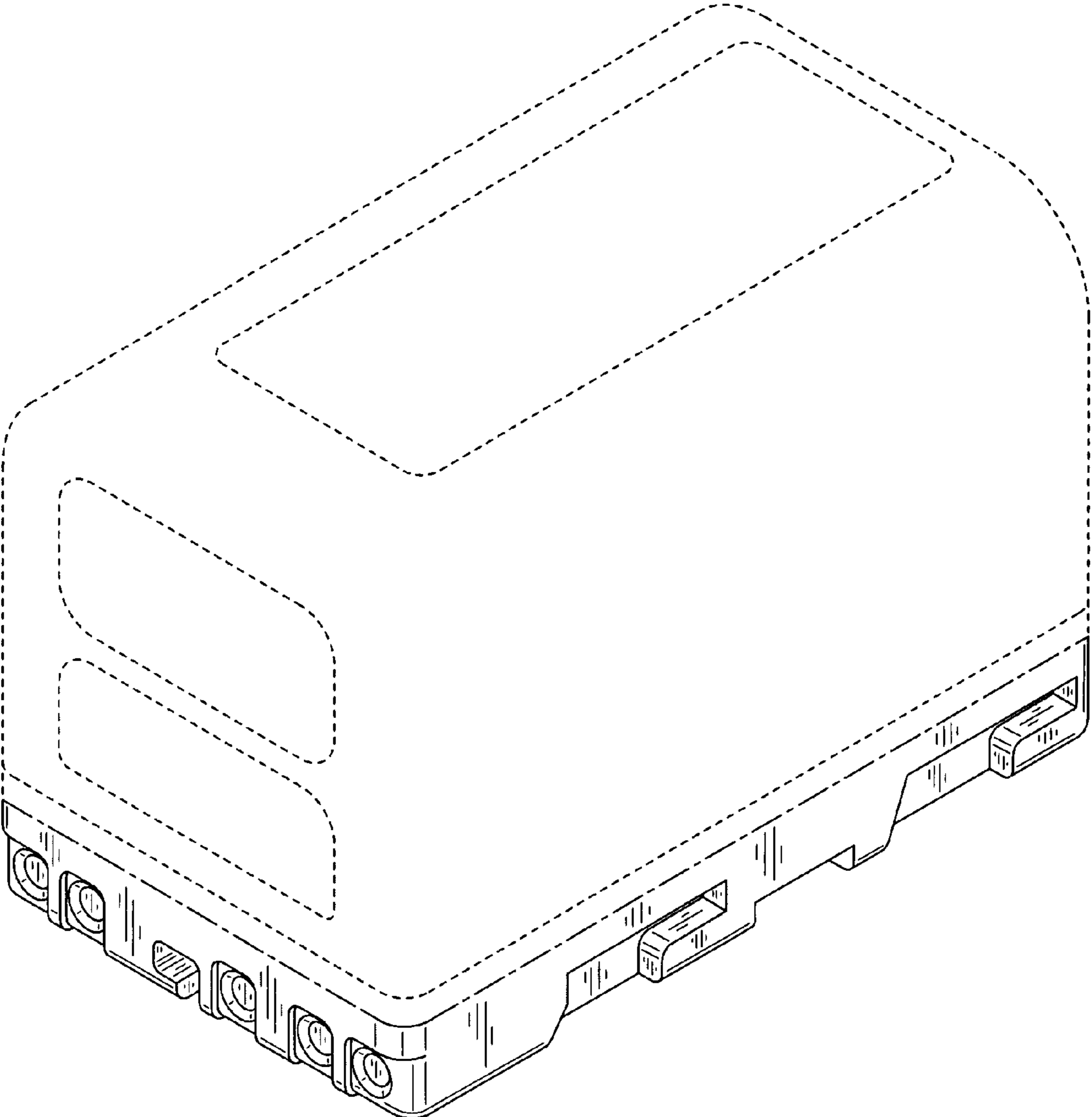


Fig.2

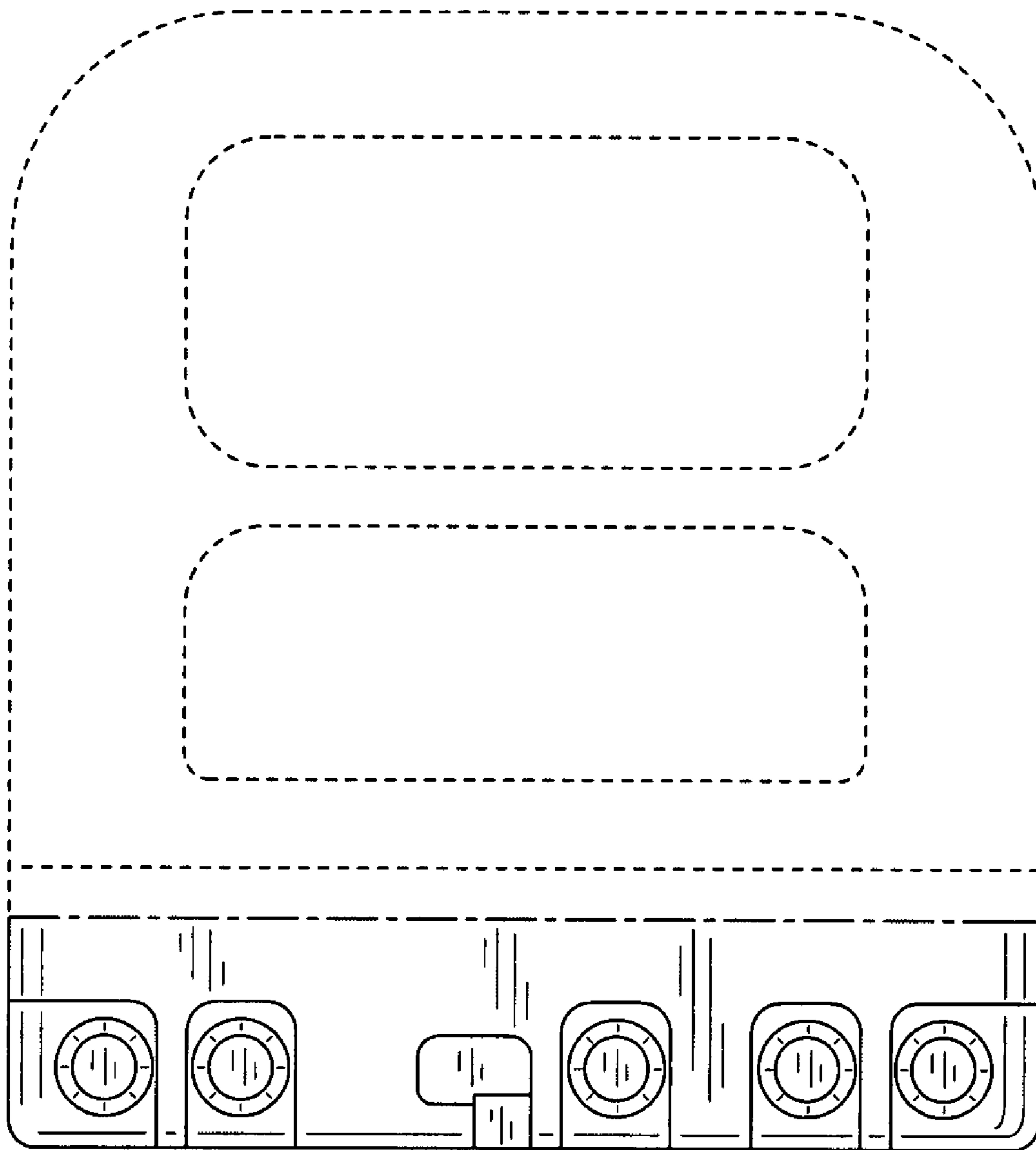


Fig.3

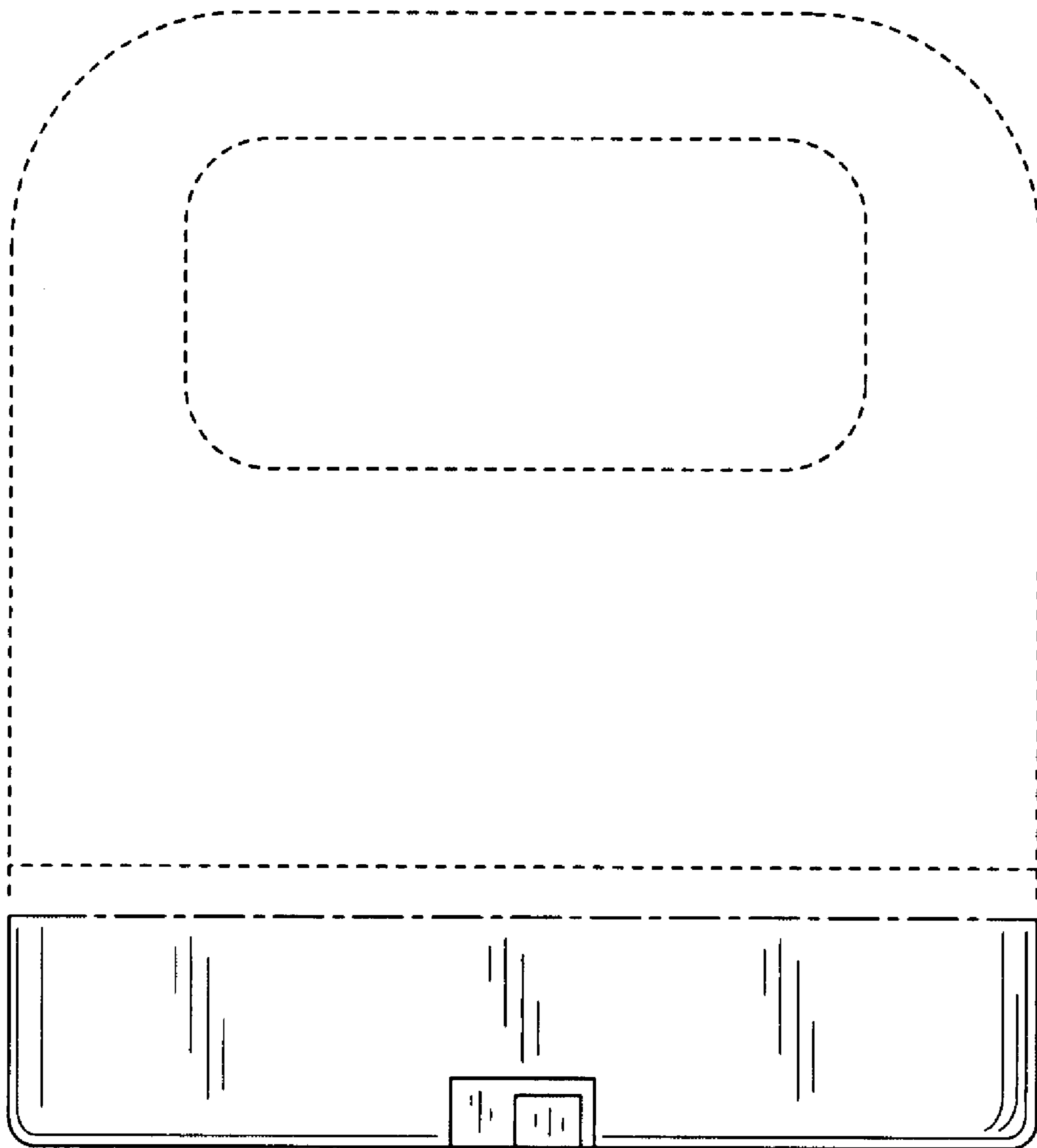


Fig.4

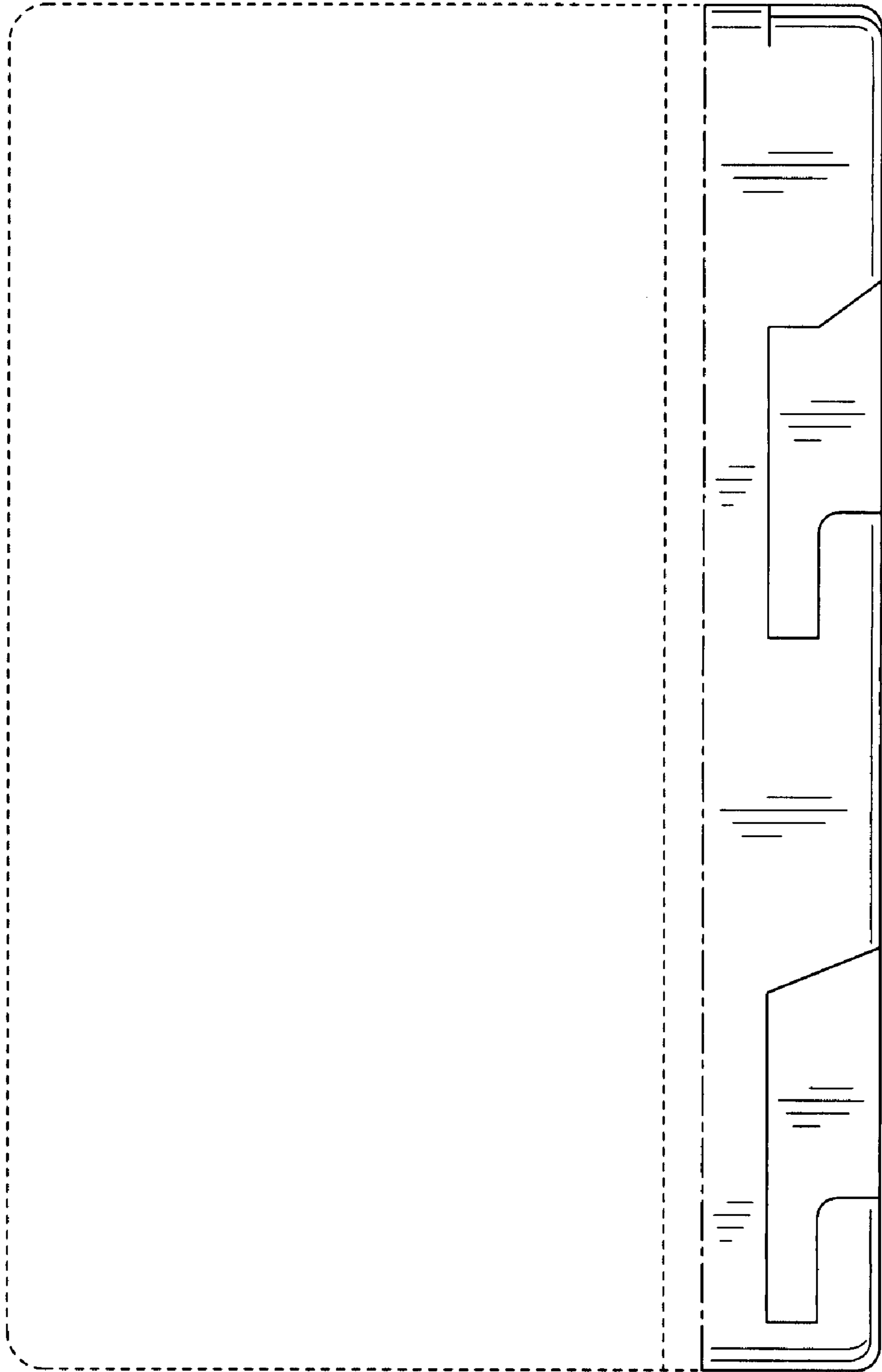


Fig.5

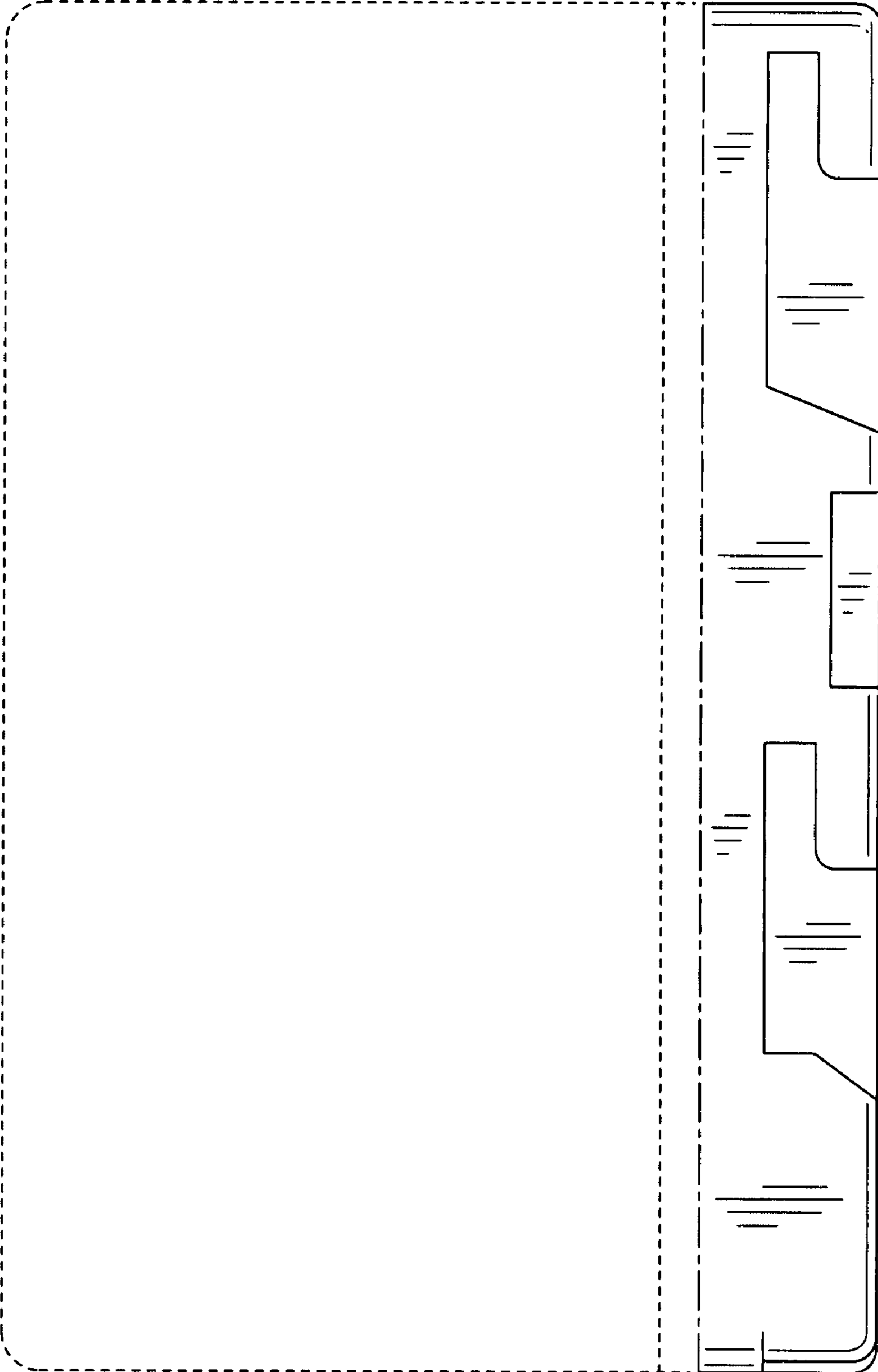


Fig.6

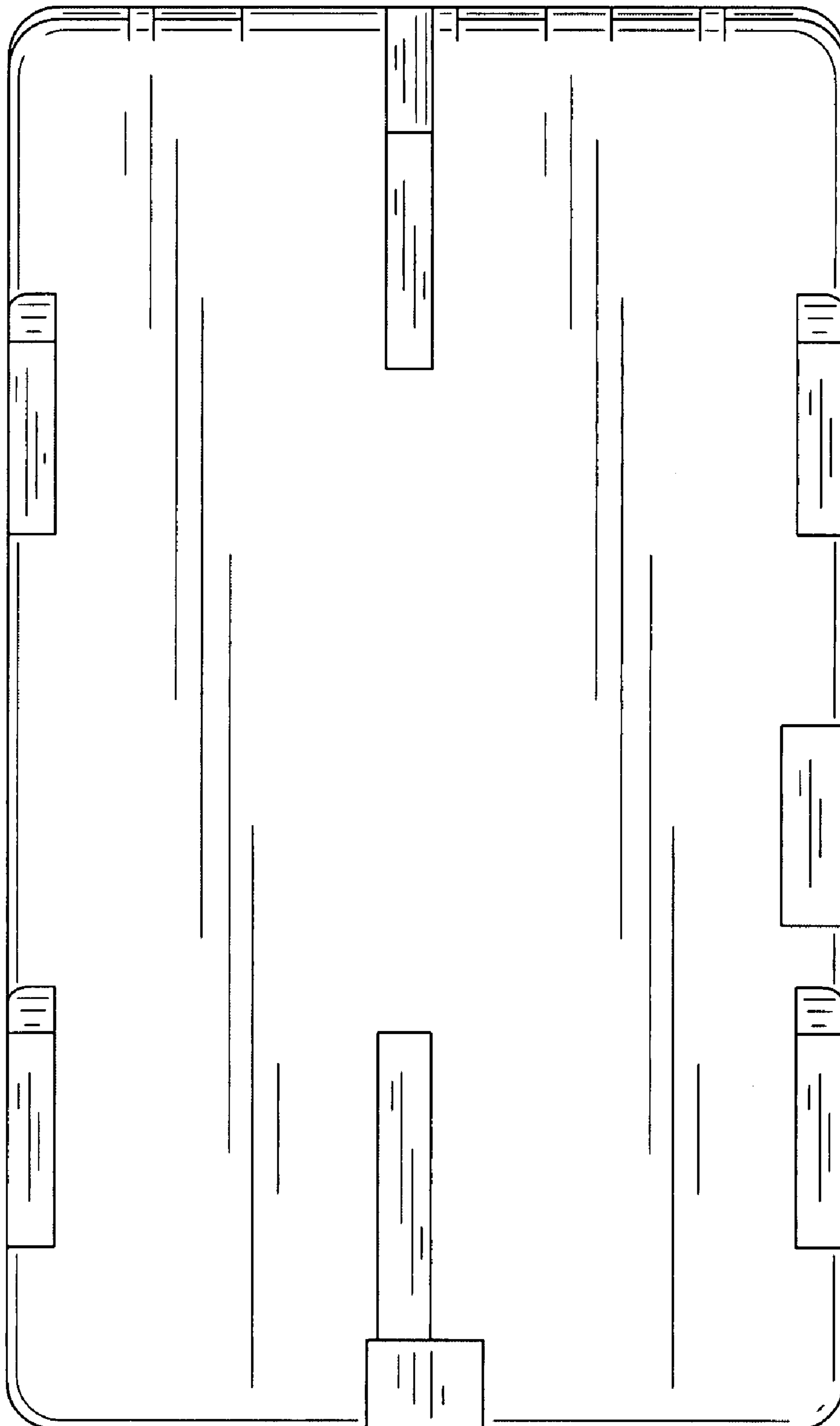


Fig.7

