



US00D568243S

(12) **United States Design Patent**
Jidaisho

(10) **Patent No.:** **US D568,243 S**
(45) **Date of Patent:** **** May 6, 2008**

(54) **AC-DC CONVERTER**

D483,721 S * 12/2003 Kim et al. D13/110

(75) Inventor: **Toshihiko Jidaisho**, Sakado (JP)

(73) Assignee: **Tamura Corporation**, Tokyo (JP)

(**) Term: **14 Years**

(21) Appl. No.: **29/270,797**

(22) Filed: **Jan. 3, 2007**

(30) **Foreign Application Priority Data**

Jul. 6, 2006 (JP) 2006-017880

(51) **LOC (8) Cl.** **13-02**

(52) **U.S. Cl.** **D13/110**

(58) **Field of Classification Search** D13/110,
D13/101, 107, 123, 133, 138.1, 199; 307/150,
307/151; 320/111, 114; 363/15, 34, 146;
439/131, 172, 173, 668, 669

See application file for complete search history.

(56) **References Cited**

U.S. PATENT DOCUMENTS

D251,367 S *	3/1979	Tucker	D10/78
D350,113 S *	8/1994	Nagele	D13/110
D375,483 S *	11/1996	Tashiro	D13/110
6,042,400 A *	3/2000	Queffelec et al.	439/131
D423,452 S *	4/2000	Fujisawa et al.	D13/110
6,086,395 A *	7/2000	Lloyd et al.	439/172
D428,862 S *	8/2000	Queffelec et al.	D13/184
D454,537 S *	3/2002	O'Connor et al.	D13/110
D456,008 S *	4/2002	Kawanobe et al.	D13/110

FOREIGN PATENT DOCUMENTS

JP	5-16760	6/1993
JP	7-12364	4/1995
JP	8-13243	5/1996
JP	8-13244	5/1996
JP	8-13245	5/1996
JP	8-19522	6/1996
JP	D1070675	2/2000
JP	D1083343	6/2000
JP	D1094994	10/2000

* cited by examiner

Primary Examiner—Prabhakar Deshmukh

Assistant Examiner—Derrick Holland

(57) **CLAIM**

The ornamental design for an AC-DC converter, as shown and described.

DESCRIPTION

FIG. 1 is a perspective view of an AC-DC converter showing my new design;

FIG. 2 is a top plan view thereof;

FIG. 3 is a bottom plan view thereof;

FIG. 4 is a left side view thereof;

FIG. 5 is a right side view thereof;

FIG. 6 is a rear elevational view thereof; and,

FIG. 7 is front elevational view thereof.

1 Claim, 6 Drawing Sheets

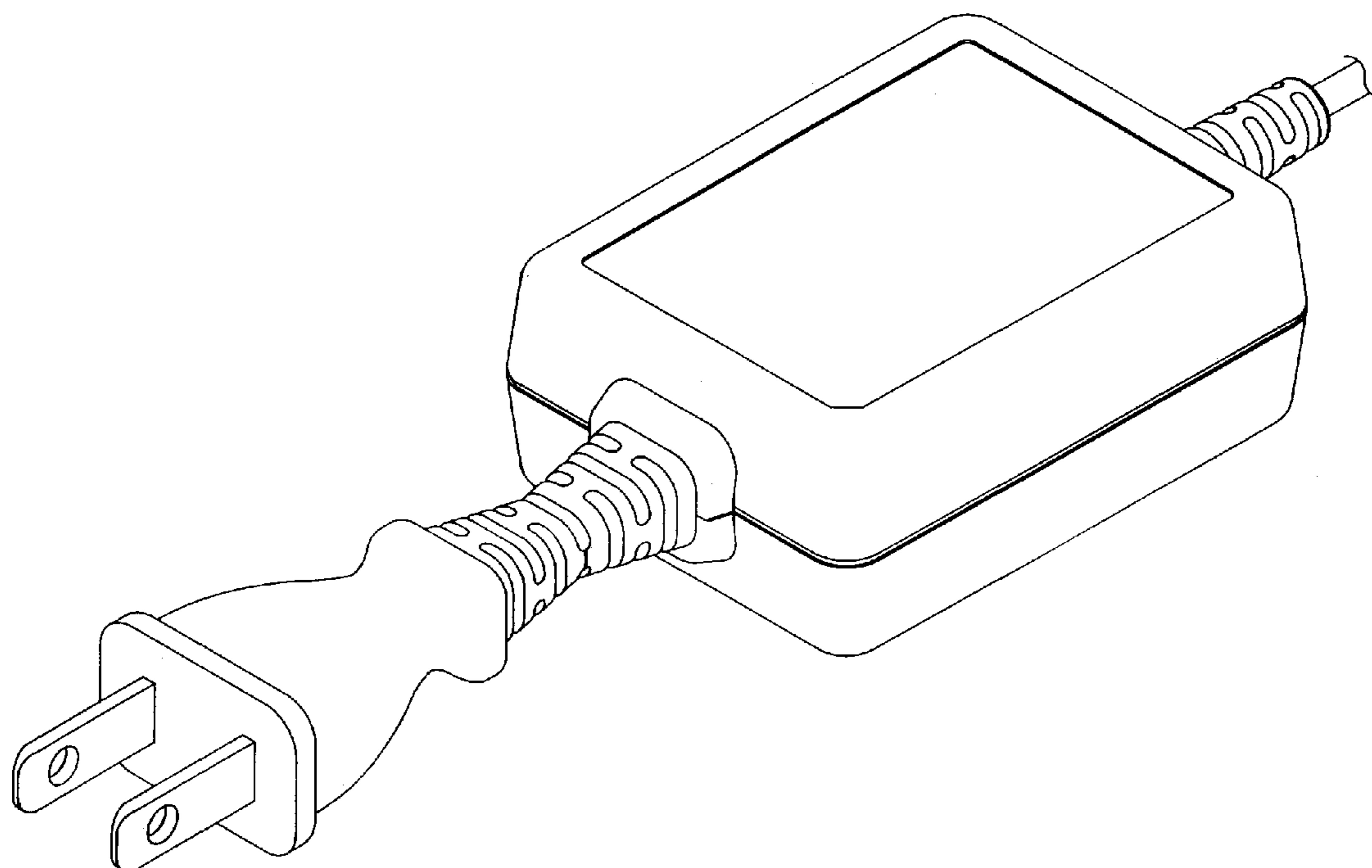


FIG.1

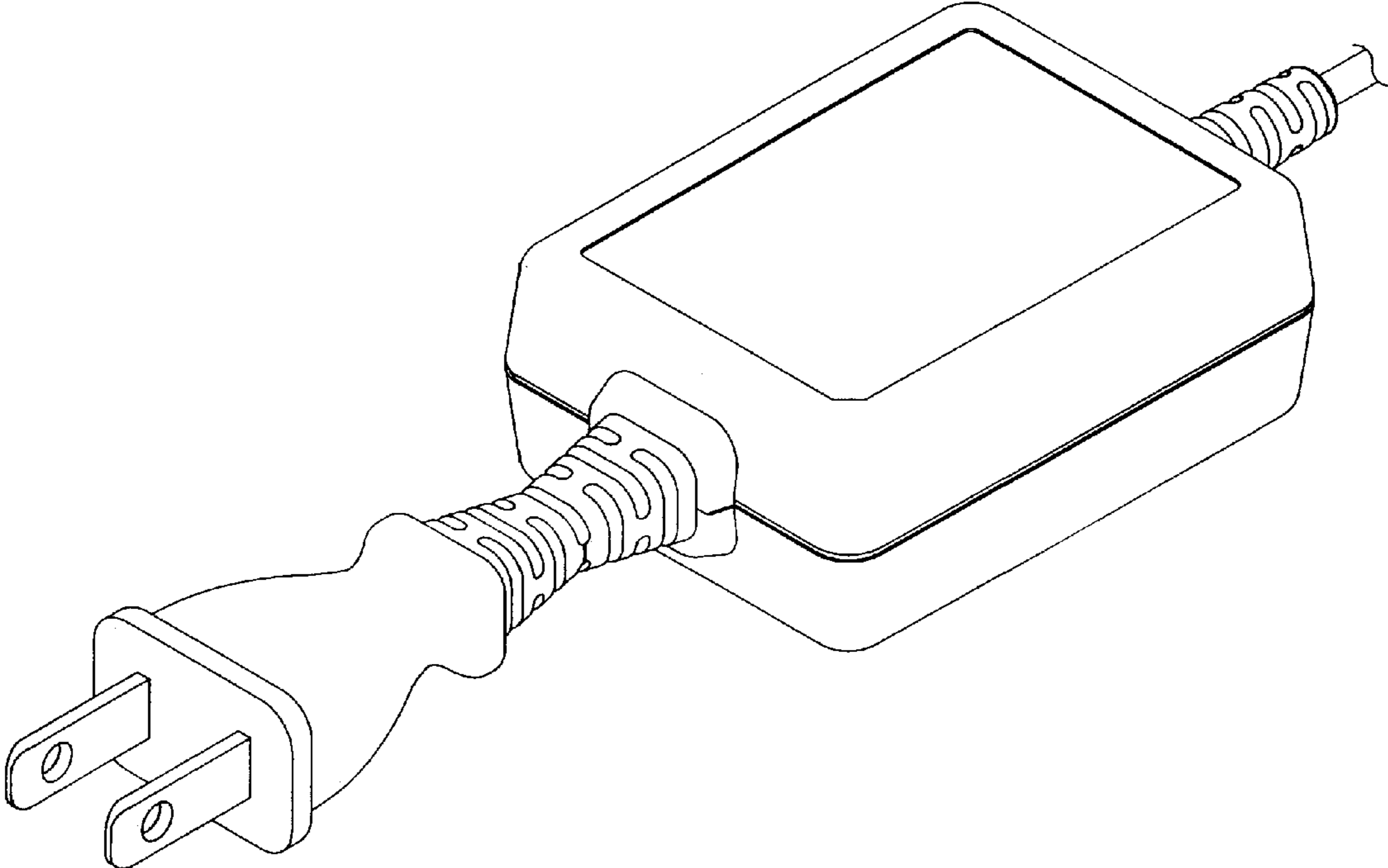


FIG. 2

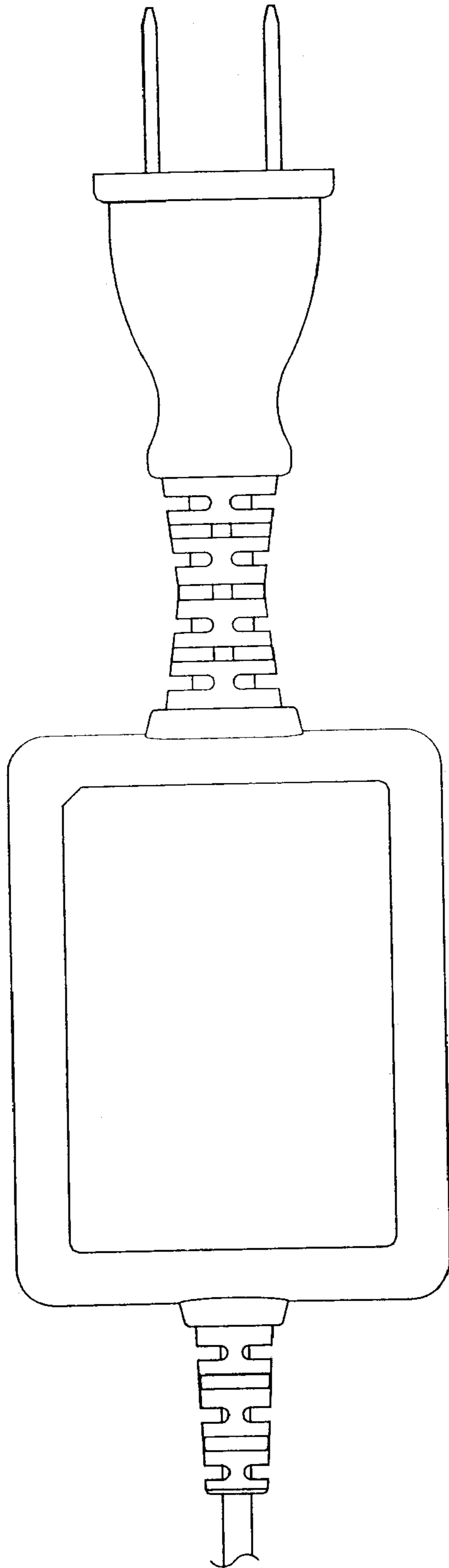


FIG. 3

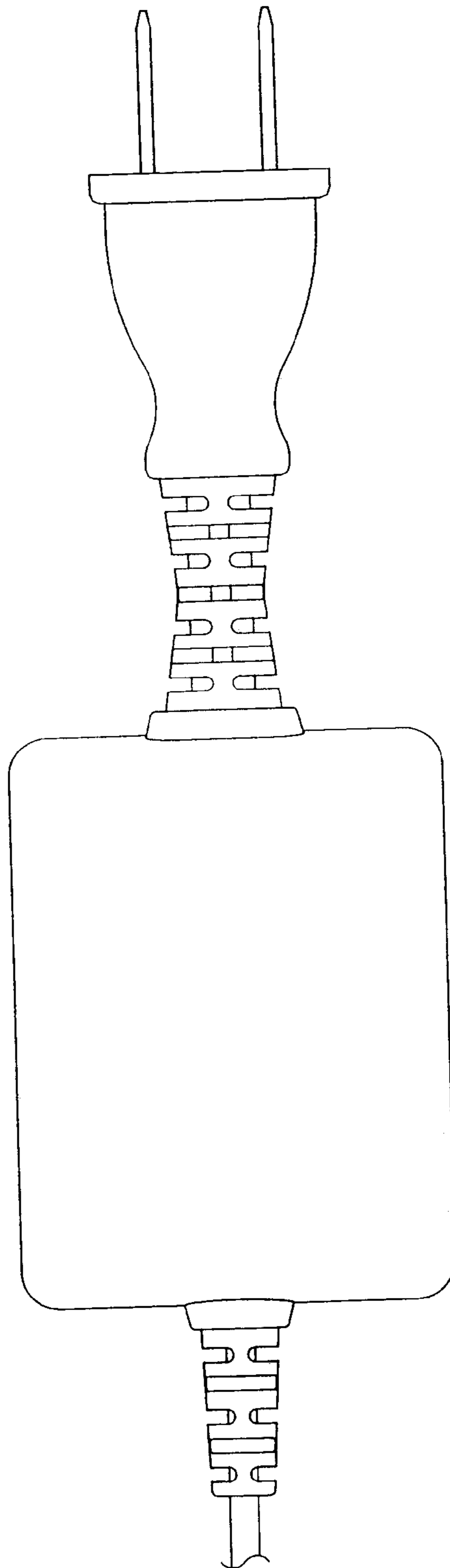


FIG. 4

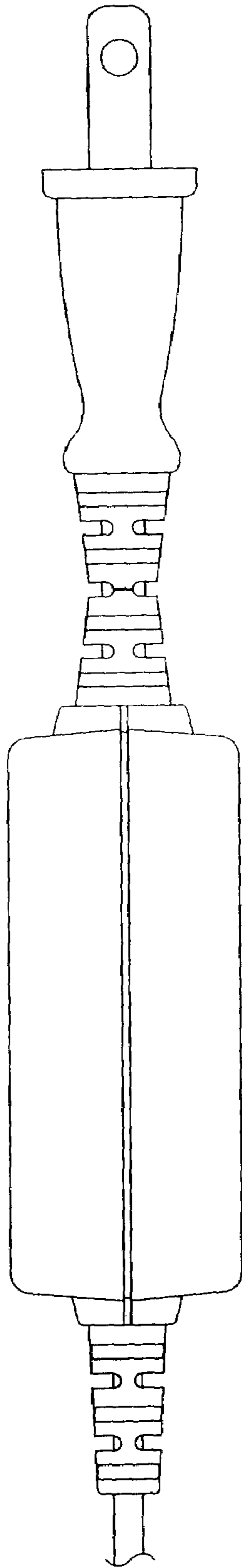


FIG. 5

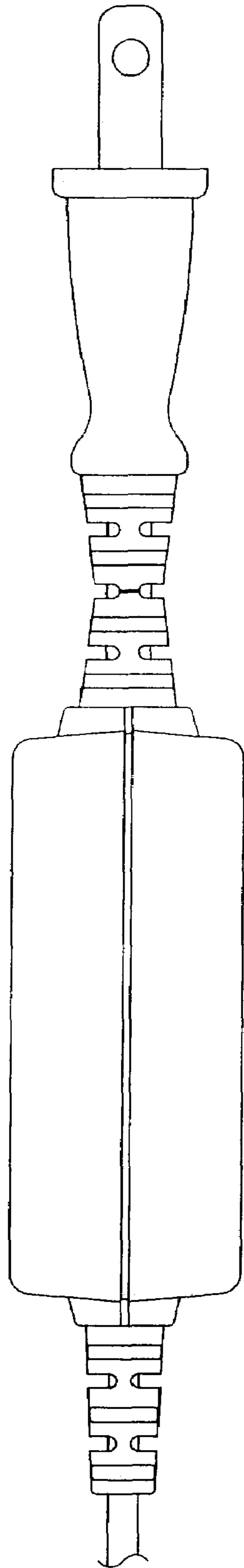


FIG. 6

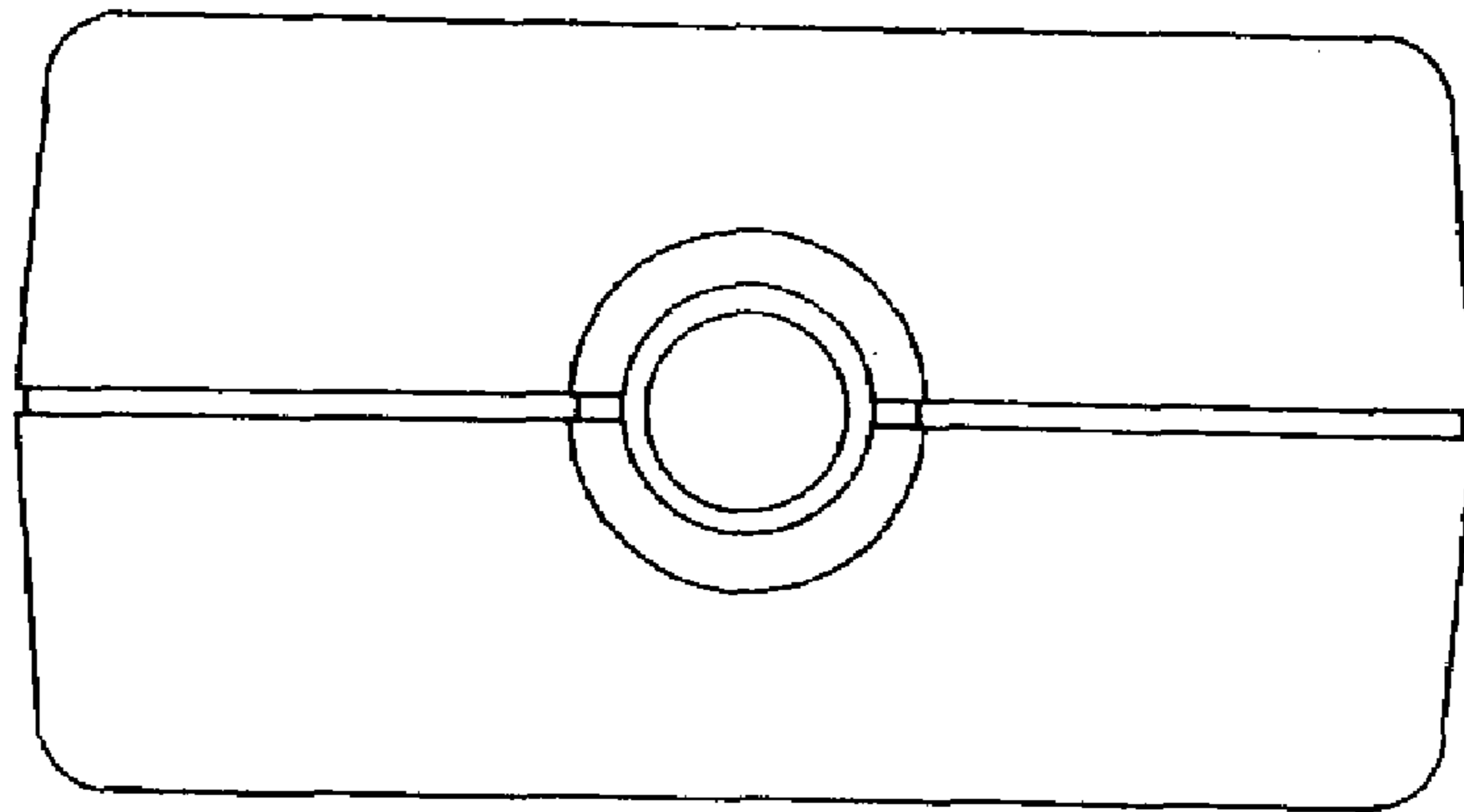


FIG. 7

