

US00D568241S

(12) **United States Design Patent** (10) **Patent No.:** **US D568,241 S**
Heine et al. (45) **Date of Patent:** **** May 6, 2008**

(54) **ACCUMULATOR**

(75) Inventors: **Helmut Heine**, Diessen (DE); **Oliver Heine**, Herrsching (DE); **Dirk Schade**, Penzberg (DE); **Elsa Ploetz**, Andechs (DE); **Stefan Knesewitsch**, Herrsching (DE); **Norbert Merkt**, Breitbrunn (DE)

(73) Assignee: **Heine Optotechnik GmbH & Co. KG**, Herrsching (DE)

(**) Term: **14 Years**

(21) Appl. No.: **29/259,256**

(22) Filed: **May 5, 2006**

(30) **Foreign Application Priority Data**

Nov. 11, 2005 (EM) 000438593-0003

(51) **LOC (8) Cl.** **13-02**

(52) **U.S. Cl.** **D13/110**

(58) **Field of Classification Search** D13/110,
D13/107, 123, 184, 199; 194/220; 307/150,
307/151; 337/186; 361/601; 363/142
See application file for complete search history.

(56) **References Cited**

U.S. PATENT DOCUMENTS

D349,682 S * 8/1994 Hunziker D13/110
6,328,612 B1 * 12/2001 Chung 439/717
D463,363 S * 9/2002 Veino et al. D13/110
D483,725 S * 12/2003 Thompson et al. D13/184
D495,297 S * 8/2004 Hriscu et al. D13/110

OTHER PUBLICATIONS

Heine Accubox and Transformer E10, Heine Gesamtkatalog 2005, p. 109, printed in Germany in Nov. 2004 (3 pages).
Undated internet publication of Welch Allyn Portable Power Source for BIO Model 74360.

* cited by examiner

Primary Examiner—Prabhakar Deshmukh

Assistant Examiner—Derrick Holland

(74) *Attorney, Agent, or Firm*—Rothwell, Figg, Ernst & Manbeck

(57) **CLAIM**

The ornamental design of an accumulator, as shown and described.

DESCRIPTION

FIG. 1 is a perspective view of an accumulator in accordance with the present invention.

FIG. 2 is a front elevational view of the accumulator of FIG. 1.

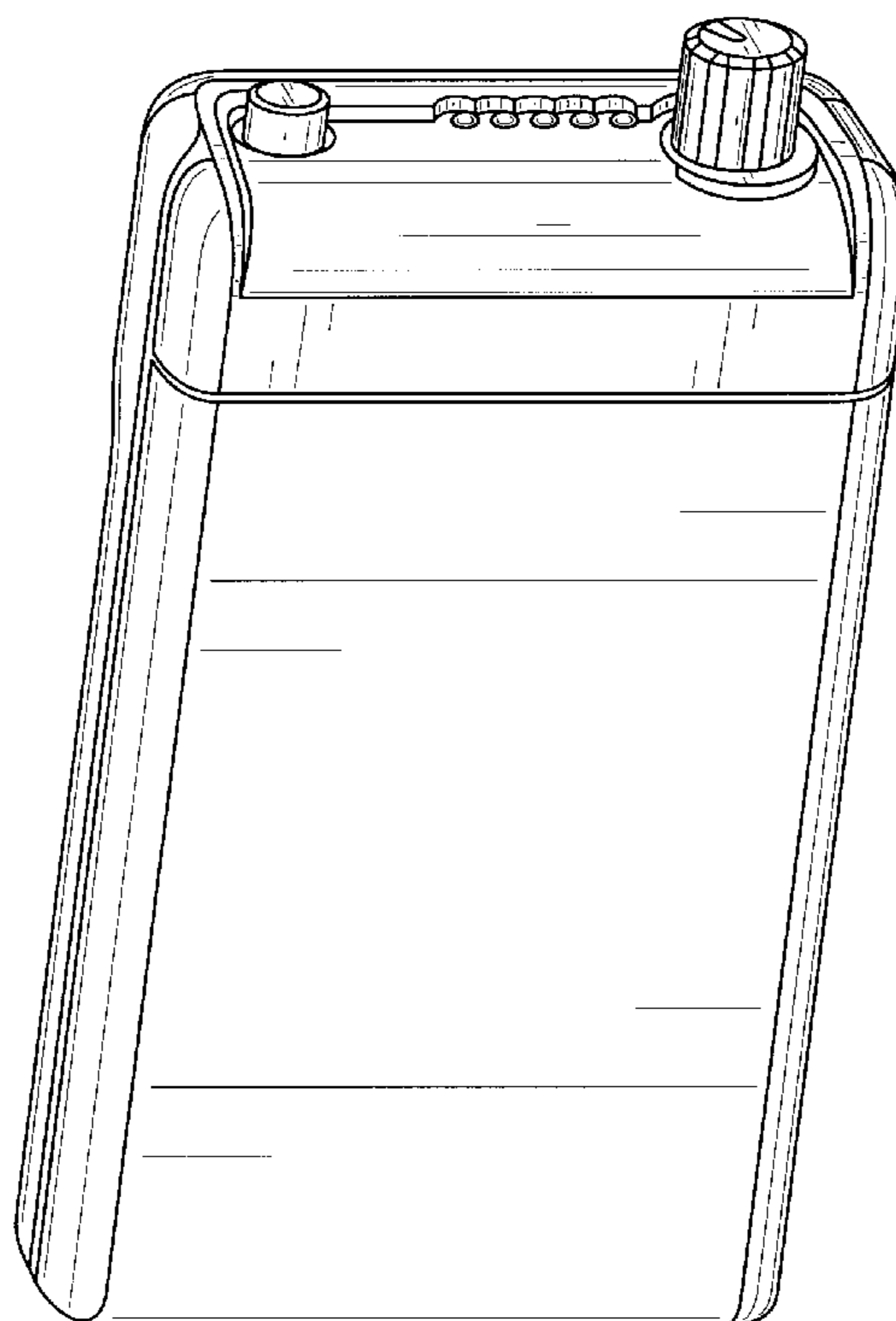
FIG. 3 is a top elevational view of the accumulator of FIG. 1.

FIG. 4 is a side elevational view of the accumulator of FIG. 1.

FIG. 5 is a rear elevational view of the accumulator of FIG. 1; and,

FIG. 6 is a bottom elevational view of the accumulator of FIG. 1.

1 Claim, 6 Drawing Sheets



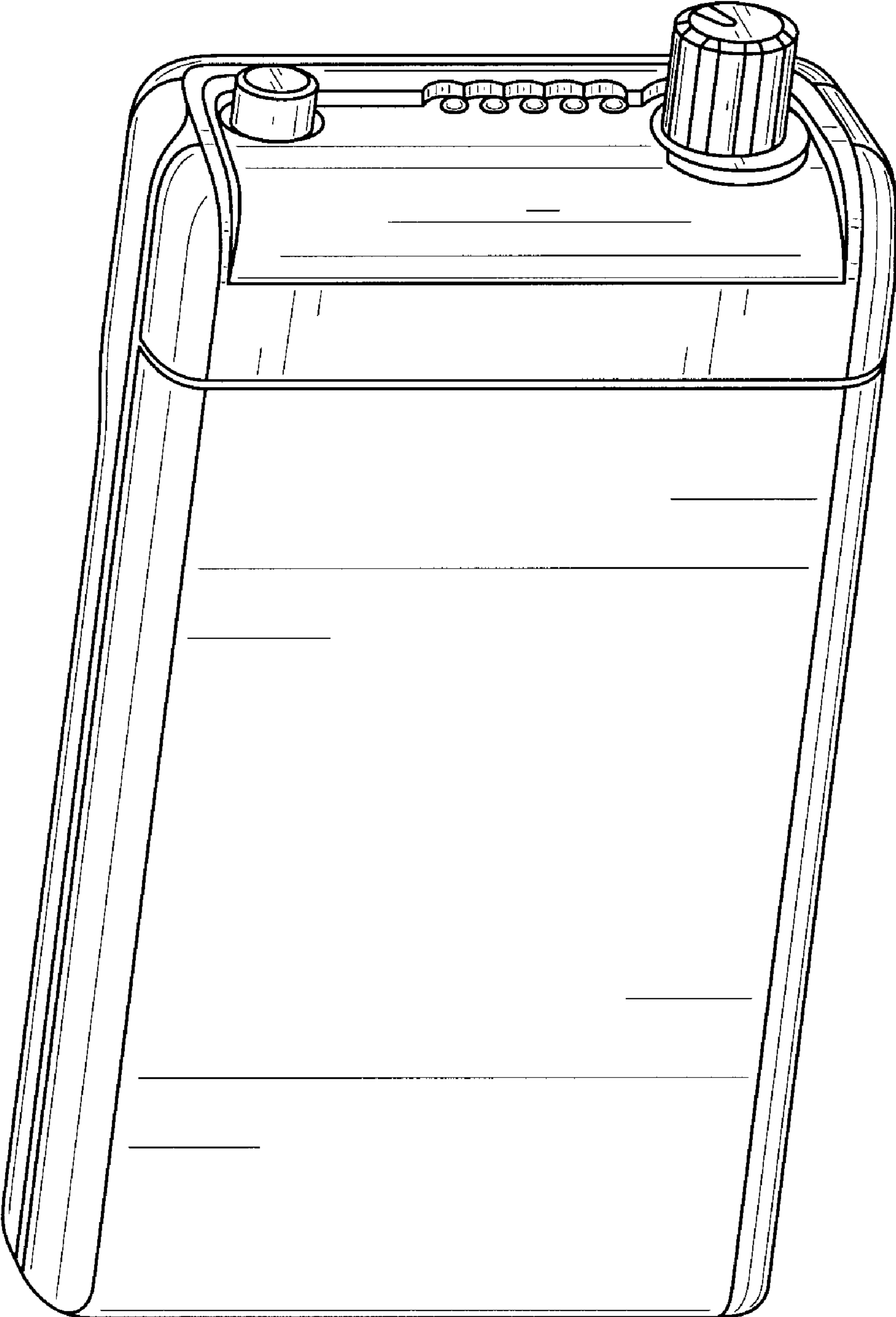


FIG. 1

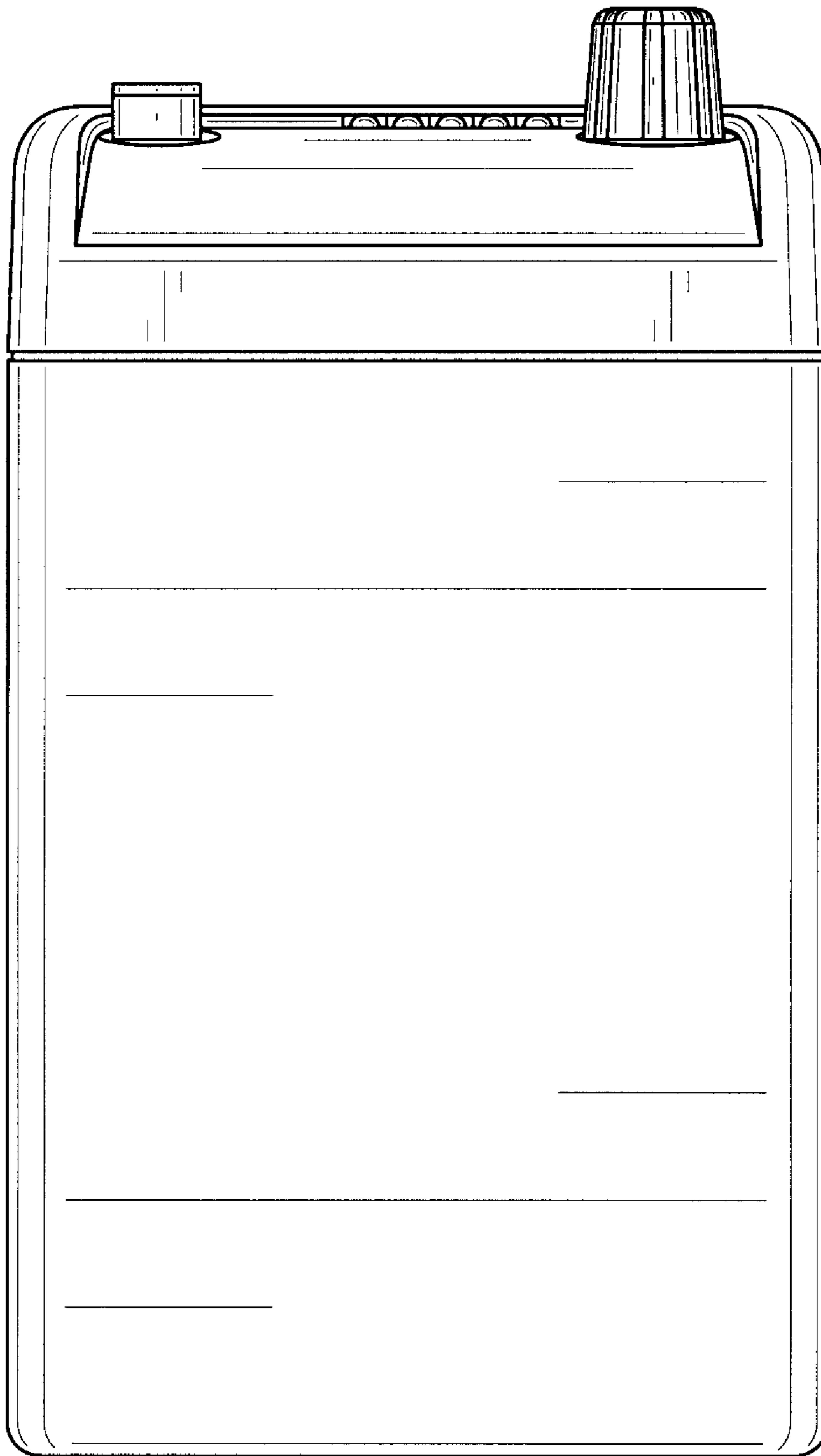


FIG. 2

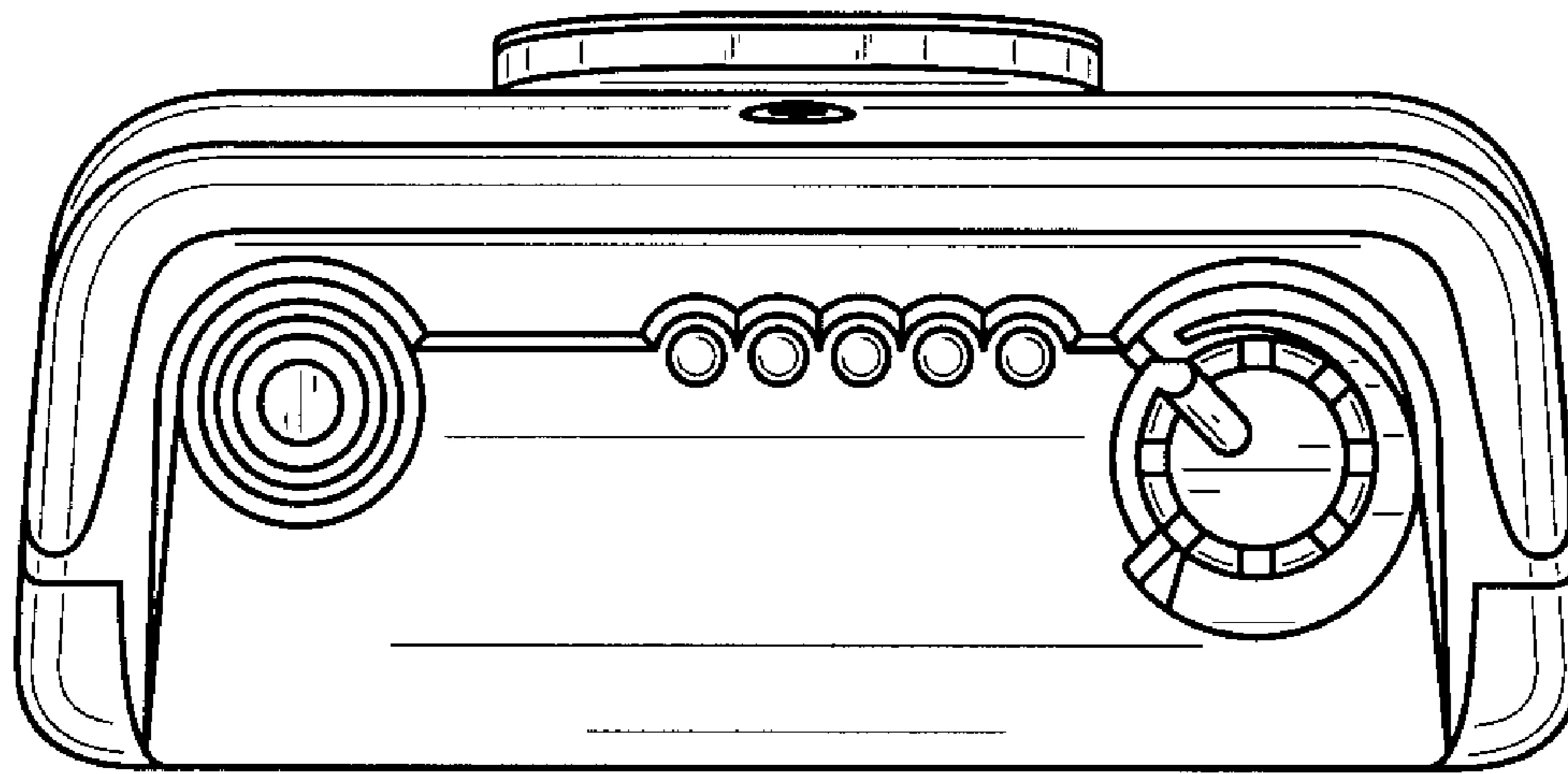


FIG. 3

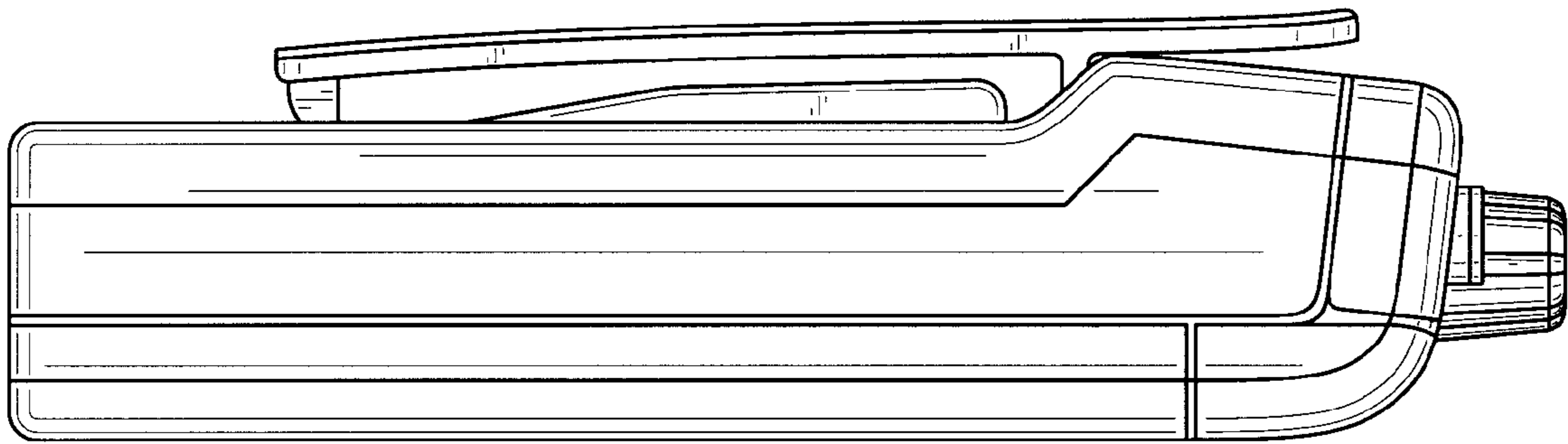


FIG. 4

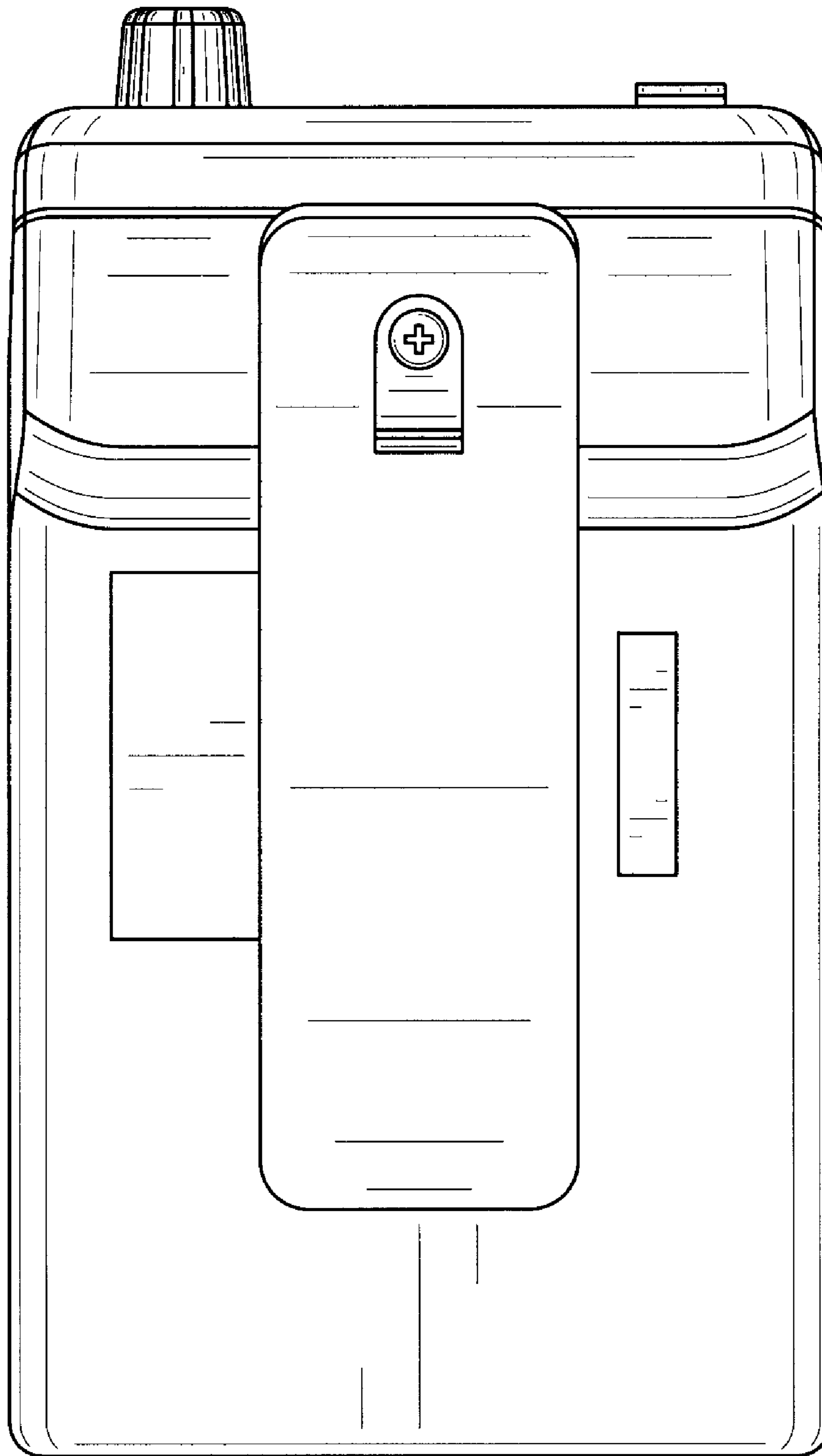


FIG. 5

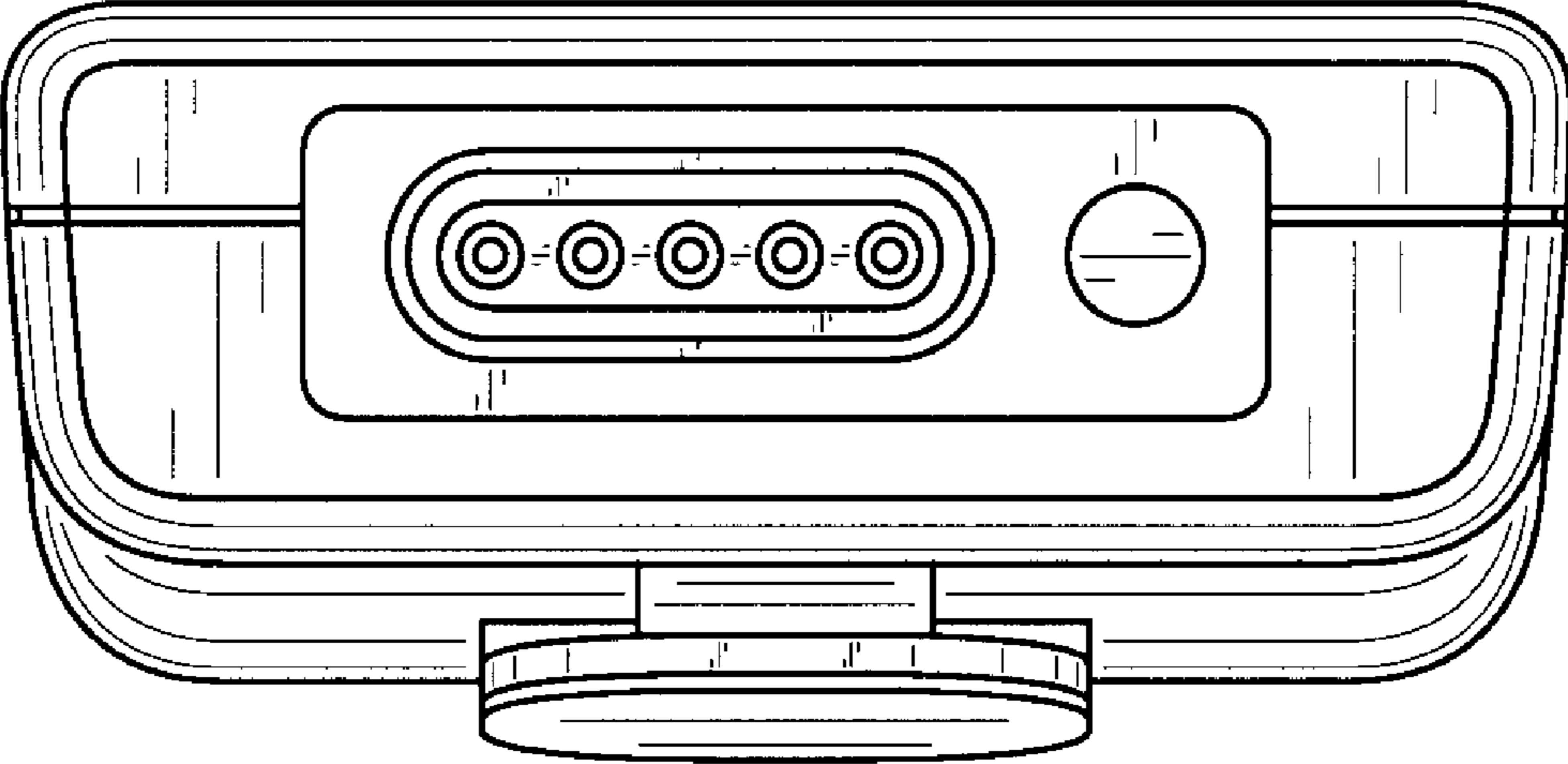


FIG. 6