



US00D568240S

(12) **United States Design Patent**
Haydvoegel

(10) **Patent No.:** **US D568,240 S**

(45) **Date of Patent:** **** May 6, 2008**

(54) **BATTERY PACK**

(76) Inventor: **Christian Haydvoegel**, Schrackgasse
11a, Kindberg (AT) A-8650

(**) Term: **14 Years**

(21) Appl. No.: **29/287,307**

(22) Filed: **Jul. 23, 2007**

(51) **LOC (8) Cl.** **13-02**

(52) **U.S. Cl.** **D13/103**

(58) **Field of Classification Search** D13/102-106,
D13/110, 118-119, 184; 429/96-100, 163,
429/176

See application file for complete search history.

(56) **References Cited**

U.S. PATENT DOCUMENTS

D344,061	S	*	2/1994	Tse	D13/103
5,683,831	A	*	11/1997	Baril et al.	429/96
D398,899	S	*	9/1998	Chaco	D13/103
D399,819	S	*	10/1998	Iida	D13/103
D483,722	S	*	12/2003	Bailey	D13/119
D492,649	S	*	7/2004	Resch et al.	D13/103
D503,923	S	*	4/2005	Asherian	D13/103
D505,401	S	*	5/2005	Nussberger et al.	D13/184
6,977,124	B2	*	12/2005	Probst et al.	429/163
D517,982	S	*	3/2006	Rad et al.	D13/103
D518,451	S	*	4/2006	Nussberger et al.	D13/184
7,074,520	B2	*	7/2006	Probst et al.	429/176

2003/0017372 A1* 1/2003 Probst et al. 429/7

* cited by examiner

Primary Examiner—Robin V. Webster

Assistant Examiner—Rosemary K Tarcza

(74) *Attorney, Agent, or Firm*—Jacobson Holman PLLC

(57) **CLAIM**

I claim the ornamental design for the battery pack, as shown and described.

DESCRIPTION

FIG. 1 is a front perspective view of the battery pack according to my design;

FIG. 2 is a rear perspective view of the battery pack as shown in FIG. 1;

FIG. 3 is a top plan view of the battery pack as shown in FIG. 1;

FIG. 4 is a bottom plan view of the battery pack as shown in FIG. 1;

FIG. 5 is a front elevational view of the battery pack as shown in FIG. 1;

FIG. 6 is a rear elevational view of the battery pack as shown in FIG. 1; and,

FIG. 7 is a left side elevational view of the battery pack as shown in FIG. 1.

1 Claim, 6 Drawing Sheets

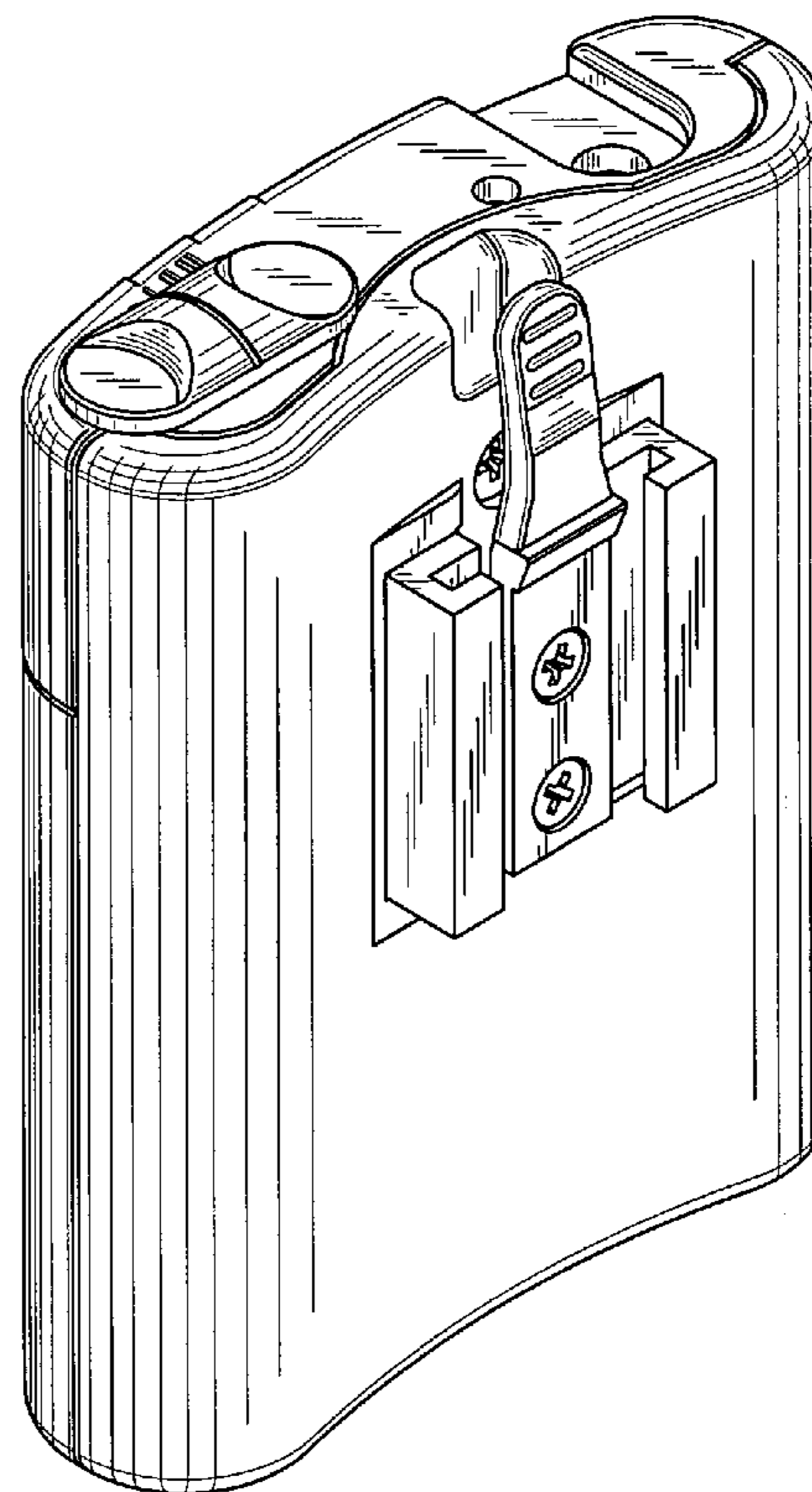
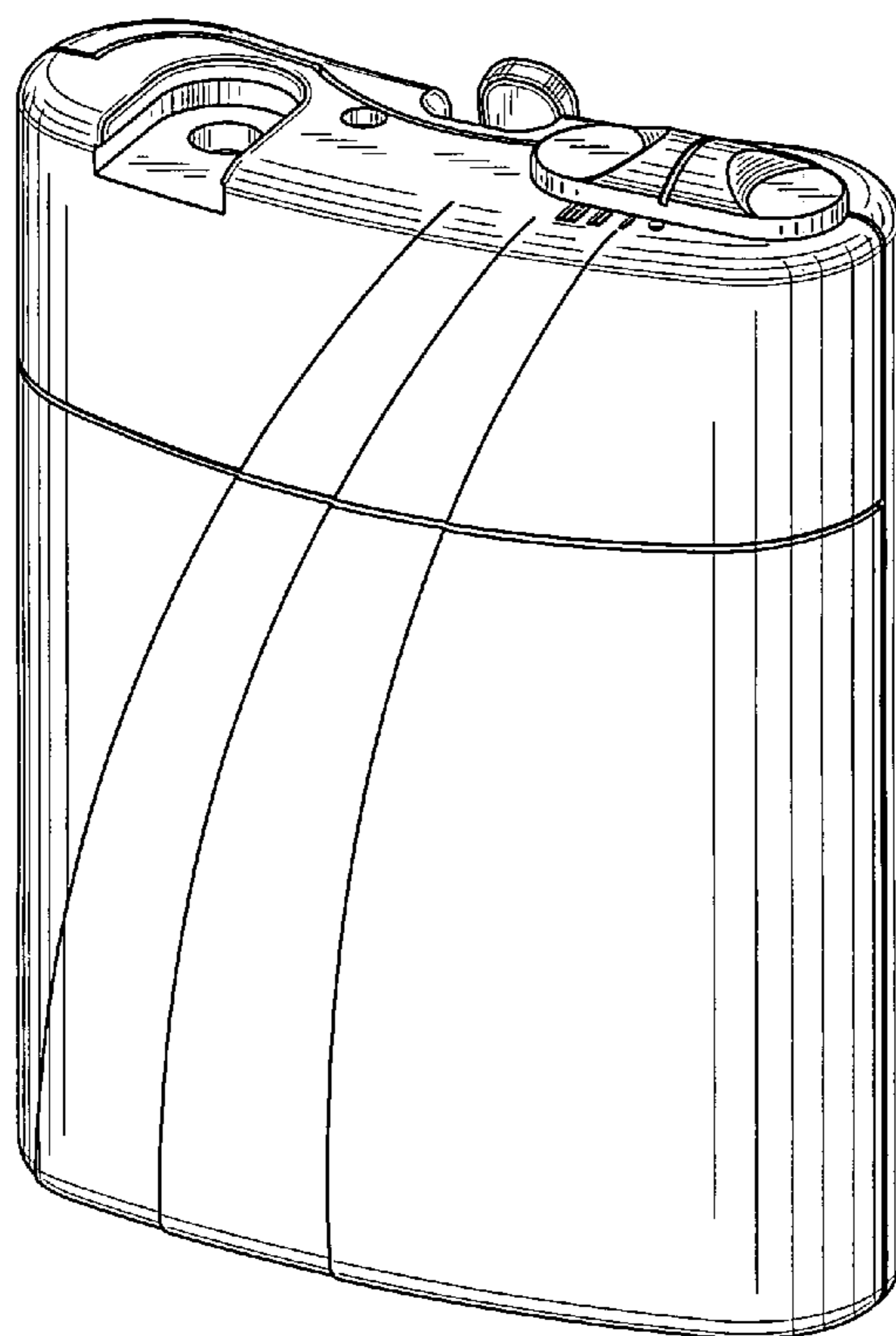


FIG. 1

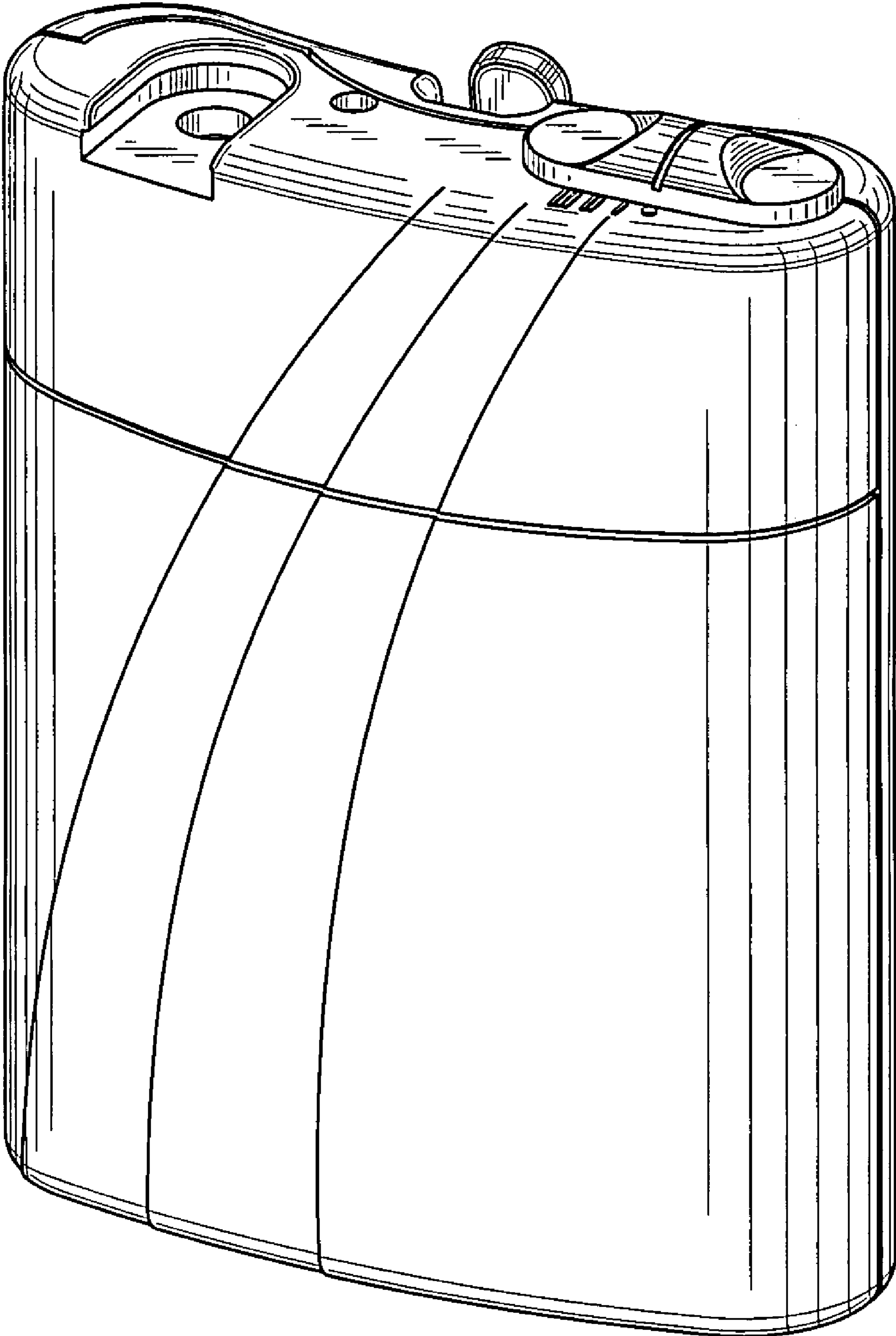


FIG. 2

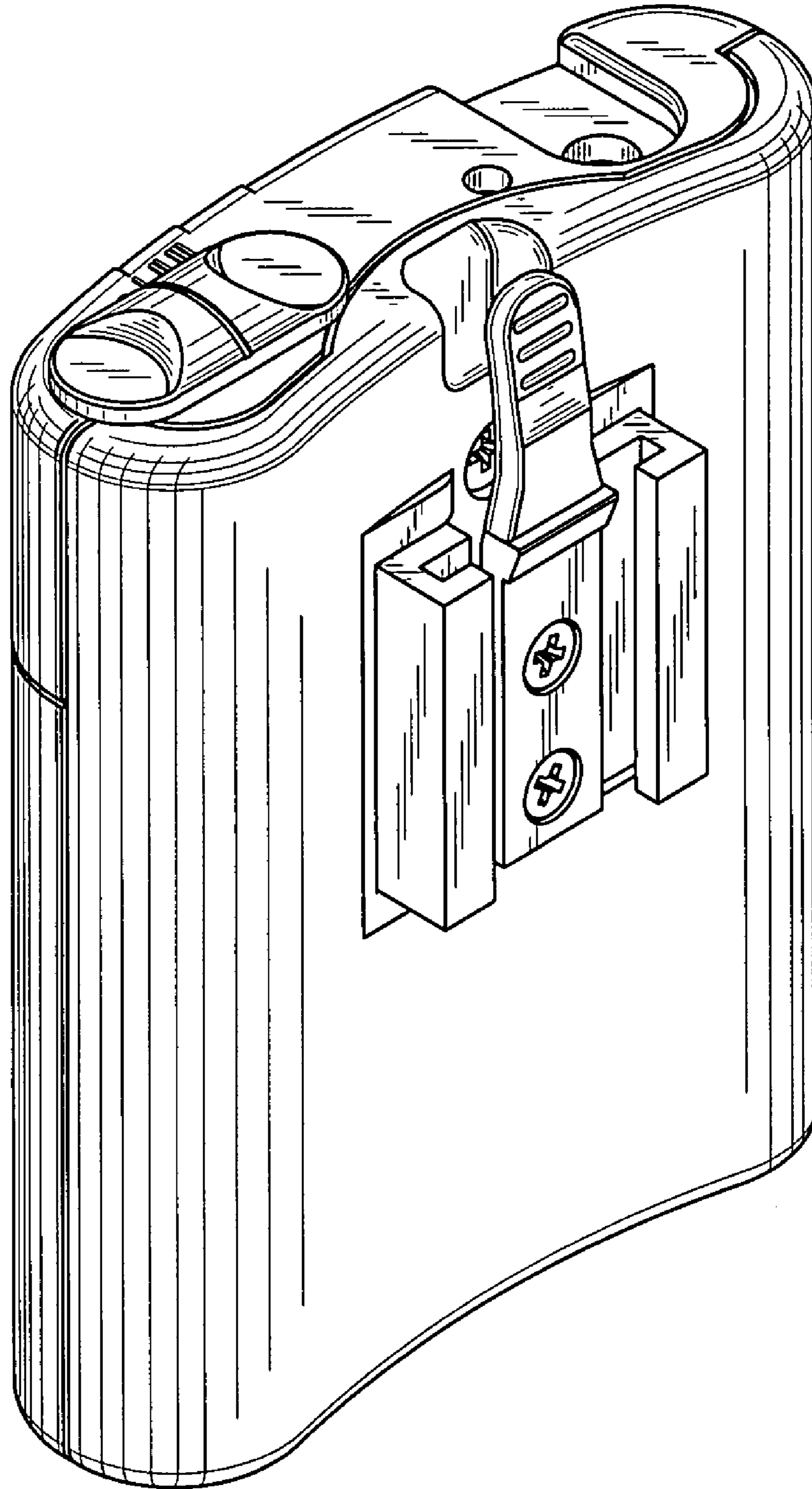


FIG. 3

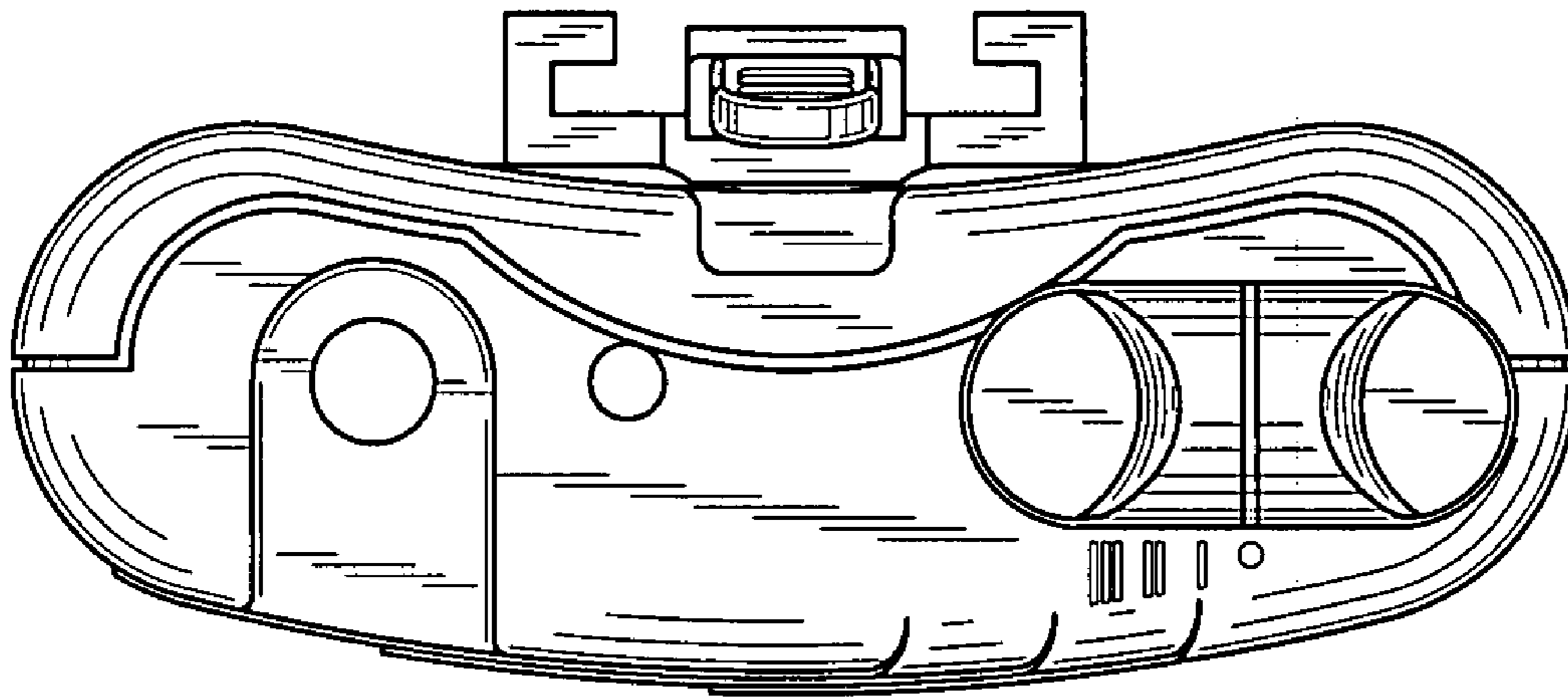


FIG. 4

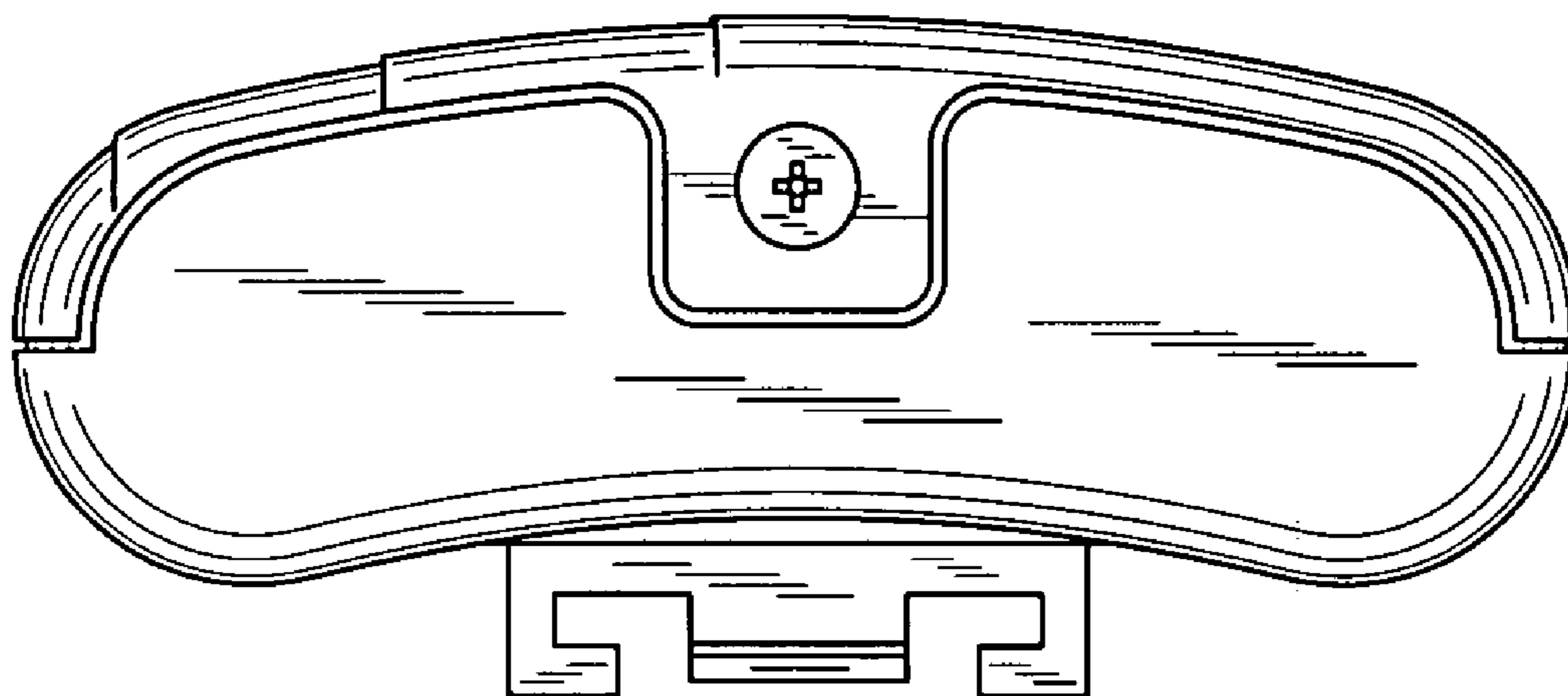


FIG. 5

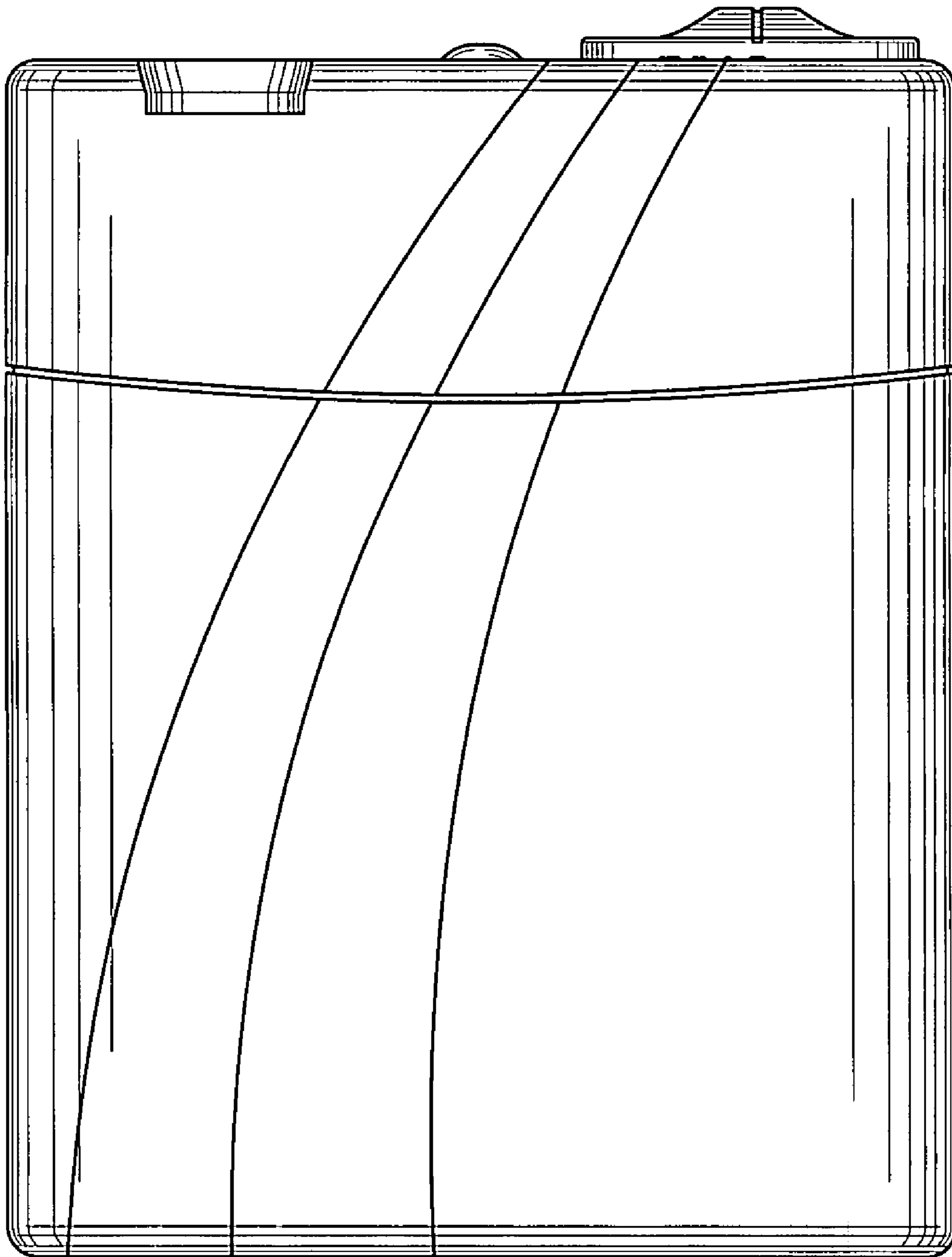


FIG. 6

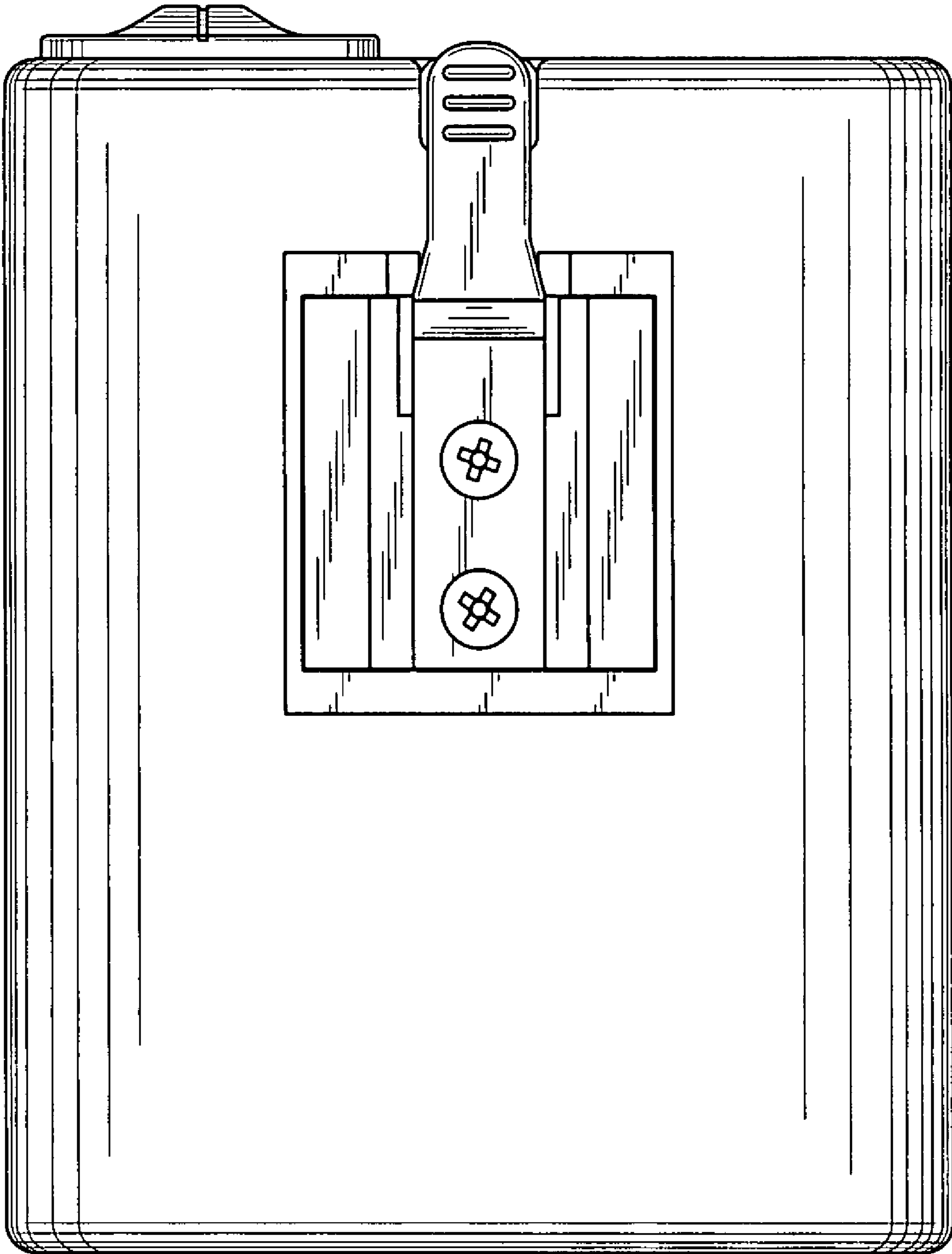


FIG. 7

