



US00D568238S

(12) **United States Design Patent**
Sharma et al.

(10) **Patent No.:** **US D568,238 S**
(45) **Date of Patent:** **** May 6, 2008**

(54) **RECTANGULAR SOLAR CELL PACKAGE DESIGN**

(75) Inventors: **Suvi Sharma**, Berkeley, CA (US);
Kevin Gibson, Redwood City, CA (US);
Alelie Funcell, Berkeley, CA (US)

(73) Assignee: **Solaria Corporation**, Berkeley, CA (US)

(**) Term: **14 Years**

(21) Appl. No.: **29/243,062**

(22) Filed: **Nov. 18, 2005**

(51) **LOC (8) Cl.** **13-02**

(52) **U.S. Cl.** **D13/102**

(58) **Field of Classification Search** D13/102,
D13/101, 103, 184, 199; 126/561; 136/206,
136/244-251, 256, 291, 292

See application file for complete search history.

(56) **References Cited**

U.S. PATENT DOCUMENTS

3,700,714 A	10/1972	Hamilton et al.	
4,029,519 A	6/1977	Schertz et al.	
4,091,798 A	5/1978	Kudret	
4,097,308 A	6/1978	Klein et al.	
4,118,249 A	10/1978	Graven et al.	
4,122,833 A	10/1978	Kudret	
4,143,234 A	3/1979	Johnson et al.	
4,166,917 A	9/1979	Dorfeld et al.	
4,170,507 A	10/1979	Keeling et al.	
D258,232 S *	2/1981	Weis	D13/102
4,291,191 A	9/1981	Dahlberg	

(Continued)

FOREIGN PATENT DOCUMENTS

AU 5544098 A1 8/1998

(Continued)

OTHER PUBLICATIONS

Boedeker Plastics, Inc.: Acrylic Polymethyl-MethAcrylate PMMA datasheet, <http://www.boedeker.com/acryl.html>; May 7, 1999; pp. 1-2.

(Continued)

Primary Examiner—Prabhakar Deshmukh

Assistant Examiner—Derrick Holland

(74) *Attorney, Agent, or Firm*—Townsend and Townsend and Crew, LLP

(57) **CLAIM**

The ornamental design for a rectangular solar cell package design, as shown and described.

DESCRIPTION

FIG. 1 is a top perspective view of a rectangular solar cell package design showing our new design;

FIG. 2 is a front side view thereof;

FIG. 3 is a top plan view thereof;

FIG. 4 is a left side view thereof;

FIG. 5 is a right side view thereof;

FIG. 6 is a rear view thereof;

FIG. 7 is a bottom plan view thereof;

FIG. 8 is a top perspective view of an alternative embodiment thereof;

FIG. 9 is a front side view thereof;

FIG. 10 is a top plan view thereof;

FIG. 11 is a left side view thereof;

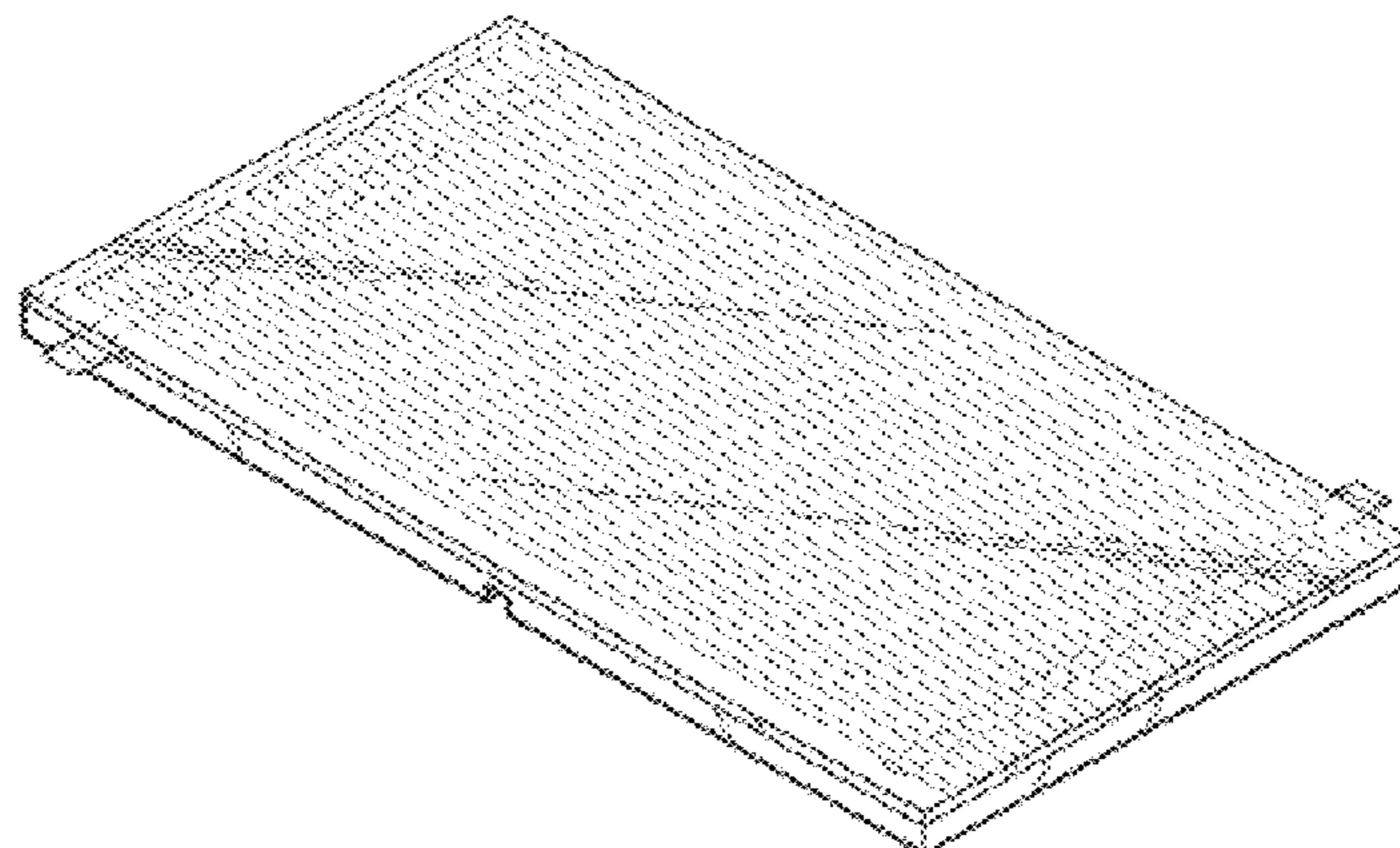
FIG. 12 is a right side view thereof;

FIG. 13 is a rear side view thereof; and,

FIG. 14 is a bottom plan view thereof.

The broken lines shown are for illustrative purposes and form no part of the claimed design.

1 Claim, 4 Drawing Sheets



US D568,238 S

U.S. PATENT DOCUMENTS			FOREIGN PATENT DOCUMENTS		
4,293,192	A	10/1981 Bronstein	6,309,901	B1	10/2001 Tahon et al.
4,295,463	A	10/1981 Citron	6,323,415	B1	11/2001 Uematsu et al.
4,333,447	A	6/1982 Lemrow et al.	6,333,457	B1	12/2001 Mulligan et al.
4,361,136	A	11/1982 Huang	6,337,283	B1	1/2002 Verlinden et al.
4,404,422	A	9/1983 Green et al.	6,387,726	B1	5/2002 Verlinden et al.
4,440,153	A	4/1984 Melchior	6,423,568	B1	7/2002 Verlinden et al.
4,449,514	A	5/1984 Selcuk	6,429,037	B1	8/2002 Wenham et al.
4,454,371	A	6/1984 Folino	6,433,913	B1	8/2002 Bauer et al.
4,457,297	A	7/1984 Sobczak et al.	6,440,769	B2	8/2002 Peumans et al.
4,463,749	A	8/1984 Sobczak et al.	6,479,744	B1	11/2002 Tsuzuki et al.
4,485,264	A *	11/1984 Izu et al. 136/244	D469,399	S *	1/2003 Shugar D13/102
4,511,618	A	4/1985 Duchene et al.	6,528,716	B2	3/2003 Collette et al.
4,571,812	A	2/1986 Gee	6,528,718	B2	3/2003 Yoda et al.
4,589,191	A	5/1986 Green et al.	6,612,705	B1	9/2003 Davidson et al.
4,683,154	A	7/1987 Benson et al.	6,619,282	B1	9/2003 Murtha
4,691,994	A	9/1987 Tveryanovich et al.	6,620,995	B2	9/2003 Vasylyev et al.
4,848,319	A	7/1989 Appeldorn	6,666,207	B1	12/2003 Arkas et al.
D303,244	S *	9/1989 Hanak D13/102	6,676,263	B2	1/2004 Winston
4,863,224	A	9/1989 Tveryanovich et al.	6,700,054	B2	3/2004 Cherney et al.
4,964,713	A	10/1990 Goetzberger	6,700,055	B2	3/2004 Barone
4,999,059	A	3/1991 Bagno	6,804,062	B2	10/2004 Atwater et al.
5,080,725	A	1/1992 Green et al.	6,843,573	B2	1/2005 Rabinowitz et al.
5,118,361	A	6/1992 Fraas et al.	6,849,797	B2	2/2005 Koyanagi et al.
5,153,780	A	10/1992 Jorgensen et al.	2002/0007845	A1	1/2002 Collette et al.
5,167,724	A	12/1992 Chiang	2002/0018308	A1	2/2002 Winston
5,174,275	A	12/1992 Holland	2002/0075579	A1	6/2002 Vasylyev et al.
5,232,518	A *	8/1993 Nath et al. 136/251	2002/0139414	A1	10/2002 Vasylyev et al.
5,240,510	A	8/1993 Goldade et al.	2003/0015233	A1	1/2003 Barone
5,245,985	A	9/1993 Holland	2003/0037814	A1	2/2003 Gilbert et al.
5,261,970	A	11/1993 Landis et al.	2003/0081333	A1	5/2003 Roland et al.
5,344,496	A	9/1994 Stern et al.	2003/0095340	A1	5/2003 Alwater et al.
5,356,488	A	10/1994 Hezel	2003/0121542	A1	7/2003 Harneit et al.
5,365,920	A	11/1994 Lechner	2003/0156337	A1	8/2003 Davidson et al.
D353,129	S *	12/1994 Ricaud et al. D13/102	2003/0201007	A1	10/2003 Fraas et al.
5,395,070	A	3/1995 Stirbl et al.	2004/0016454	A1	1/2004 Murphy et al.
5,449,626	A	9/1995 Hezel	2004/0021964	A1	2/2004 Rabinowitz et al.
5,460,659	A	10/1995 Krut	2004/0084077	A1	5/2004 Aylaian
5,466,301	A	11/1995 Hammerbacher et al.	2004/0097012	A1	5/2004 Weber et al.
5,498,297	A	3/1996 O'Neill et al.	2004/0123895	A1	7/2004 Kardauskas et al.
5,517,339	A	5/1996 Riccobono et al.	2004/0134531	A1	7/2004 Habraken et al.
5,529,054	A	6/1996 Shoen	2004/0194820	A1	10/2004 Barone
5,542,409	A	8/1996 Sampayo	2004/0243364	A1	12/2004 Wendelin et al.
5,542,988	A *	8/1996 Bogus 136/244	2004/0246605	A1	12/2004 Stiles et al.
5,564,411	A	10/1996 Gerics	2005/0070059	A1	3/2005 Blakers et al.
5,660,644	A	8/1997 Clemens	2005/0081908	A1	4/2005 Stewart
5,707,459	A	1/1998 Itoyama et al.	2005/0081909	A1	4/2005 Paull
D391,921	S *	3/1998 Zimmer et al. D13/102	2005/0087294	A1	4/2005 Rabinowitz
5,735,966	A	4/1998 Luch	2006/0054211	A1	3/2006 Meyers et al.
5,782,993	A	7/1998 Ponewash			
5,787,878	A	8/1998 Ratliff, Jr.	AU	743826	B2 2/2002
5,790,304	A	8/1998 Sanders et al.	AU	220348	A5 6/2002
5,851,309	A	12/1998 Kousa	AU	3902270	A4 5/2003
5,865,905	A	2/1999 Clemens	AU	2349175	AA 6/2003
5,877,874	A	3/1999 Rosenberg	CA	2432300	AA 6/2002
5,882,434	A	3/1999 Horne	CA	2467112	AA 6/2003
5,936,777	A	8/1999 Dempewolf	DE	298 23 351	U1 6/1999
5,959,787	A	9/1999 Fairbanks	EP	0029721	6/1981
5,964,216	A	10/1999 Hoffschmidt et al.	EP	461124	B1 5/1995
6,008,449	A	12/1999 Cole	EP	784870	4/1996
6,049,035	A	4/2000 Tsuru et al.	EP	657948	A3 6/1997
6,057,505	A	5/2000 Ortabasi	EP	1 030 376	A1 8/2000
6,091,017	A	7/2000 Stern	EP	1174342	A1 1/2002
6,091,020	A	7/2000 Fairbanks et al.	EP	1261039	A1 11/2002
6,107,564	A	8/2000 Aguilera et al.	EP	1342259	A1 9/2003
6,118,067	A	9/2000 Lashley et al.	EP	1461834	A1 9/2003
6,134,784	A	10/2000 Carrie et al.	EP	1112597	B1 3/2004
6,167,724	B1	1/2001 Pozivil	EP	1131586	B1 3/2004
D442,139	S *	5/2001 Sasaoka D13/102	EP	1 427 025	A2 6/2004
6,274,402	B1	8/2001 Verlinden et al.	EP	1 630 875	A2 3/2006
6,274,860	B1	8/2001 Rosenberg	EP	1732141	A1 12/2006
6,294,723	B2	9/2001 Uematsu et al.	JP	09018031	1/1997

US D568,238 S

Page 3

JP 10104547 A2 4/1998
WO WO 9118420 A1 11/1991
WO WO 9406046 A1 3/1994
WO WO 9506330 A1 3/1995
WO WO 9533220 A1 12/1995
WO WO 9623115 A1 8/1996
WO WO 9624954 A1 8/1996
WO WO 9803823 A1 1/1998
WO WO 9832164 A1 7/1998
WO WO 9905462 A1 2/1999
WO WO 0074147 A1 12/2000
WO WO 0079593 A1 12/2000
WO WO 0151962 A2 7/2001
WO WO 0154650 A3 8/2001
WO WO 0208058 A1 1/2002
WO WO 0245143 A1 6/2002
WO WO 02075225 A2 9/2002
WO WO 01055650 C2 10/2002

WO WO 01090661 A3 11/2002
WO WO 02095838 A1 11/2002
WO WO 03019083 A1 3/2003
WO WO 03022578 A1 3/2003
WO WO 03047004 A1 6/2003
WO WO 03049201 A1 6/2003
WO WO 03107078 A2 12/2003
WO WO 04100252 A1 11/2004
WO WO 2006/123194 A1 11/2006
WO WO 2006/128417 A1 12/2006
WO WO 2007/036199 A2 4/2007

OTHER PUBLICATIONS

Solar Electricity Beginner Notes, http://www.sunwindsolar.com/a_lessons/solar_beginner_notes.html; Jan. 8, 2004; pp. 1-2.

* cited by examiner

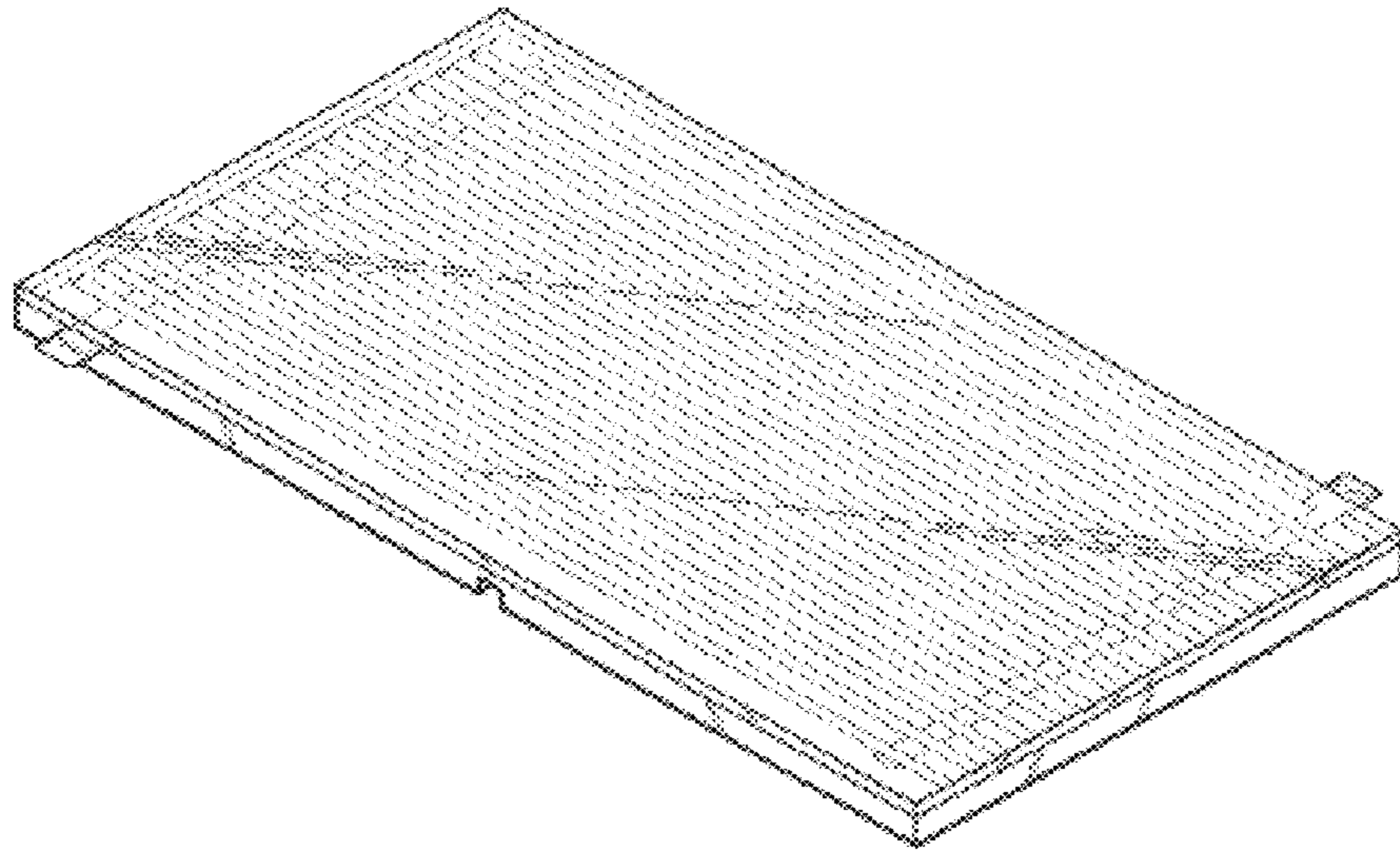


FIG. 1

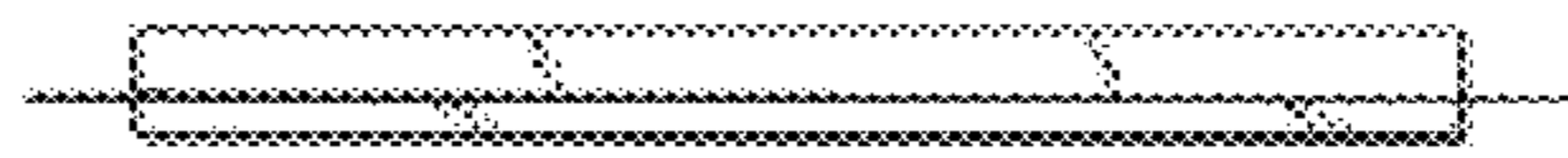


FIG. 2



FIG. 4

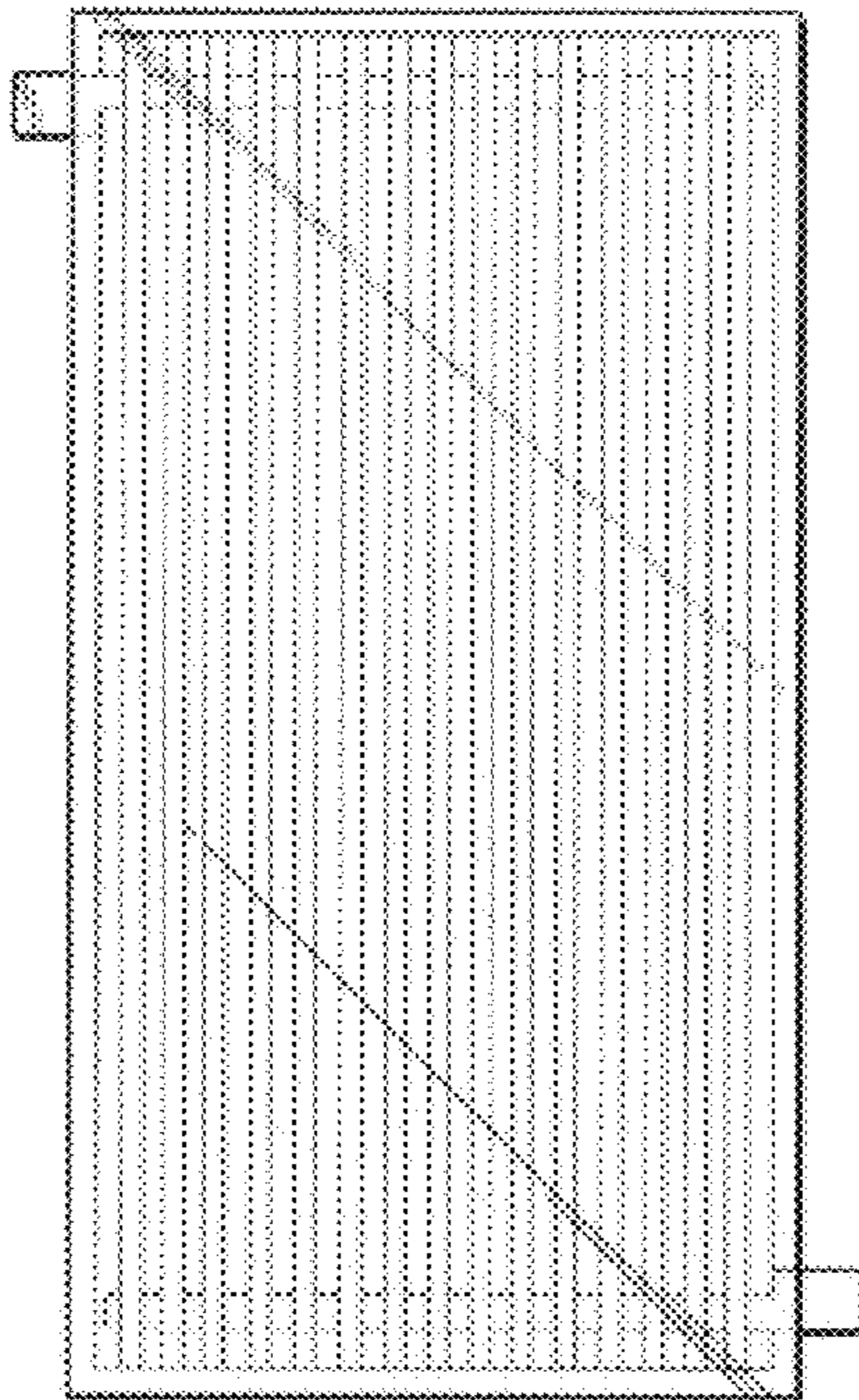


FIG. 3



FIG. 5



FIG. 6

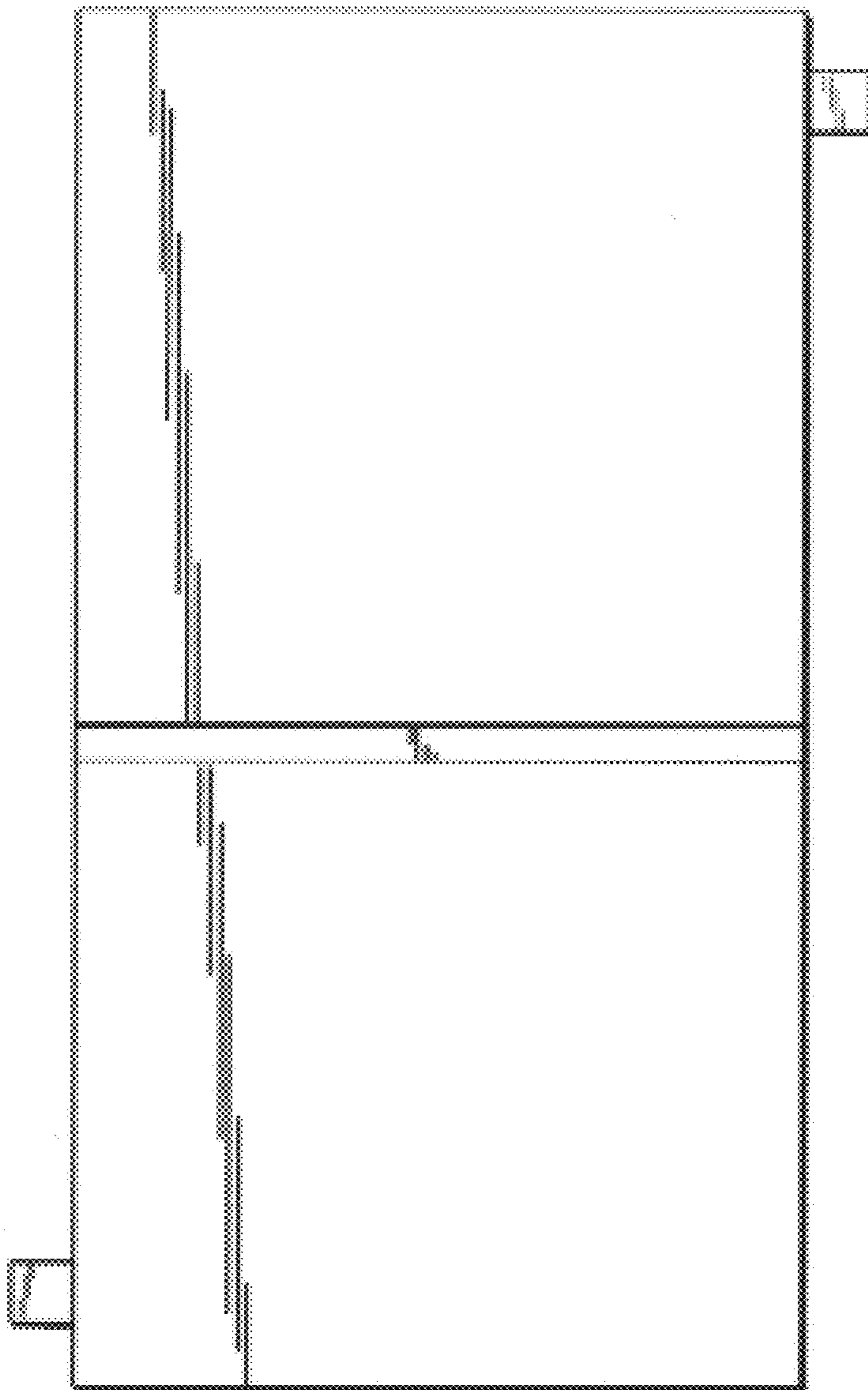


FIG. 7

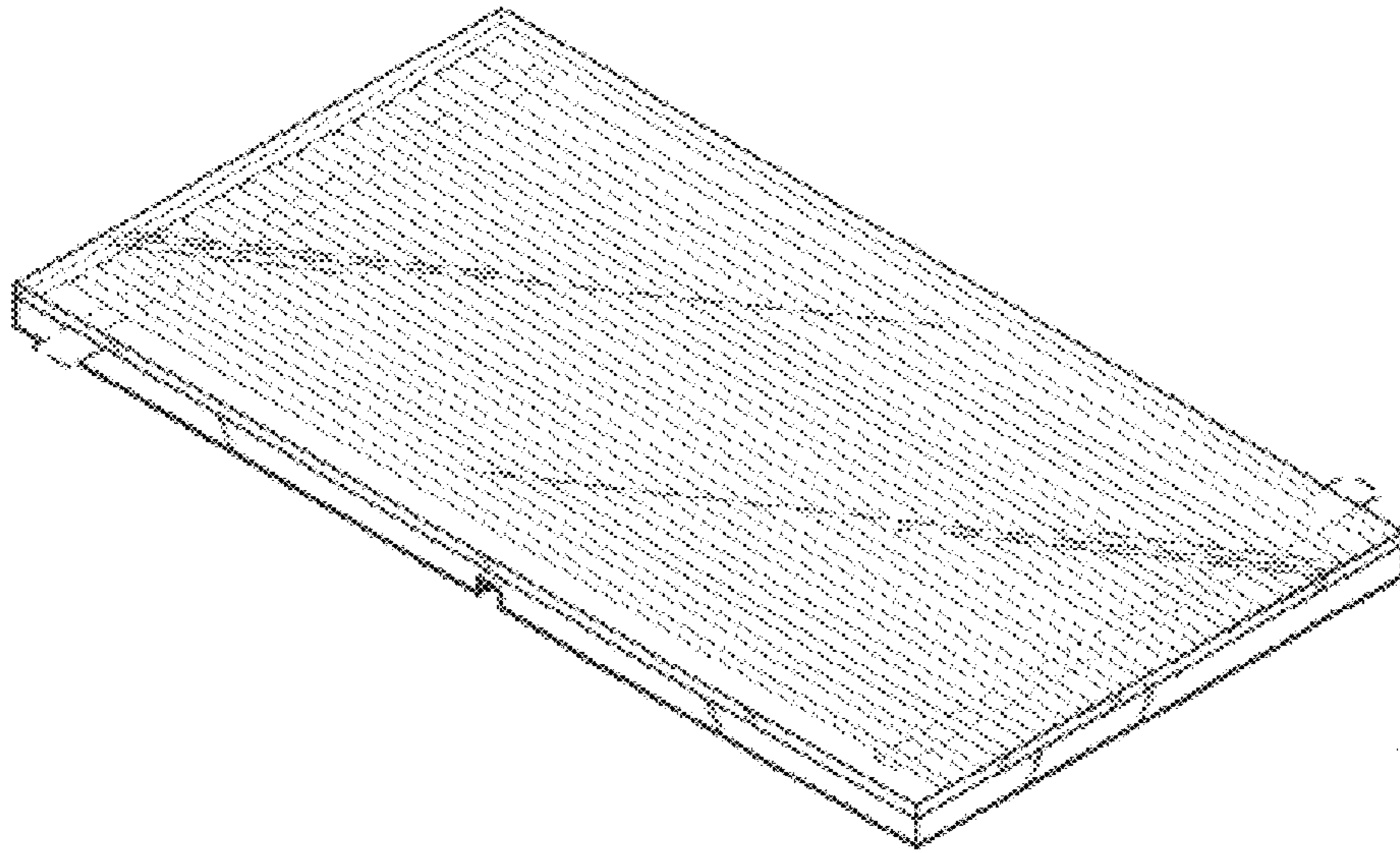


FIG. 8

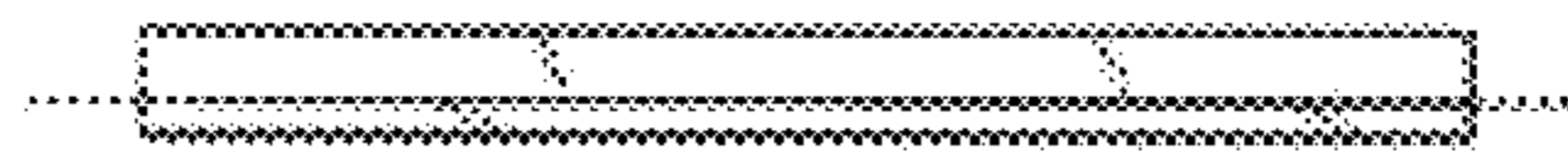


FIG. 9



FIG. 11

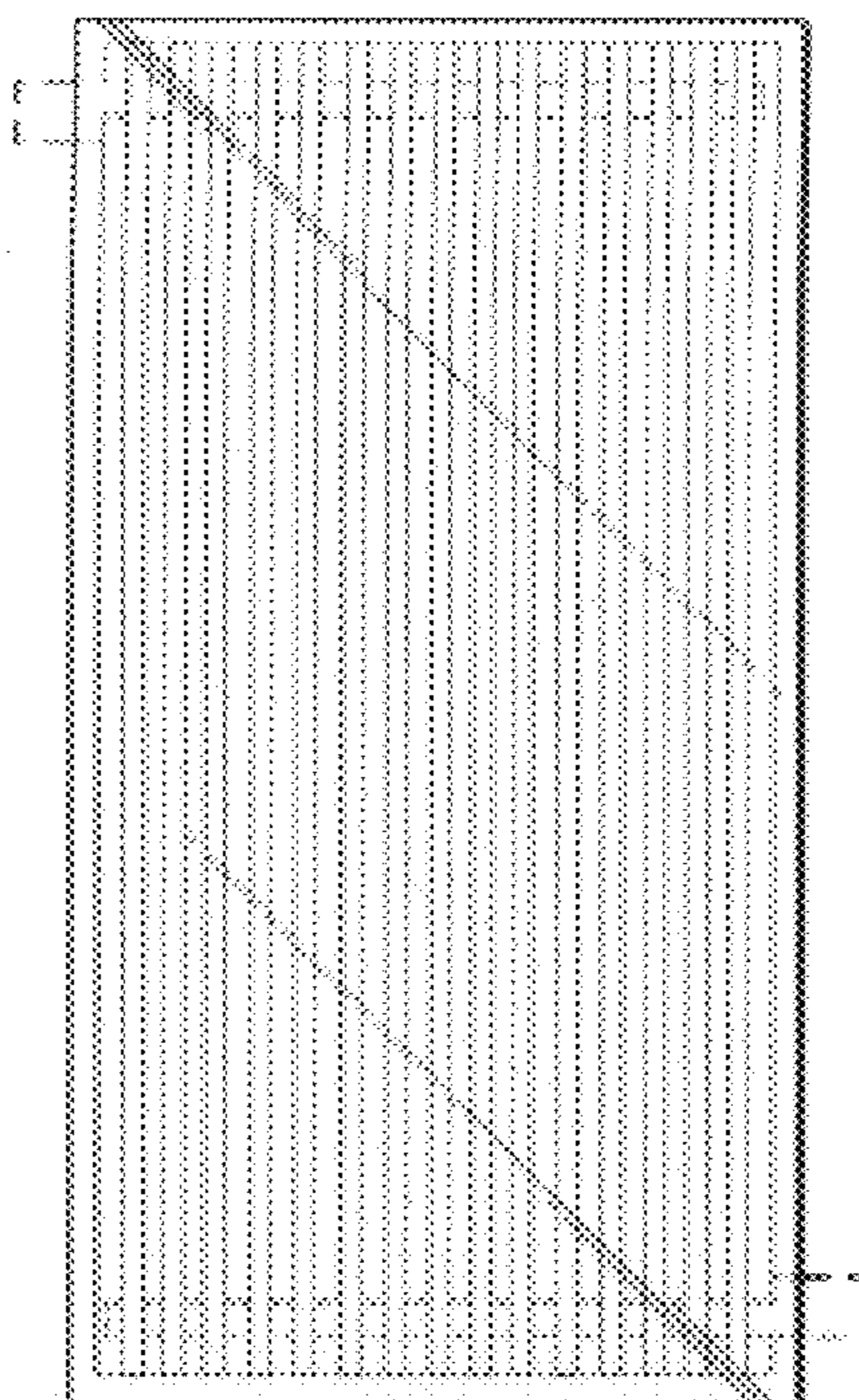


FIG. 10



FIG. 12

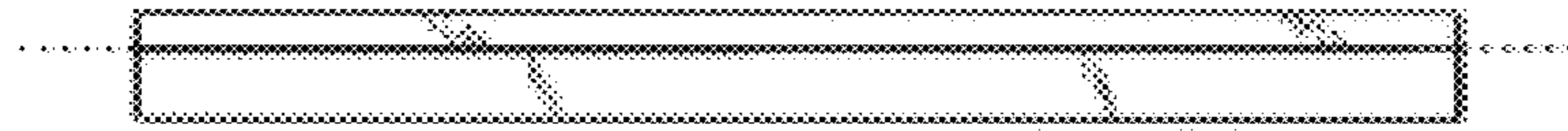


FIG. 13

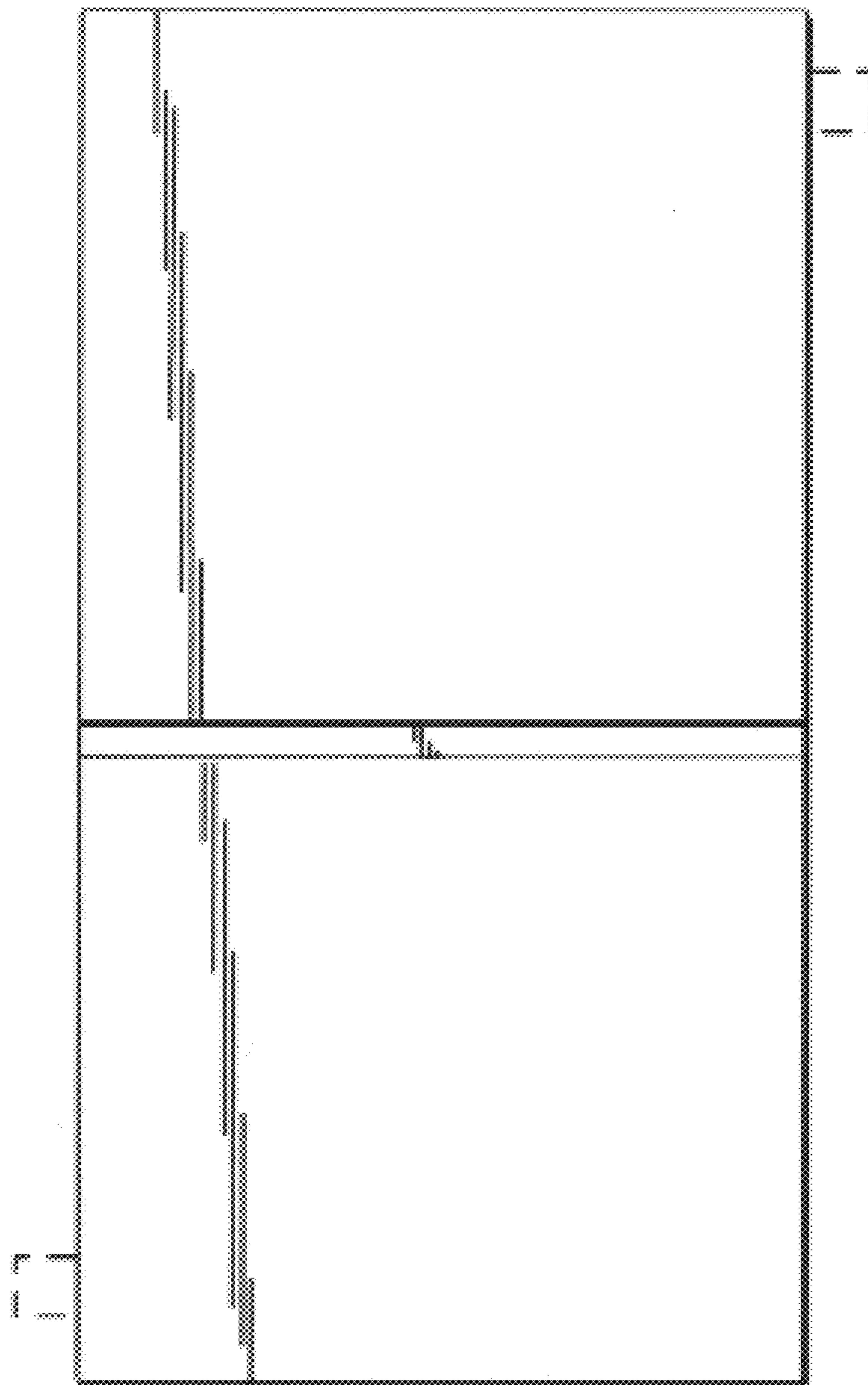


FIG. 14