



US00D568231S

(12) **United States Design Patent**
Frischer et al.

(10) **Patent No.:** **US D568,231 S**

(45) **Date of Patent:** **** May 6, 2008**

(54) **BAG HOLDER FOR VEHICLE**

(75) Inventors: **Ivar Frischer**, Gothenburg (SE); **Urban Hörnstrom**, Trollhattan (SE)

(73) Assignee: **GM Global Technology Operations, Inc.**, Detroit, MI (US)

(**) Term: **14 Years**

(21) Appl. No.: **29/242,958**

(22) Filed: **Nov. 17, 2005**

(51) **LOC (8) Cl.** **12-16**

(52) **U.S. Cl.** **D12/414**

(58) **Field of Classification Search** D12/414;
D32/35, 58; D6/317-319, 513-514; 24/369;
206/213, 8, 9, 279, 290, 713, 335; 223/85-98
See application file for complete search history.

(56) **References Cited**

U.S. PATENT DOCUMENTS

1,815,673	A *	7/1931	Kelley	211/119
2,447,908	A *	8/1948	Hoots	224/313
4,444,344	A *	4/1984	Marcus et al.	224/313
D275,629	S *	9/1984	Einhorn	D8/372
5,121,844	A *	6/1992	Ball	211/124
D392,098	S *	3/1998	Finkelman	D3/315
5,836,634	A *	11/1998	Finkelman	294/159
5,894,968	A *	4/1999	Christensen	223/1
D411,701	S *	6/1999	Klein et al.	D6/513
D460,039	S *	7/2002	Smith	D12/414

D472,084	S *	3/2003	Kollner	D6/513
D487,357	S *	3/2004	Holt	D6/326
D489,618	S *	5/2004	Startek	D9/455
6,789,687	B2 *	9/2004	Cramer	211/106.01
6,827,533	B2 *	12/2004	Cano-Rodriguez et al.	410/128
D519,440	S *	4/2006	Rakow	D12/414
D538,219	S *	3/2007	Rakow	D12/414

* cited by examiner

Primary Examiner—Robert M. Spear

Assistant Examiner—Katrina A Kile

(74) *Attorney, Agent, or Firm*—Birch, Stewart, Kolasch & Birch, LLP

(57) **CLAIM**

The ornamental design for a bag holder for vehicle, as shown and described.

DESCRIPTION

FIG. 1 is a perspective view of a bag holder for vehicle showing our new design;

FIG. 2 is a perspective view thereof;

FIG. 3 is a bottom plan view thereof;

FIG. 4 is a top plan view thereof;

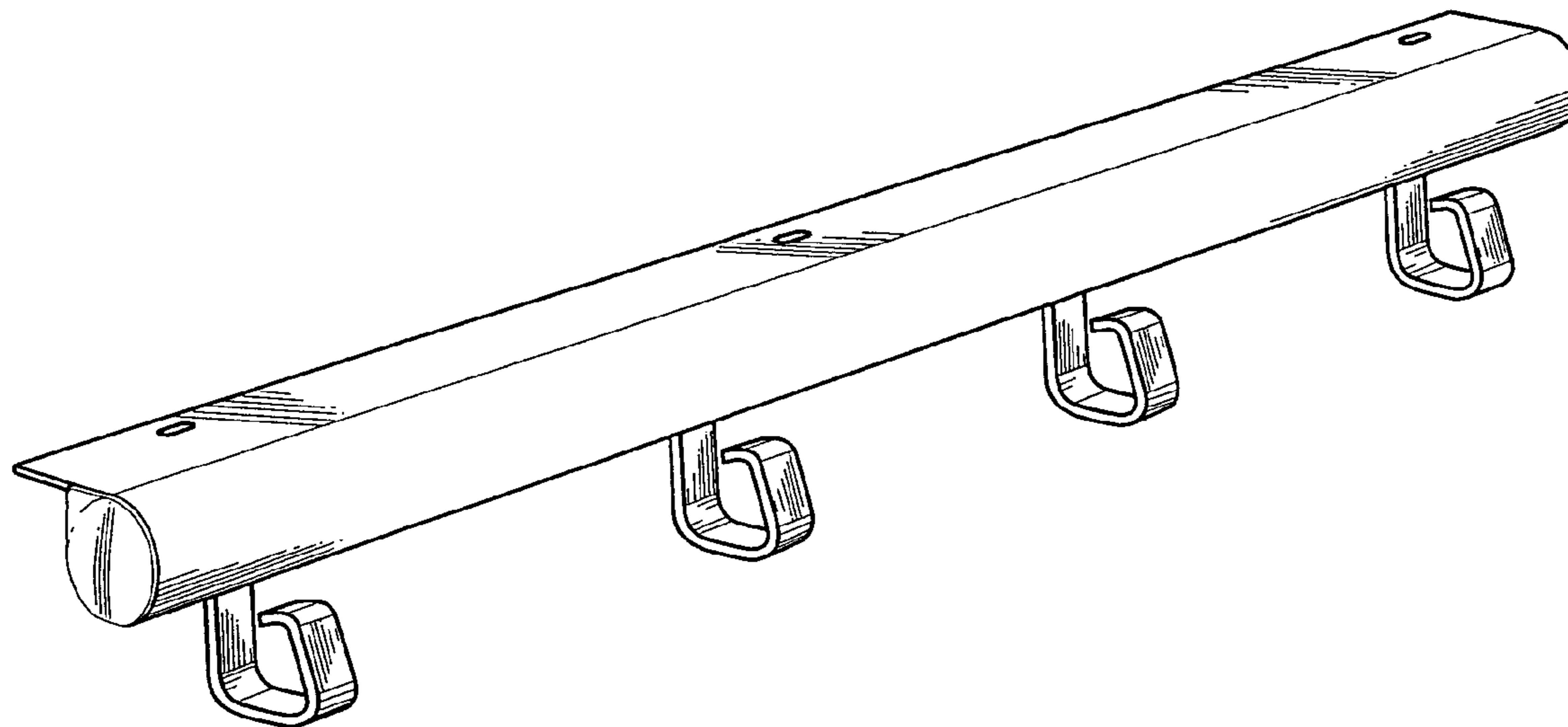
FIG. 5 is a rear elevational view thereof;

FIG. 6 is a front plan view thereof;

FIG. 7 is a right side elevational view thereof; and,

FIG. 8 is a left side elevational view thereof.

1 Claim, 2 Drawing Sheets



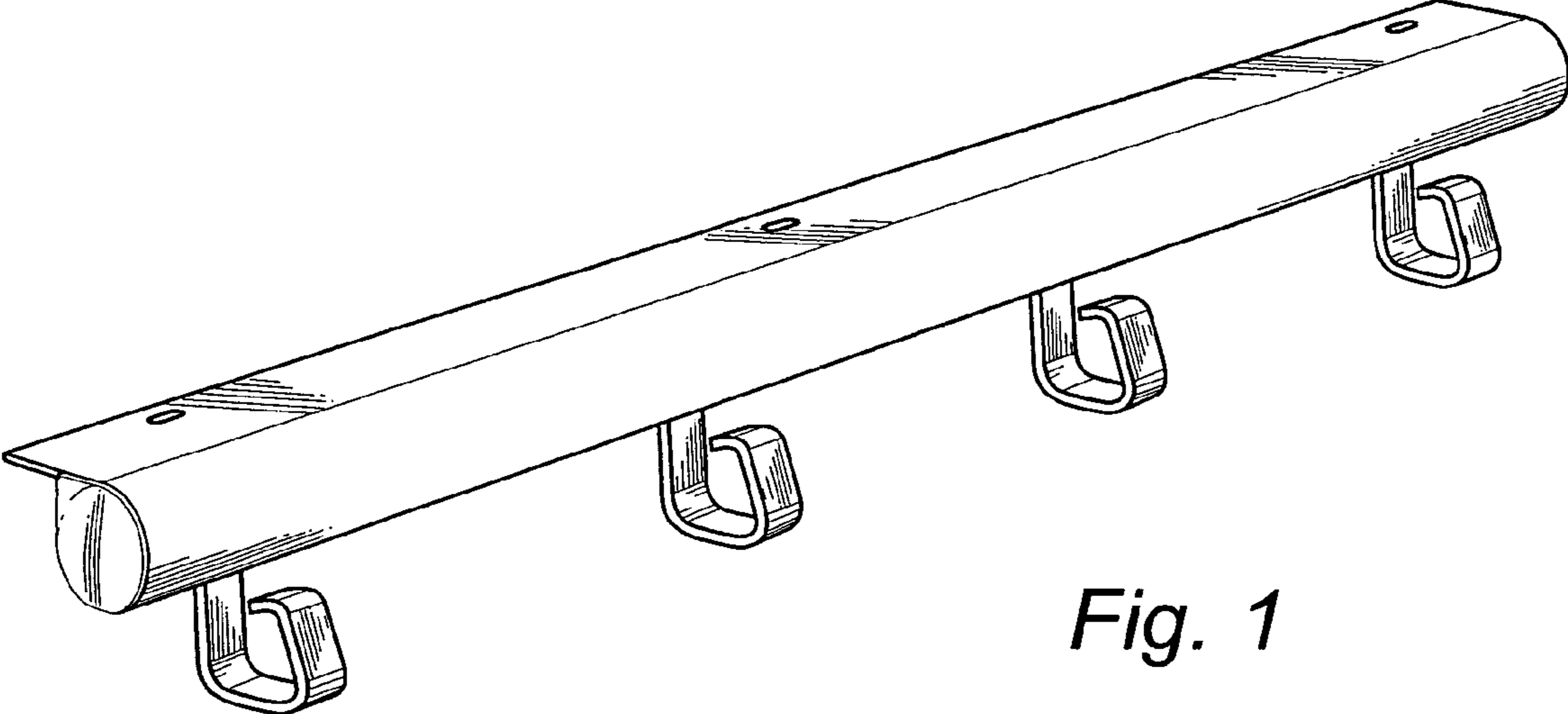


Fig. 1

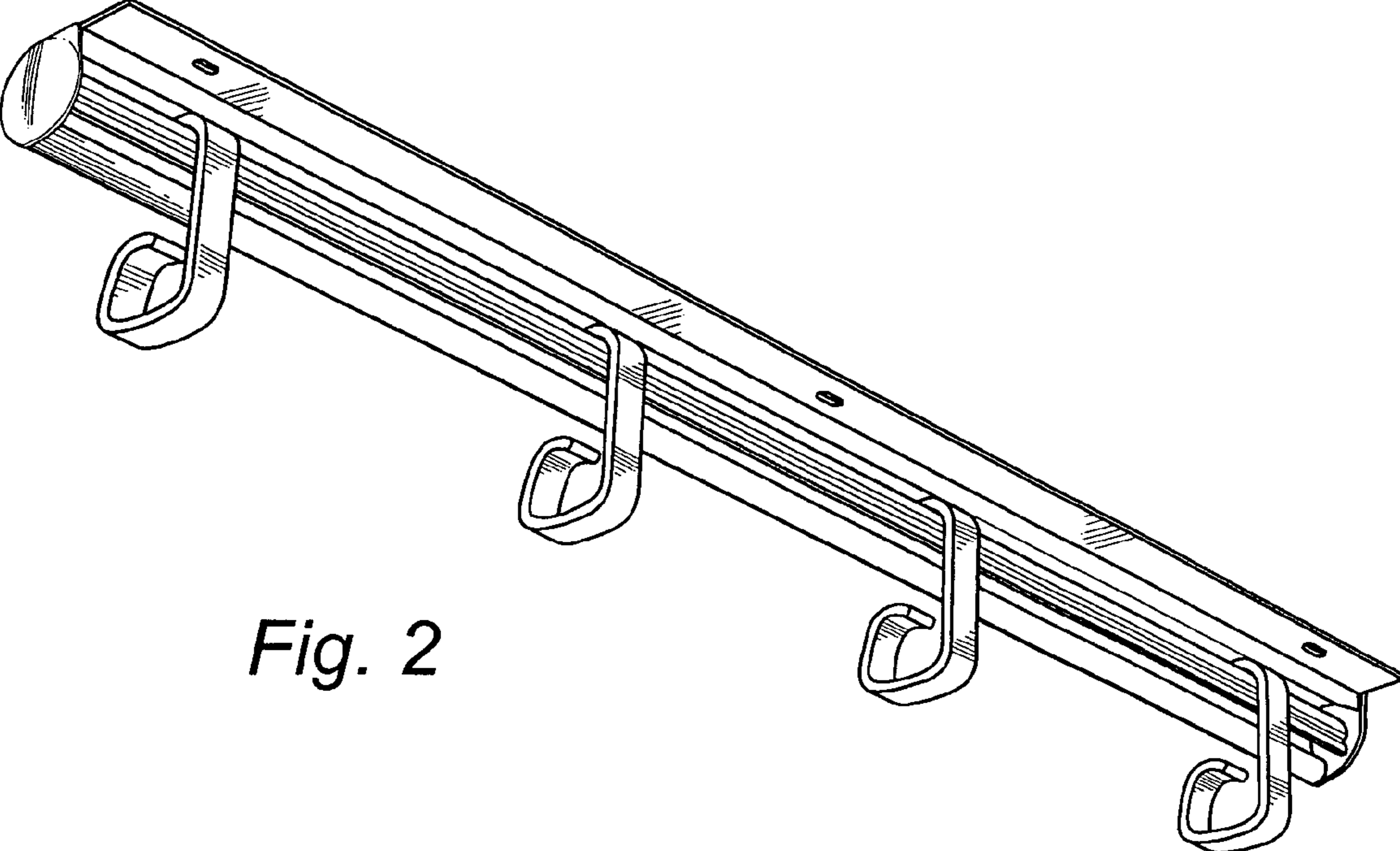


Fig. 2

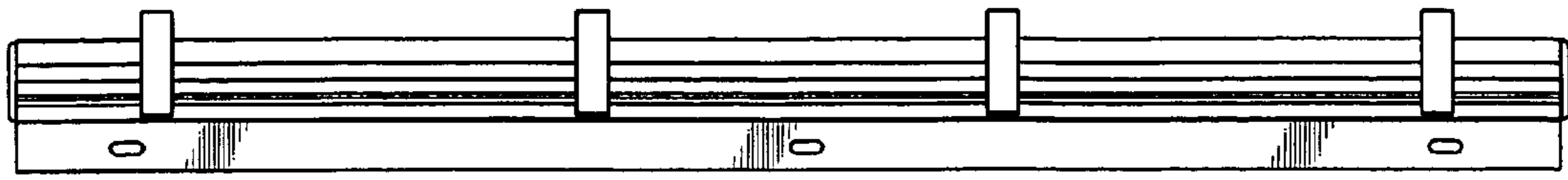


Fig. 3

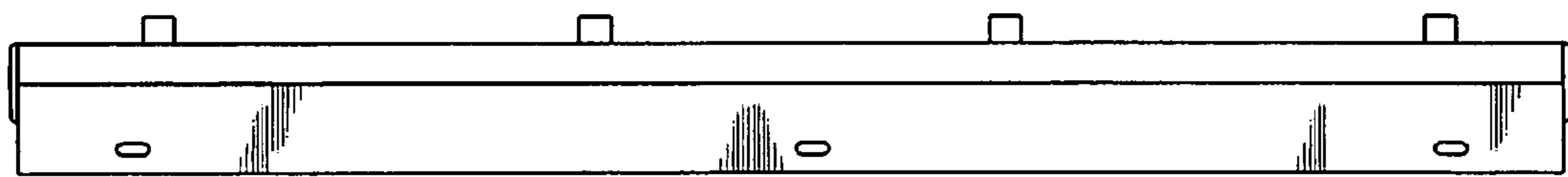


Fig. 4

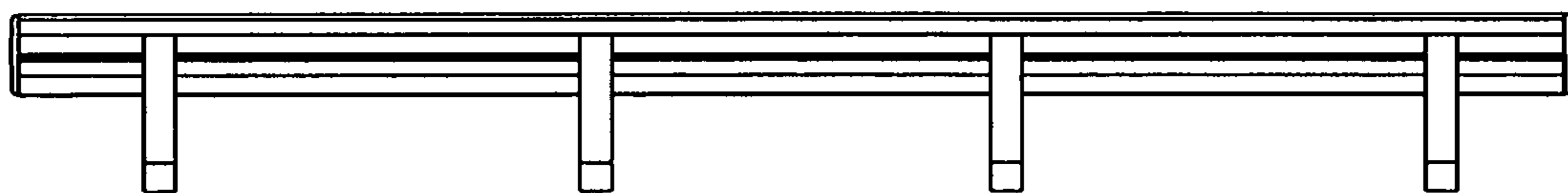


Fig. 5



Fig. 6

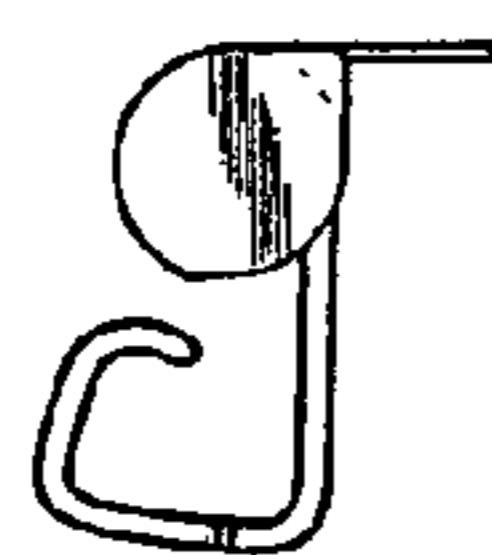


Fig. 7

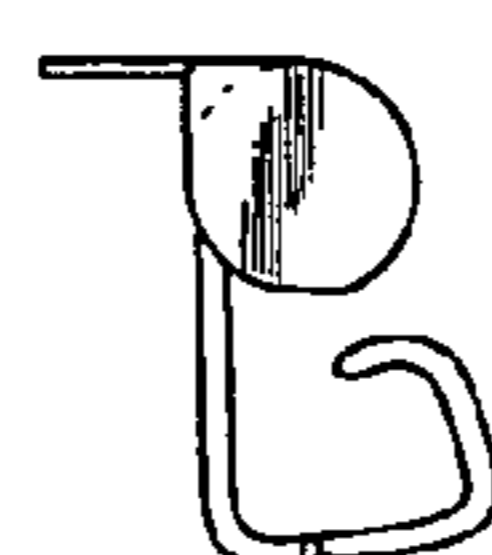


Fig. 8

UNITED STATES PATENT AND TRADEMARK OFFICE
CERTIFICATE OF CORRECTION

PATENT NO. : Des. 568,231 S
APPLICATION NO. : 29/242958
DATED : May 6, 2008
INVENTOR(S) : Ivar Frischer et al.

Page 1 of 1

It is certified that error appears in the above-identified patent and that said Letters Patent is hereby corrected as shown below:

Title Page;

Please add item (30) as follows:

-- (30) Foreign Application Priority Data

May 18, 2005 (EU) 000343165 --.

Signed and Sealed this

Twenty-first Day of April, 2009



JOHN DOLL
Acting Director of the United States Patent and Trademark Office