



US00D568228S

(12) **United States Design Patent**
Geisler

(10) **Patent No.:** **US D568,228 S**

(45) **Date of Patent:** **** May 6, 2008**

(54) **CART COVER**

D550,145 S * 9/2007 Fisker et al. D12/401

(76) Inventor: **Anna C. Geisler**, 385 Lakeview Rd.,
Wayzata, MN (US) 55391

* cited by examiner

(**) Term: **14 Years**

Primary Examiner—Robert M. Spear

Assistant Examiner—Katrina A Kile

(21) Appl. No.: **29/234,982**

(74) *Attorney, Agent, or Firm*—Brooks, Cameron &
Huebsch, PLLC

(22) Filed: **Jul. 26, 2005**

(57) **CLAIM**

(51) **LOC (8) Cl.** **12-16**

The ornamental design for a cart cover, as shown and
described.

(52) **U.S. Cl.** **D12/401**

(58) **Field of Classification Search** D12/401,

D12/400, 16, 133; D25/56; 296/210, 216,

296/213, 102; 280/DIG. 5, DIG. 6, 69.21

See application file for complete search history.

DESCRIPTION

(56) **References Cited**

FIG. 1 is a perspective of a cart cover embodiment of the
present disclosure;

FIG. 2 is a left side of the embodiment of FIG. 1; the right
side view being a mirror image of FIG. 2;

FIG. 3 is a rear view of the embodiment of FIG. 1;

FIG. 4 is a front view of the embodiment of FIG. 1;

FIG. 5 is a top plan view thereof of the embodiment of FIG.
1;

FIG. 6 is a perspective of a cart cover embodiment of the
present disclosure having a number of pockets formed
therein;

FIG. 7 is a left side of the embodiment of FIG. 6; the right
side view being a mirror image of FIG. 7;

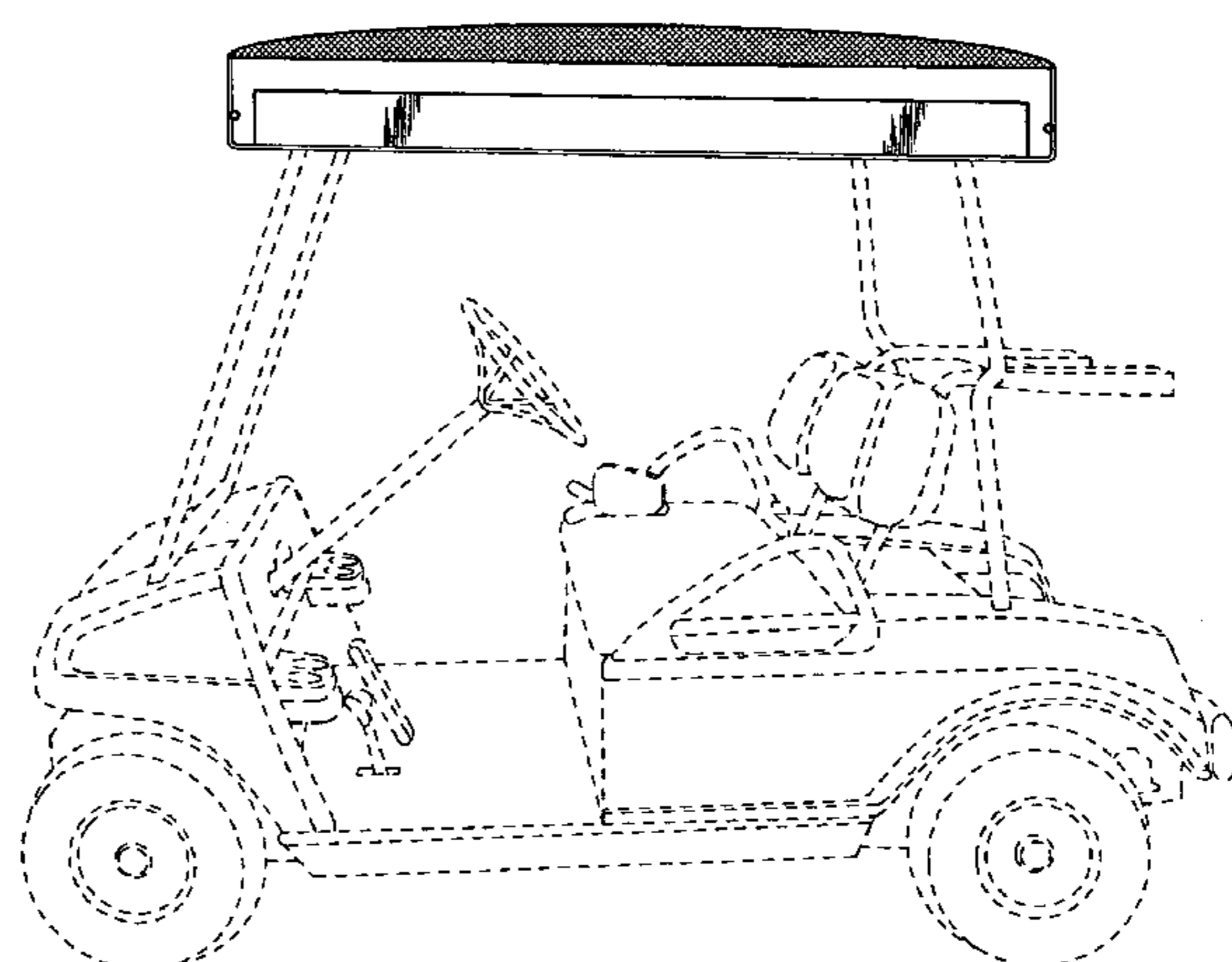
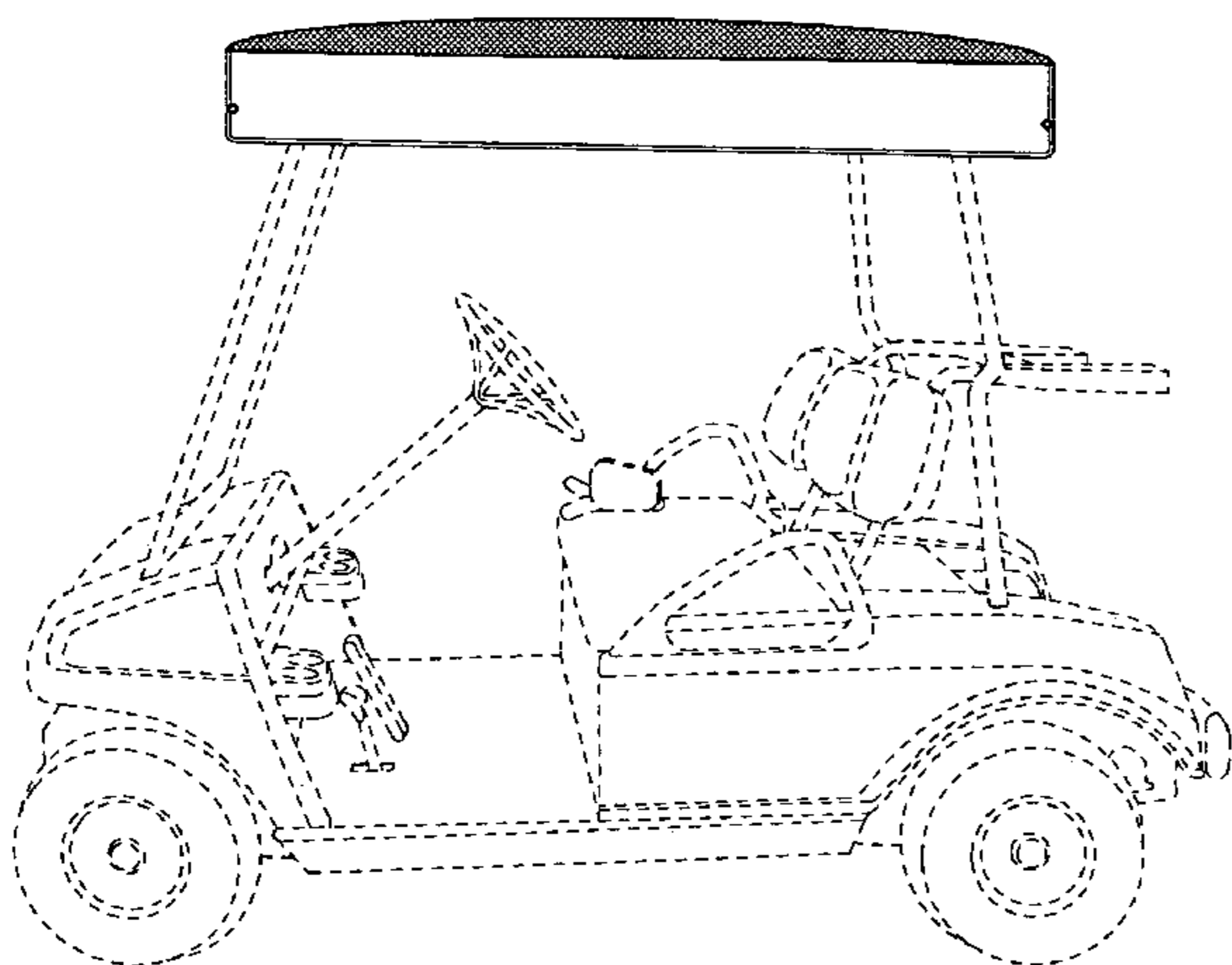
FIG. 8 is a rear view of the embodiment of FIG. 6; and,

FIG. 9 is a front view of the embodiment of FIG. 6.

U.S. PATENT DOCUMENTS

4,332,415	A *	6/1982	Williams	296/213
5,094,500	A *	3/1992	Maypole et al.	296/102
D394,637	S *	5/1998	Camiano	D12/401
D428,382	S *	7/2000	Hall	D12/401
D453,727	S *	2/2002	Shugar et al.	D12/401
6,663,158	B1 *	12/2003	Showalter	296/96.21
6,663,162	B1 *	12/2003	Tyler	296/100.14
6,702,370	B2 *	3/2004	Shugar et al.	296/211
6,709,043	B2 *	3/2004	Beusse et al.	296/100.16
D491,876	S *	6/2004	Geisler et al.	D12/401
D498,704	S *	11/2004	Bonner et al.	D12/16
6,883,846	B2 *	4/2005	Cheek et al.	296/1.02
D514,981	S *	2/2006	Andrews et al.	D12/16
D520,937	S *	5/2006	Eisenhauer	D12/401
7,121,623	B2 *	10/2006	Fujihara et al.	297/243
7,175,223	B1 *	2/2007	Tyler	296/100.14

1 Claim, 5 Drawing Sheets



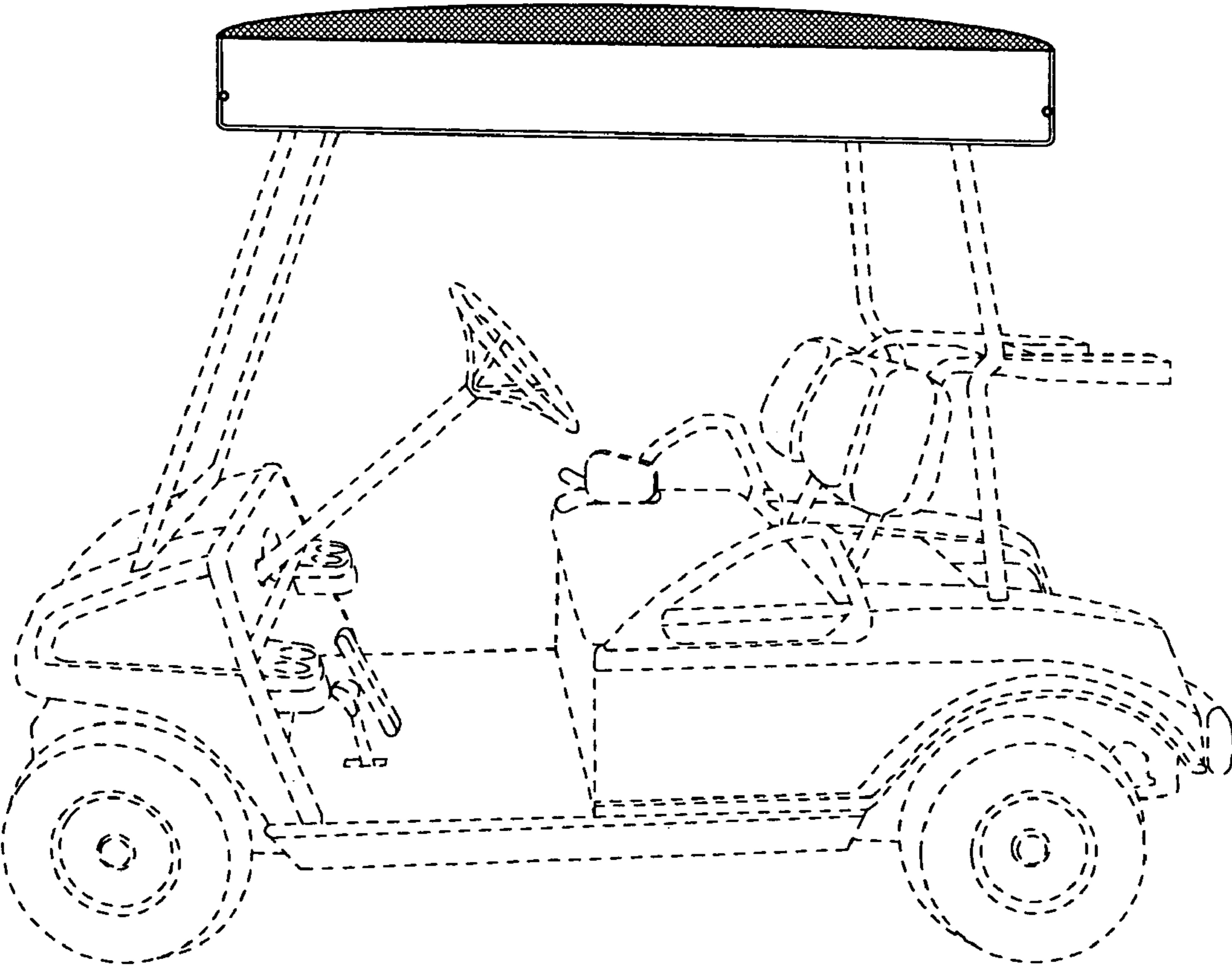


Fig. 1

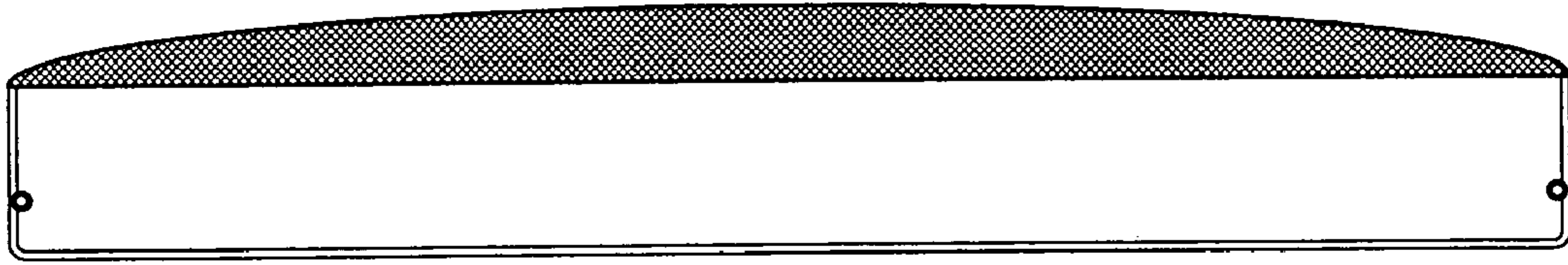


Fig. 2

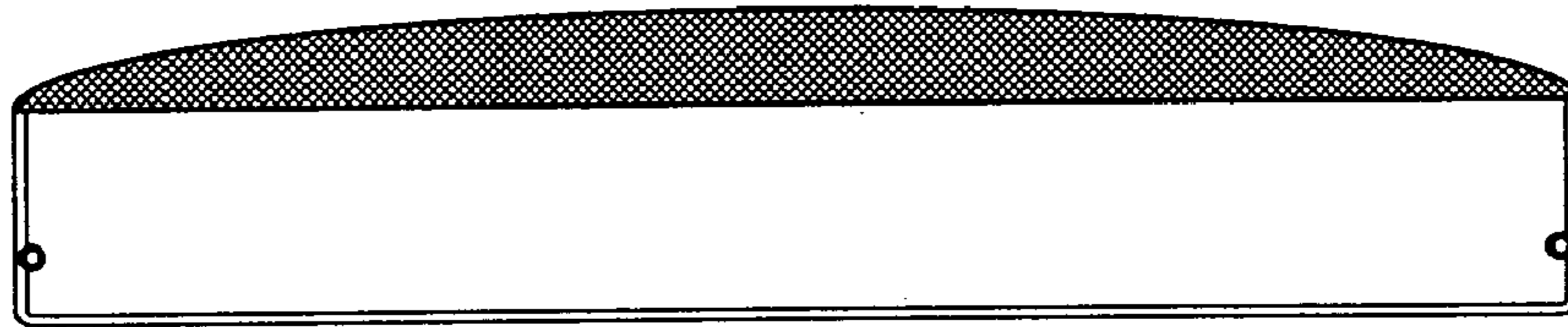


Fig. 3

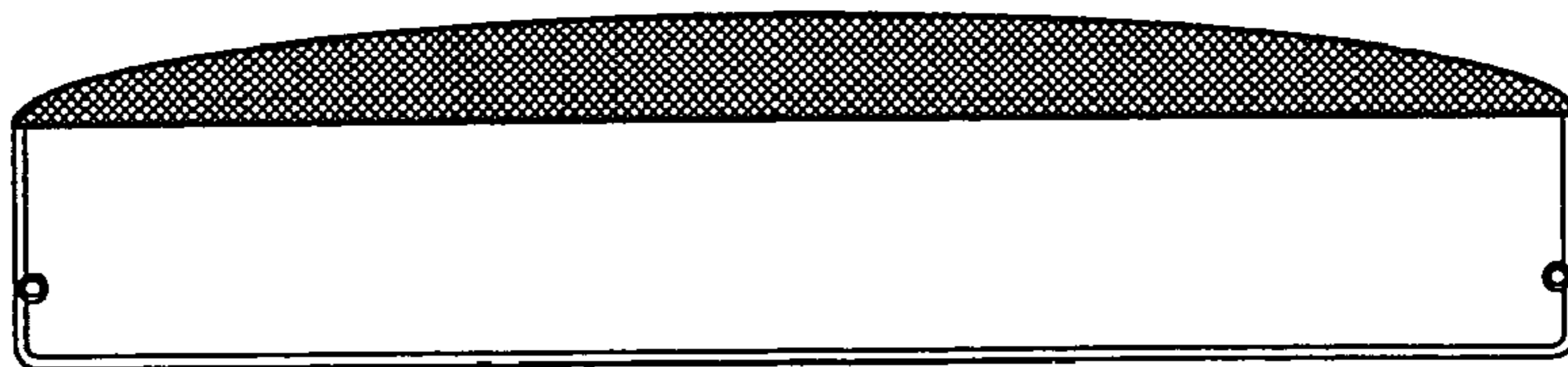


Fig. 4

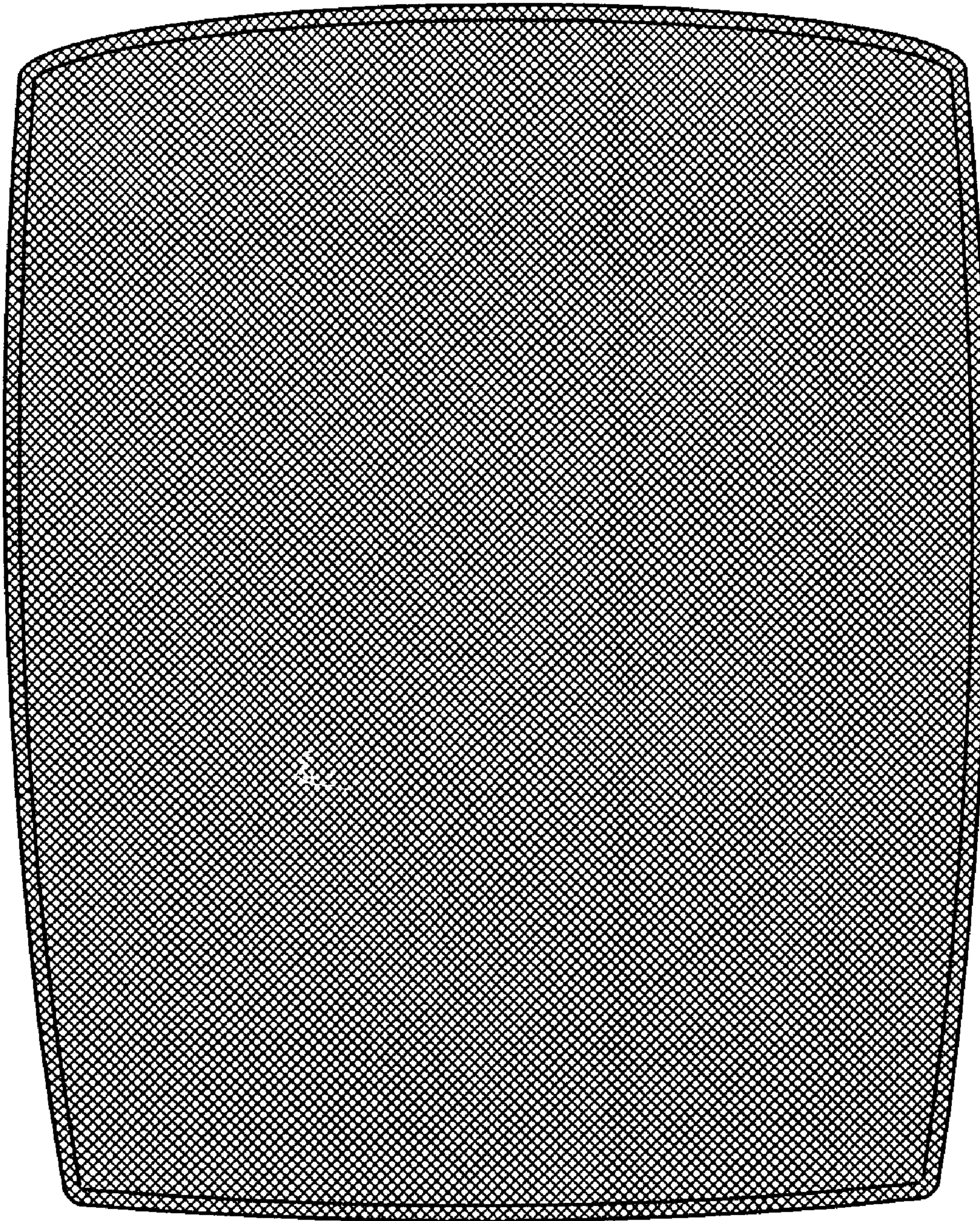


Fig. 5

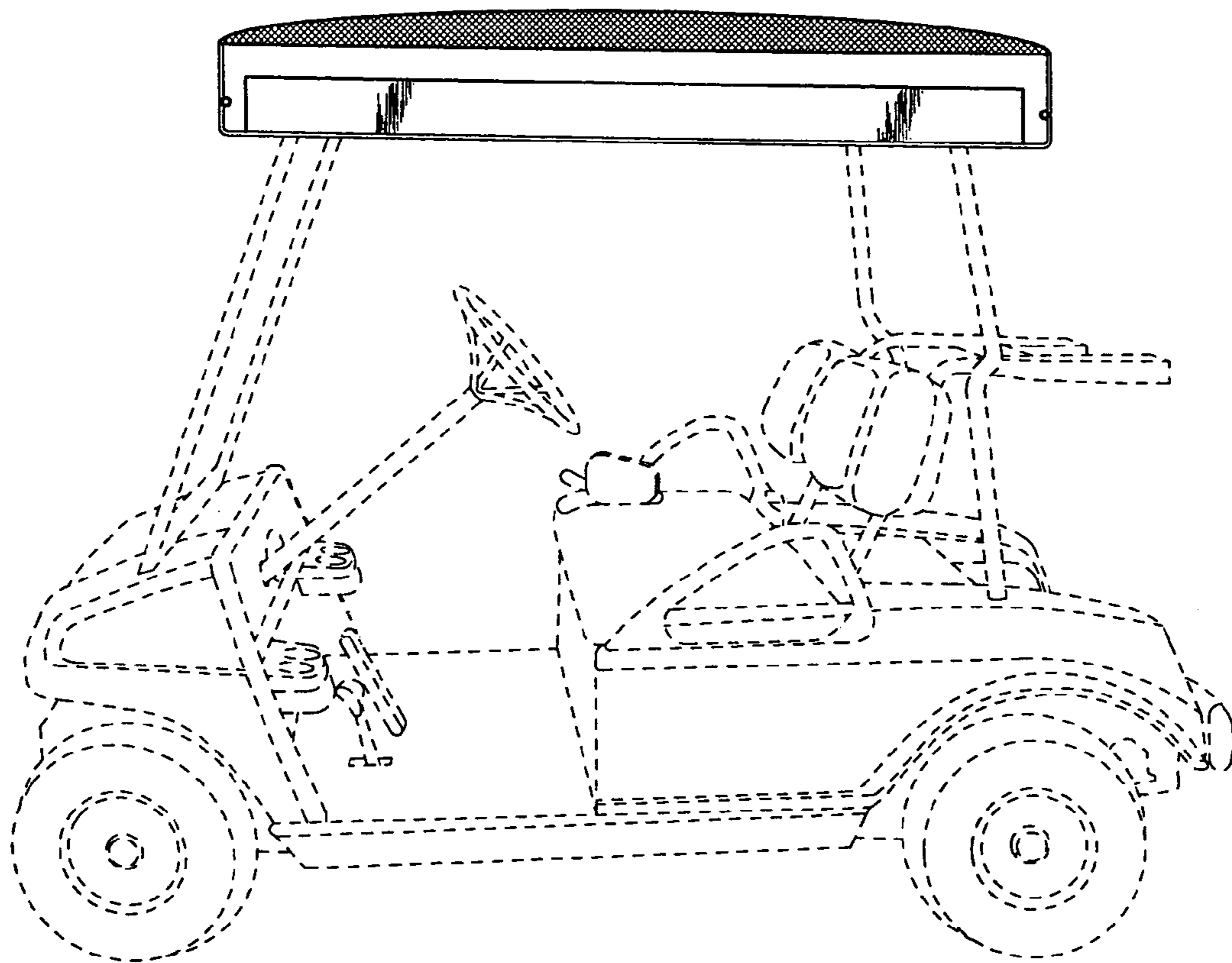


Fig. 6

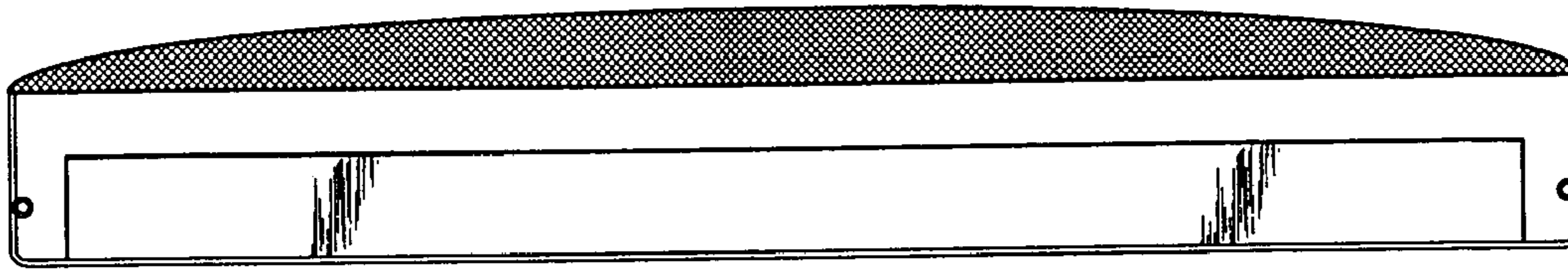


Fig. 7

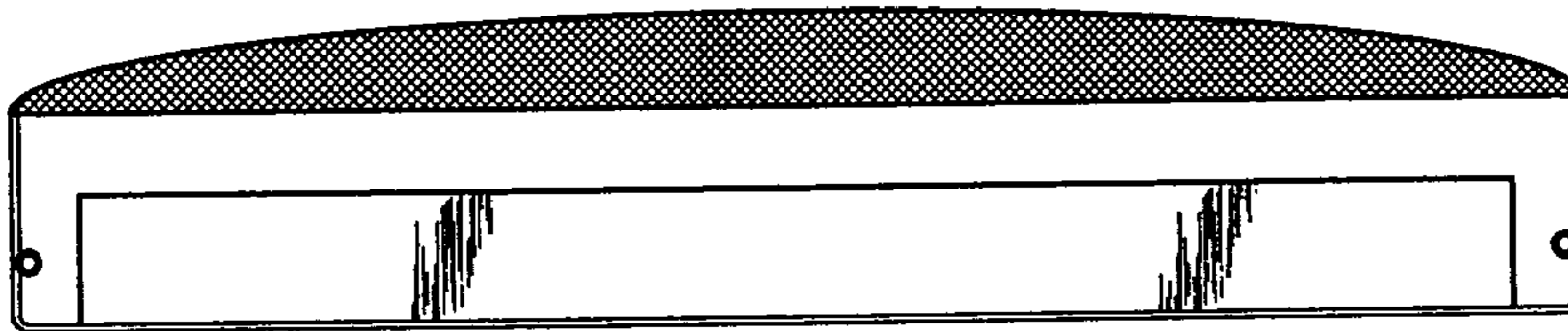


Fig. 8

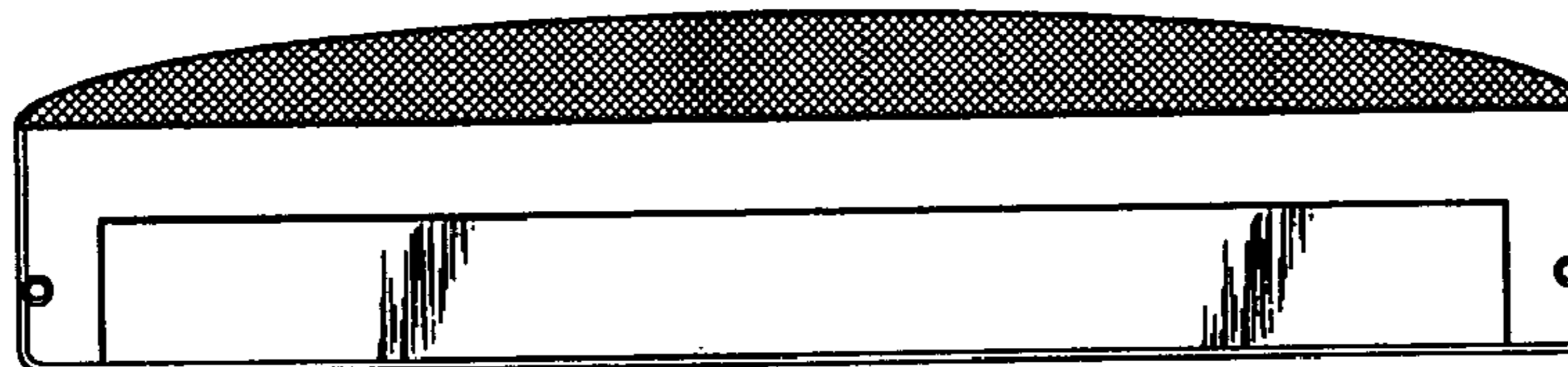


Fig. 9