



US00D568225S

(12) **United States Design Patent**
Aydin

(10) **Patent No.:** **US D568,225 S**

(45) **Date of Patent:** **** May 6, 2008**

(54) **VEHICLE WHEEL**

(57) **CLAIM**

(76) Inventor: **Ararat Eric Aydin**, 12701 Van Nuys Blvd., # E, Pacoima, CA (US) 91331

The ornamental design for a vehicle wheel, as shown and described.

(**) Term: **14 Years**

DESCRIPTION

(21) Appl. No.: **29/291,168**

(22) Filed: **Aug. 17, 2007**

(51) **LOC (8) Cl.** **12-16**

(52) **U.S. Cl.** **D12/209**

(58) **Field of Classification Search** D12/204-213;
301/37.101, 64.101, 65, 64.201

See application file for complete search history.

(56) **References Cited**

U.S. PATENT DOCUMENTS

D438,161 S	*	2/2001	Ong	D12/209
D497,867 S	*	11/2004	Walbey, Jr.	D12/209
D542,727 S	*	5/2007	Manfredini	D12/211
D550,142 S	*	9/2007	Young	D12/211
D553,070 S	*	10/2007	Tirado	D12/211
D555,565 S	*	11/2007	Noonan et al.	D12/209

* cited by examiner

Primary Examiner—Stacia Cadmus

FIG. 1 is a perspective view of the vehicle wheel showing my design;

FIG. 2 illustrates a front elevational view of the vehicle wheel of FIG. 1;

FIG. 3 illustrates a front elevational view of the front face of the vehicle wheel of FIG. 1 without inserts;

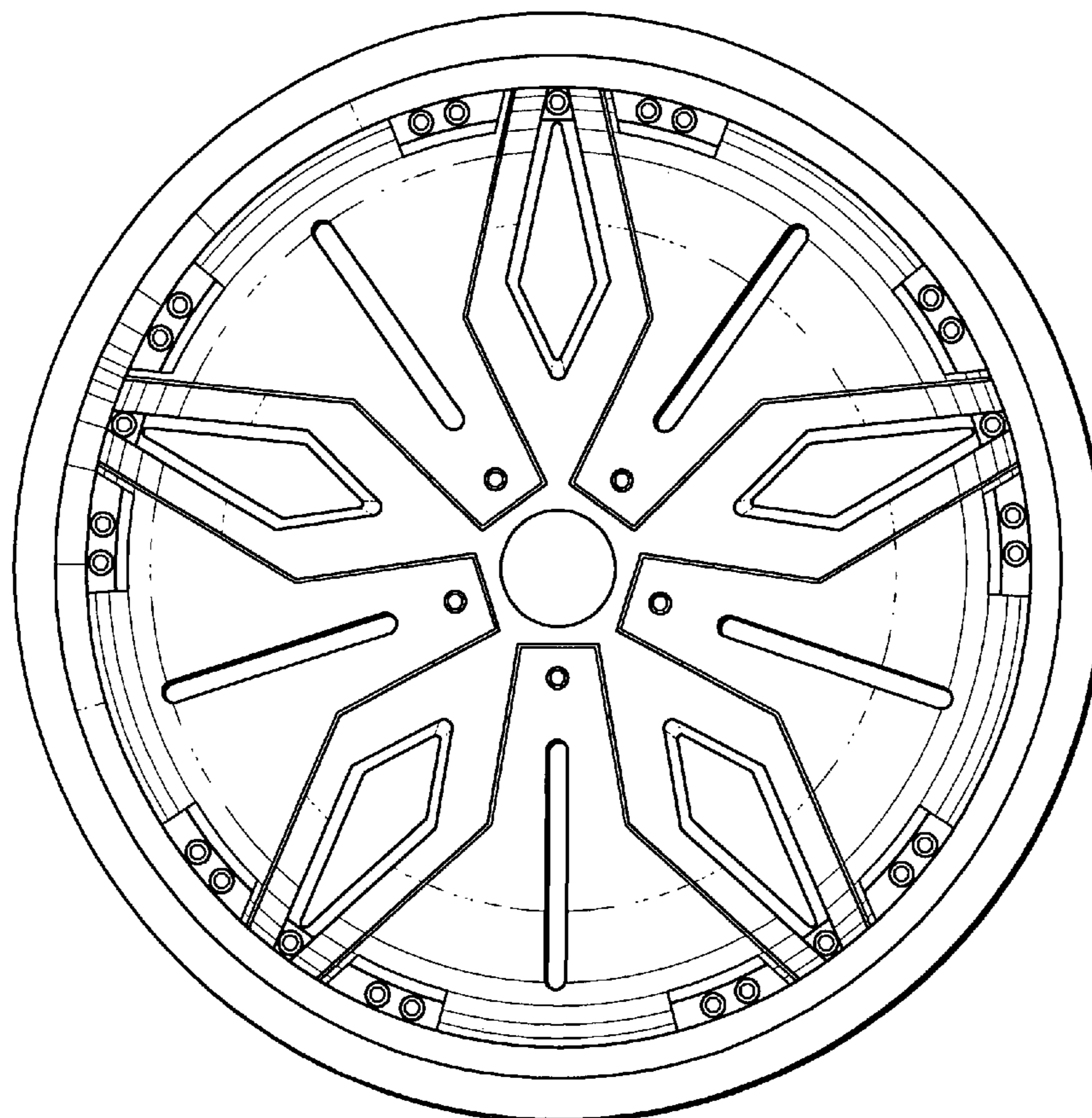
FIG. 4 illustrates a first insert for the vehicle wheel of FIG. 1; and,

FIG. 5 illustrates a second insert for the vehicle wheel of FIG. 1.

The vehicle wheel of the present invention is characterized by a five point wheel face having a first insert, a second insert, and a cap.

The broken line showing of the back portion of the wheel in FIG. 1 is included for the purpose of illustrating environment and forms no part of the claimed design.

1 Claim, 5 Drawing Sheets



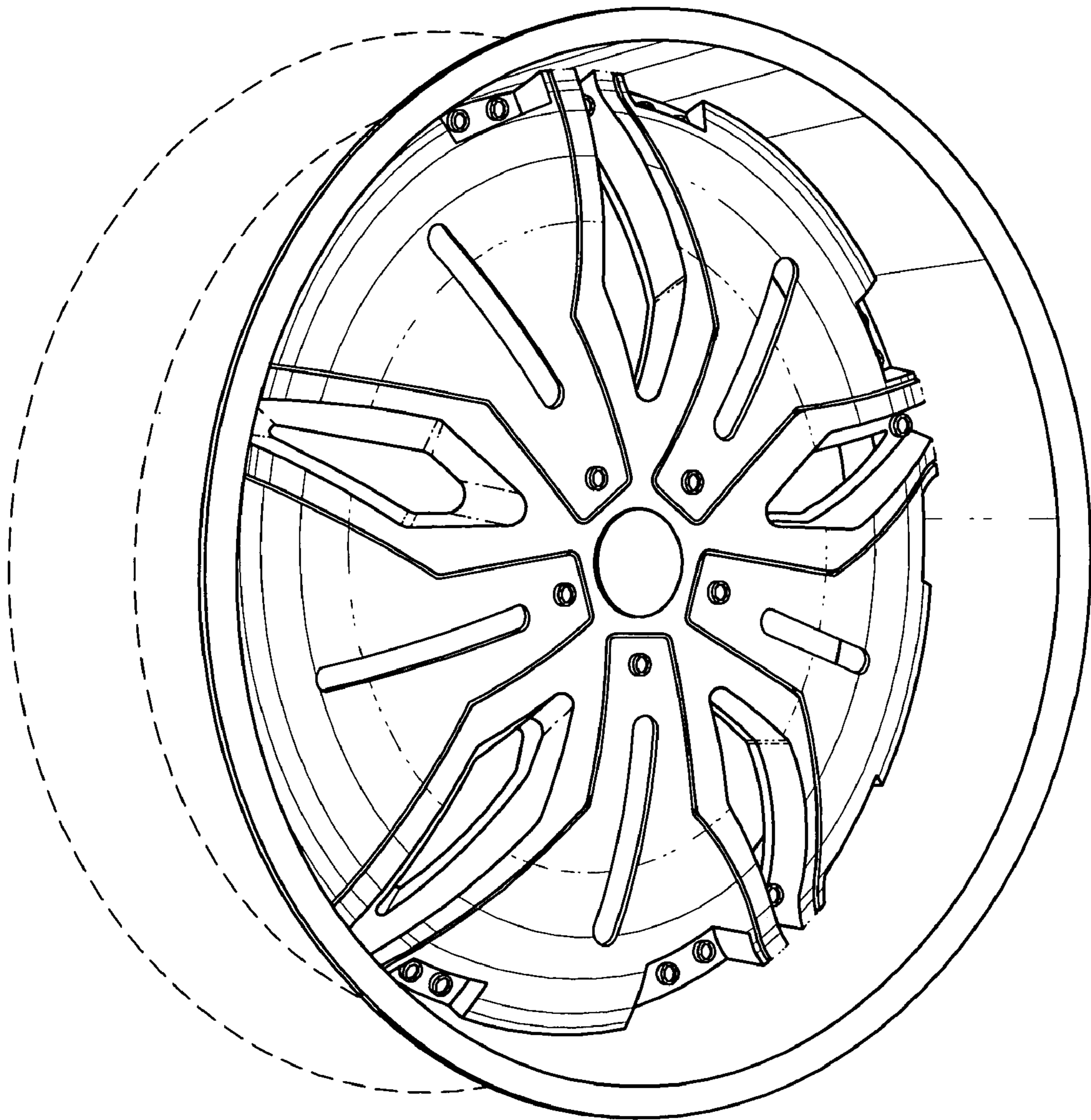


FIG. 1

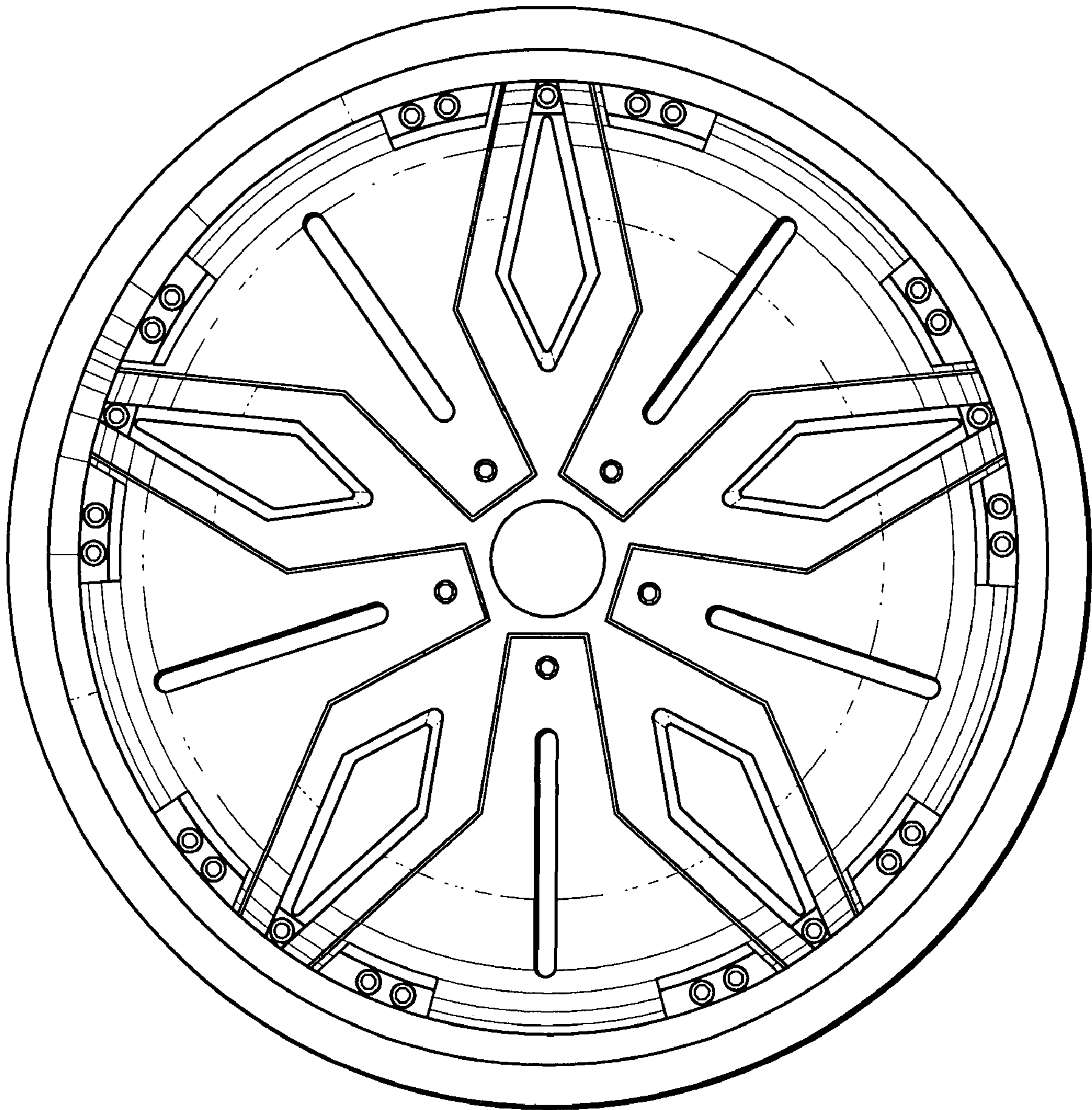


FIG. 2

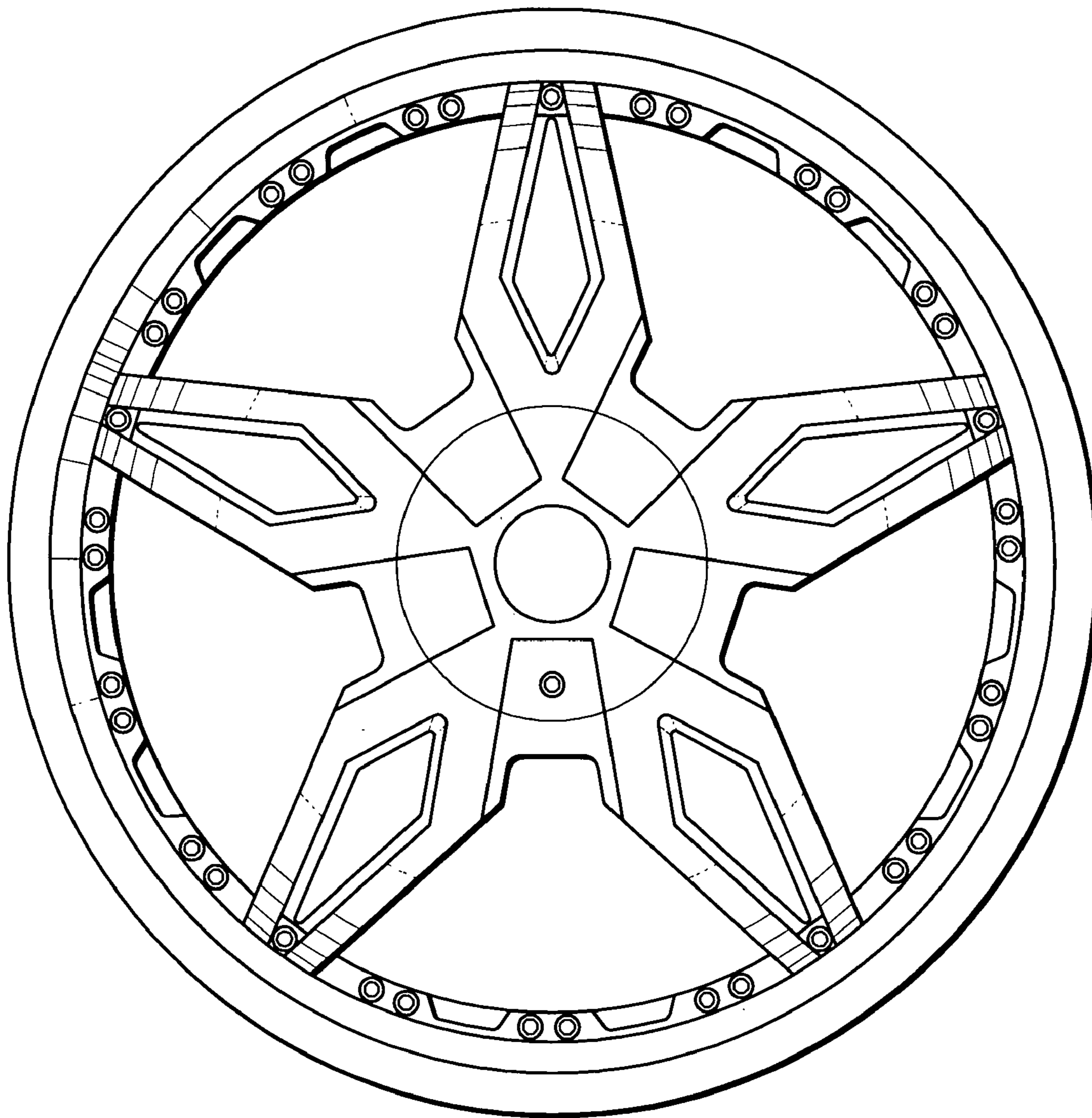


FIG. 3

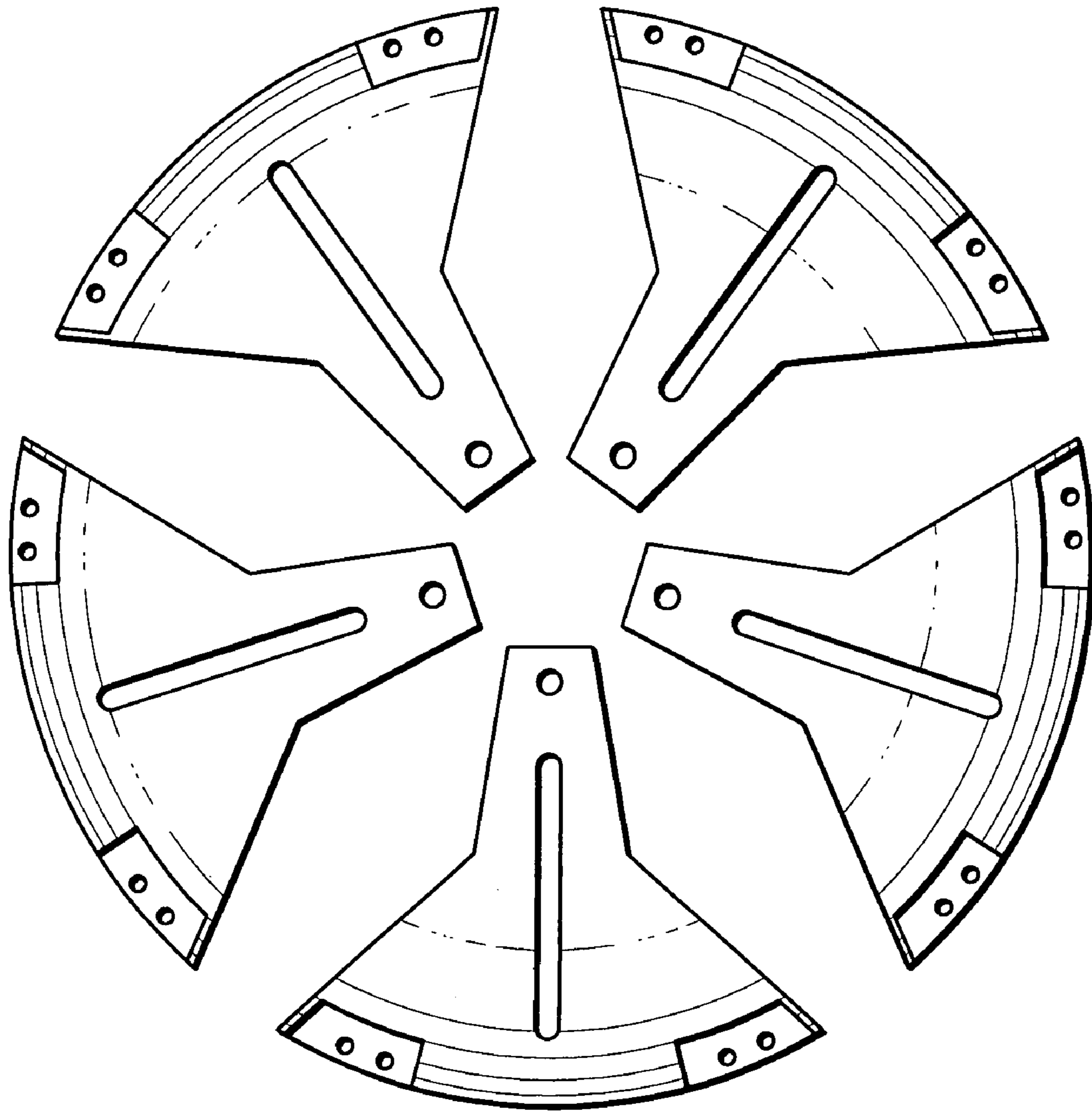


FIG. 4

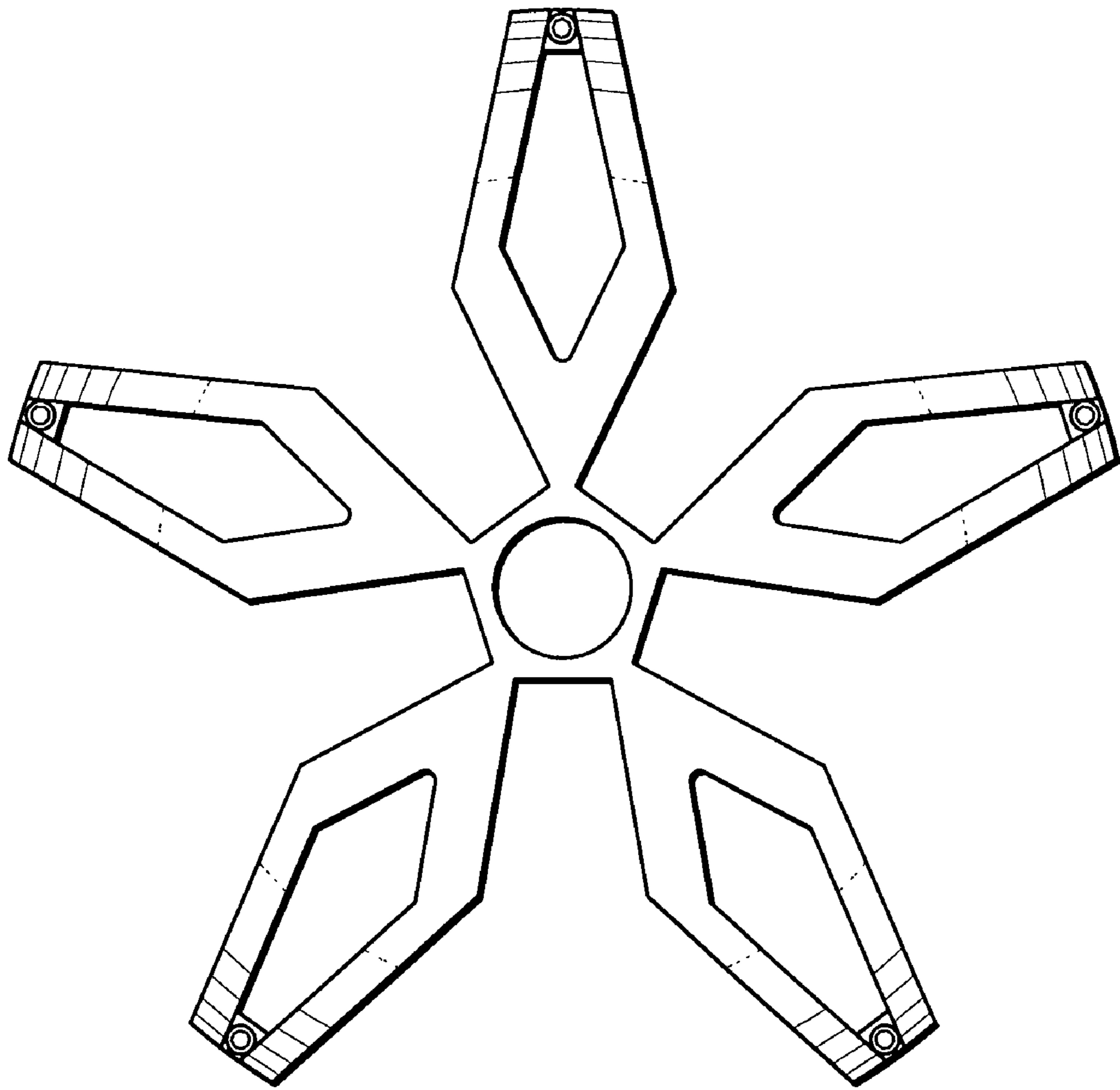


FIG. 5