

US00D568224S

(12) **United States Design Patent**
Szavits

(10) **Patent No.:** **US D568,224 S**

(45) **Date of Patent:** **** May 6, 2008**

(54) **FRONT FACE OF A VEHICLE WHEEL**

(75) Inventor: **Michael Szavits**, Munich (DE)

(73) Assignee: **Bayerische Motoren Werke
Aktiengesellschaft**, Munich (DE)

(**) Term: **14 Years**

(21) Appl. No.: **29/287,333**

(22) Filed: **Jul. 24, 2007**

(30) **Foreign Application Priority Data**

Jan. 25, 2007 (DE) 40700466

(51) **LOC (8) Cl.** **12-16**

(52) **U.S. Cl.** **D12/209**

(58) **Field of Classification Search** D12/204-213;
301/37.101, 64.101, 65

See application file for complete search history.

(56) **References Cited**

U.S. PATENT DOCUMENTS

- D408,774 S * 4/1999 Nishida D12/209
- D423,441 S * 4/2000 Bildhaeuser D12/209
- D432,970 S * 10/2000 Pfeiffer et al. D12/209
- D436,569 S * 1/2001 Brown et al. D12/209

- D460,728 S * 7/2002 Clarke D12/209
- D460,938 S * 7/2002 Fitzgerald D12/209
- D480,672 S * 10/2003 Pfeiffer et al. D12/209
- D491,123 S * 6/2004 Lai D12/209
- D511,488 S * 11/2005 Hou et al. D12/209
- D513,219 S * 12/2005 Sinkwitz D12/209
- D534,112 S * 12/2006 Holstein D12/209

FOREIGN PATENT DOCUMENTS

WO DM/056013 12/2000

* cited by examiner

Primary Examiner—Stacia Cadmus

(74) *Attorney, Agent, or Firm*—Crowell & Moring LLP

(57) **CLAIM**

The ornamental design for a front face of a vehicle wheel, as shown and described.

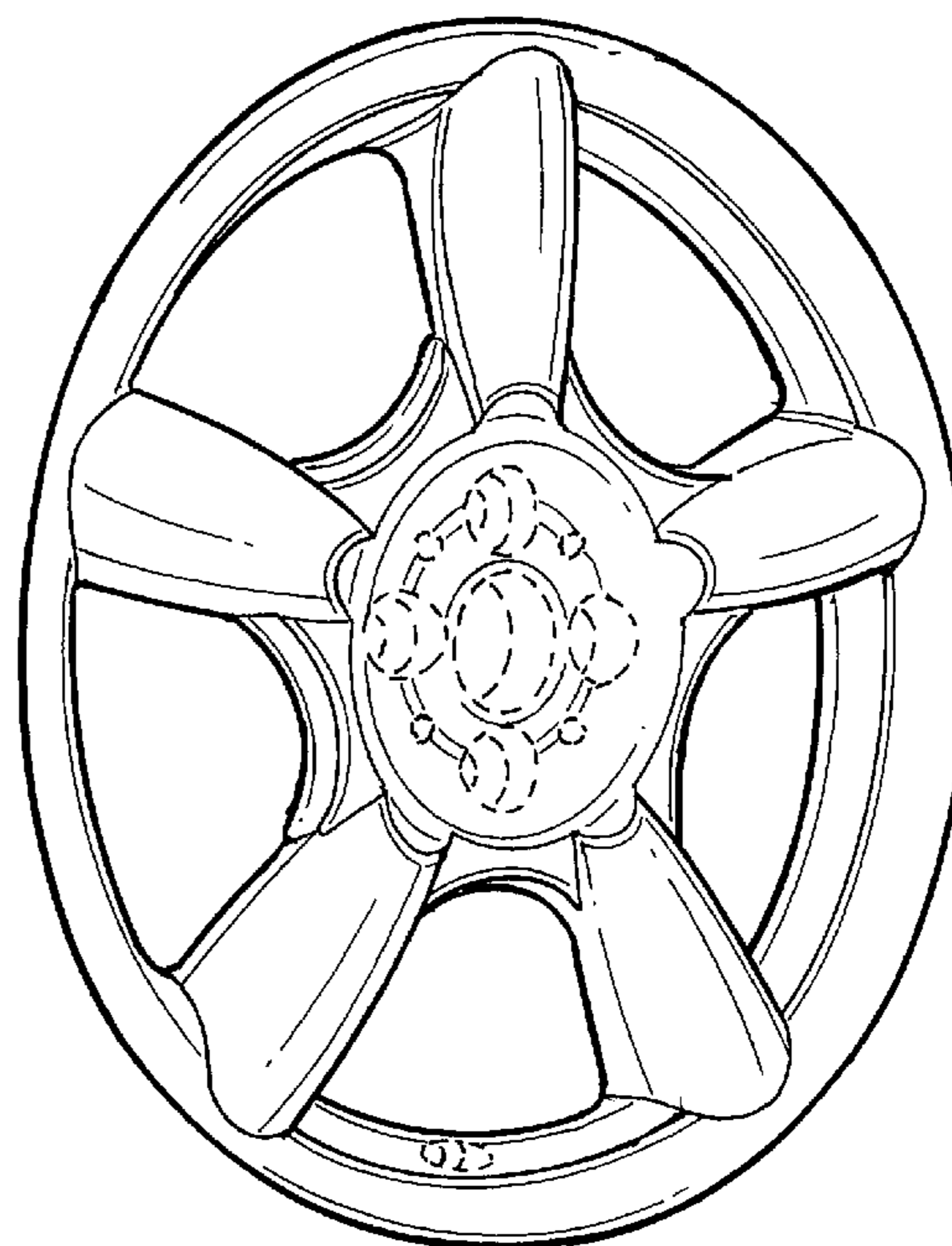
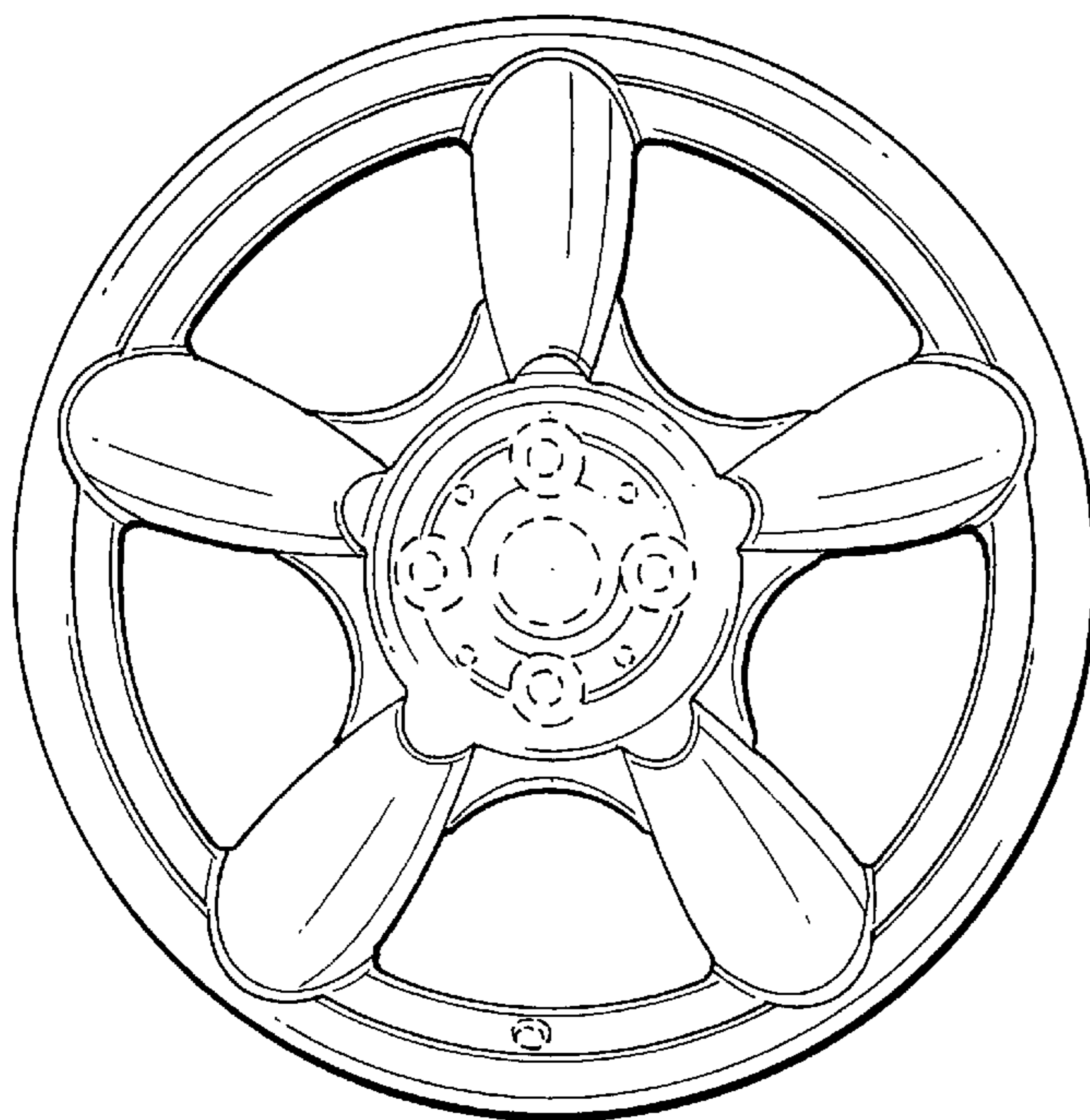
DESCRIPTION

FIG. 1 is a front view of a front face of a vehicle wheel according to my novel design; and,

FIG. 2 is a perspective view thereof.

The broken lines are for illustrative purposes only and form no part of the claimed design.

1 Claim, 1 Drawing Sheet



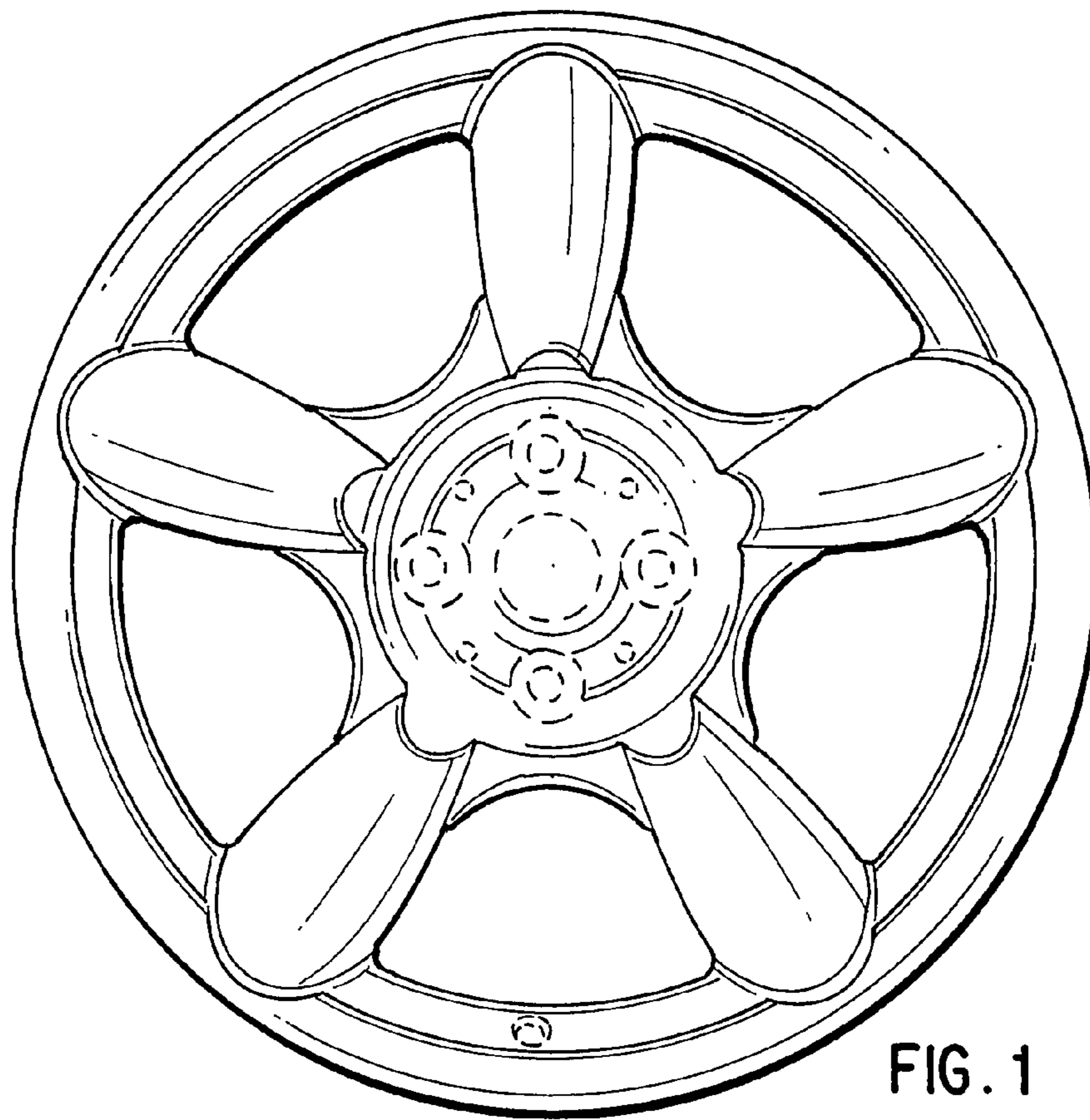


FIG. 1

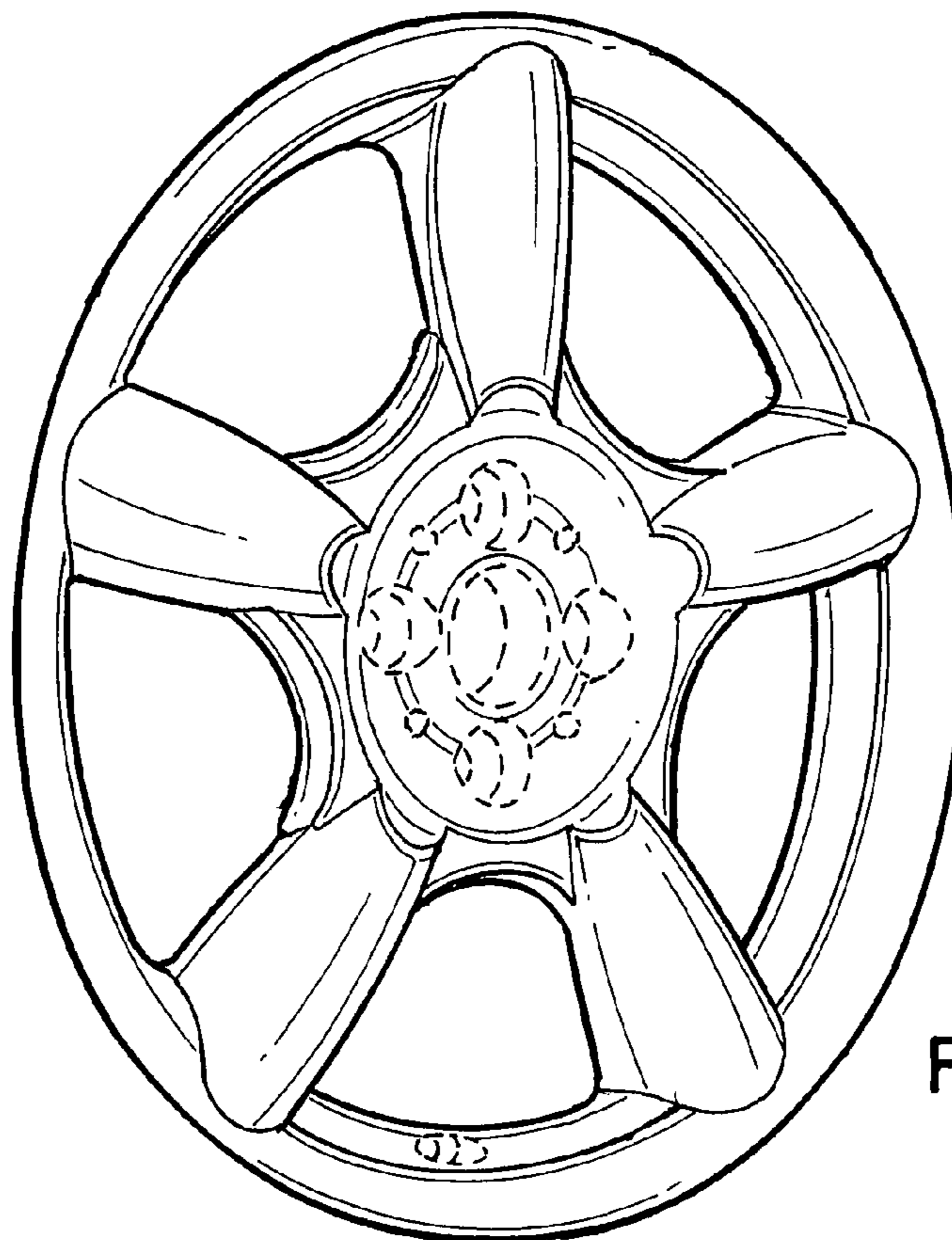


FIG. 2