



US00D568222S

(12) **United States Design Patent** (10) **Patent No.:** **US D568,222 S**
Storer (45) **Date of Patent:** **** May 6, 2008**

(54) **VEHICLE SIDE BAR**

(75) Inventor: **Ron Storer**, Villa Park, CA (US)

(73) Assignee: **Xtreme Metal Fab., Inc.**, Brea, CA (US)

(**) Term: **14 Years**

(21) Appl. No.: **29/292,754**

(22) Filed: **Oct. 26, 2007**

(51) **LOC (8) Cl.** **12-16**

(52) **U.S. Cl.** **D12/203**

(58) **Field of Classification Search** D12/203,
D12/400, 414; D25/68-69; 52/179-180,
52/718.03, 718.04; 280/163.166, 169, 163,
280/164.1-164.2, 414.1-414.3, 847-848,
280/770, 495; 248/214; 182/90-92; 428/138,
428/141; 180/182-185, 90; 15/215-217;
293/118; 296/62

See application file for complete search history.

(56) **References Cited**

U.S. PATENT DOCUMENTS

D276,716 S	12/1984	Dignan
D296,431 S	6/1988	Yont
D315,134 S	3/1991	Springer
D320,592 S	10/1991	Straka
D330,536 S	10/1992	Holloway et al.
D361,319 S	8/1995	Orth, Sr. et al.
D370,452 S	6/1996	Beasley
D381,948 S	8/1997	Schult
D415,727 S	10/1999	Jeffries
6,050,579 A	4/2000	Selland et al.
D428,591 S	7/2000	Jeffries
D434,711 S	12/2000	McQuiston
D436,336 S	1/2001	Sadr

D444,754 S	7/2001	Storer	
D463,345 S	9/2002	Cipolla	
D464,919 S	10/2002	Pichan	
D474,435 S *	5/2003	Lund et al.	D12/203
D489,297 S	5/2004	Pichan	
D491,509 S	6/2004	Bundy	
D495,283 S *	8/2004	Ashley et al.	D12/203
D505,901 S *	6/2005	Wang	D12/203
D511,319 S	11/2005	Wang	
D513,217 S	12/2005	Daws et al.	
D513,398 S *	1/2006	Kozak et al.	D12/203
D532,354 S	11/2006	Storer	
D546,745 S *	7/2007	Storer	D12/203

* cited by examiner

Primary Examiner—Stacia Cadmus

(74) *Attorney, Agent, or Firm*—Stetina Brunda Garred & Brucker

(57) **CLAIM**

The ornamental design for a vehicle side bar, as shown and described.

DESCRIPTION

FIG. 1 is a front perspective view of the vehicle side bar of the present invention showing my design with the dotted lines depicting solely environmental structure and forming no part of the claimed design;

FIG. 2 is a side elevational view thereof;

FIG. 3 is a top plan view thereof;

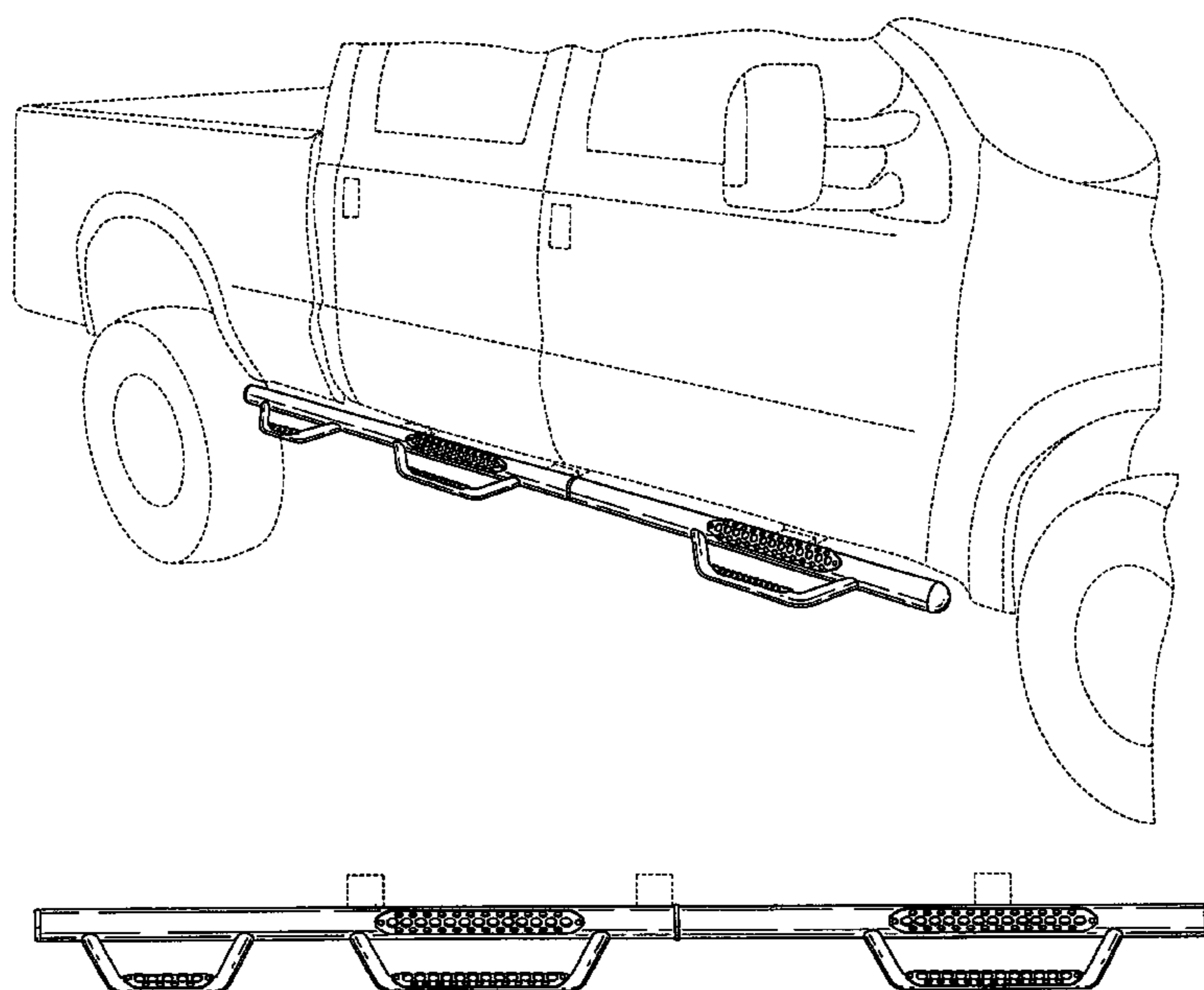
FIG. 4 is a bottom plan view thereof;

FIG. 5 is a side plan view thereof;

FIG. 6 is left end view thereof; and,

FIG. 7 is a right end view thereof.

1 Claim, 2 Drawing Sheets



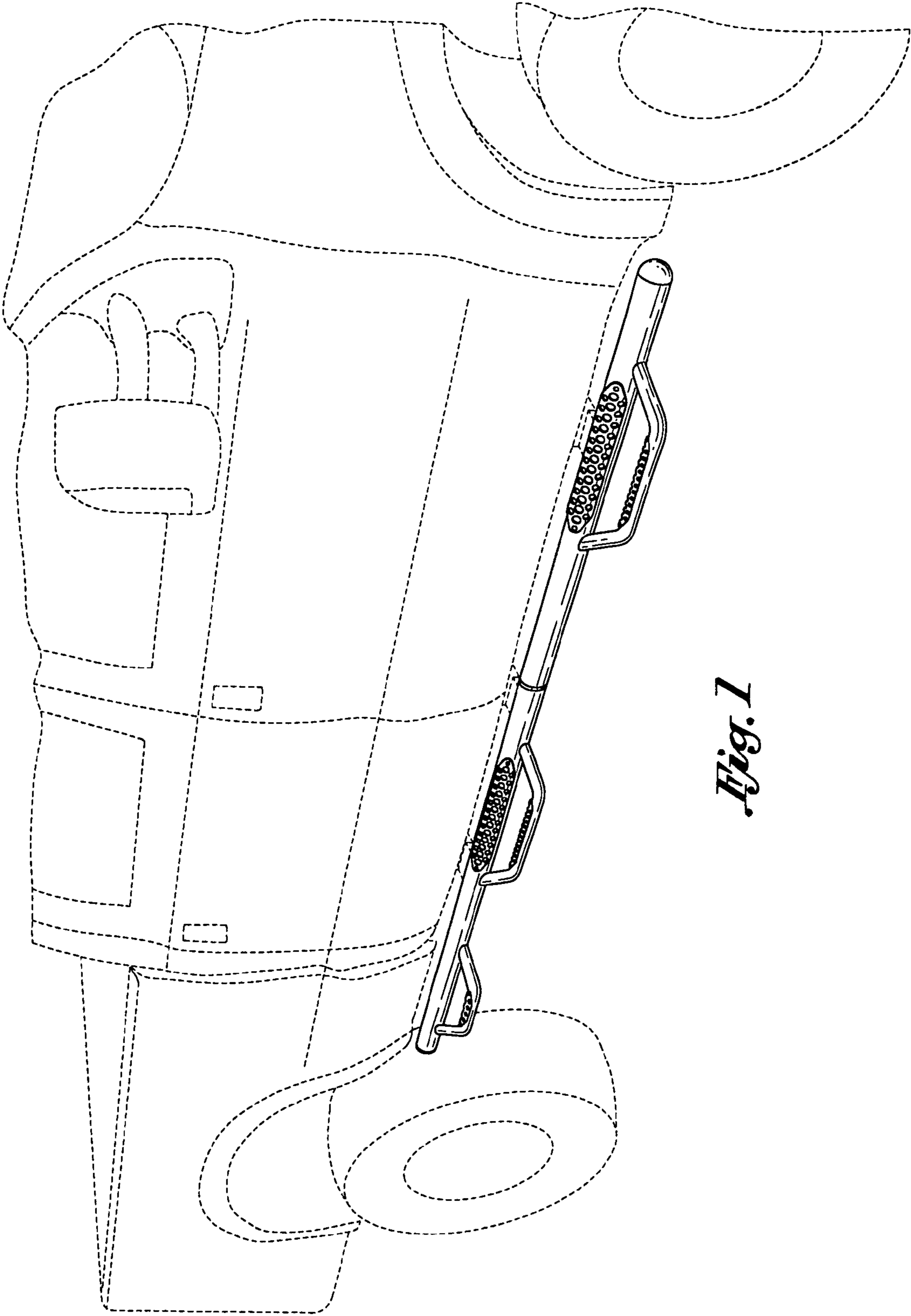


Fig. 1

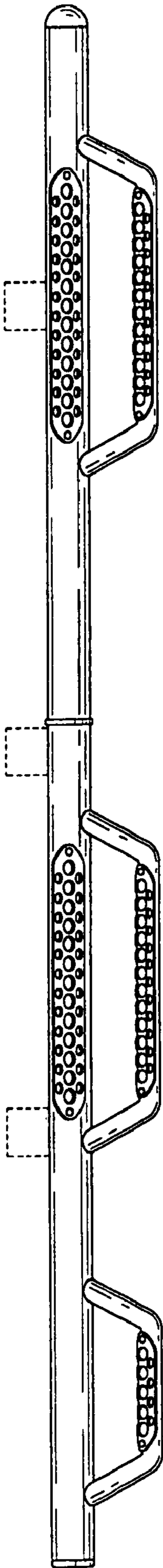


Fig. 2

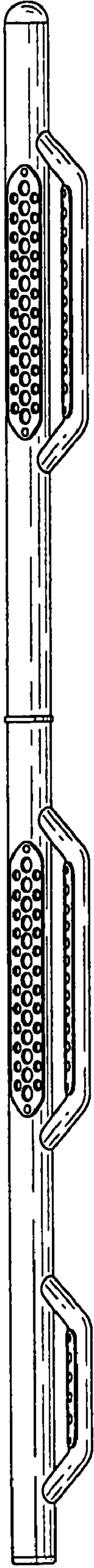


Fig. 3



Fig. 4

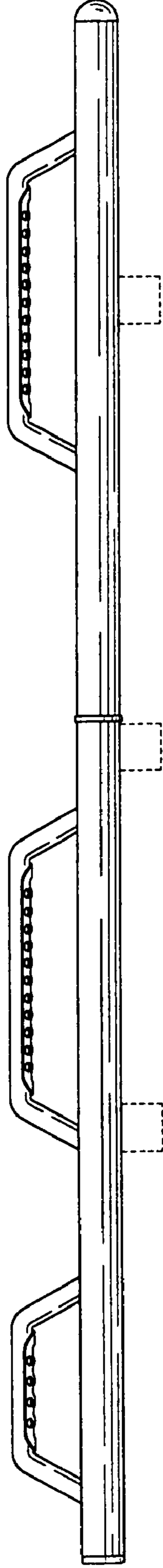


Fig. 5

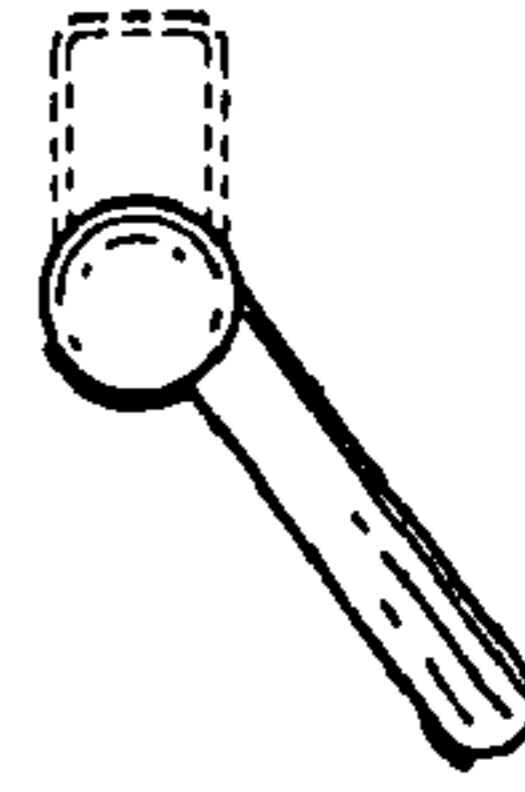


Fig. 7

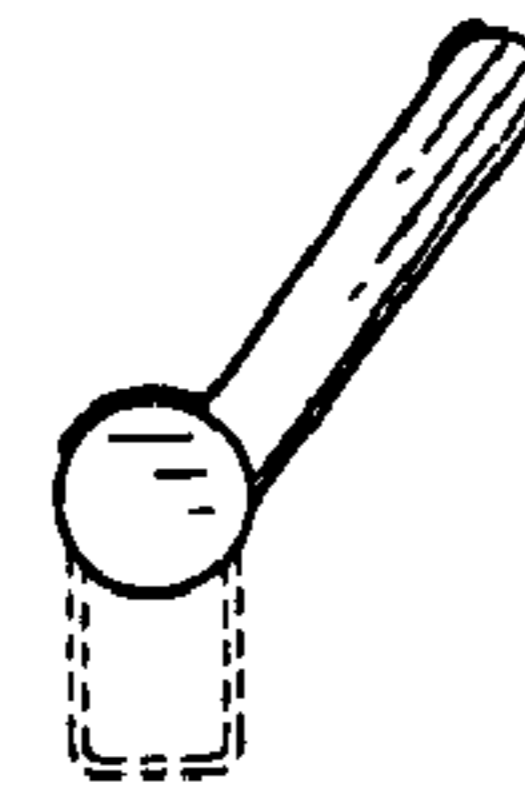


Fig. 6