



US00D568221S

(12) **United States Design Patent**  
**Cord et al.**

(10) **Patent No.:** **US D568,221 S**

(45) **Date of Patent:** **\*\* May 6, 2008**

(54) **RUNNING BOARD**

(75) Inventors: **William H. Cord**, Corona Del Mar, CA (US); **Robert Crandall**, Yorba Linda, CA (US); **Dany G. Smith**, Grand Prairie, TX (US)

(73) Assignee: **Cord Automotive International, Inc.**, Anaheim, CA (US)

(\*\*) Term: **14 Years**

(21) Appl. No.: **29/289,136**

(22) Filed: **Jul. 6, 2007**

(51) **LOC (8) Cl.** ..... **12-16**

(52) **U.S. Cl.** ..... **D12/203**

(58) **Field of Classification Search** ..... D12/203,  
D12/400; D25/68-69; 52/179-180, 718.03,  
52/718.04; 280/163.166, 169, 163, 164.1-164.2,  
280/414.1-414.3, 847-848; 248/214; 182/92  
See application file for complete search history.

(56) **References Cited**

**U.S. PATENT DOCUMENTS**

D261,133 S	*	10/1981	Makela	.....	D12/203
D349,678 S	*	8/1994	Waddington et al.	.....	D12/203
D351,128 S	*	10/1994	Waddington et al.	.....	D12/203
D434,711 S	*	12/2000	McQuiston	.....	D12/203
D514,492 S	*	2/2006	Metros et al.	.....	D12/203
D535,928 S	*	1/2007	Crandall	.....	D12/203

D546,259 S \* 7/2007 Metros et al. .... D12/203

\* cited by examiner

*Primary Examiner*—Stacia Cadmus

(74) *Attorney, Agent, or Firm*—Thompson & Gustavson, L.L.P.

(57) **CLAIM**

The ornamental design for a running board, as shown and described.

**DESCRIPTION**

FIG. 1 is a perspective view of a running board embodying our design, with the running board shown mounted on the side of an automobile to show the environment of its use, the automobile forming no part of the present invention;

FIG. 2 is an outside view of the running board;

FIG. 3 is a front end view of the running board;

FIG. 4 is a back end view of the running board;

FIG. 5 is an inside view of the running board;

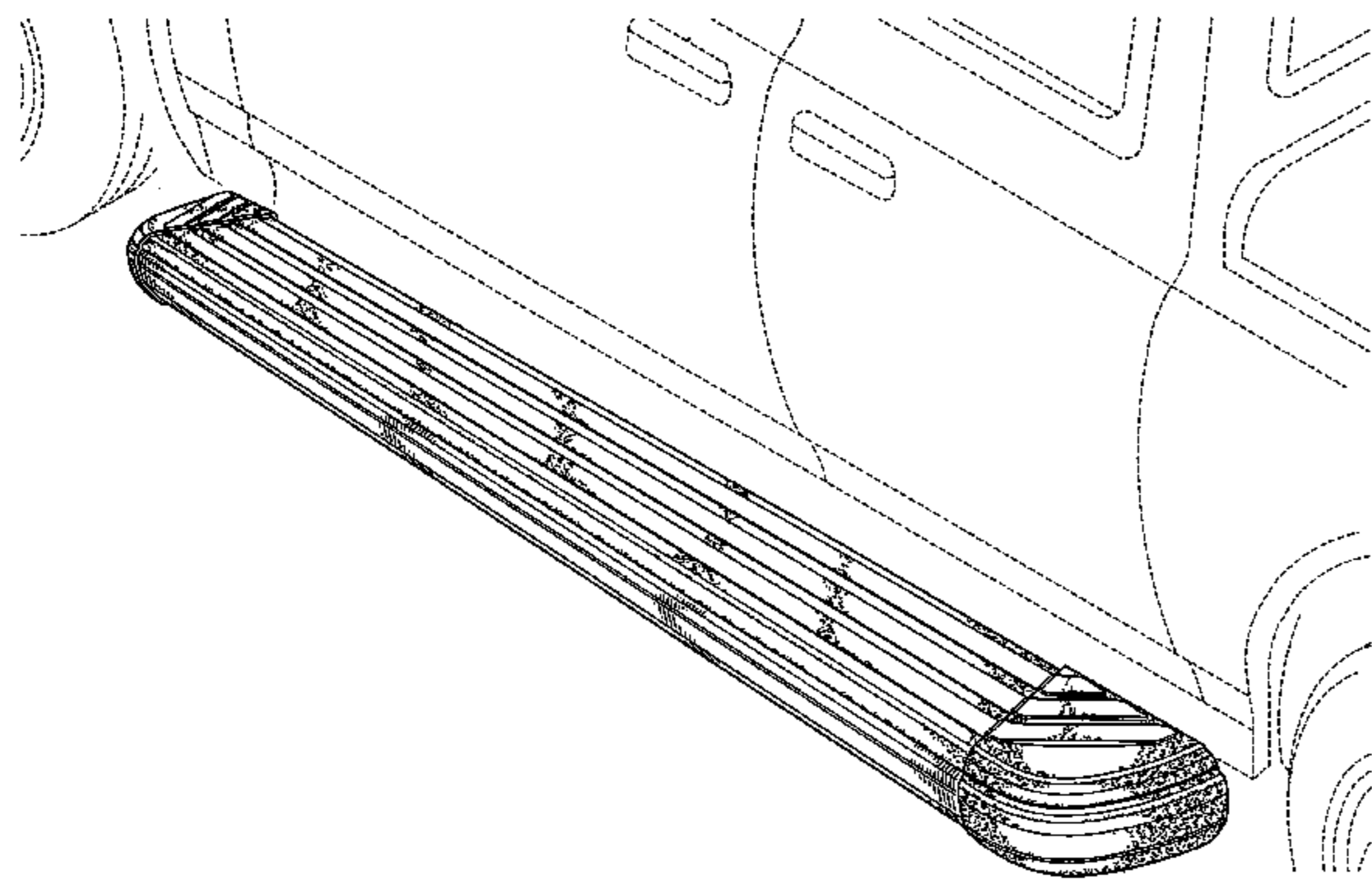
FIG. 6 is a top view of the running board; and,

FIG. 7 is a bottom view of the running board.

The broken lines shown in the drawings are for illustrative purposes only and form no part of the claimed design.

The running board is show broken away in FIGS. 2,5,6 and 7 to indicate indeterminate length.

**1 Claim, 3 Drawing Sheets**



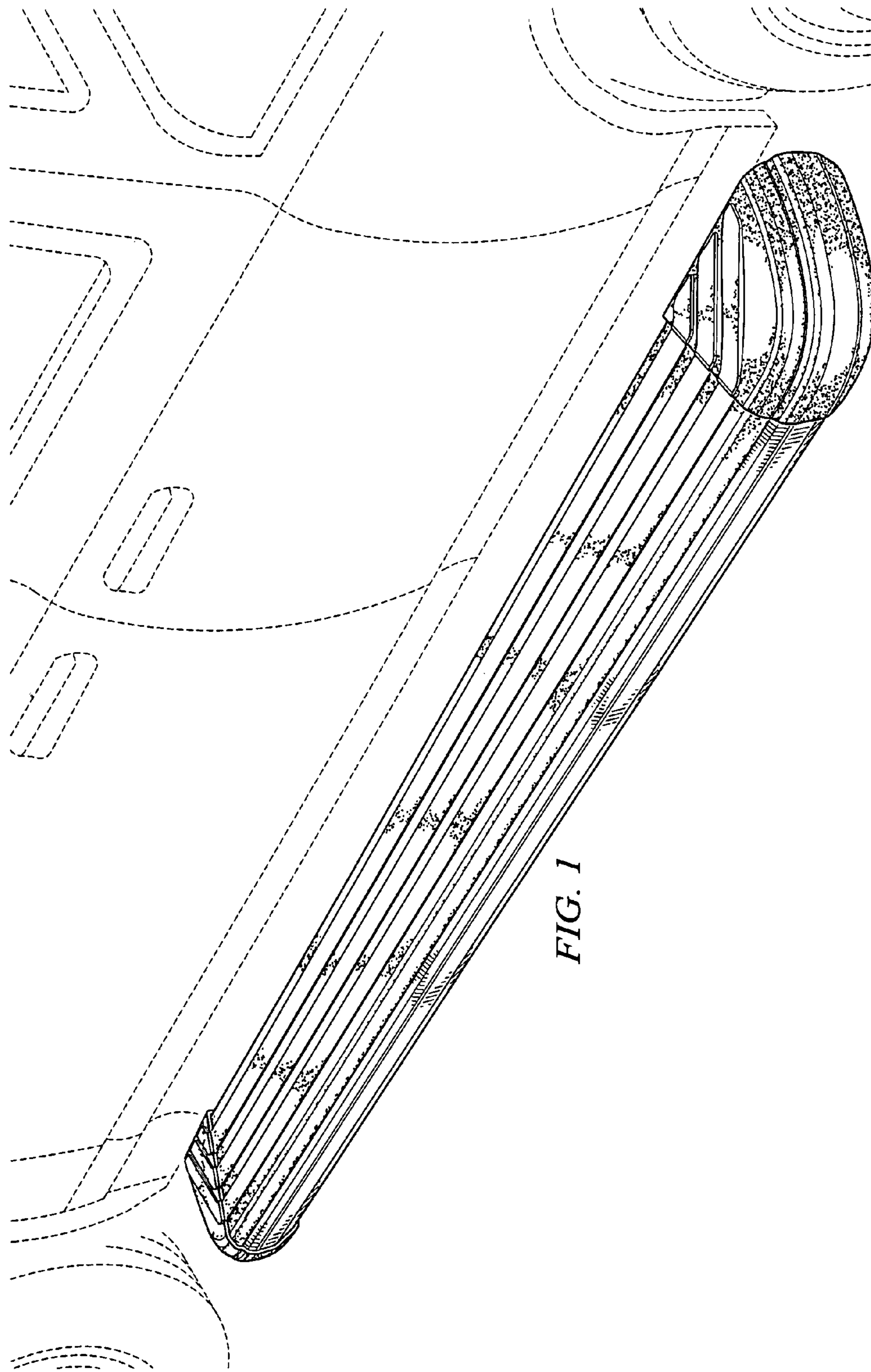


FIG. 1

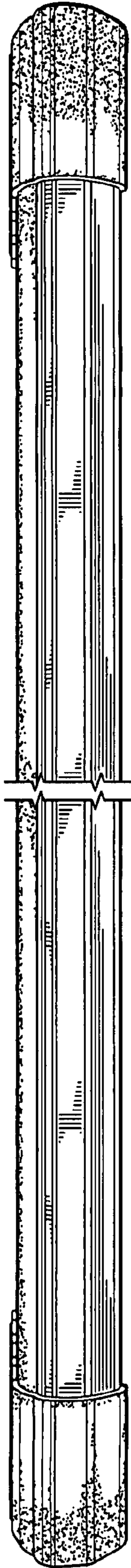


FIG. 2

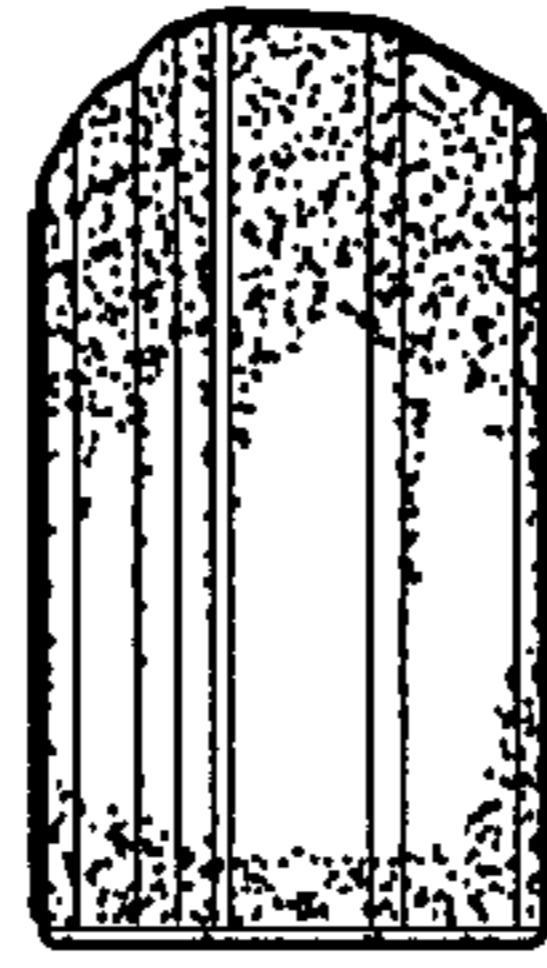


FIG. 4



FIG. 3

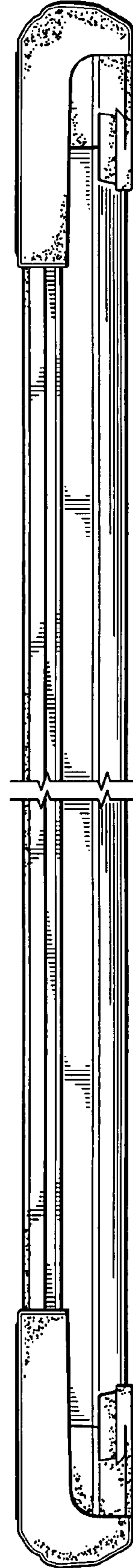


FIG. 5

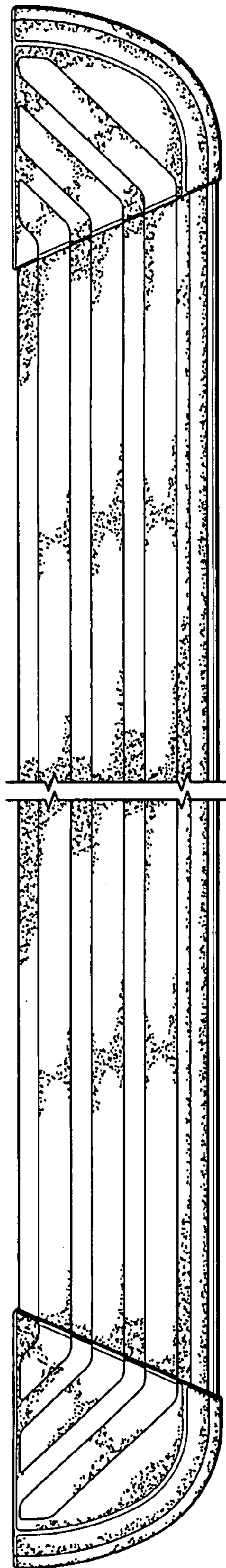


FIG. 6

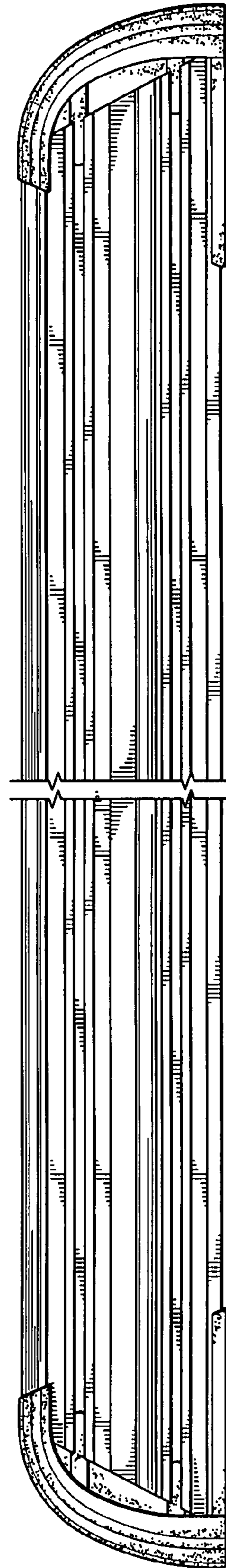


FIG. 7