



US00D568218S

(12) **United States Design Patent**
Markefka

(10) **Patent No.:** **US D568,218 S**

(45) **Date of Patent:** **** May 6, 2008**

(54) **SIDE MIRROR FOR A VEHICLE**

(75) Inventor: **Marc Michael Markefka**, Munich (DE)

(73) Assignee: **Bayerische Motoren Werke Aktiengesellschaft**, Munich (DE)

(**) Term: **14 Years**

(21) Appl. No.: **29/255,172**

(22) Filed: **Mar. 7, 2006**

(30) **Foreign Application Priority Data**

Sep. 8, 2005 (DE) 4 05 04 712

(51) **LOC (8) Cl.** **12-16**

(52) **U.S. Cl.** **D12/187**

(58) **Field of Classification Search** D12/18-189;
D6/300, 309; 359/838, 841, 843-844, 871-872,
359/868, 877, 604, 881, 514, 866; 248/475.1,
248/479-483

See application file for complete search history.

(56) **References Cited**

U.S. PATENT DOCUMENTS

D372,450 S *	8/1996	Santo	D12/187
D410,421 S *	6/1999	Pfeiffer	D12/187
D428,840 S *	8/2000	Weidhase	D12/187
D432,473 S *	10/2000	Sieber	D12/187
D463,342 S *	9/2002	Sinkwitz	D12/187
D468,670 S *	1/2003	Warming	D12/187
D484,837 S *	1/2004	Liu	D12/187
D490,351 S *	5/2004	Wang	D12/187
D500,274 S *	12/2004	Pfeiffer	D12/187
D508,003 S *	8/2005	Kushima et al.	D12/187
D511,127 S *	11/2005	Elmitt	D12/187
D516,480 S *	3/2006	Nagashima	D12/187
D545,739 S *	7/2007	Sasaki et al.	D12/187

FOREIGN PATENT DOCUMENTS

EM 000252523-0002 2/2005

* cited by examiner

Primary Examiner—Caron D. Veynar

Assistant Examiner—Abraham Bahta

(74) *Attorney, Agent, or Firm*—Crowell & Moring LLP

(57) **CLAIM**

The ornamental design for a side mirror for a vehicle, as shown and described.

DESCRIPTION

This application is related to the following co-pending applications, of the inventor, filed on even date herewith: Application Ser. No. 29/255,177, entitled “Surface Configuration of a Vehicle, Toy, and/or Other Replicas”; and Application Ser. No. 29/255,176, entitled “Surface Configuration of a Vehicle, Toy, and/or Other Replicas”.

FIG. 1 is a front perspective view of a first embodiment of a side mirror for a vehicle according to my novel design;

FIG. 2 is a rear, elevated perspective view thereof;

FIG. 3 is a front view thereof;

FIG. 4 is a rear view thereof;

FIG. 5 is a side view thereof;

FIG. 6 is a top view thereof; and

FIG. 7 is a bottom view thereof;

FIG. 8 is a front perspective view of a second embodiment of the side mirror for a vehicle according to my novel design;

FIG. 9 is a rear, elevated perspective view thereof;

FIG. 10 is a front view thereof;

FIG. 11 is a rear view thereof;

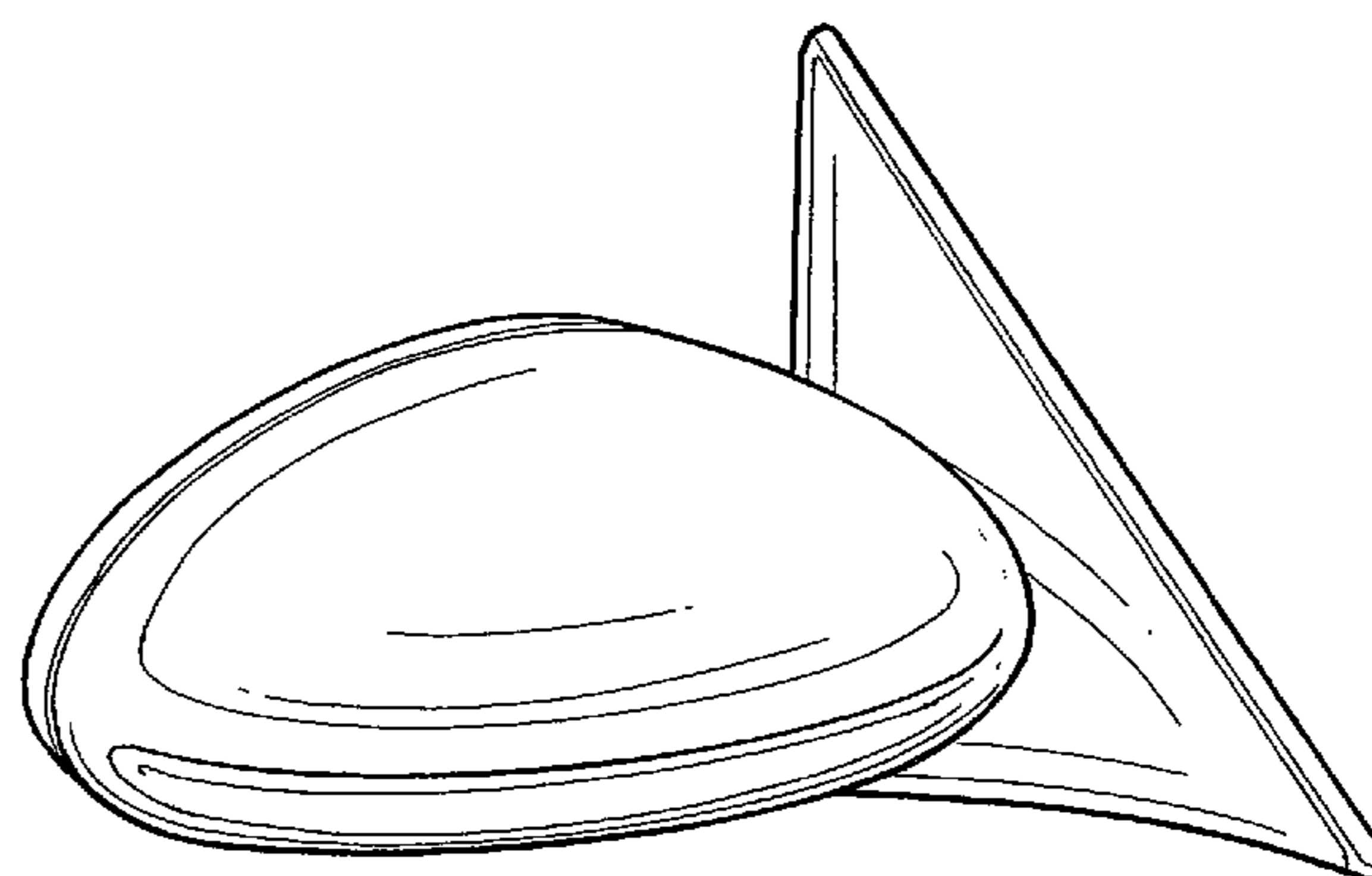
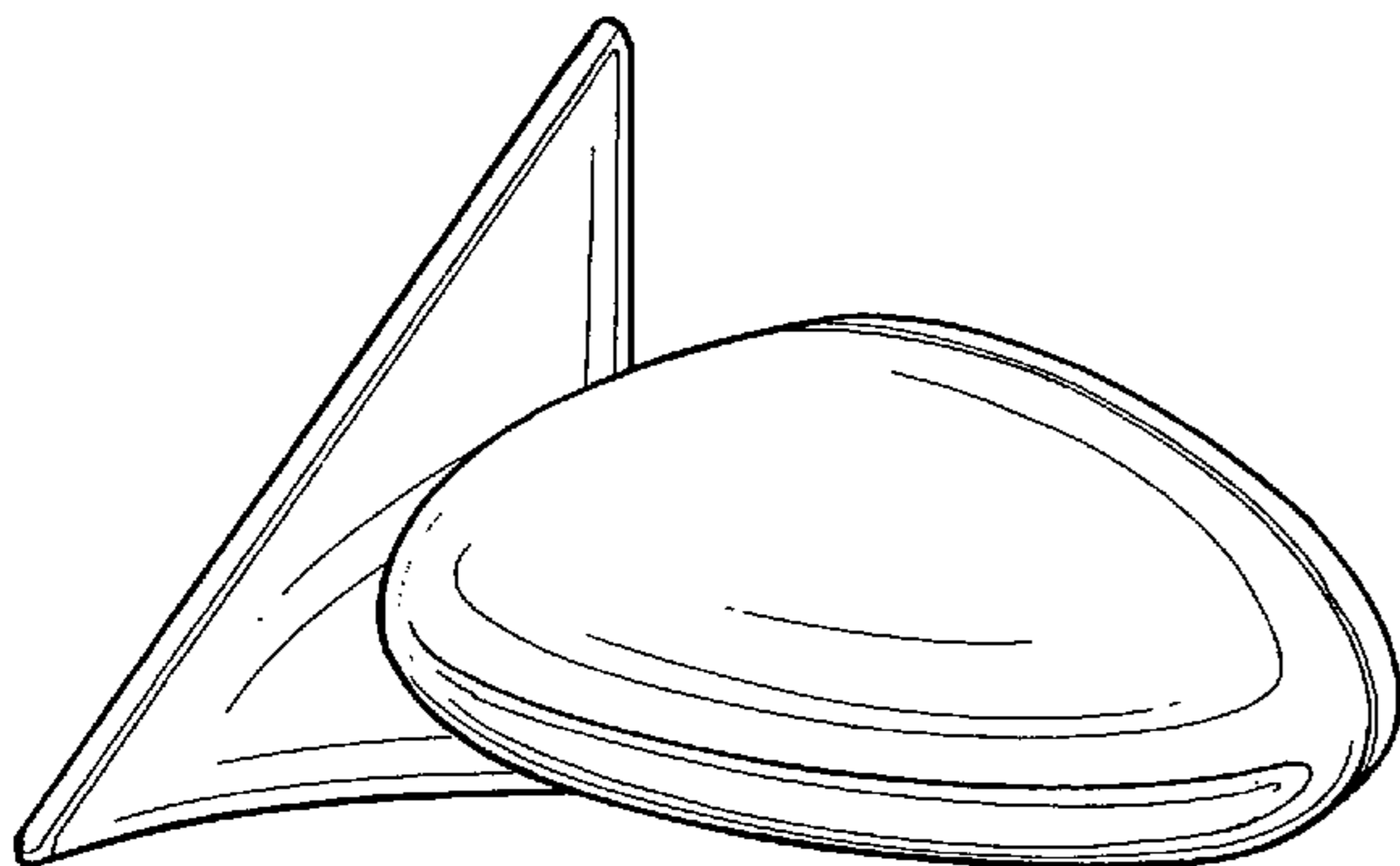
FIG. 12 is a side view thereof;

FIG. 13 is a top view thereof; and,

FIG. 14 is a bottom view thereof.

The broken lines are for illustrative purposes only and form no part of the claimed design.

1 Claim, 8 Drawing Sheets



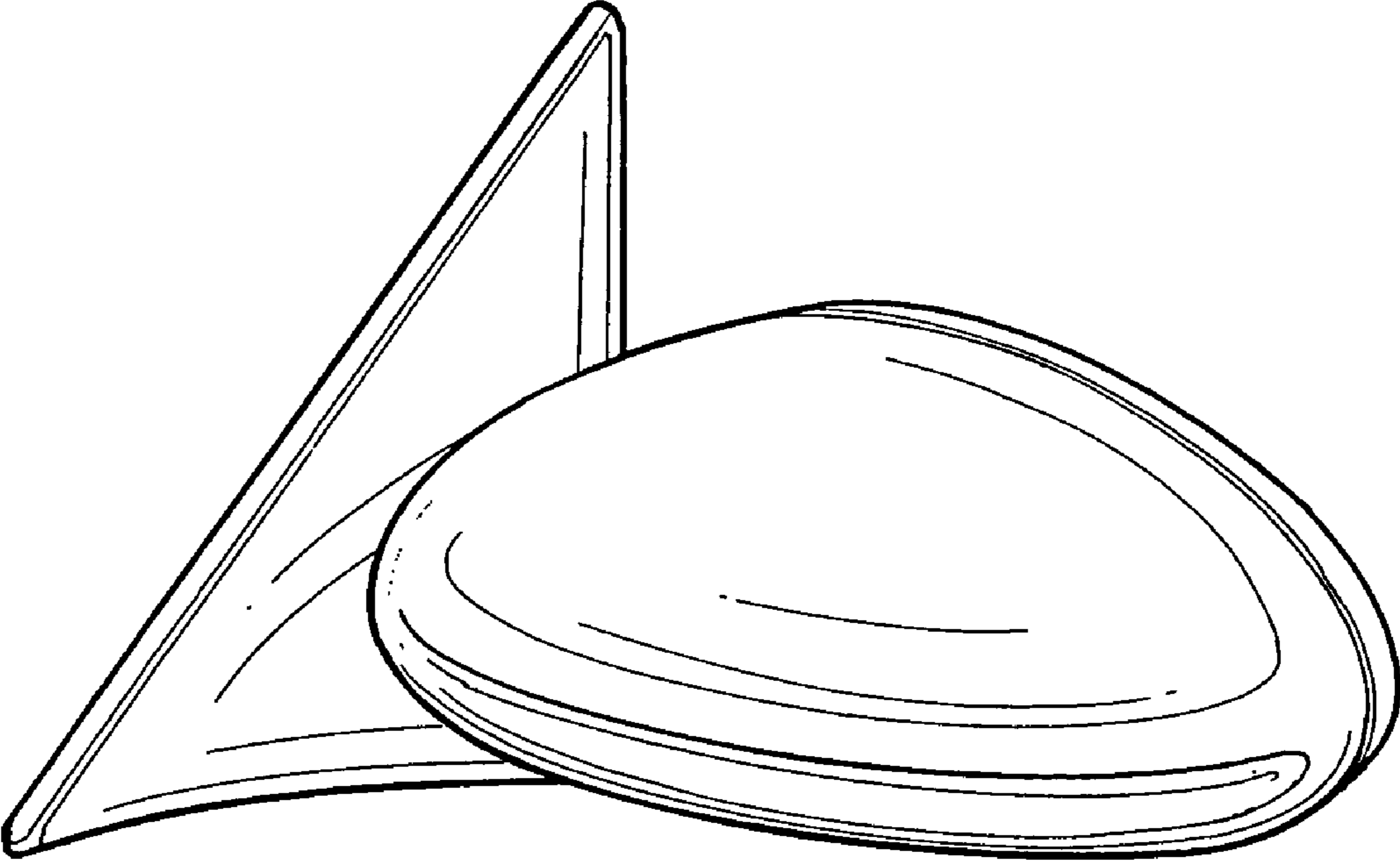


FIG. 1

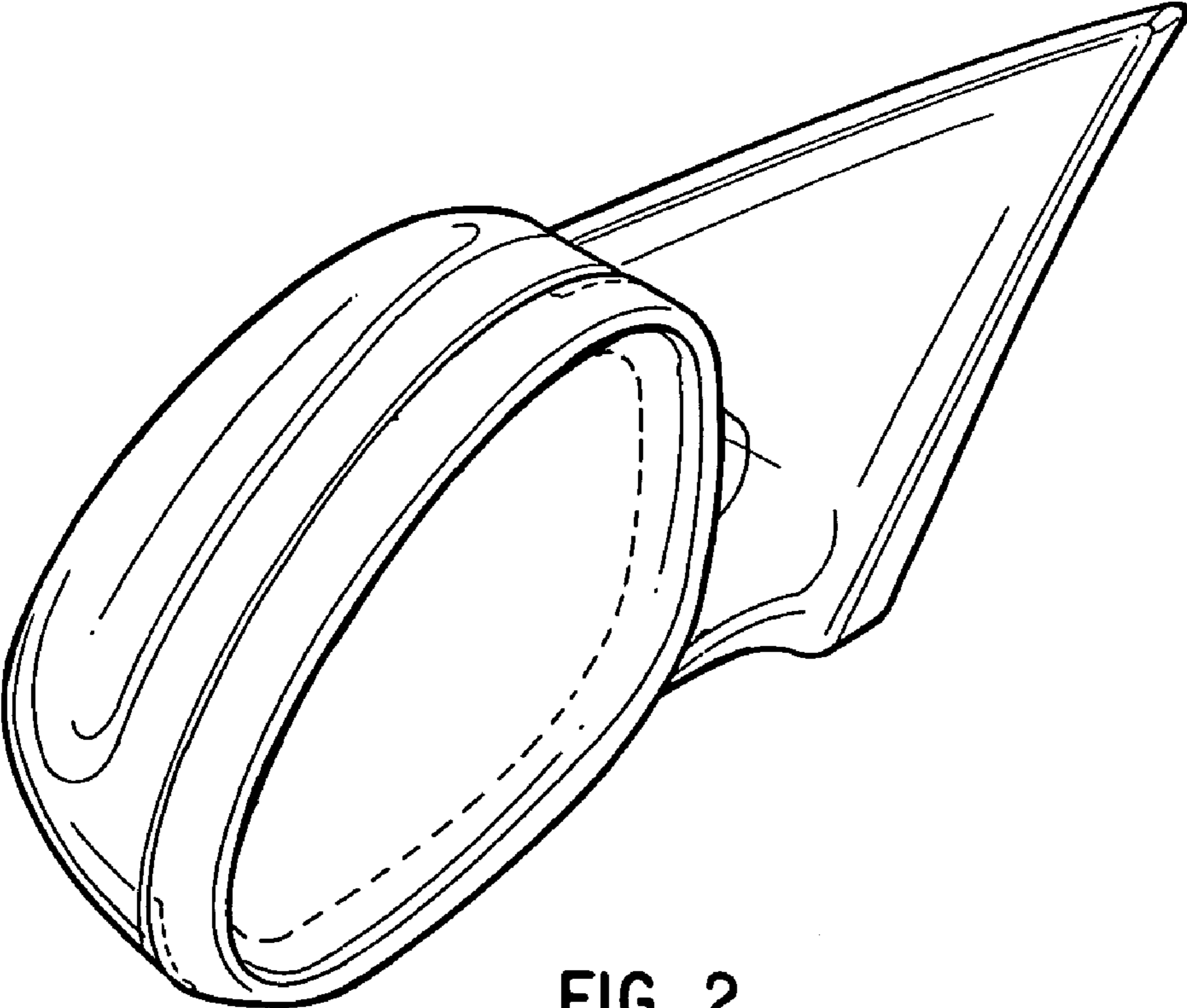


FIG. 2

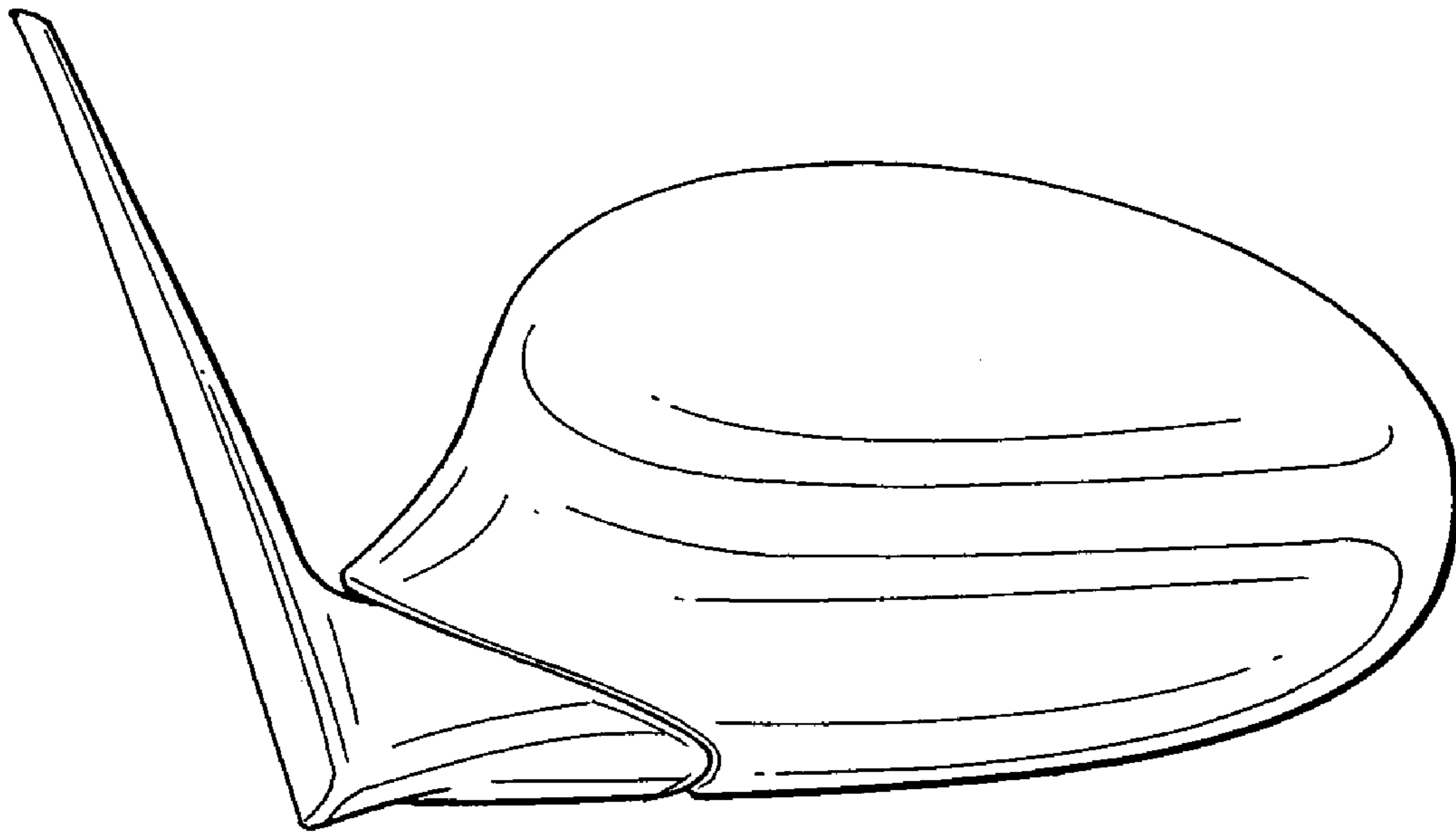


FIG. 3

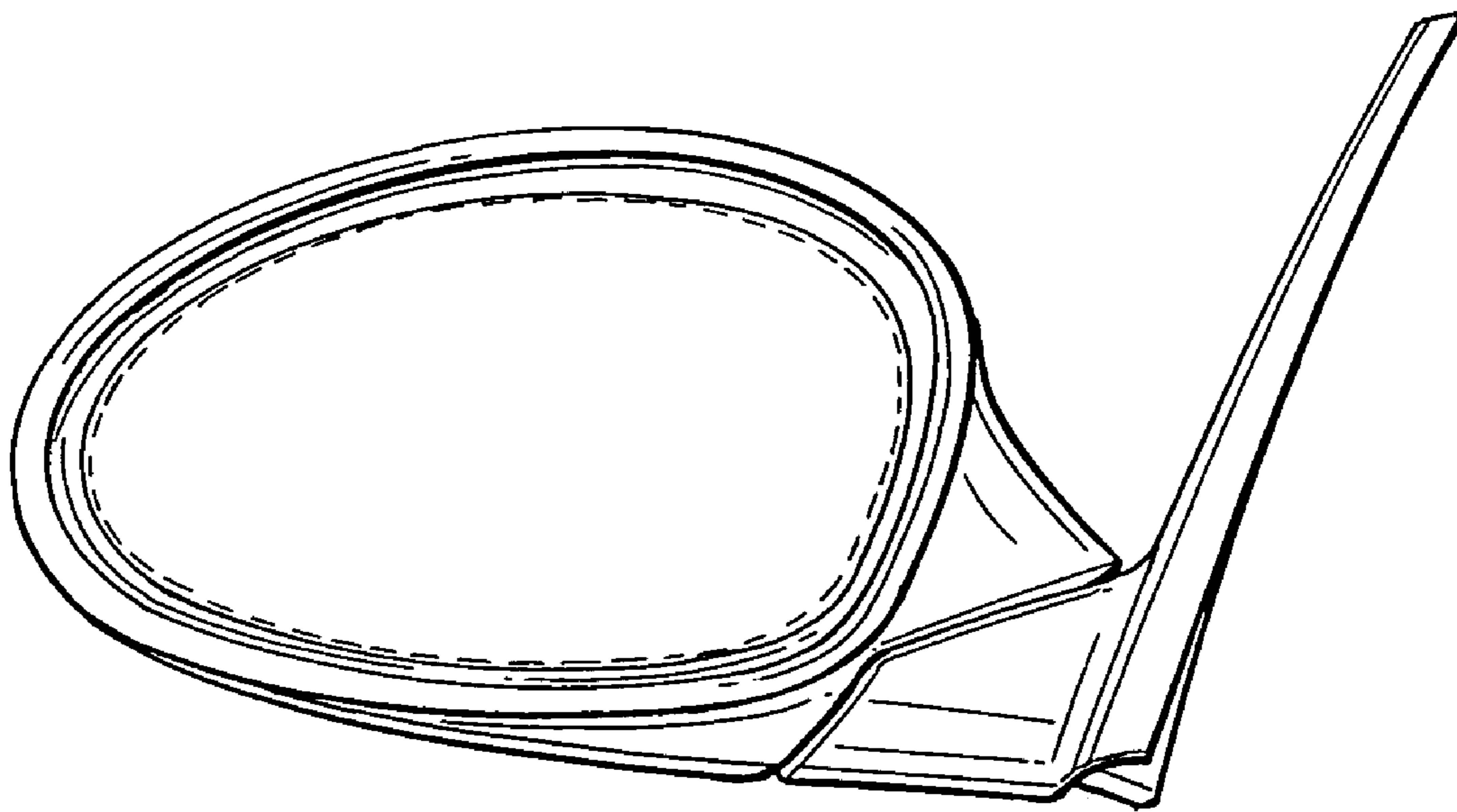


FIG. 4

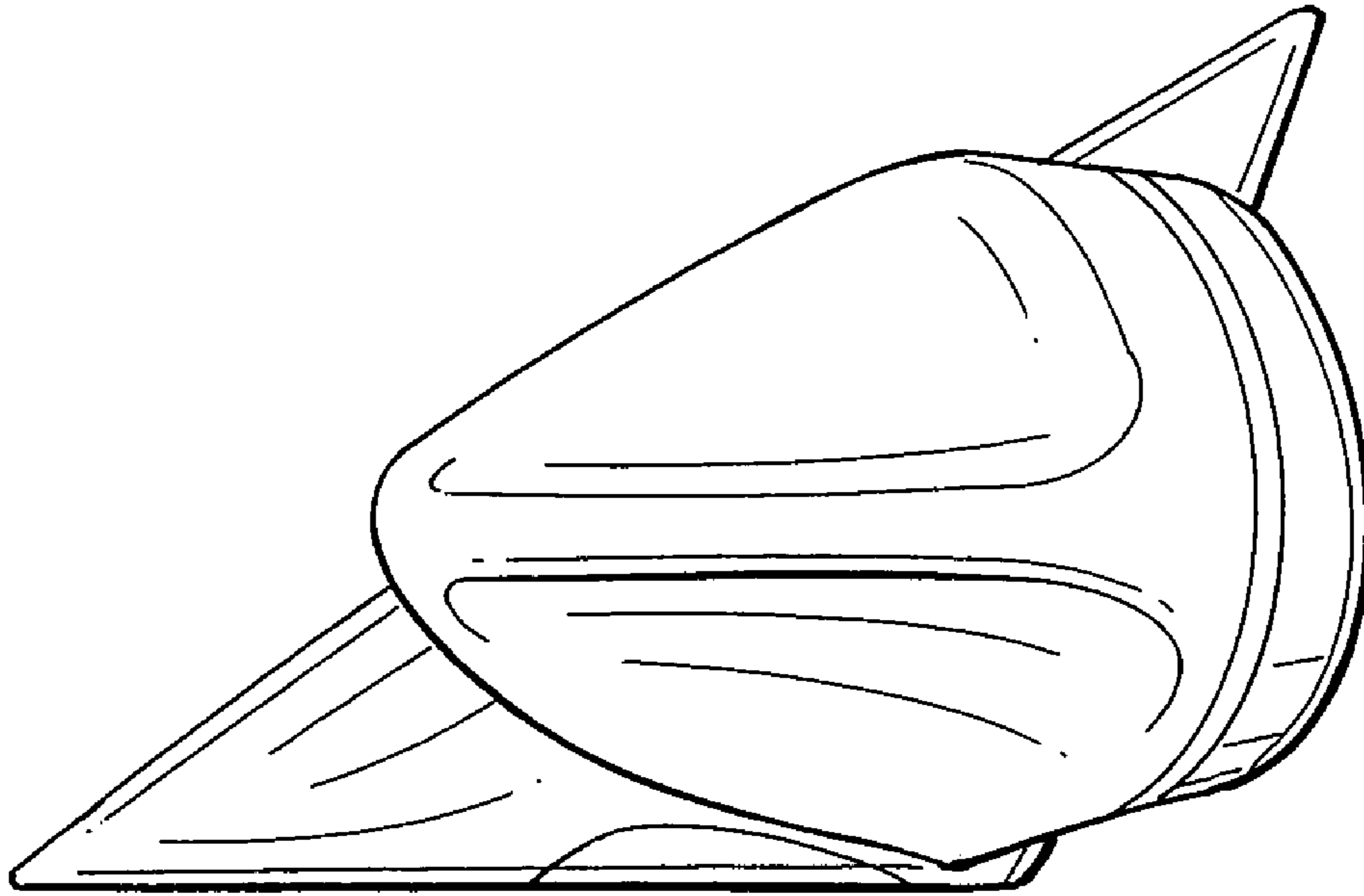


FIG. 5

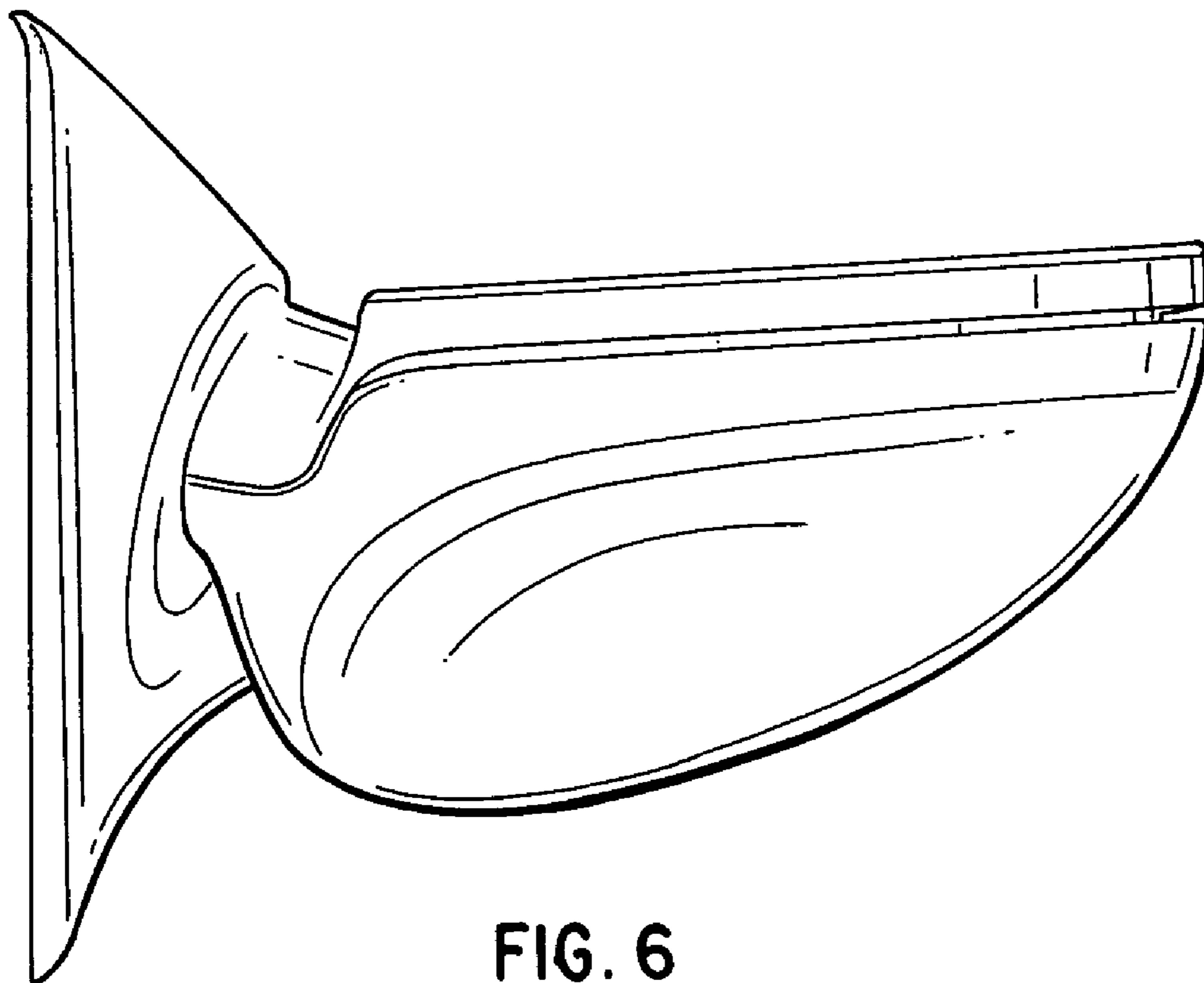


FIG. 6

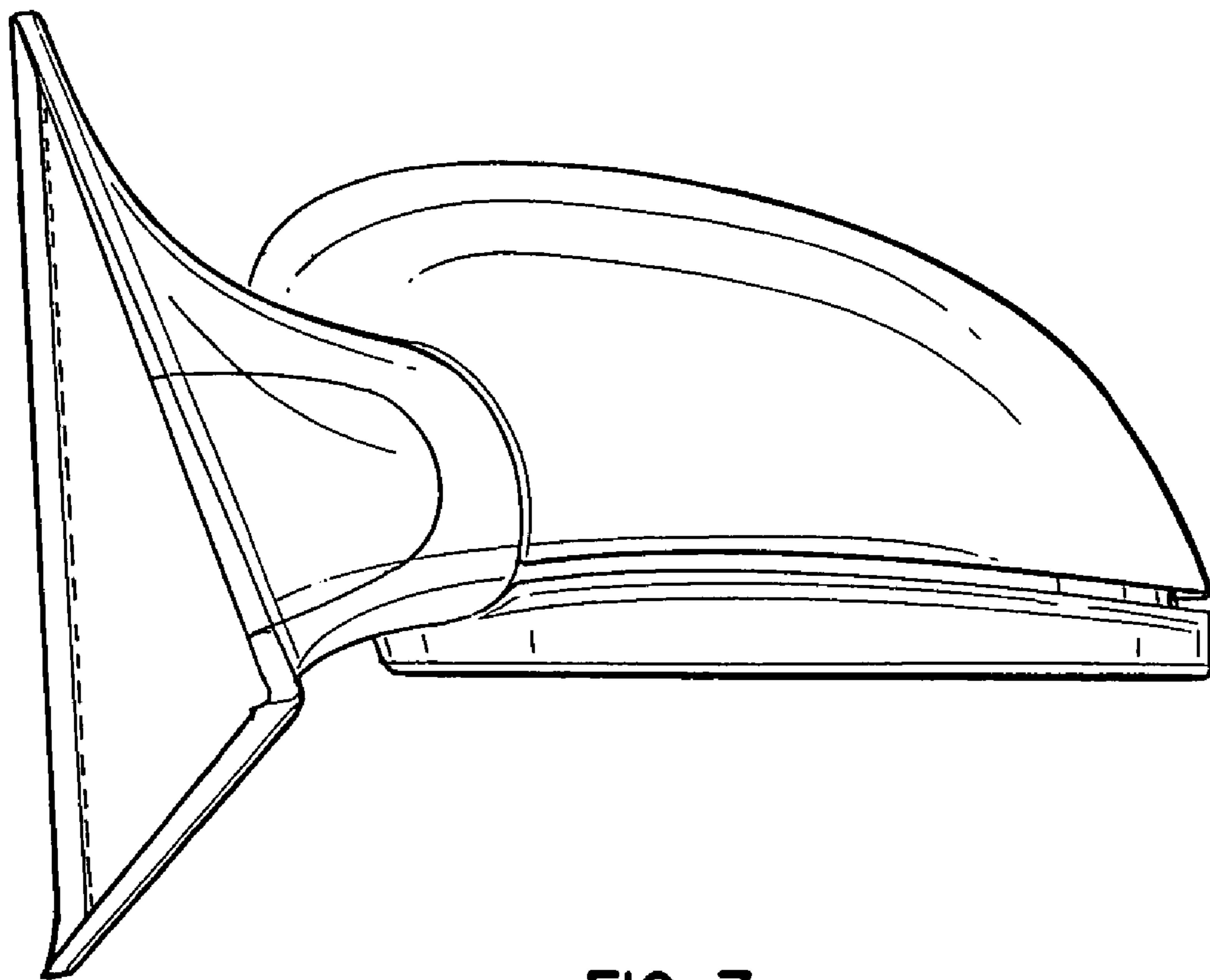


FIG. 7

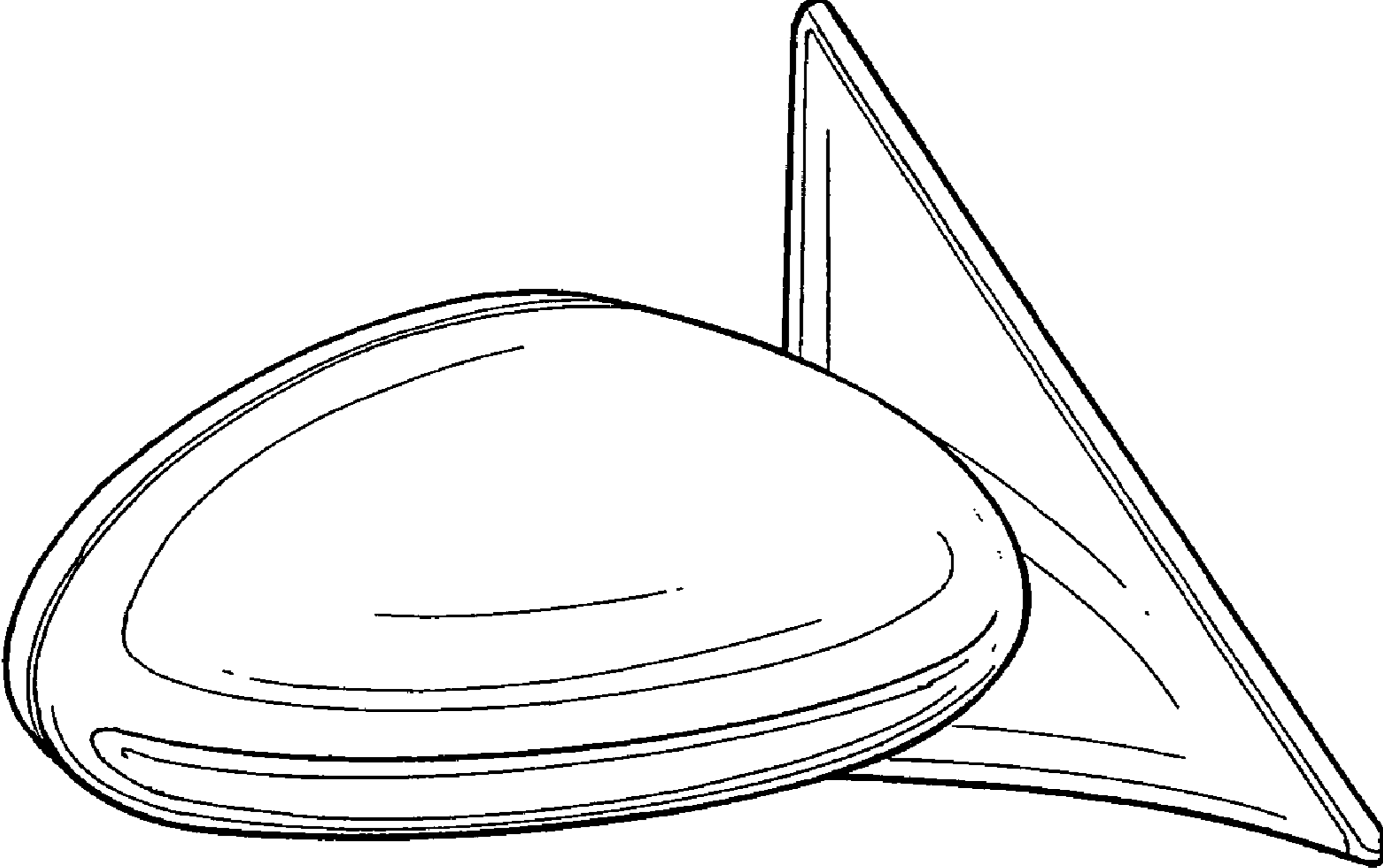


FIG. 8

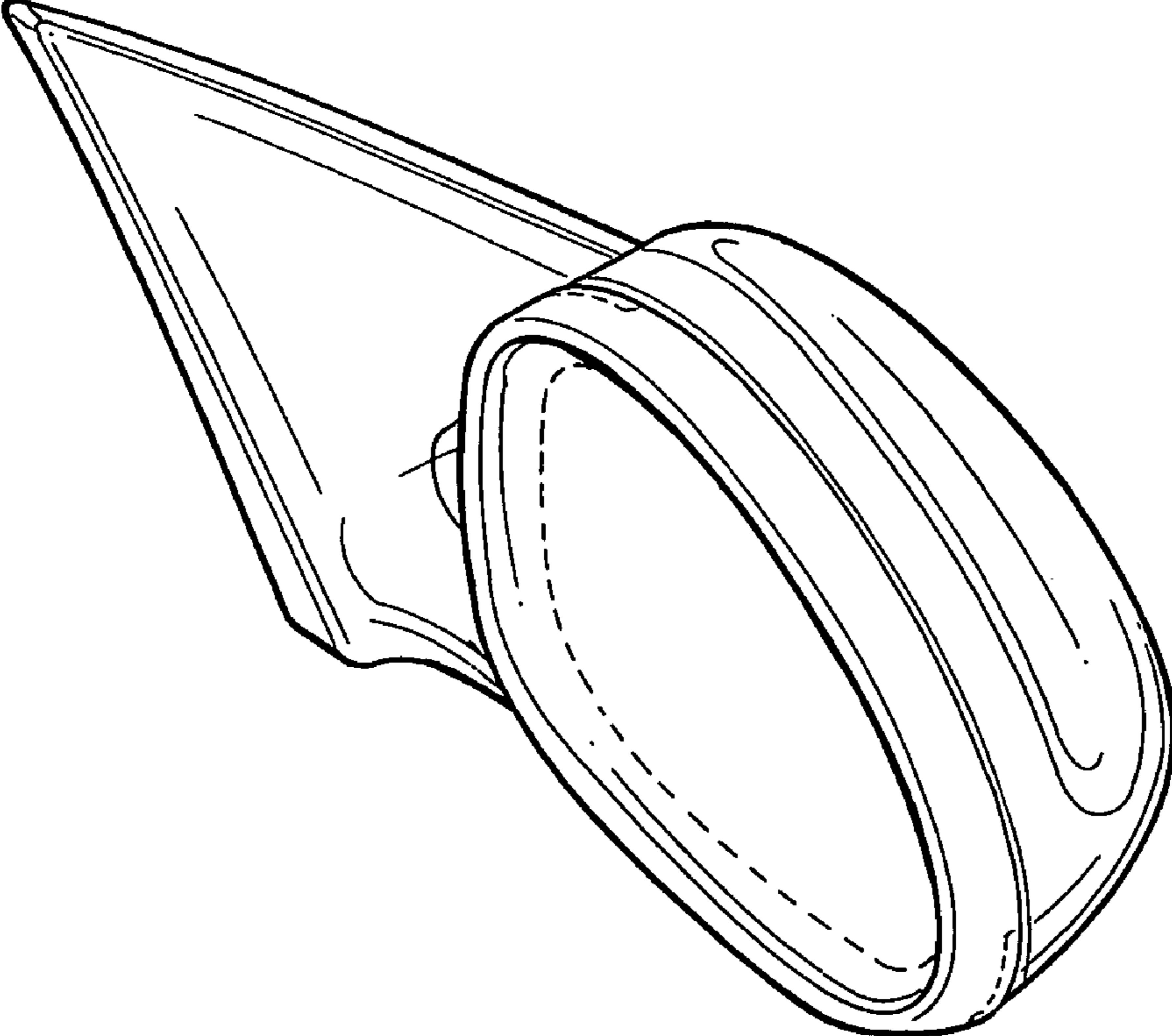


FIG. 9

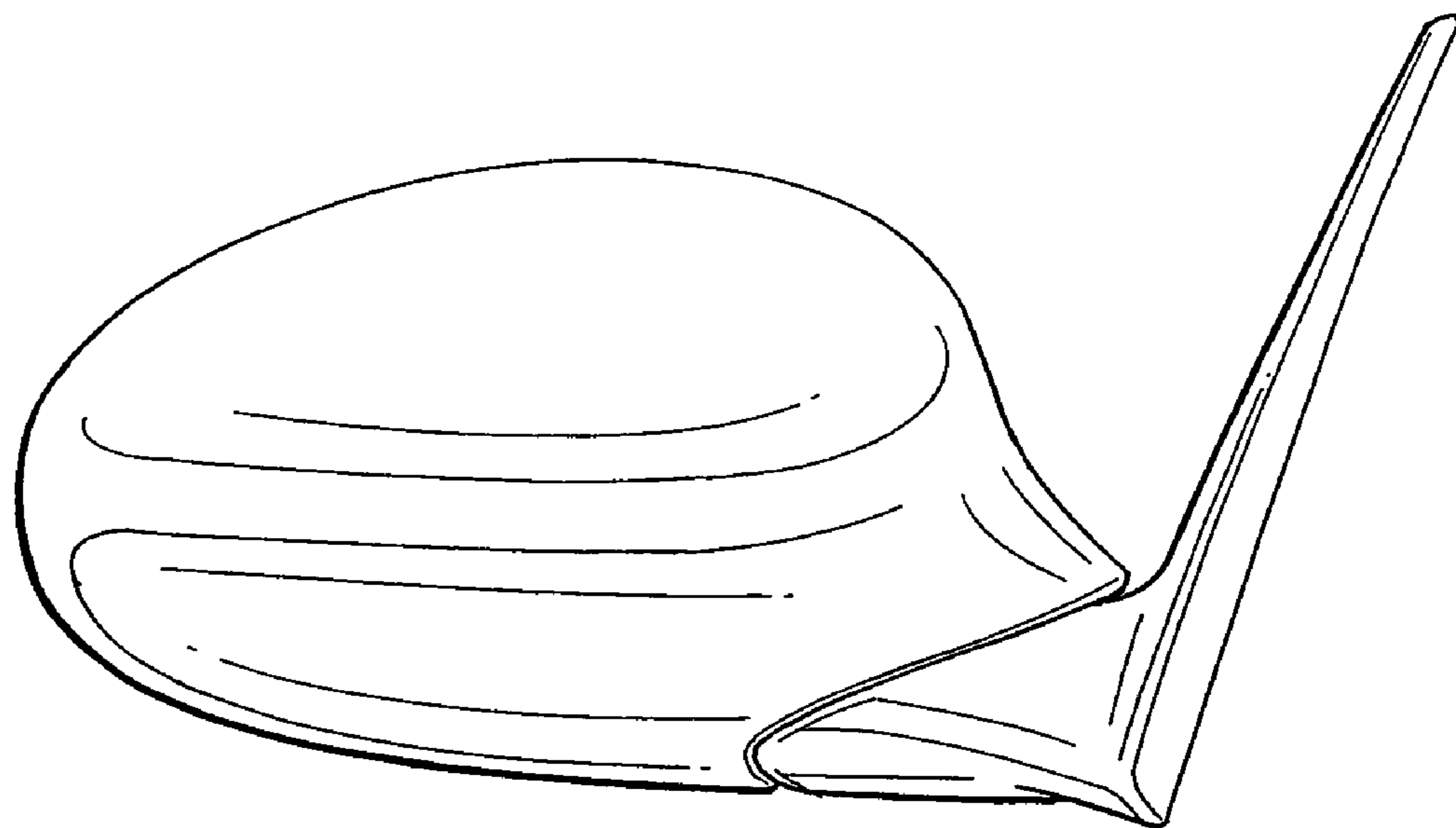


FIG. 10

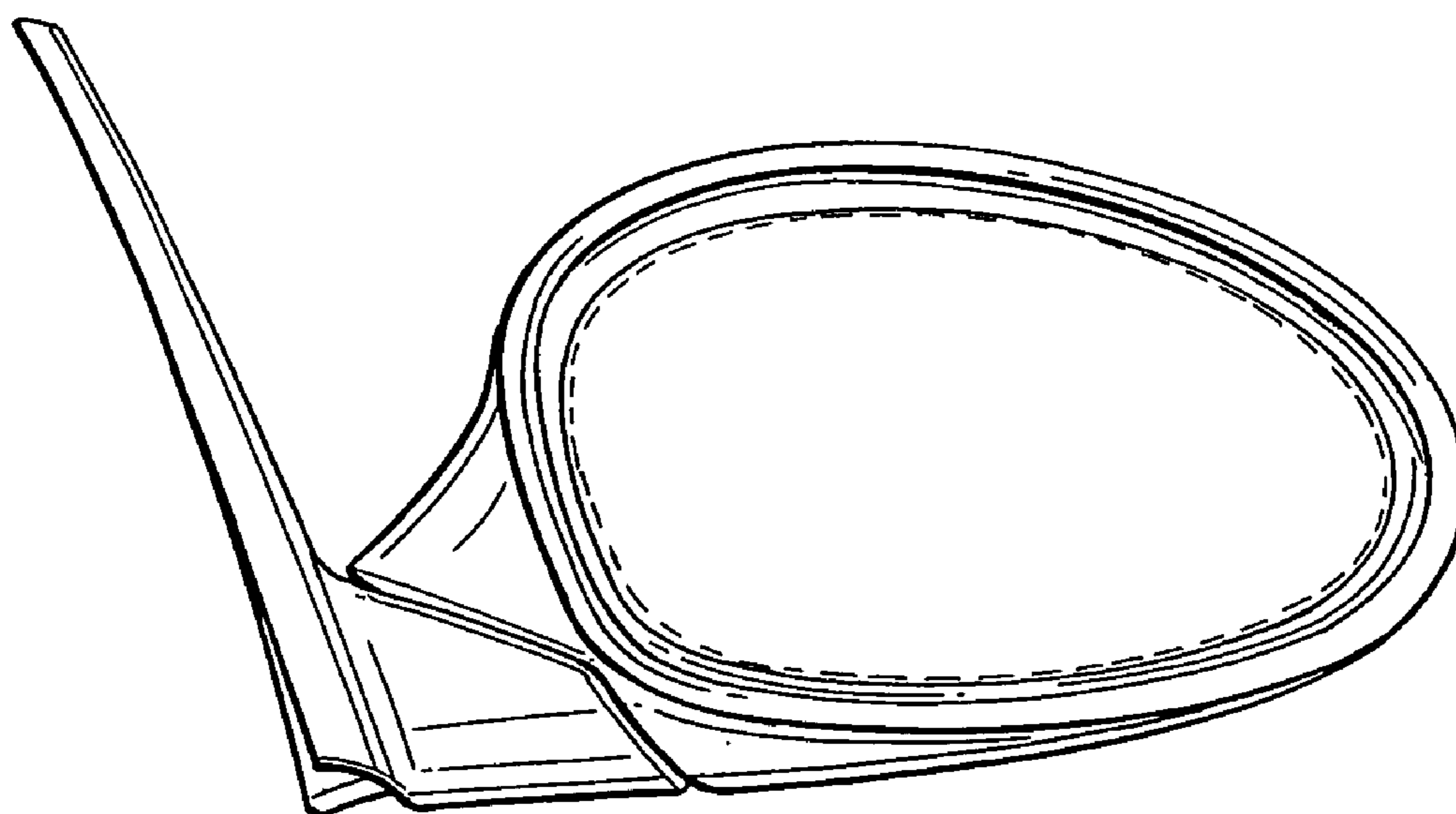


FIG. 11

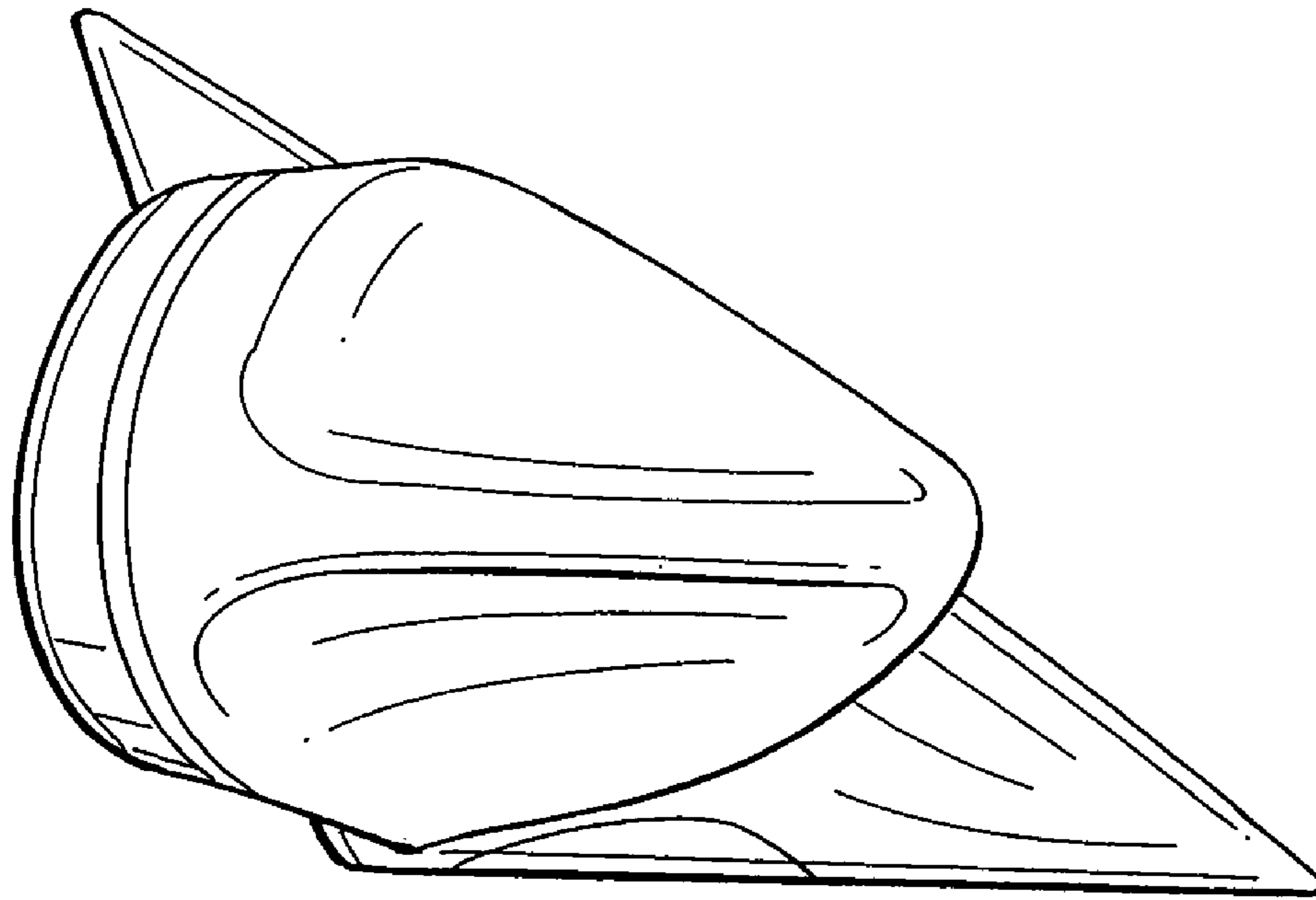


FIG. 12

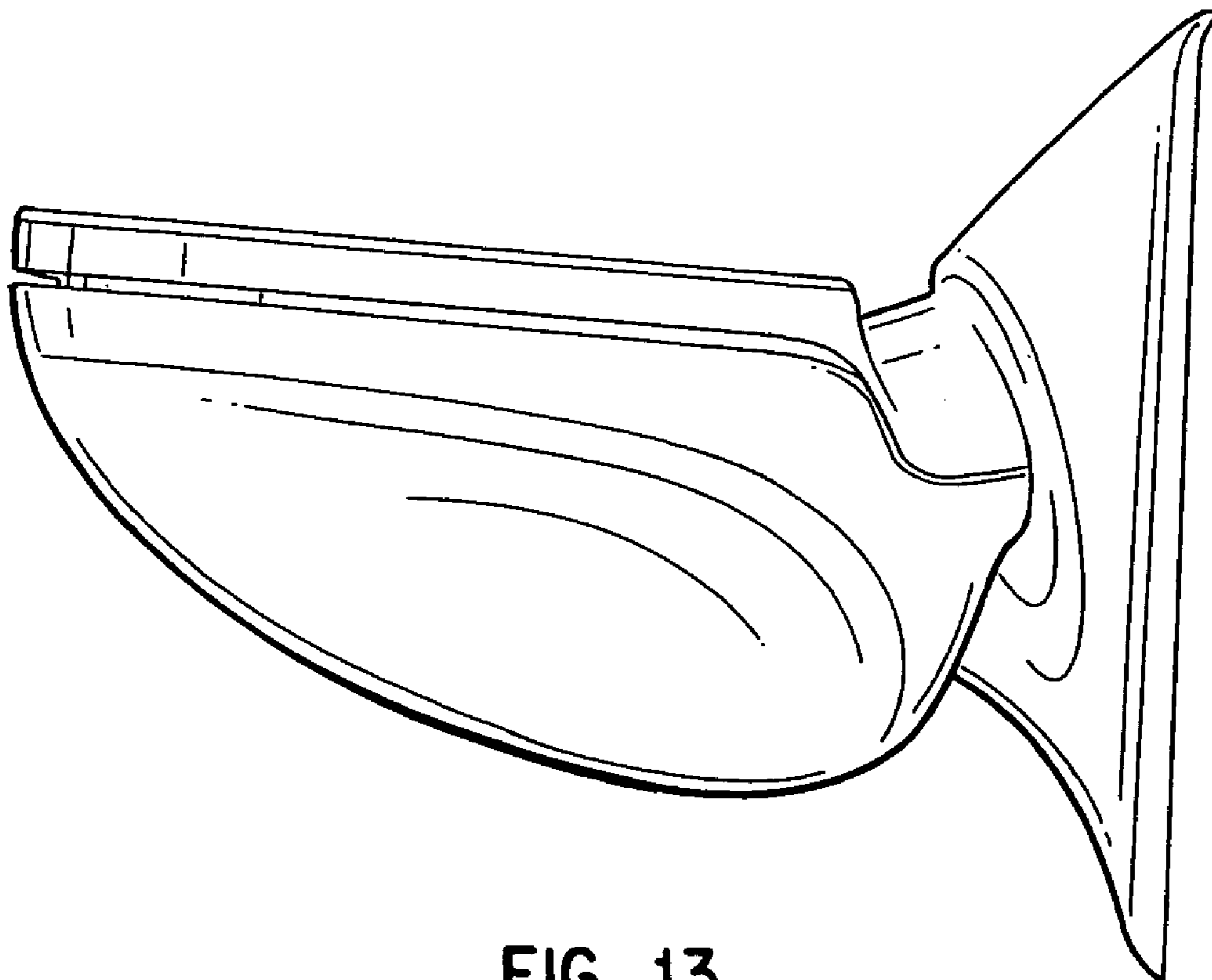


FIG. 13

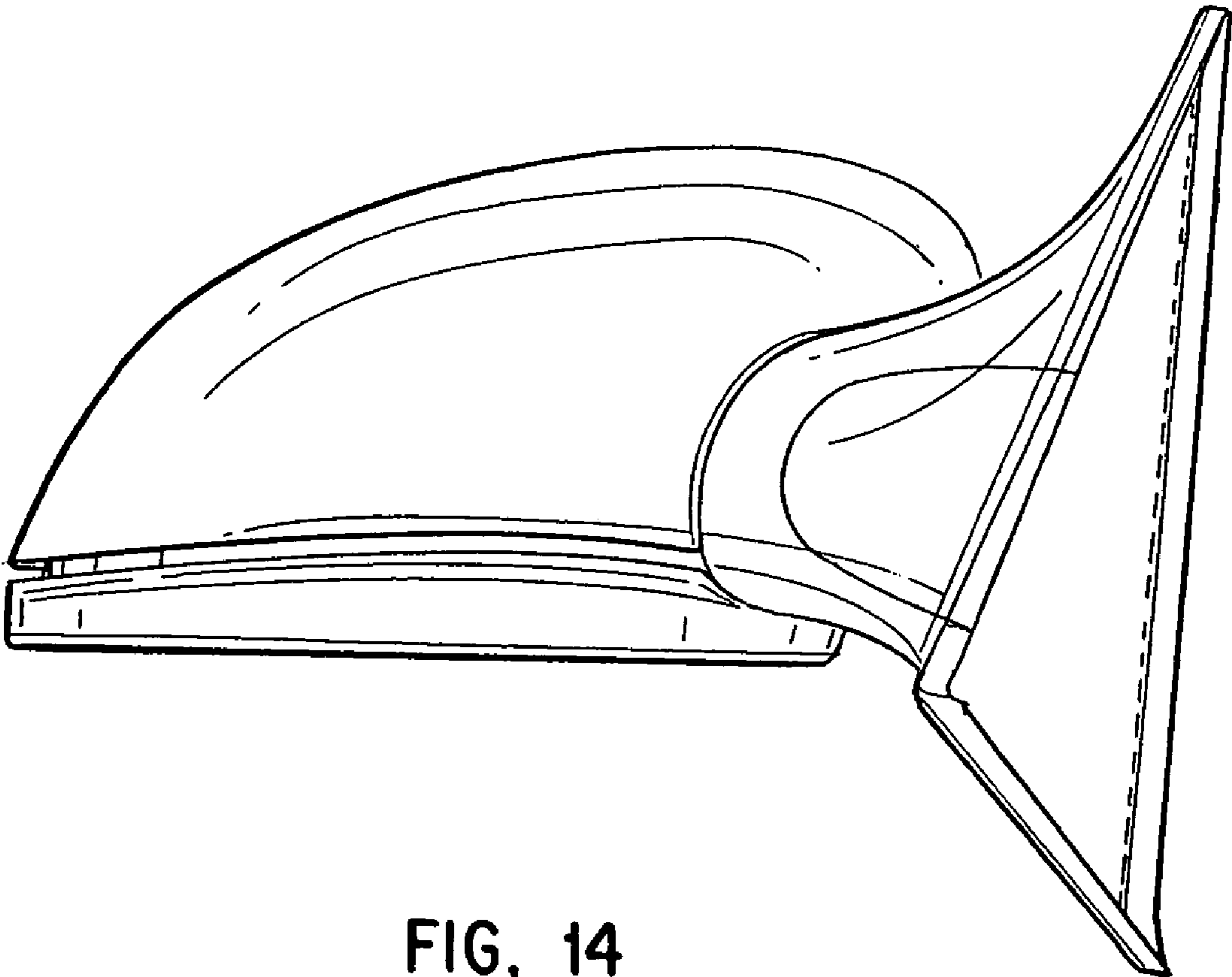


FIG. 14