



US00D568211S

(12) **United States Design Patent**
Vardis et al.

(10) **Patent No.:** **US D568,211 S**
(45) **Date of Patent:** **** May 6, 2008**

(54) **AUTOMOBILE BODY**

(75) Inventors: **Nicholas Vardis**, Sylvania Lake, MI (US); **Donald A. Renkert**, Royal Oak, MI (US); **John P. Sgalia**, Farmington Hills, MI (US)

(73) Assignee: **Chrysler LLC**, Auburn Hills, MI (US)

(**) Term: **14 Years**

(21) Appl. No.: **29/283,148**

(22) Filed: **Aug. 7, 2007**

Related U.S. Application Data

(63) Continuation of application No. 29/250,614, filed on Nov. 22, 2006, now Pat. No. Des. 554,564.

(51) **LOC (8) Cl.** **12-08**

(52) **U.S. Cl.** **D12/91**

(58) **Field of Classification Search** D12/90-92, D12/86, 88; D21/424, 433; 296/181.1, 181.5
See application file for complete search history.

(56) **References Cited**

U.S. PATENT DOCUMENTS

- D350,504 S 9/1994 Nixon
- D391,520 S 3/1998 Laster
- D401,186 S 11/1998 Abbott et al.
- D408,329 S 4/1999 Anness et al.
- D416,519 S 11/1999 Won et al.
- D420,939 S * 2/2000 Faurote et al. D12/91

- D424,992 S * 5/2000 Faurote D12/163
- D454,813 S * 3/2002 Boniface et al. D12/91
- D476,268 S * 6/2003 Castiglione et al. D12/91
- D495,275 S * 8/2004 Castiglione et al. D12/86
- D497,572 S * 10/2004 Widmann et al. D12/91
- D510,056 S * 9/2005 Hall et al. D12/92
- D519,066 S * 4/2006 Ney et al. D12/163
- D534,097 S * 12/2006 Renkert et al. D12/91
- D554,564 S 11/2007 Vardis et al.

* cited by examiner

Primary Examiner—Melody N. Brown

(74) *Attorney, Agent, or Firm*—Ralph E. Smith

(57) **CLAIM**

The ornamental design for an automobile body, as shown and described.

DESCRIPTION

FIG. 1 is a front perspective view of an automobile body showing our new design;

FIG. 2 is a side view thereof;

FIG. 3 is a front view thereof;

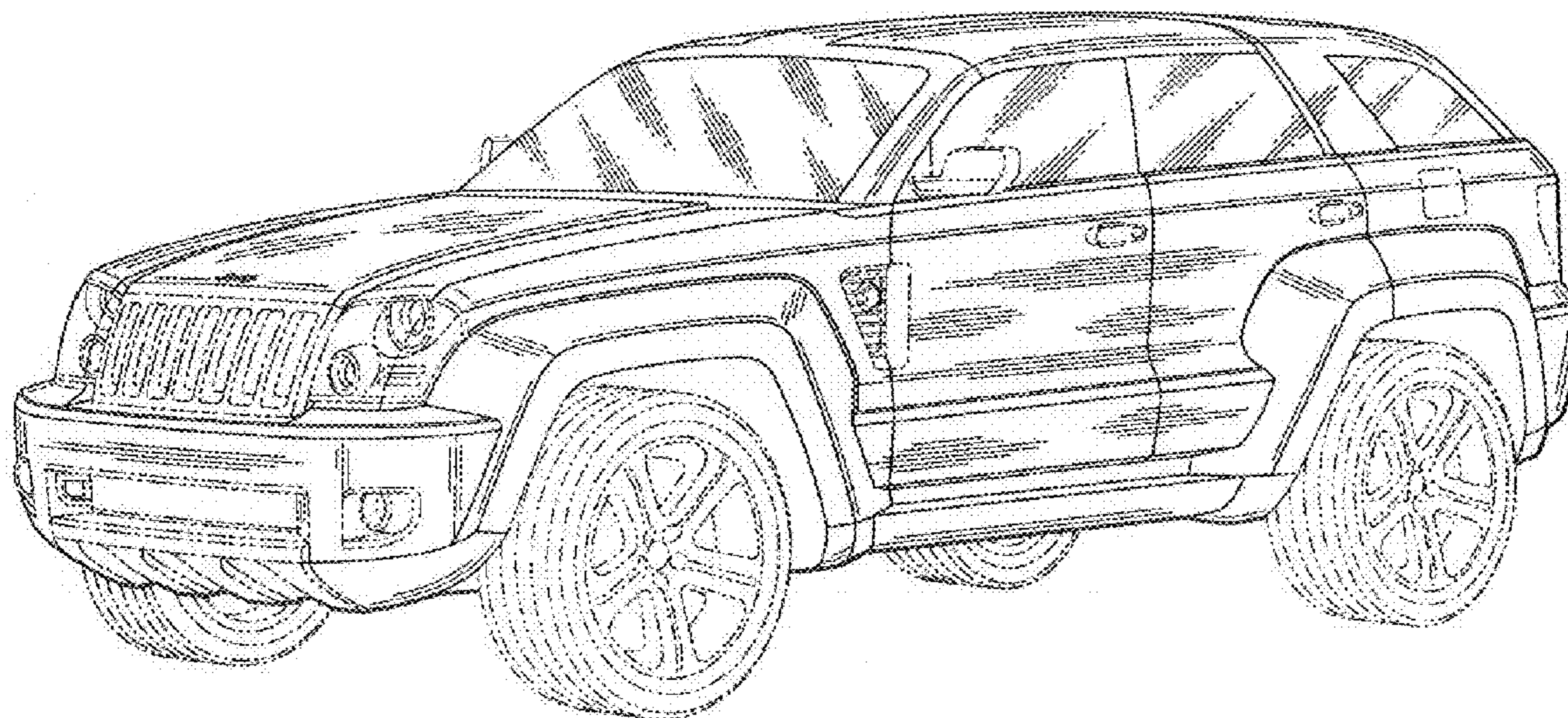
FIG. 4 is a rear view thereof;

FIG. 5 is a rear perspective view thereof; and,

FIG. 6 is a top plan view thereof.

It will be understood that the broken lines presented in the drawings are for illustration only, and do not form a part of the claimed design.

1 Claim, 5 Drawing Sheets



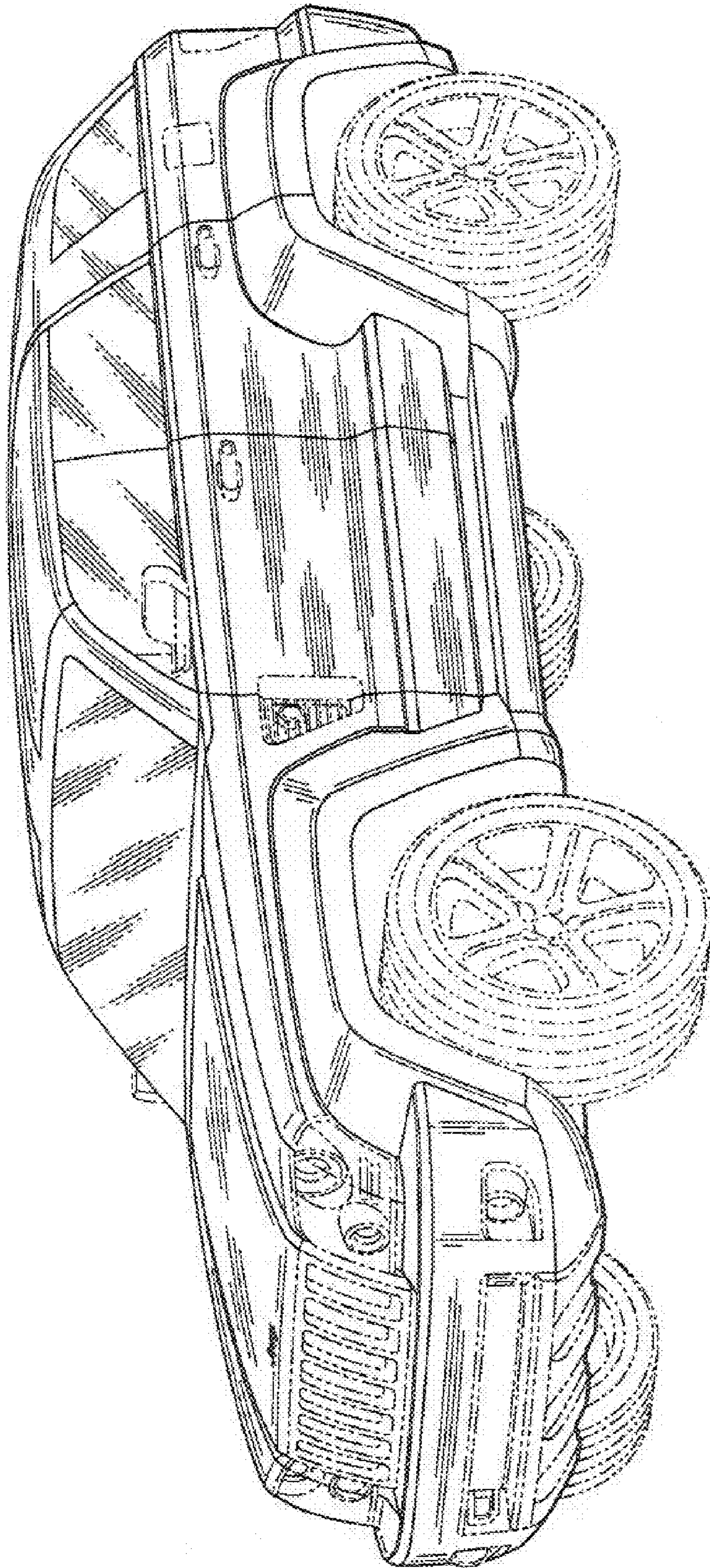


Fig. 1

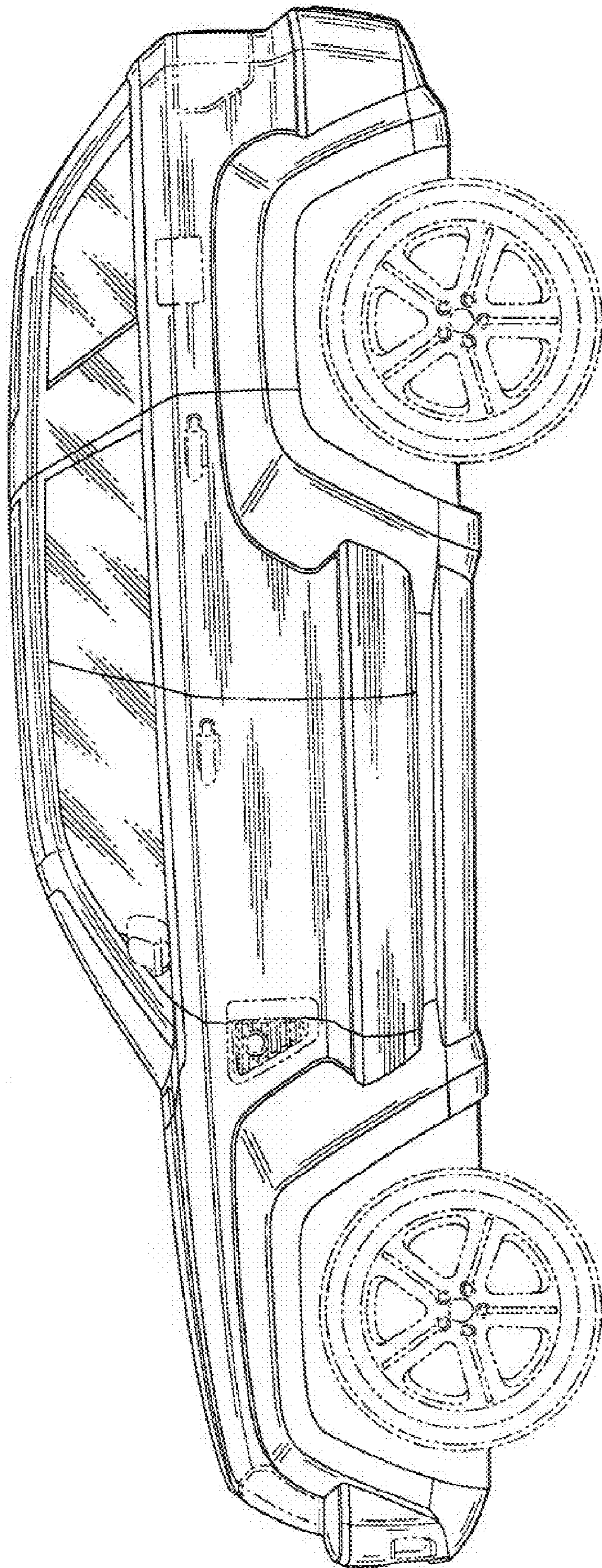


Fig. 2

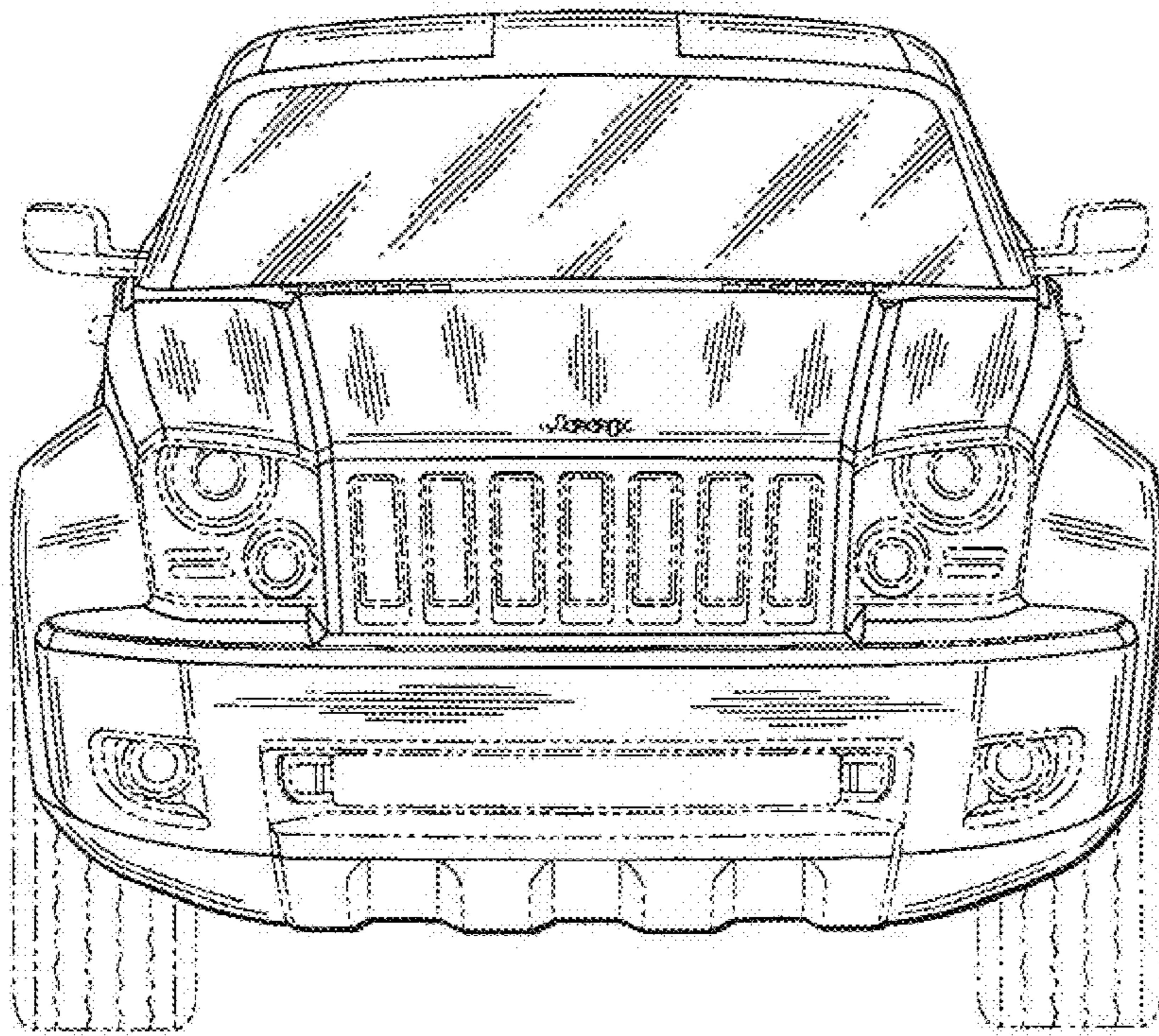


Fig. 3

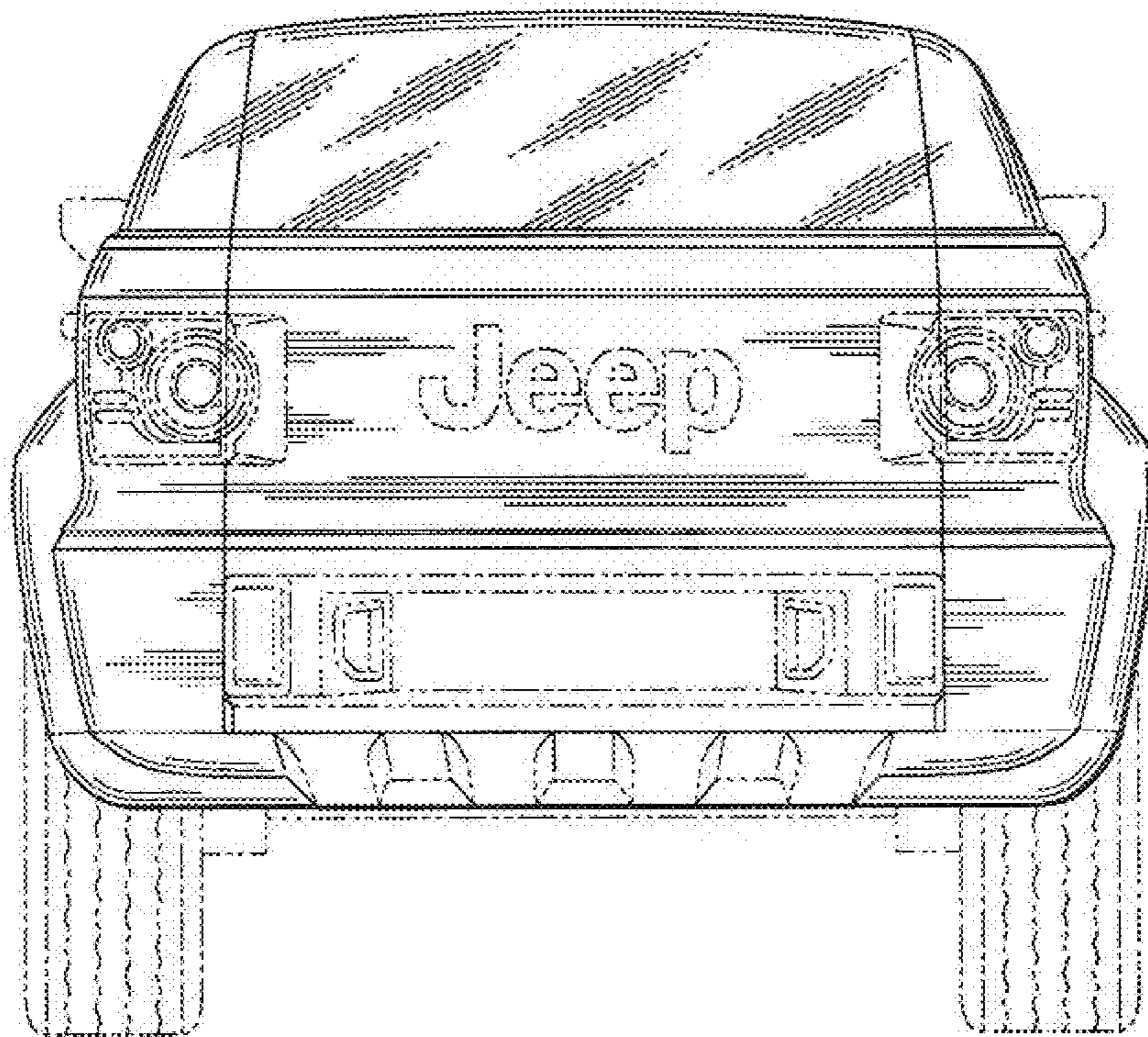


Fig. 4

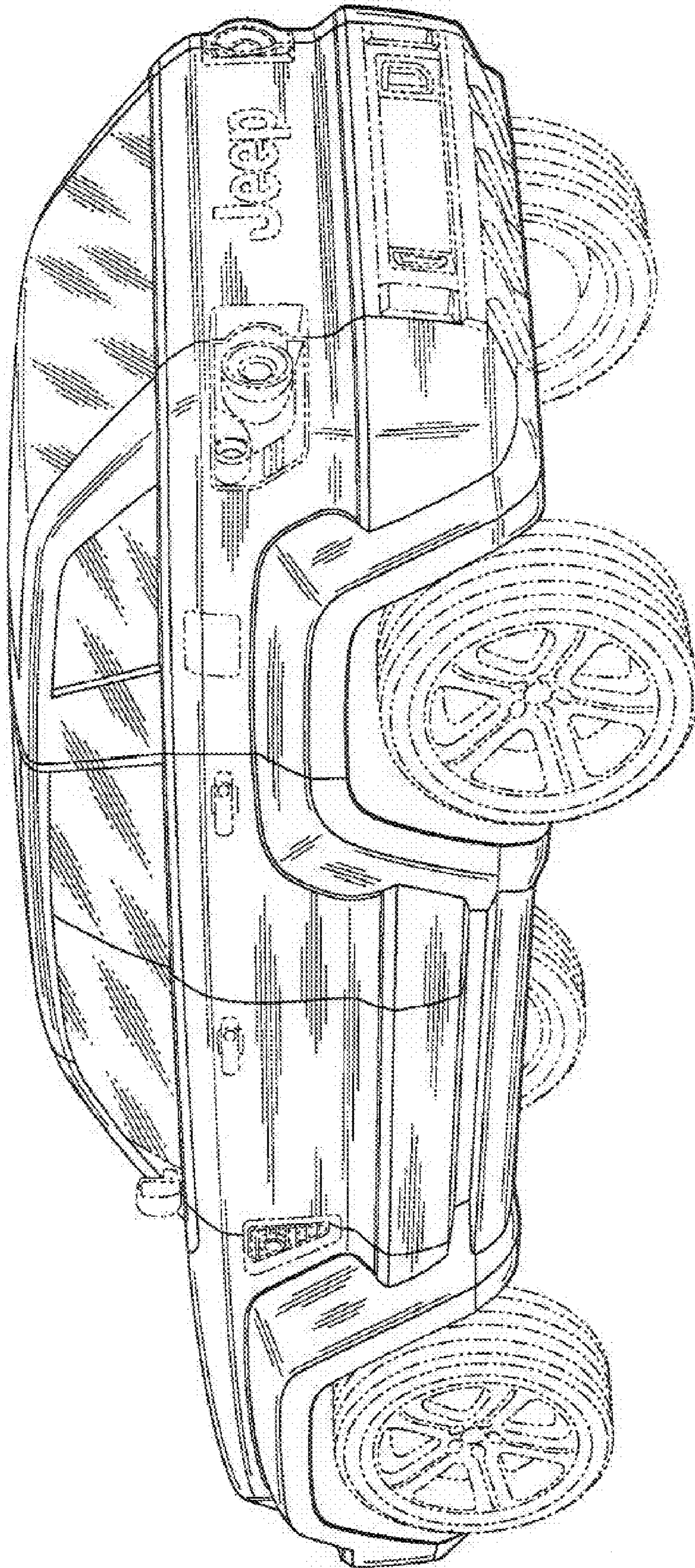


Fig. 5

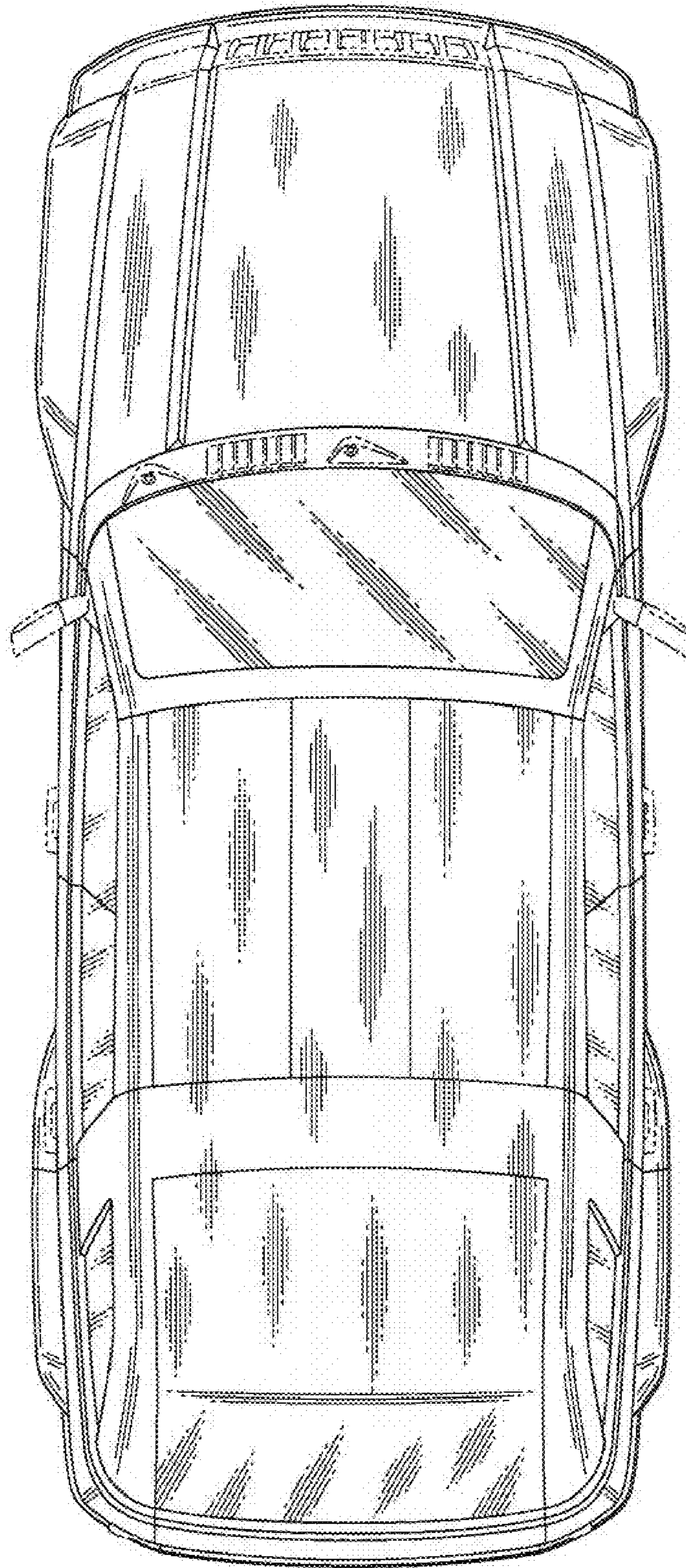


Fig. 6