

US00D568209S

(12) **United States Design Patent**
Della Valle

(10) **Patent No.:** **US D568,209 S**

(45) **Date of Patent:** **** May 6, 2008**

(54) **BUCKLE**

D277,052 S * 1/1985 Baron D11/231
D301,702 S * 6/1989 Peterson D11/230
D474,713 S * 5/2003 Eddy D11/201

(75) Inventor: **Diego Della Valle**, Sant'Elpidio a Mare (IT)

(73) Assignee: **Gousson-Consultadoria E Marketing LDA**, Funchal-Madeira (PT)

* cited by examiner

Primary Examiner—Catherine R Oliver

(**) Term: **14 Years**

(74) *Attorney, Agent, or Firm*—Knobbe Martens Olson & Bear LLP

(21) Appl. No.: **29/284,259**

(57) **CLAIM**

(22) Filed: **Sep. 4, 2007**

The ornamental design for a buckle, as shown and described.

(30) **Foreign Application Priority Data**

Mar. 5, 2007 (EM) 000682588

DESCRIPTION

(51) **LOC (8) Cl.** **02-07**

FIG. 1 is a left side view of a buckle of the new design.

(52) **U.S. Cl.** **D11/231**

FIG. 2 is a front view of the design of FIG. 1.

(58) **Field of Classification Search** D11/200–234;
D2/625–631; 24/1, 163 R, 163 K, 176, 171,
24/307, 625, 616, 709, 200, 112, 196, 169

FIG. 3 is a rear view of the design of FIG. 1.

See application file for complete search history.

FIG. 4 is a top view of the design of FIG. 1.

FIG. 5 is a bottom view of the design of FIG. 1.

(56) **References Cited**

FIG. 6 is a right view of the design of FIG. 1; and,

FIG. 7 is a perspective view of the design of FIG. 1.

U.S. PATENT DOCUMENTS

D93,518 S * 10/1934 Putnam D11/236

1 Claim, 7 Drawing Sheets



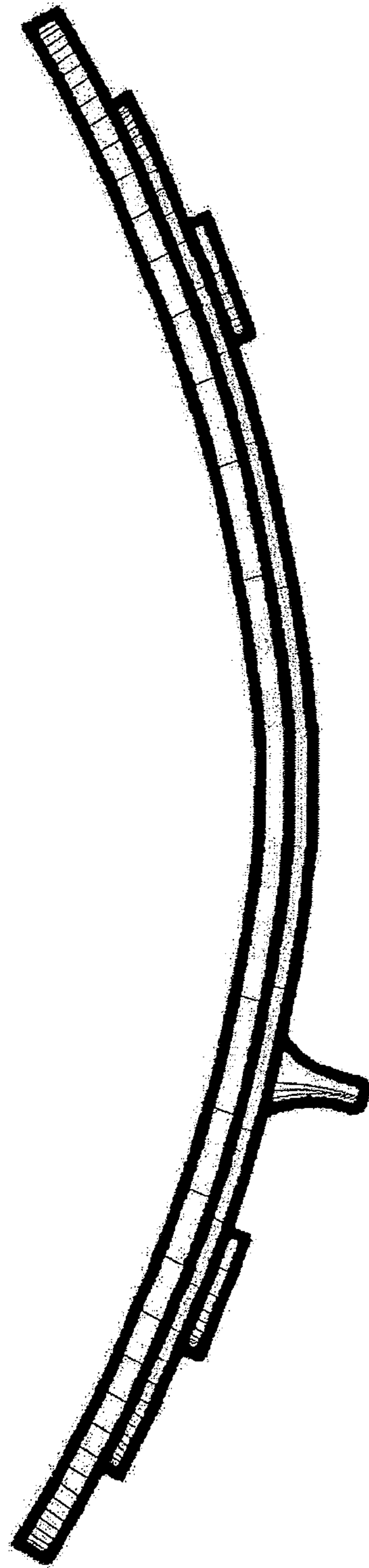


FIG.1

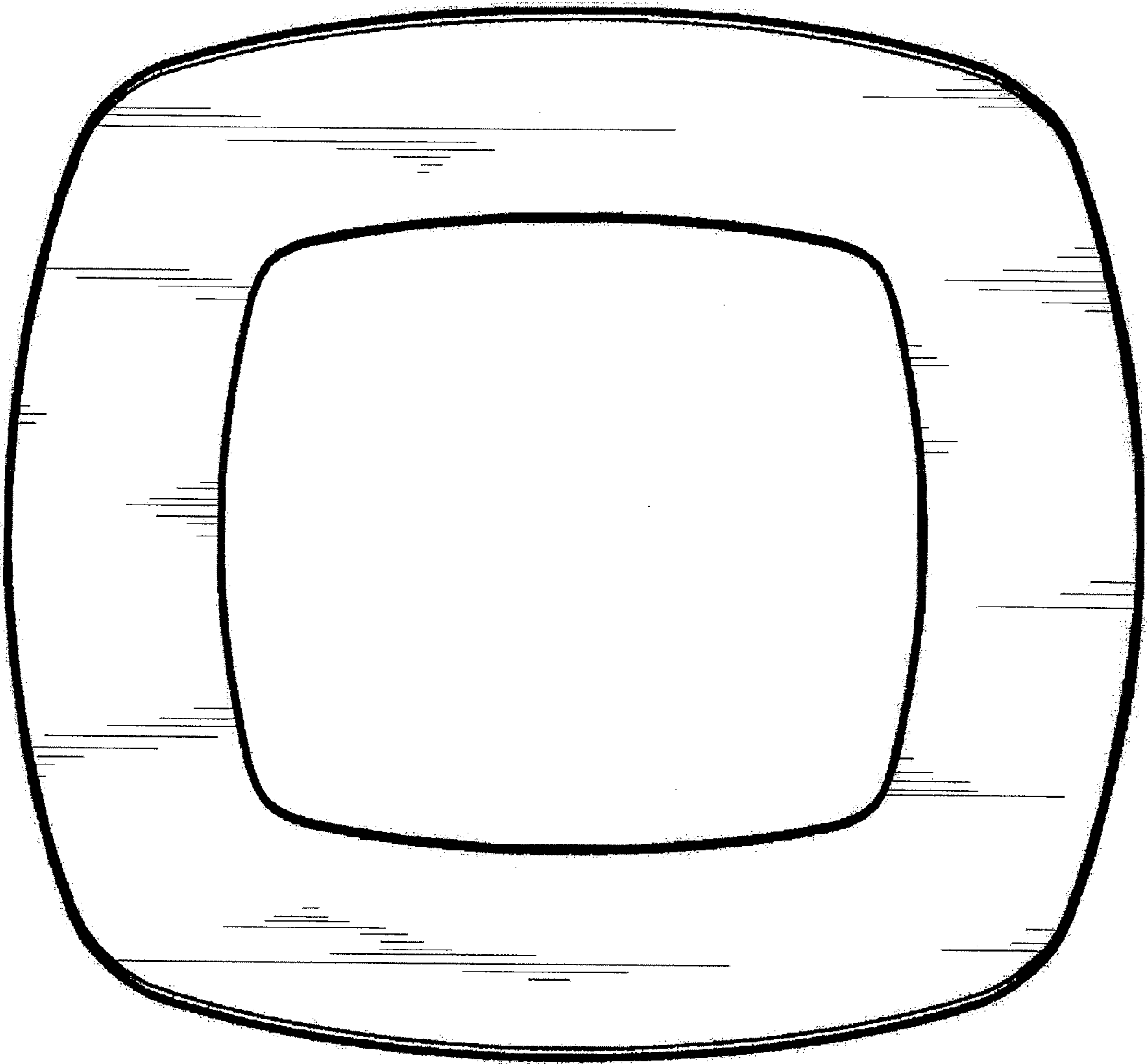


FIG.2

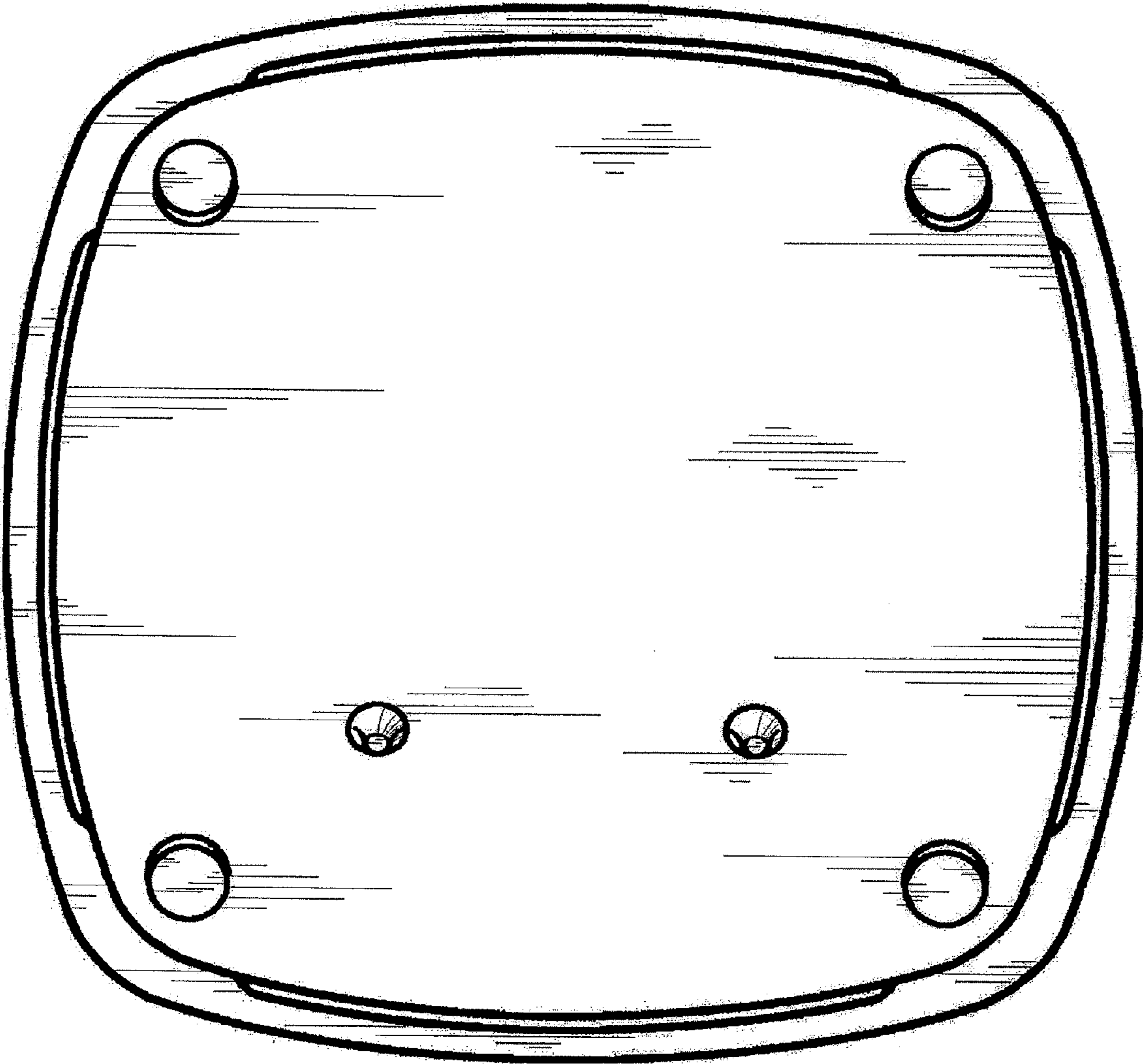


FIG.3



FIG.4

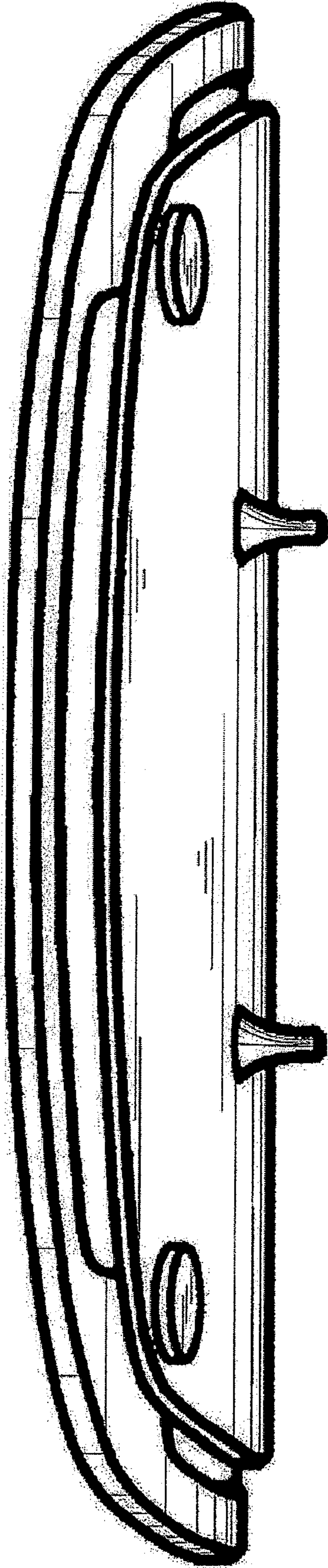


FIG.5

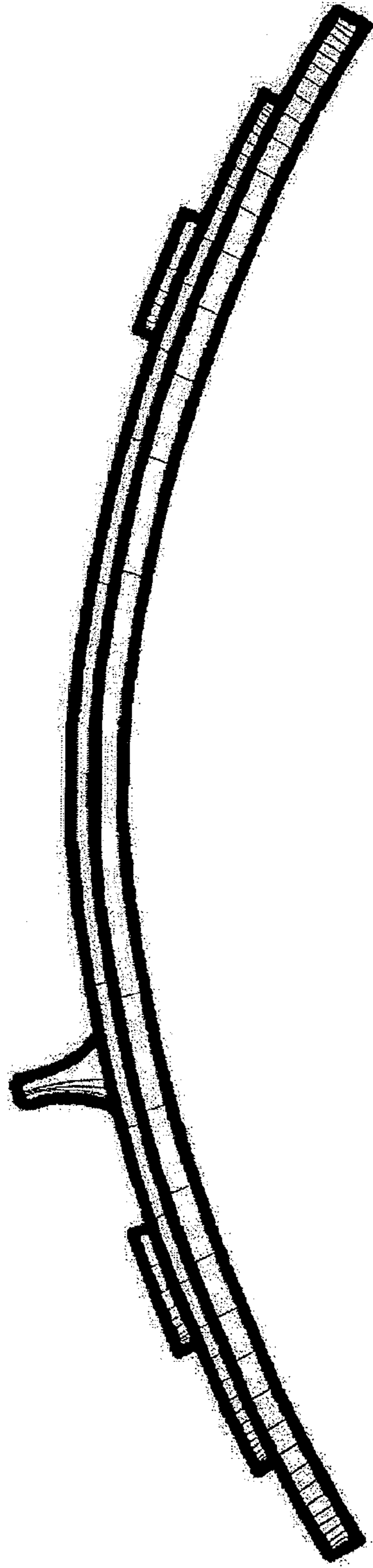


FIG.6

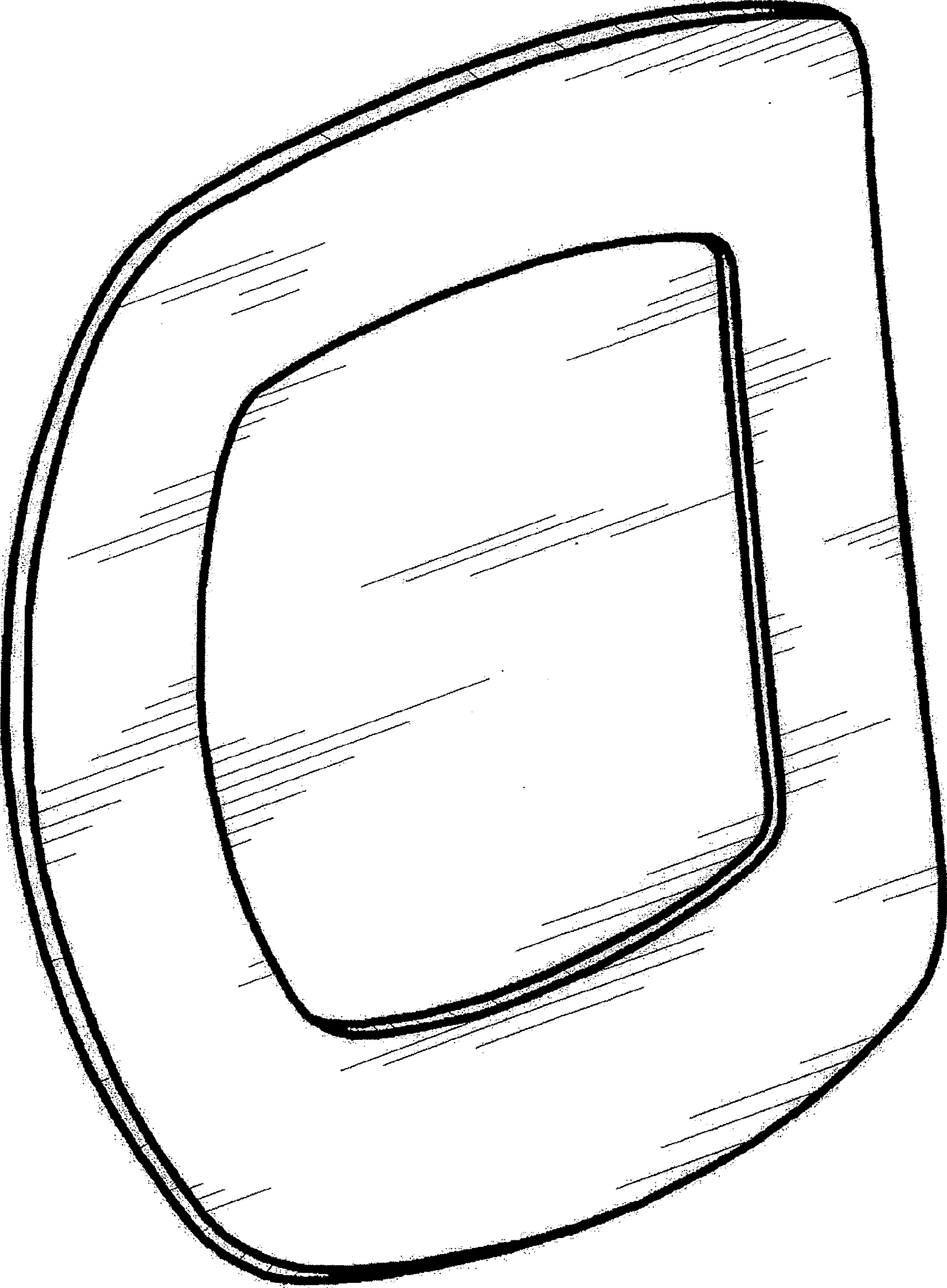


FIG.7