

US00D568208S

(12) **United States Design Patent** (10) **Patent No.:** **US D568,208 S**  
**Edöcs** (45) **Date of Patent:** **\*\* May 6, 2008**

(54) **CUFF LINK**

(57) **CLAIM**

(75) Inventor: **Janos Edöcs**, Magglingen (CH)

The ornamental design for a cuff link, as shown and described.

(73) Assignee: **Milus International SA**, Biel/Benne (CH)

(\*\*) Term: **14 Years**

**DESCRIPTION**

(21) Appl. No.: **29/284,948**

FIG. 1 is a front view of a cuff link incorporating my new design.

(22) Filed: **Sep. 18, 2007**

FIG. 2 is a front view with frontal portion piece rotated to a second position.

**Related U.S. Application Data**

FIG. 3 is a front view with frontal portion piece rotated to a third position.

(63) Continuation of application No. 29/239,363, filed on Sep. 29, 2005, now Pat. No. Des. 551,117.

FIG. 4 is a front view with frontal portion piece rotated to a fourth position.

(51) **LOC (8) Cl.** ..... **02-07**

FIG. 5 is a rear view.

(52) **U.S. Cl.** ..... **D11/222**

FIG. 6 is a rear view with link pin rotated to a second position.

(58) **Field of Classification Search** ..... D11/222, D11/200, 213–216, 226–228; 24/41–47  
See application file for complete search history.

FIG. 7 is a top plan view.

(56) **References Cited**

FIG. 8 is a bottom plan view.

**U.S. PATENT DOCUMENTS**

FIG. 9 is a bottom plan view with link pin in said second position.

D397,064 S \* 8/1998 Nelson ..... D11/222

FIG. 10 is a left side elevational view.

D415,068 S \* 10/1999 Calvani ..... D11/222

FIG. 11 is a right side elevational view; and,

D446,751 S \* 8/2001 Xidakou ..... D11/222

FIG. 12 is a perspective view.

D449,564 S \* 10/2001 Platt ..... D11/222

The broken line showing on portions of FIGS. 1–12 is for illustrative purposes only and forms no part of the claimed design.

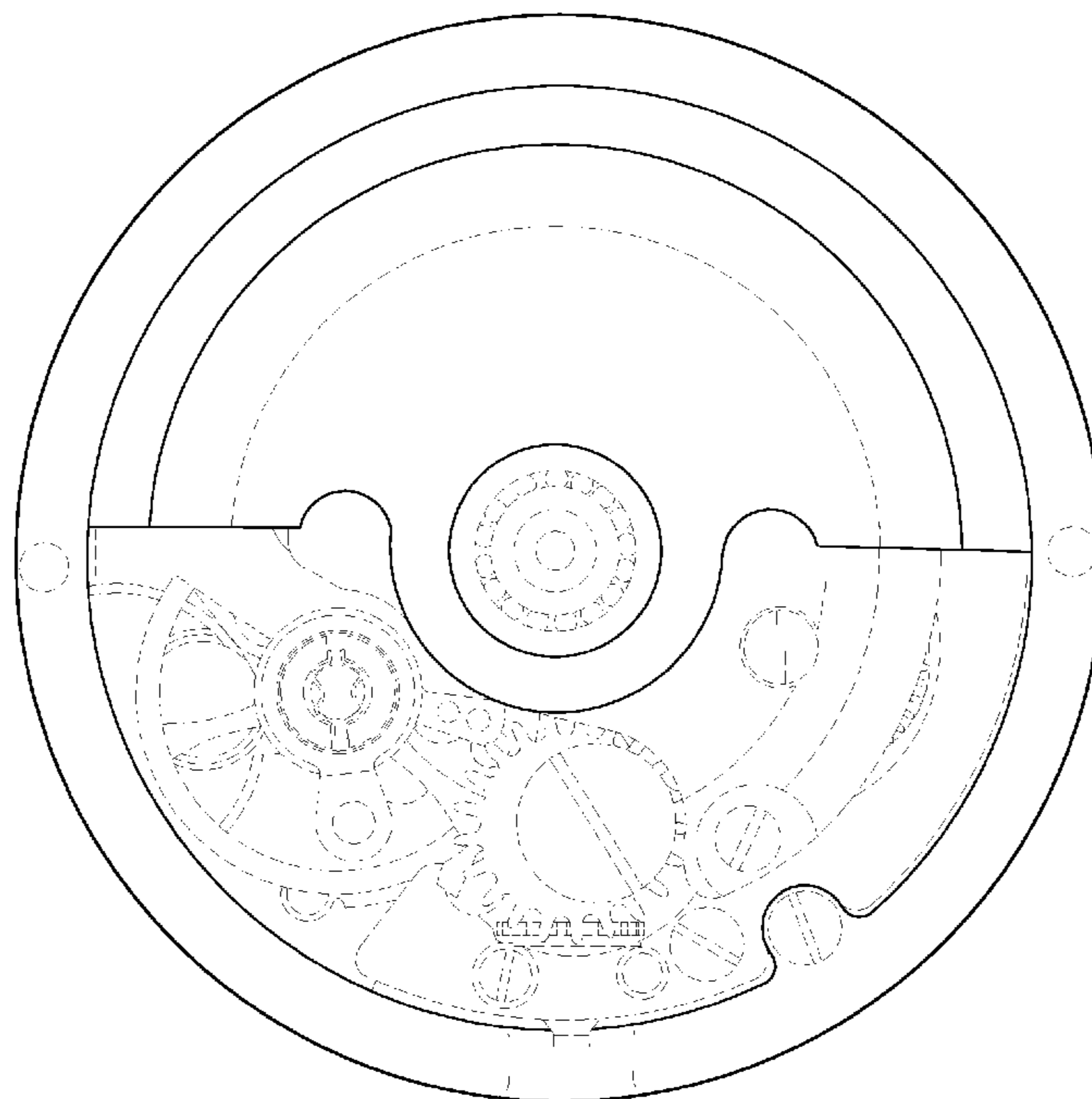
D508,432 S \* 8/2005 Cogoli et al. .... D11/222

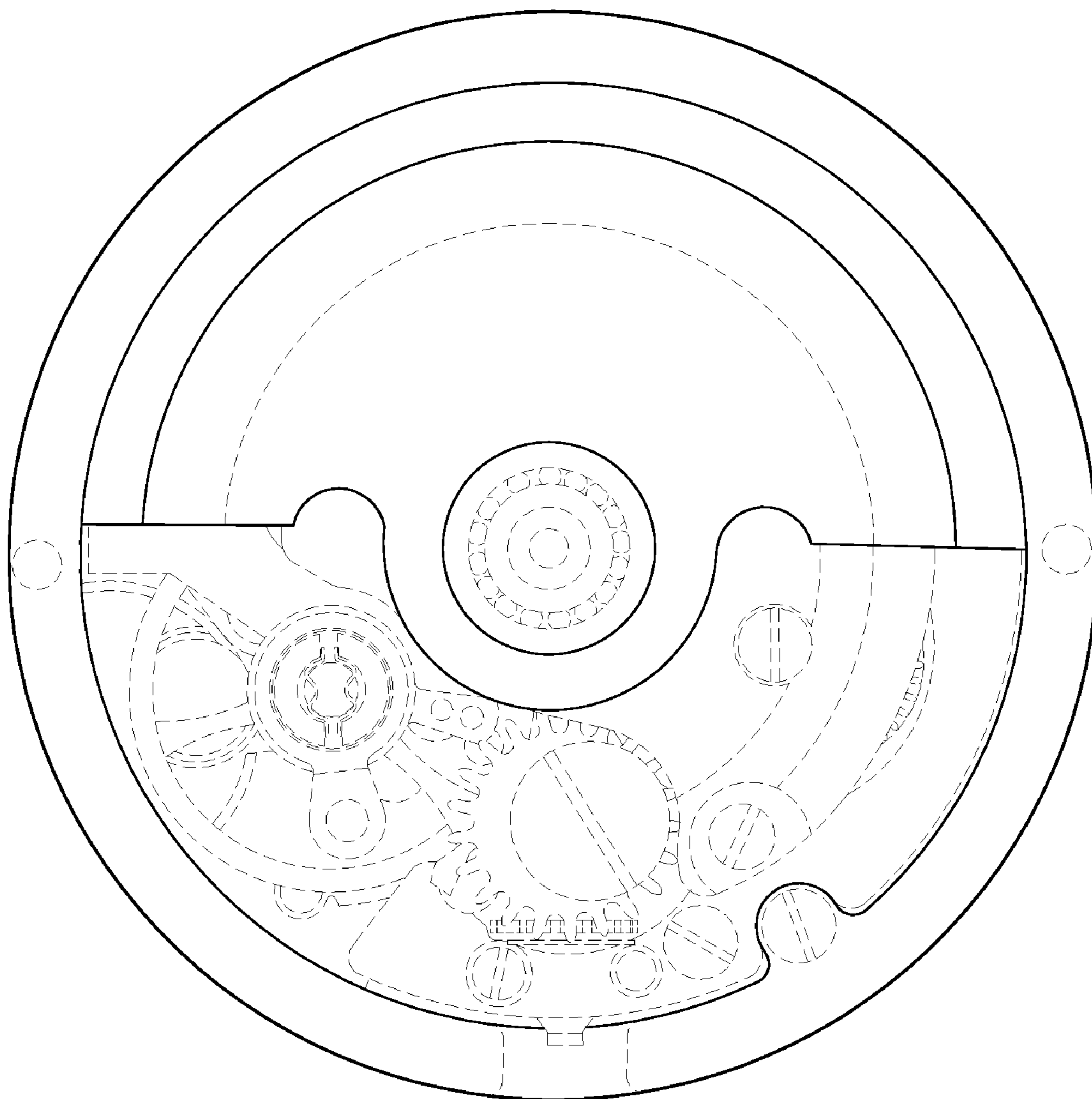
\* cited by examiner

*Primary Examiner*—Catherine R Oliver

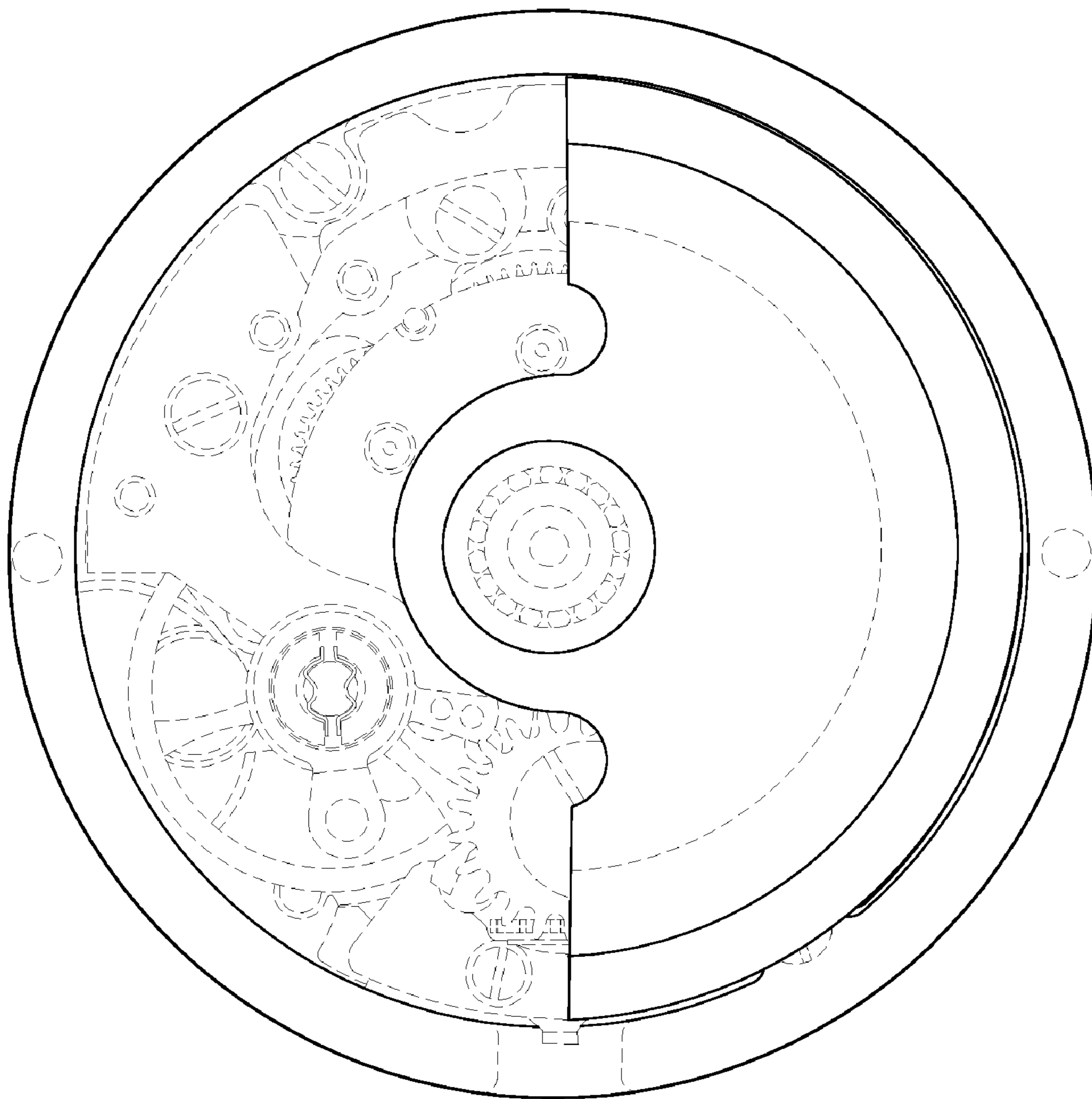
**1 Claim, 12 Drawing Sheets**

(74) *Attorney, Agent, or Firm*—Woodard Emhardt Moriarty  
McNett & Henry LLP

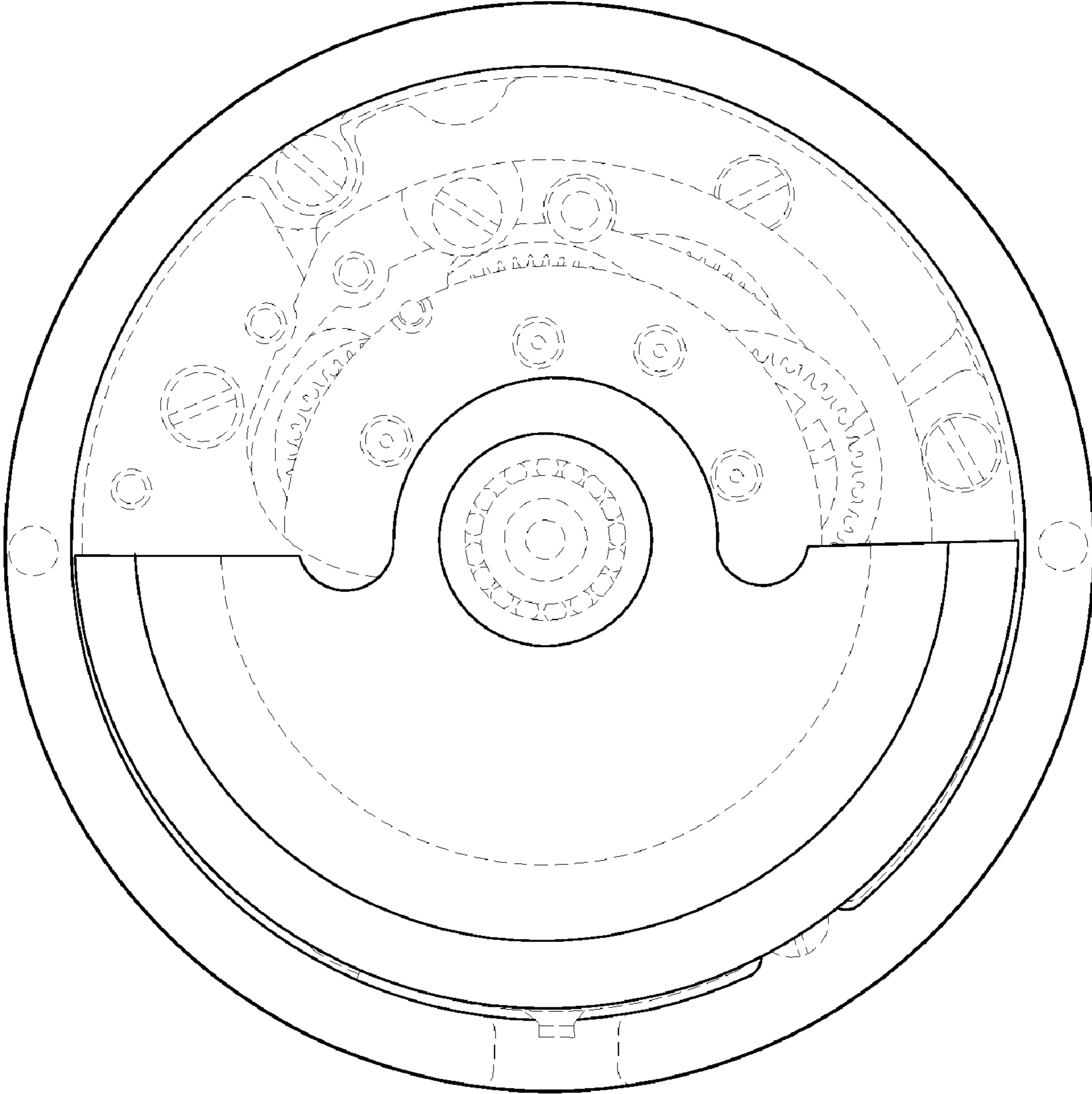




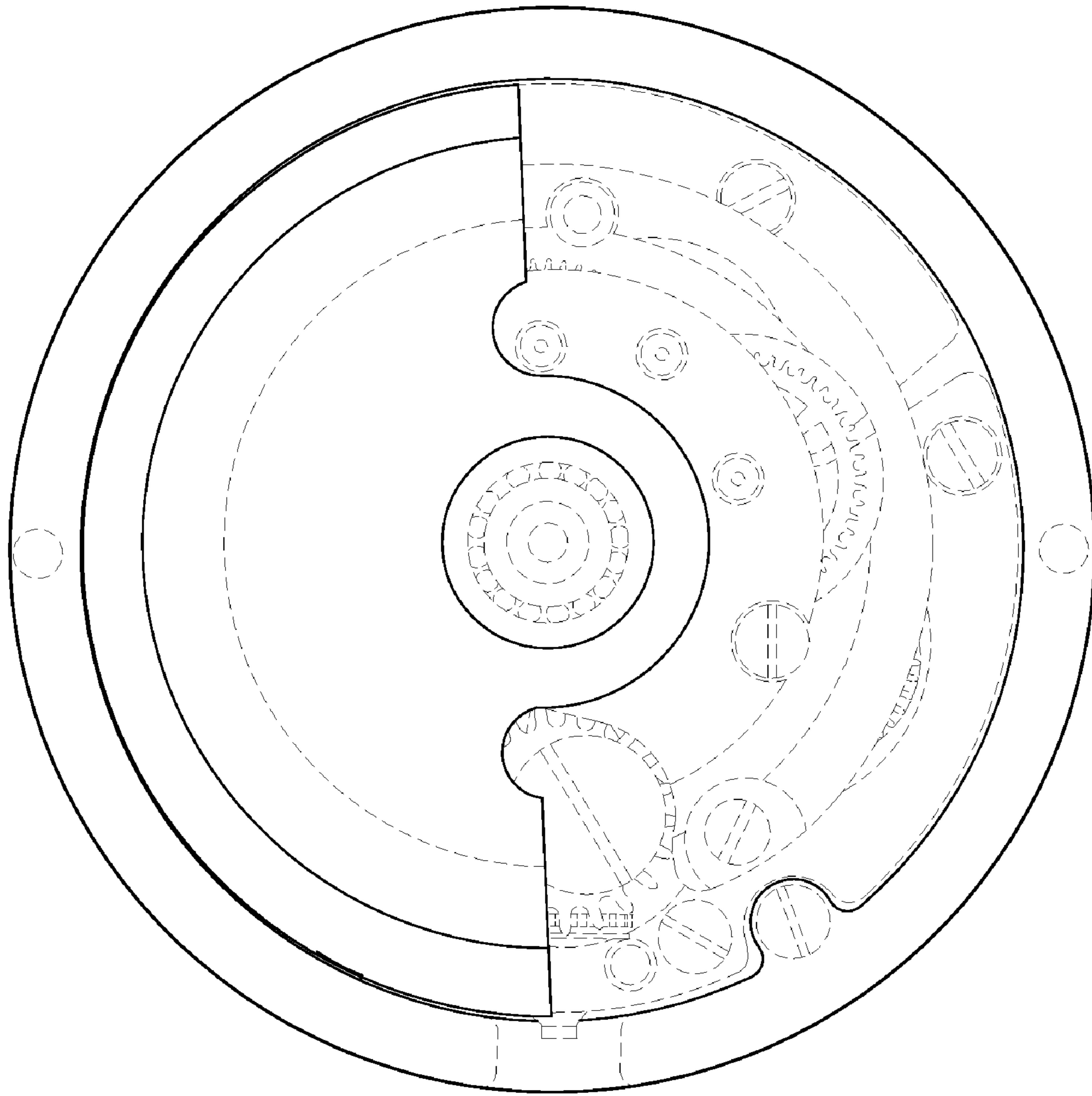
**Fig. 1**



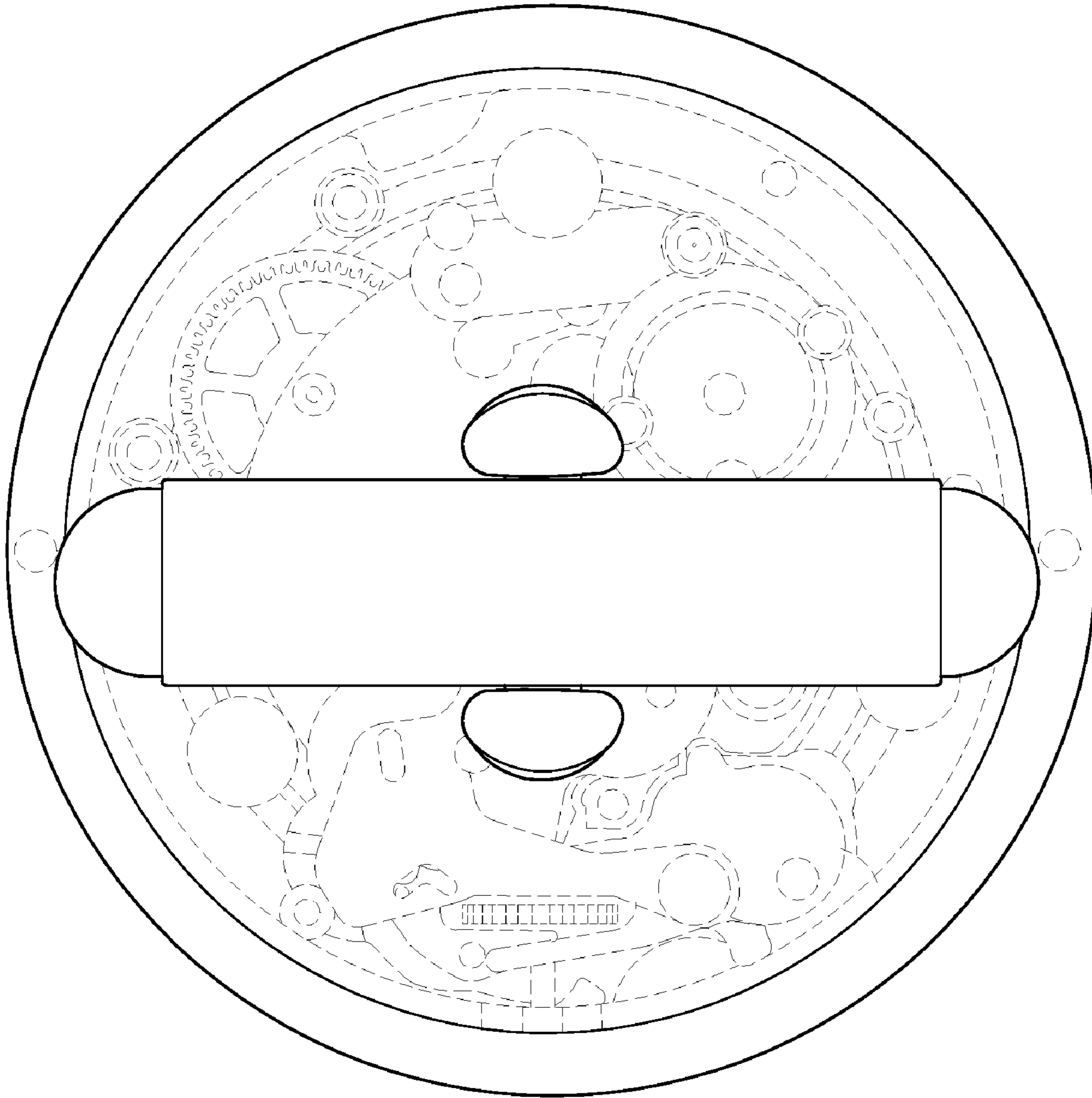
**Fig. 2**



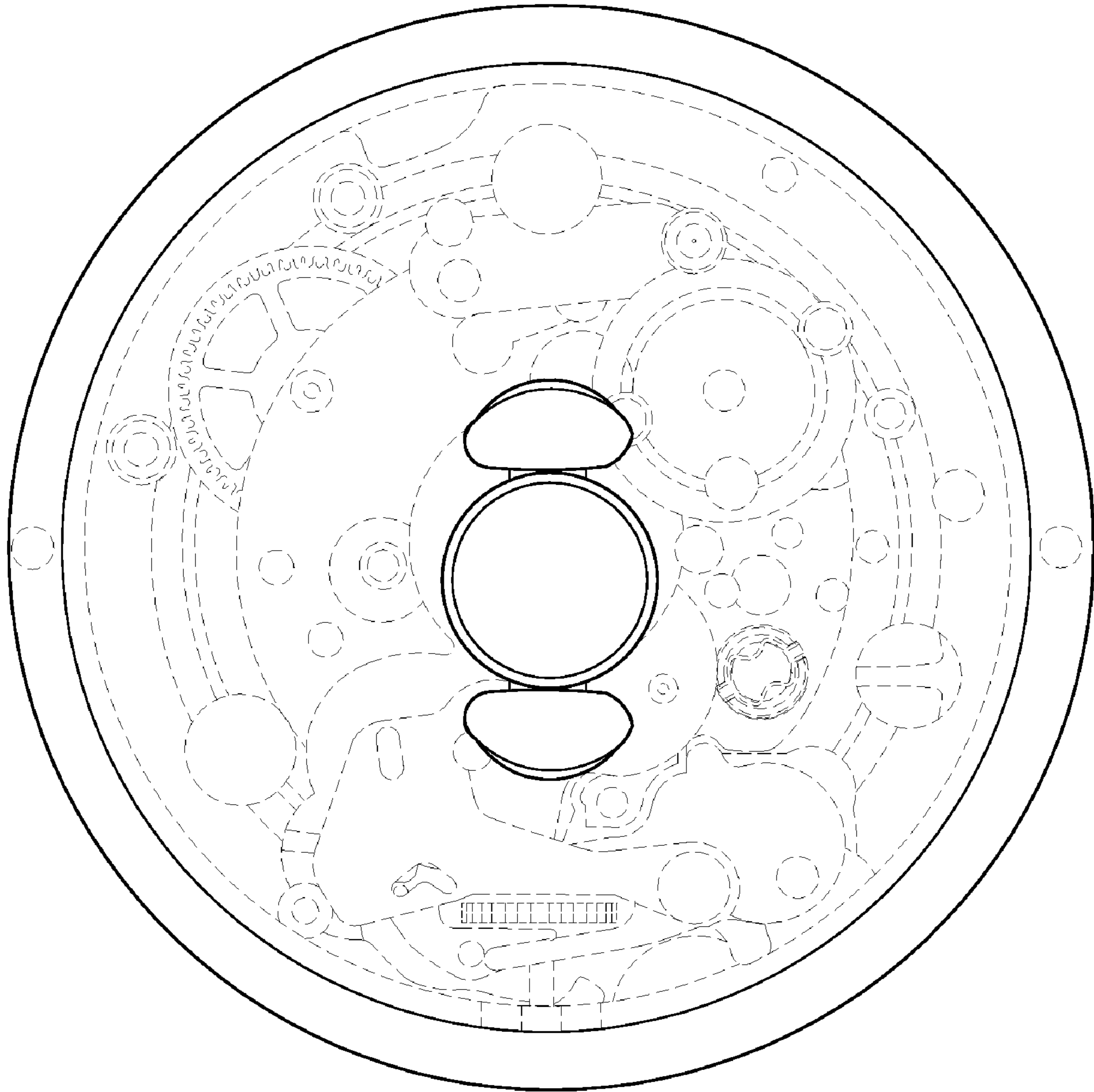
**Fig. 3**



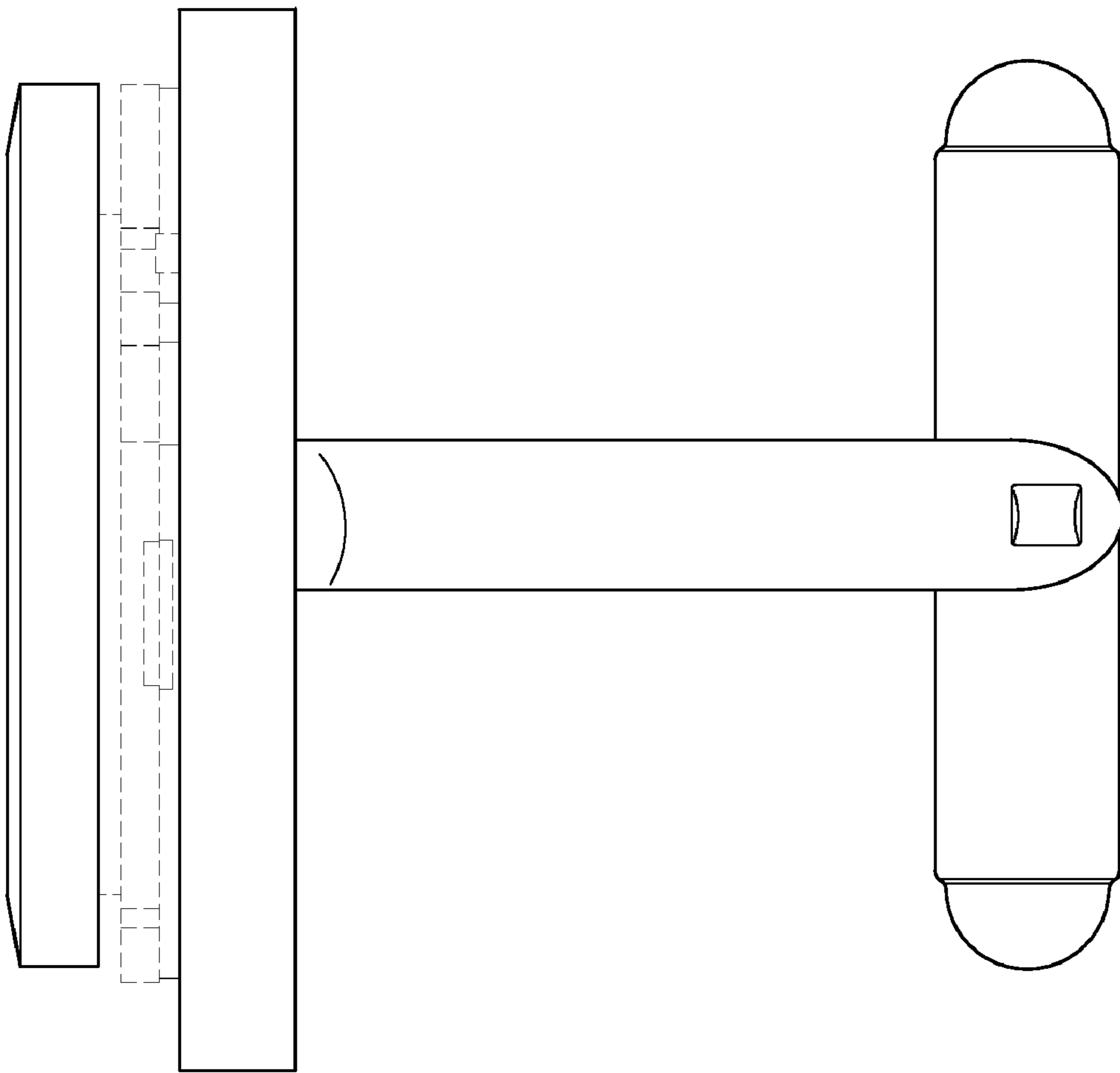
**Fig. 4**



**Fig. 5**

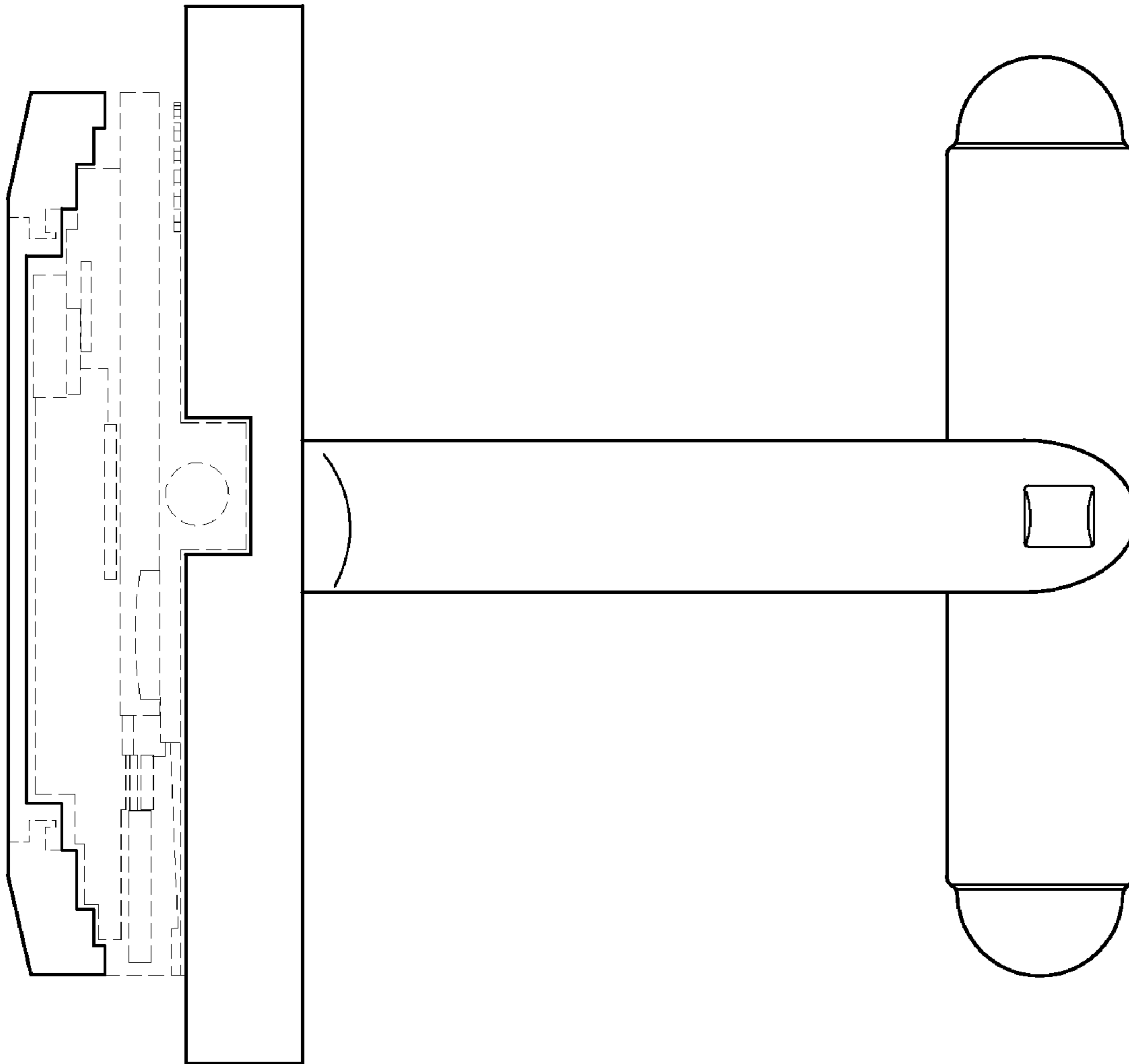


**Fig. 6**

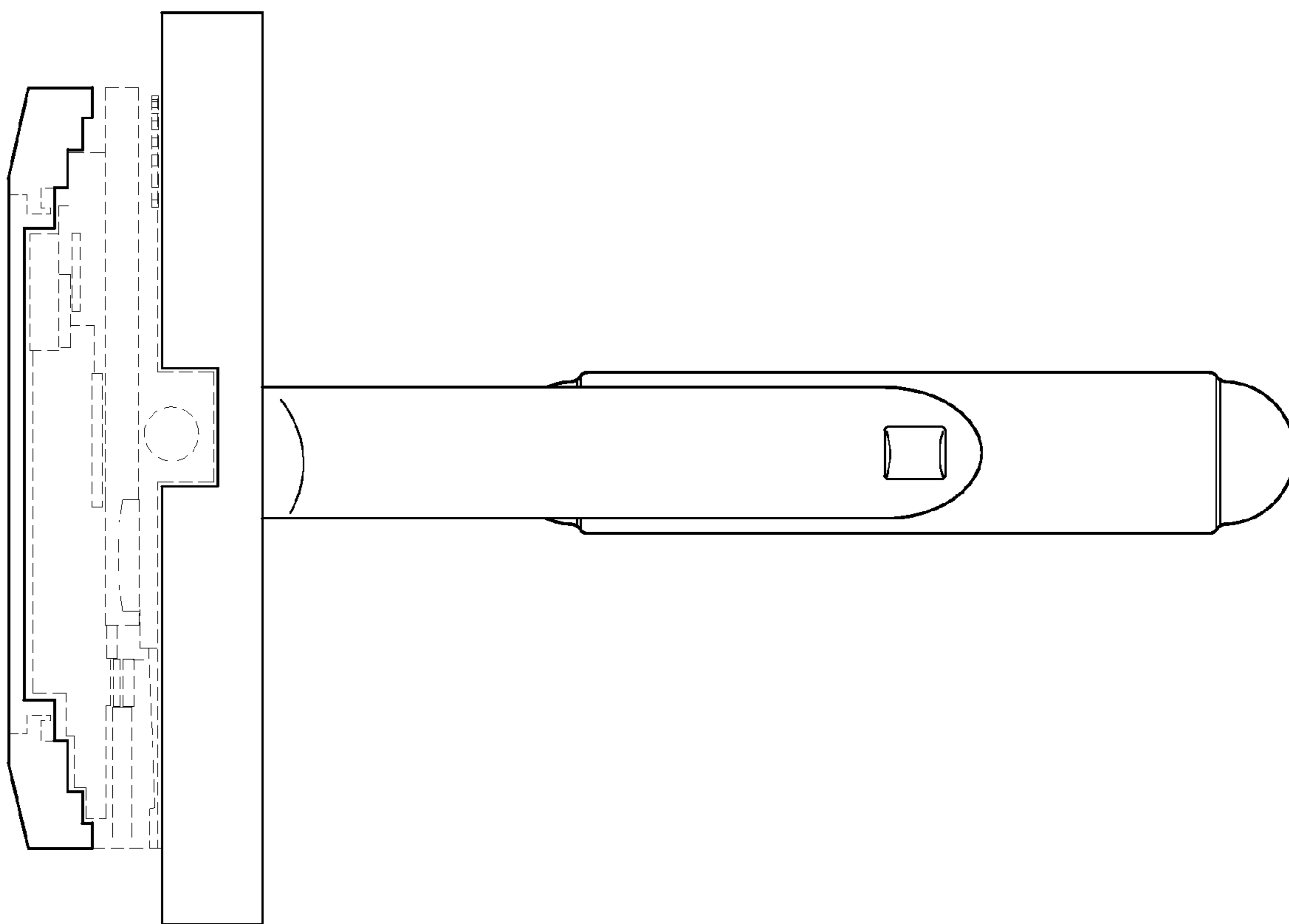


**Fig. 7**

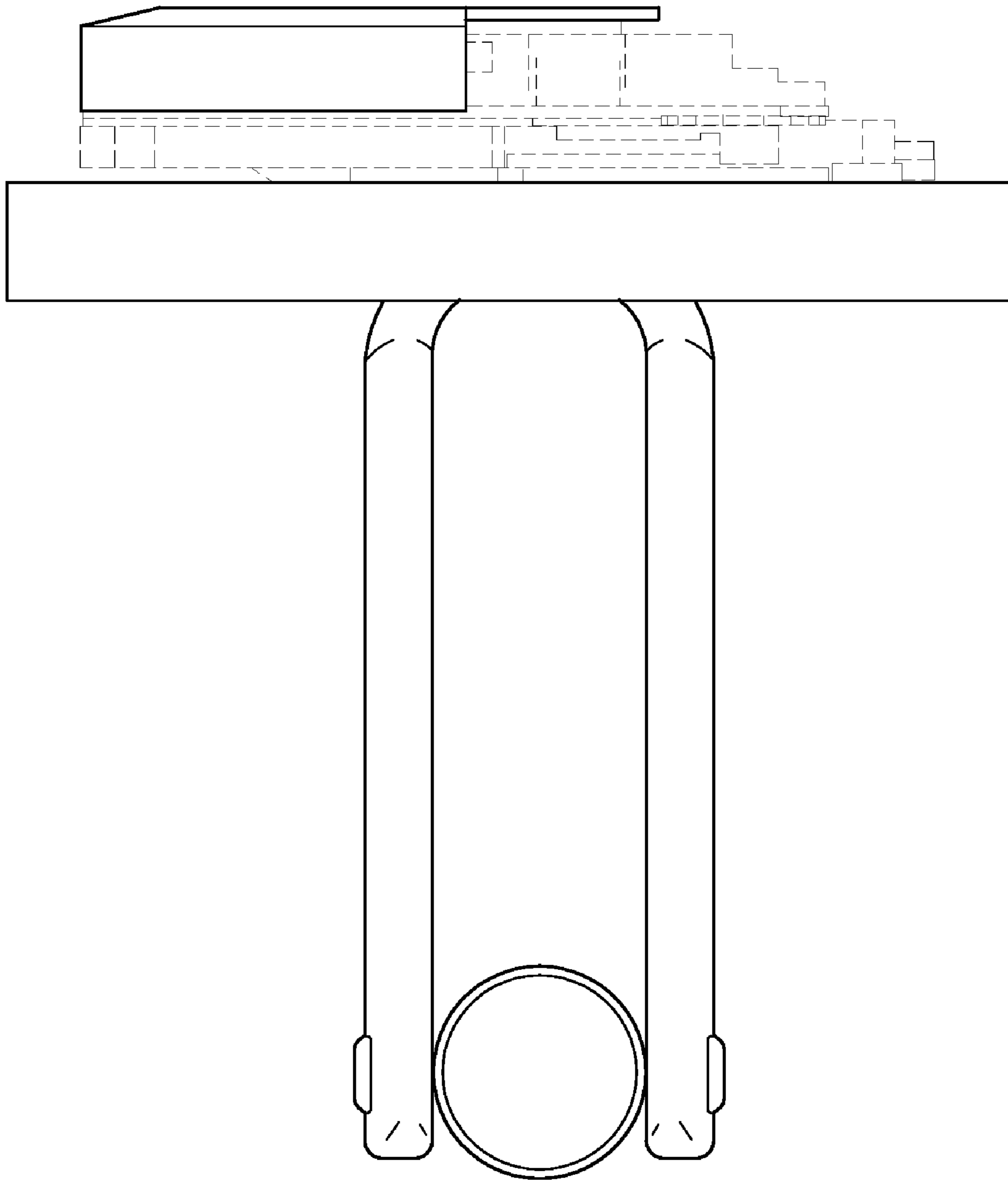




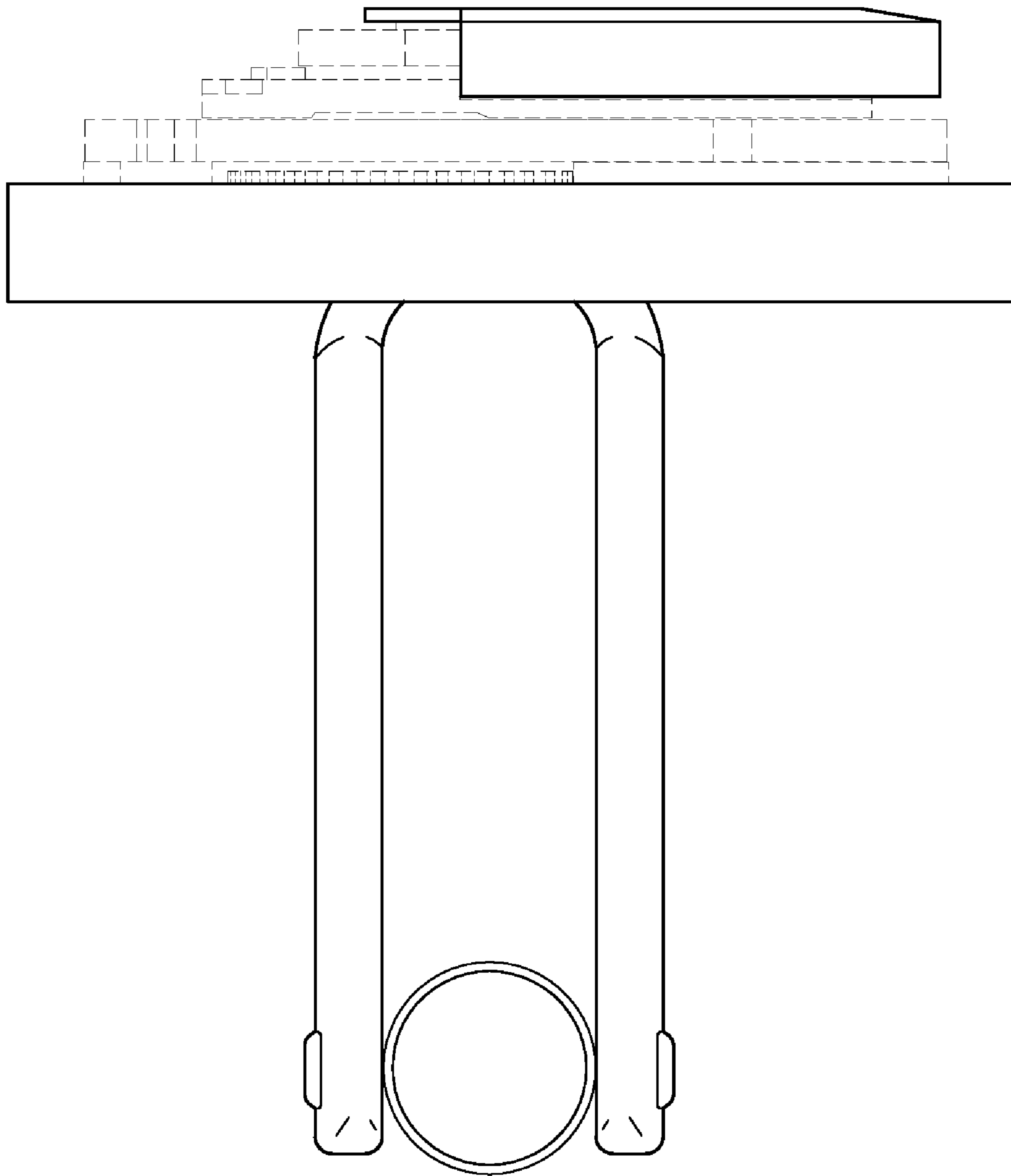
**Fig. 8**



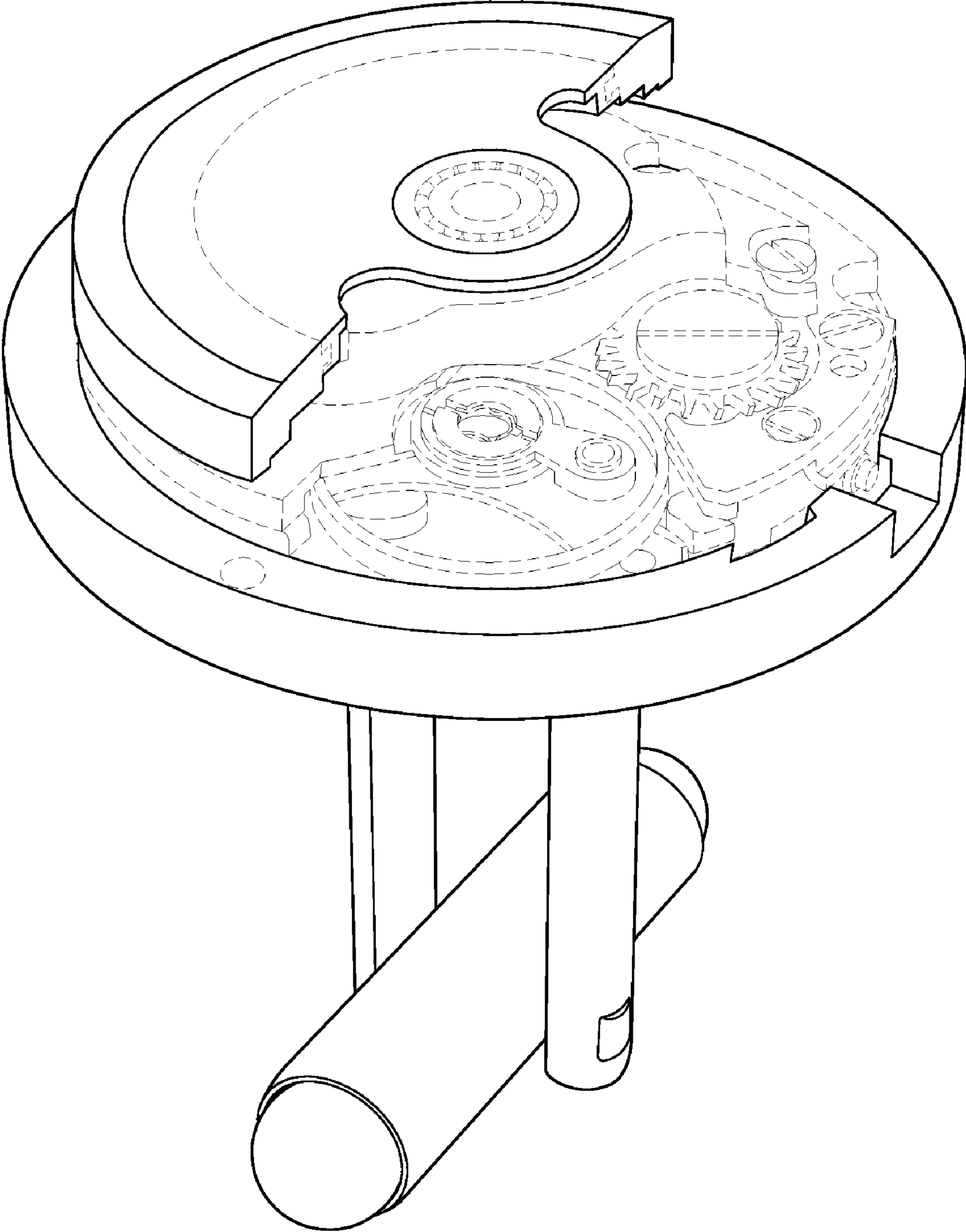
**Fig. 9**



**Fig. 10**



**Fig. 11**



**Fig. 12**