



US00D568202S

(12) **United States Design Patent**  
**Short**

(10) **Patent No.:** **US D568,202 S**

(45) **Date of Patent:** **\*\* May 6, 2008**

(54) **EMBLEM**

(75) Inventor: **James M. Short**, Longview, WA (US)

(73) Assignee: **Kaper II, Inc.**, Kelso, WA (US)

(\*\*) Term: **14 Years**

(21) Appl. No.: **29/266,903**

(22) Filed: **Sep. 29, 2006**

(51) **LOC (8) Cl.** ..... **11-03**

(52) **U.S. Cl.** ..... **D11/95**

(58) **Field of Classification Search** ..... D11/1-2,  
D11/7, 40-44, 46-49, 53, 56-57, 59-61,  
D11/63, 65, 79-83, 86-87, 89-90, 99, 91-92,  
D11/101, 106, 114-116, 200-201, 95; 63/1.11,  
63/18-20; D3/207-211

See application file for complete search history.

(56) **References Cited**

**U.S. PATENT DOCUMENTS**

1,162,955 A \* 12/1915 Vaughan ..... 70/456 R  
D481,969 S \* 11/2003 Grimes-Frederick et al. D11/95  
D504,084 S \* 4/2005 Sims et al. .... D11/140

\* cited by examiner

*Primary Examiner*—Ralf Seifert

(74) *Attorney, Agent, or Firm*—Stoel Rives LLP

(57) **CLAIM**

The ornamental design for an emblem, as shown and described.

**DESCRIPTION**

FIG. 1 is a front, left perspective view of an emblem showing the new design;

FIG. 2 is a front elevation view thereof as the emblem may be positioned on a gauge;

FIG. 3 is a front elevation view thereof;

FIG. 4 is a top plan view thereof;

FIG. 5 is a right side elevation view thereof;

FIG. 6 is a left side elevation view thereof;

FIG. 7 is a bottom plan view thereof.

FIG. 8 is a front, left perspective view of an emblem showing a second embodiment of the design;

FIG. 9 is a front elevation view thereof as the emblem may be positioned on a gauge;

FIG. 10 is a front elevation view thereof;

FIG. 11 is a top plan view thereof;

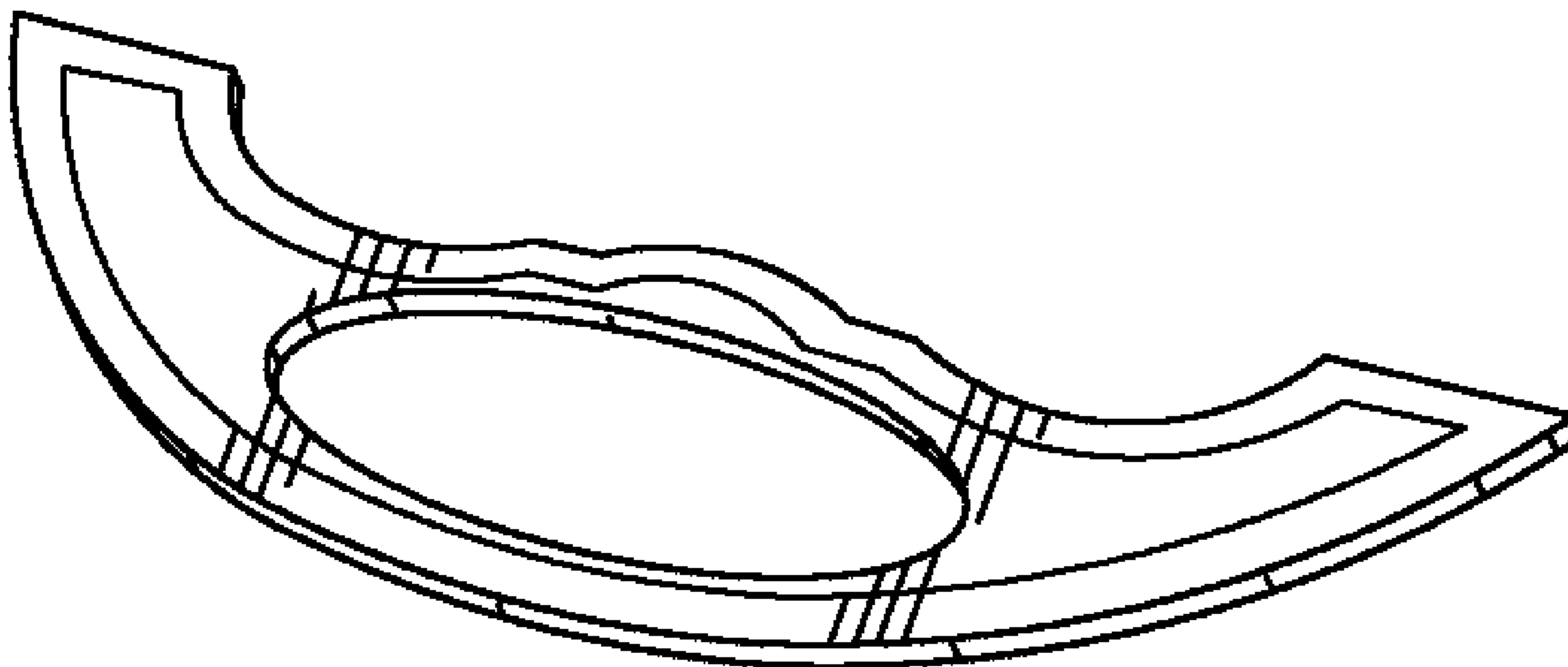
FIG. 12 is a right side elevation view thereof;

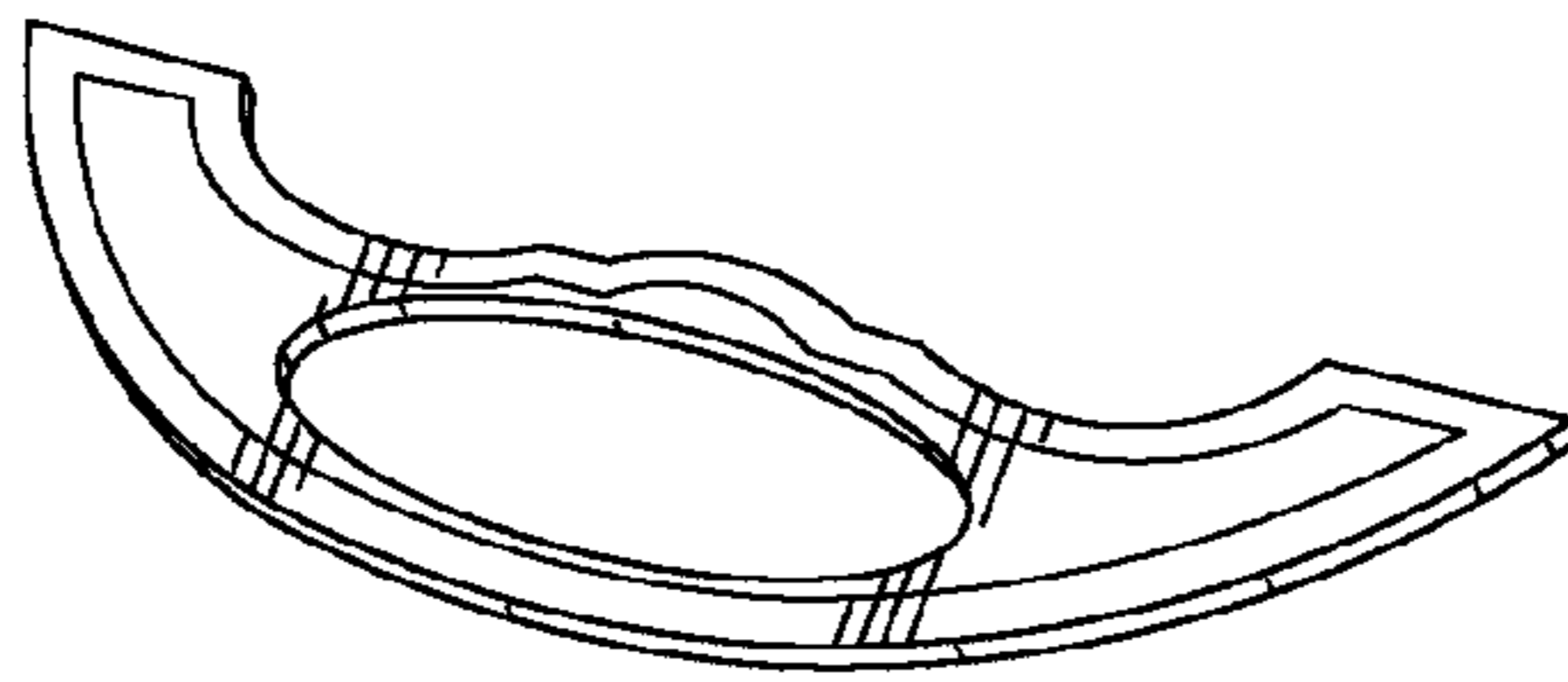
FIG. 13 is a left side elevation view thereof; and,

FIG. 14 is a bottom plan view thereof.

The broken lines in FIGS. 2 and 9 showing environmental matter are merely for the purpose of illustrating an example of environment in which this design may be used and forms no part of the claimed design; the dashed lines interior to the emblem in FIGS. 8-10 are for illustrative purposes only and form no part of the claimed design.

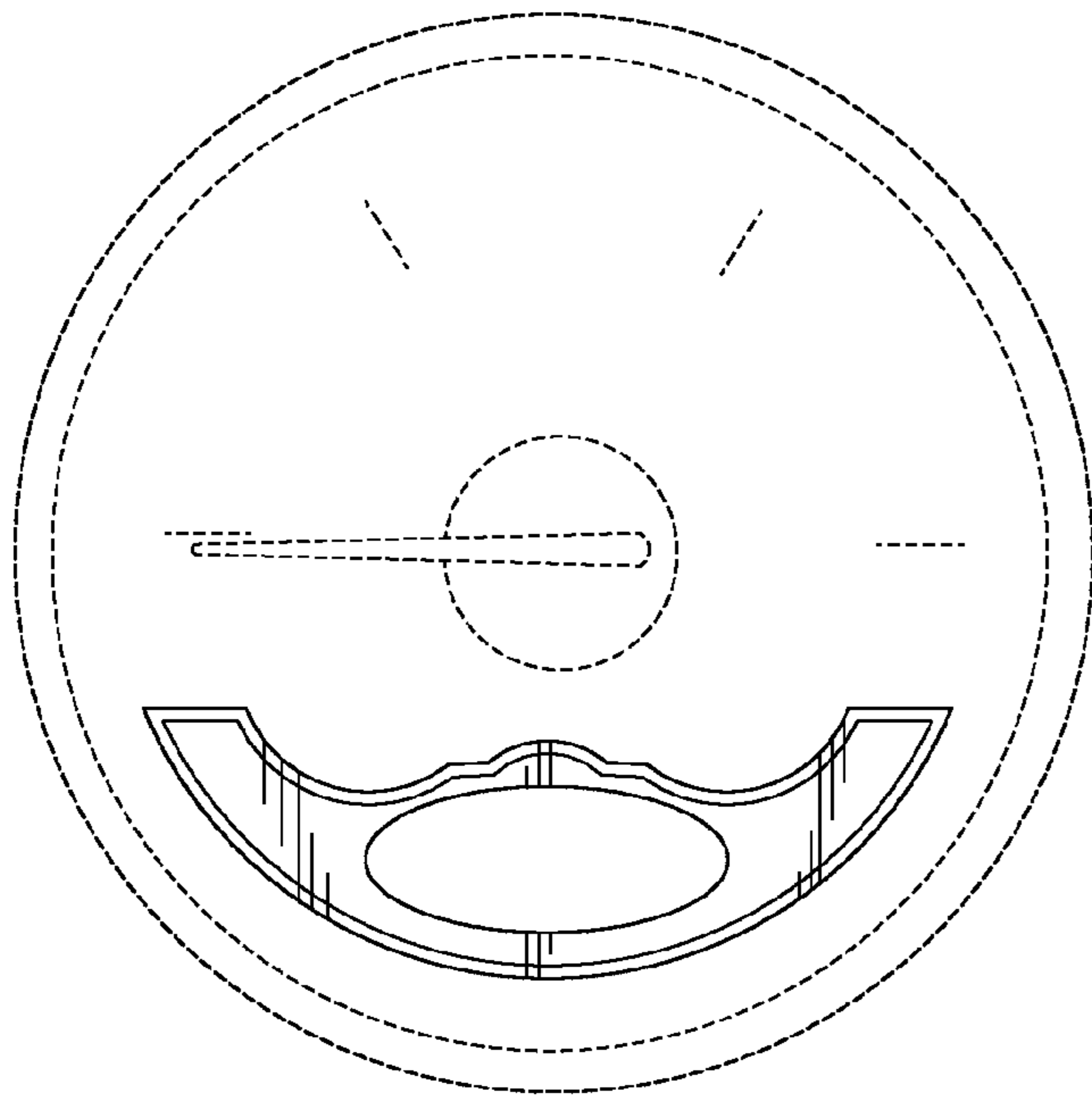
**1 Claim, 2 Drawing Sheets**



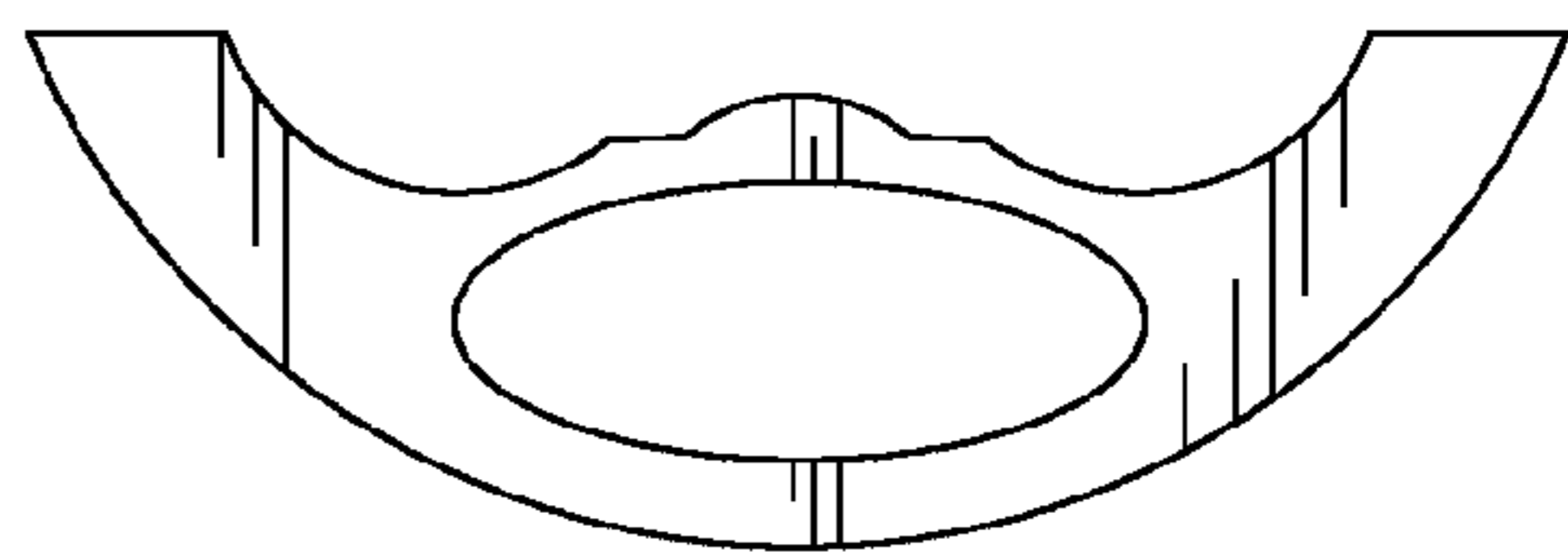


*FIG. 1*

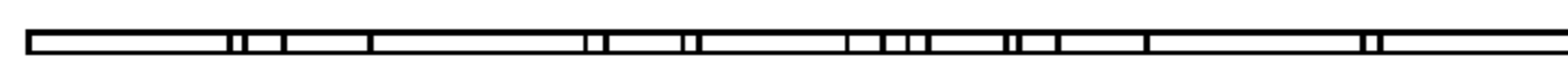
*FIG. 2*



*FIG. 3*



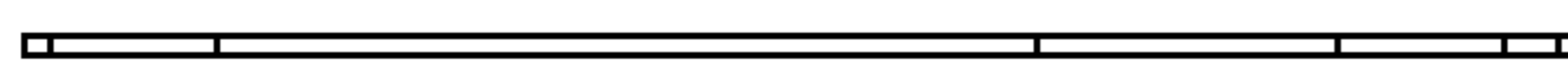
*FIG. 5*



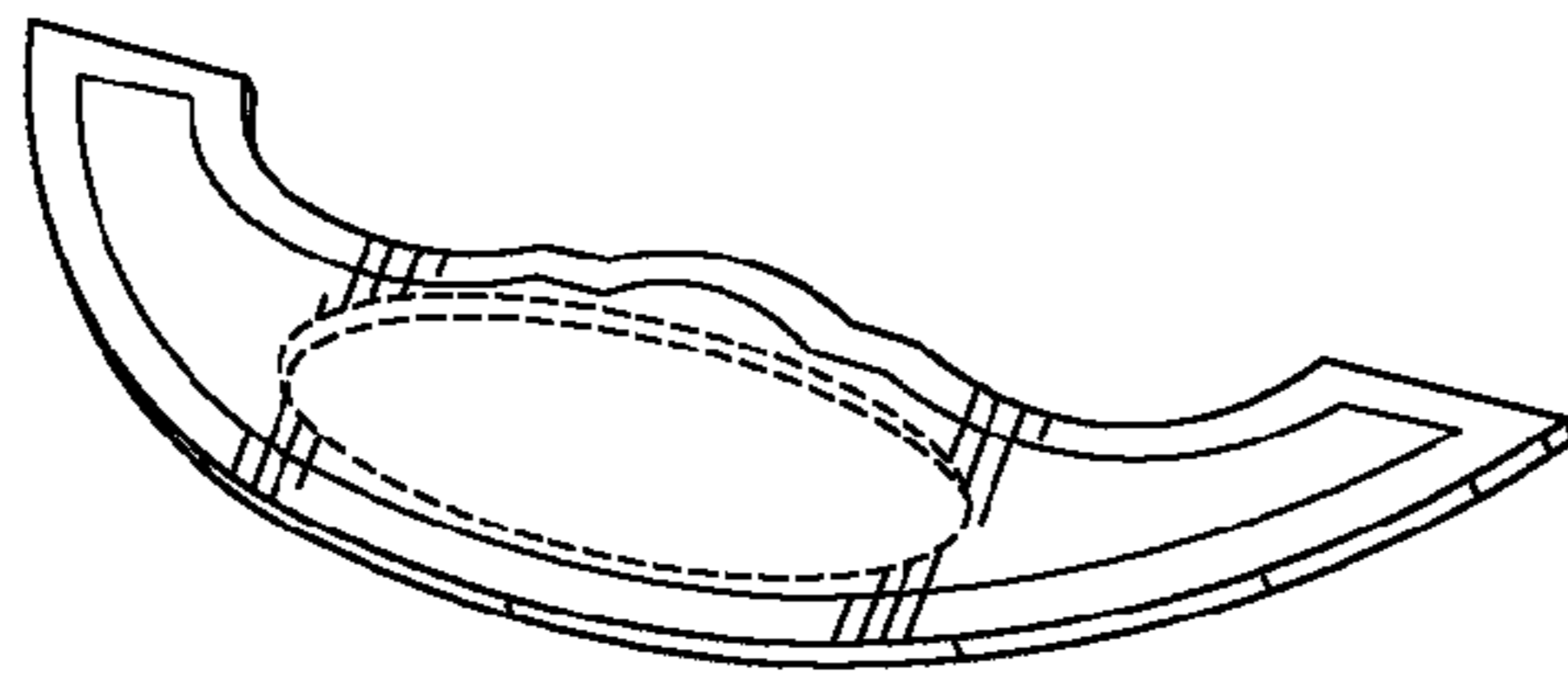
*FIG. 4*



*FIG. 6*

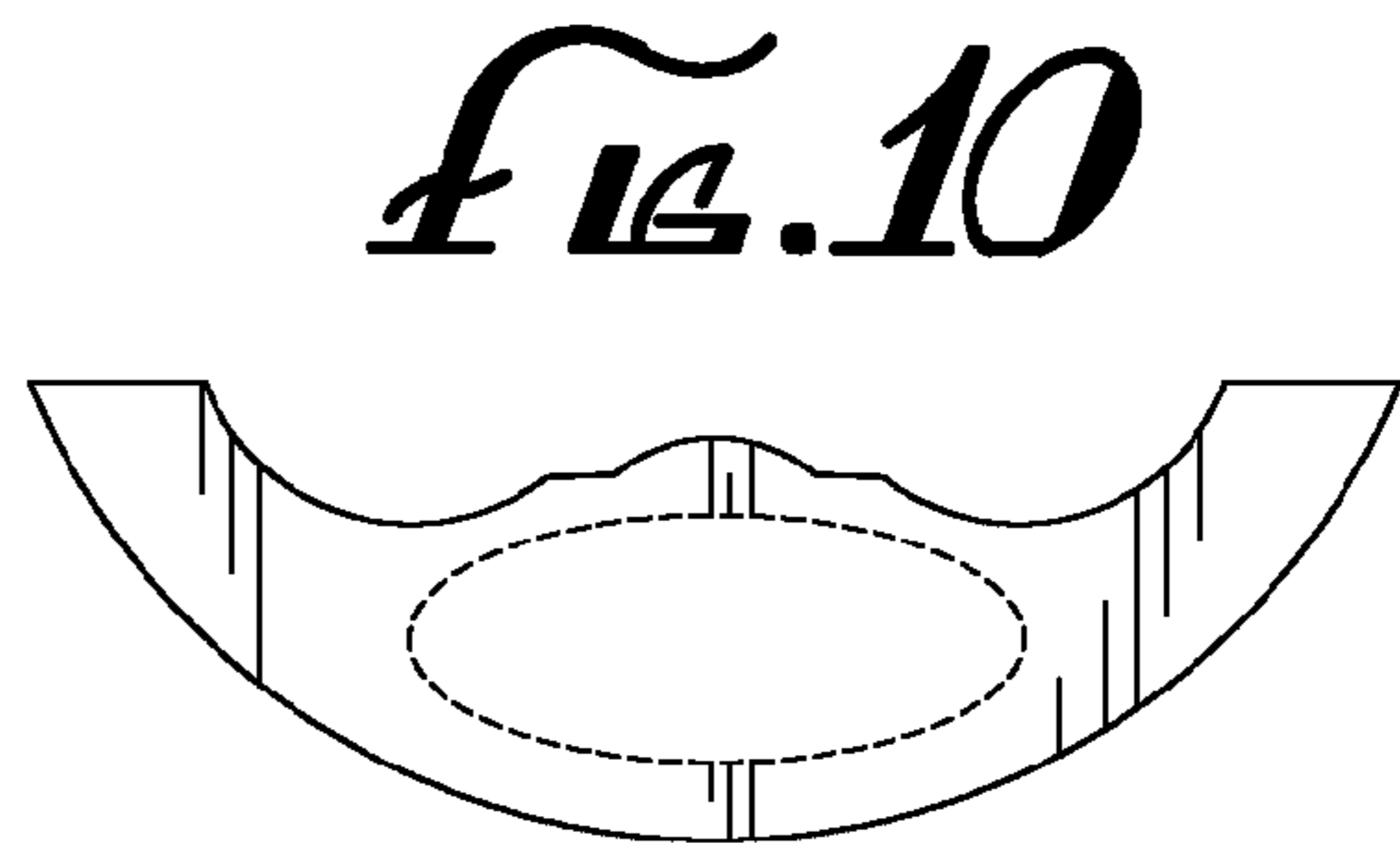
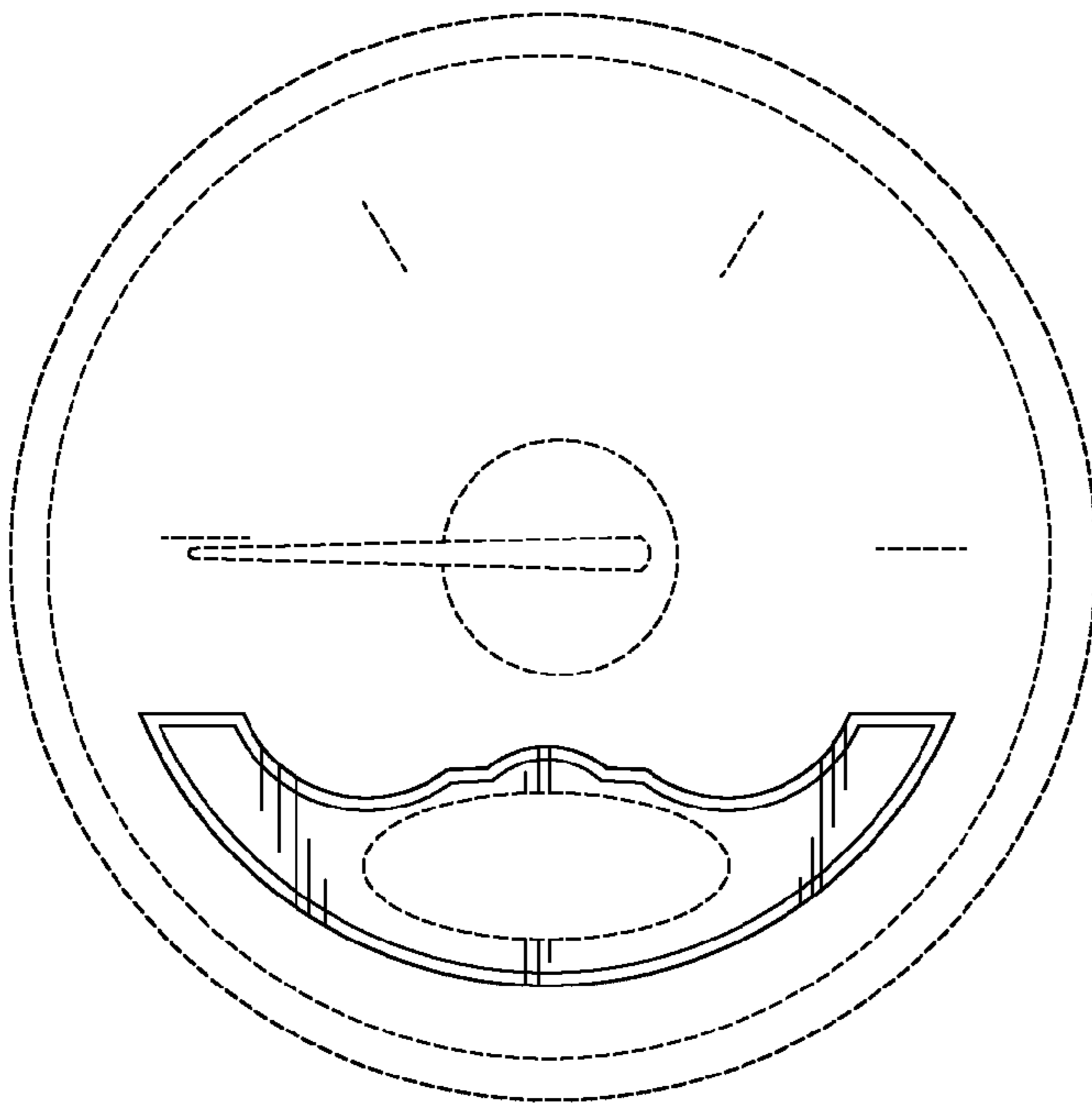


*FIG. 7*



*Fig. 8*

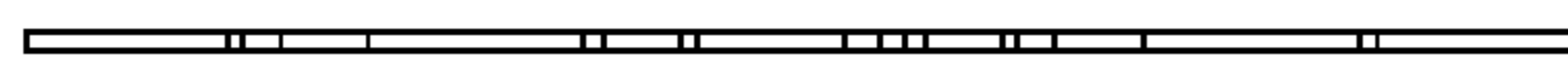
*Fig. 9*



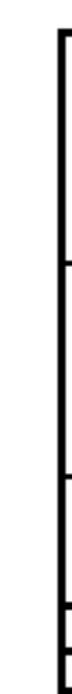
*Fig. 10*



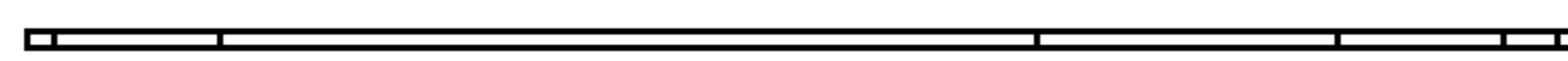
*Fig. 12*



*Fig. 11*



*Fig. 13*



*Fig. 14*