



US00D568195S

(12) **United States Design Patent**  
**Solow**

(10) **Patent No.:** **US D568,195 S**

(45) **Date of Patent:** **\*\* May 6, 2008**

(54) **HORN DESIGN**

(75) Inventor: **Stanley Solow**, Plainview, NY (US)

(73) Assignee: **Wolo Mfg. Corp.**, Deer Park, NY (US)

(\*\*) Term: **14 Years**

(21) Appl. No.: **29/249,441**

(22) Filed: **Oct. 6, 2006**

(51) **LOC (8) Cl.** ..... **10-05**

(52) **U.S. Cl.** ..... **D10/120; D10/116**

(58) **Field of Classification Search** ..... D10/116,  
D10/120; D14/187; 229/103; 439/500;  
362/86; 381/75; 34/96, 97

See application file for complete search history.

(56) **References Cited**

**U.S. PATENT DOCUMENTS**

2,314,108	A *	3/1943	Silverman	.....	381/75
2,428,147	A *	9/1947	Dalrymple	.....	381/75
2,692,913	A *	10/1954	Kamimori	.....	381/75
2,808,458	A *	10/1957	Turpin et al.	.....	381/75
2,830,116	A *	4/1958	Hardesty	.....	381/75
2,915,587	A *	12/1959	Hardesty	.....	381/75
4,114,973	A *	9/1978	Stiller	.....	439/500
D271,968	S *	12/1983	Segan et al.	.....	D14/187
5,259,807	A *	11/1993	Crow	.....	446/397
5,392,528	A *	2/1995	McDougall	.....	34/97
5,859,915	A *	1/1999	Norris	.....	381/75

5,956,863	A *	9/1999	Allen	.....	34/97
6,739,071	B2 *	5/2004	Andis et al.	.....	34/96
2003/0177657	A1 *	9/2003	Andis et al.	.....	34/96
2005/0072019	A1 *	4/2005	Rago et al.	.....	34/96
2005/0078470	A1 *	4/2005	Yang	.....	362/86
2005/0184137	A1 *	8/2005	Dorsey et al.	.....	229/103

\* cited by examiner

*Primary Examiner*—Robert M. Spear

*Assistant Examiner*—George D Kirschbaum

(74) *Attorney, Agent, or Firm*—Lackenbach Siegel, LLP

(57) **CLAIM**

The ornamental design for an horn design, as shown and described.

**DESCRIPTION**

FIG. 1 is a front perspective elevational view of an horn design showing our new design.

FIG. 2 is a left side elevated view thereof.

FIG. 3 is a front elevated view thereof.

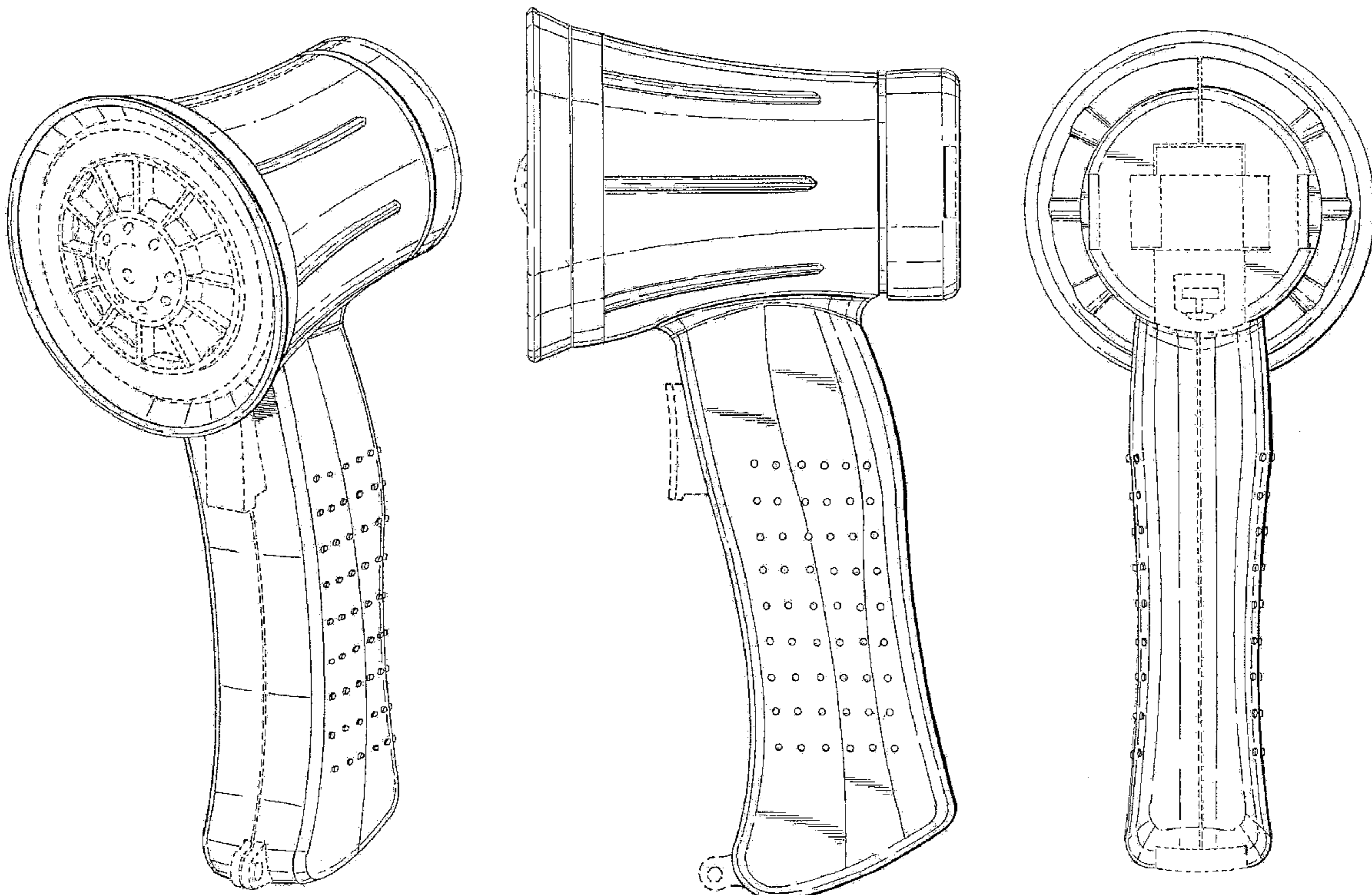
FIG. 4 is a back elevated view thereof.

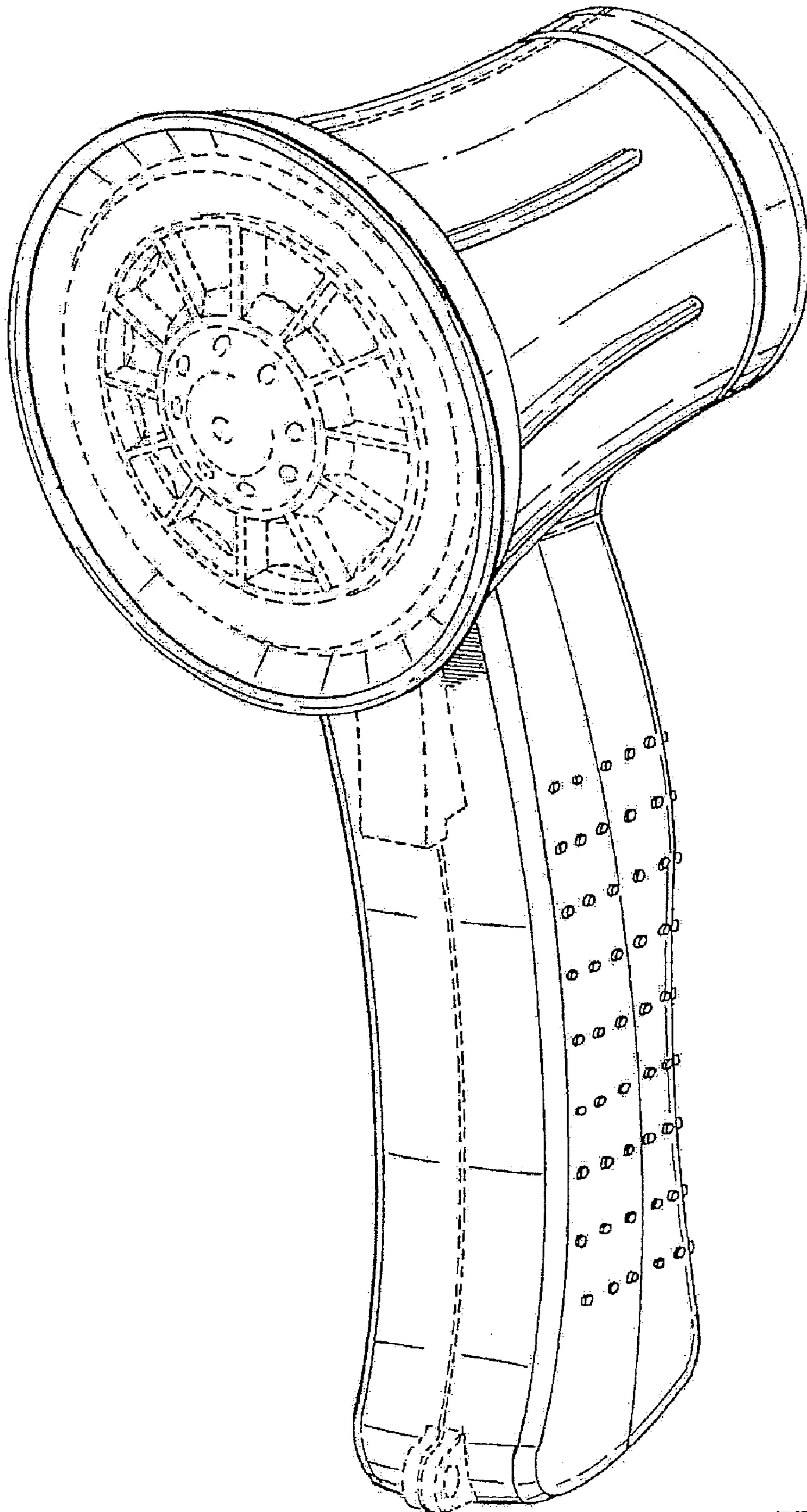
FIG. 5 is a top plan elevational view thereof; and,

FIG. 6 is a bottom elevational view thereof.

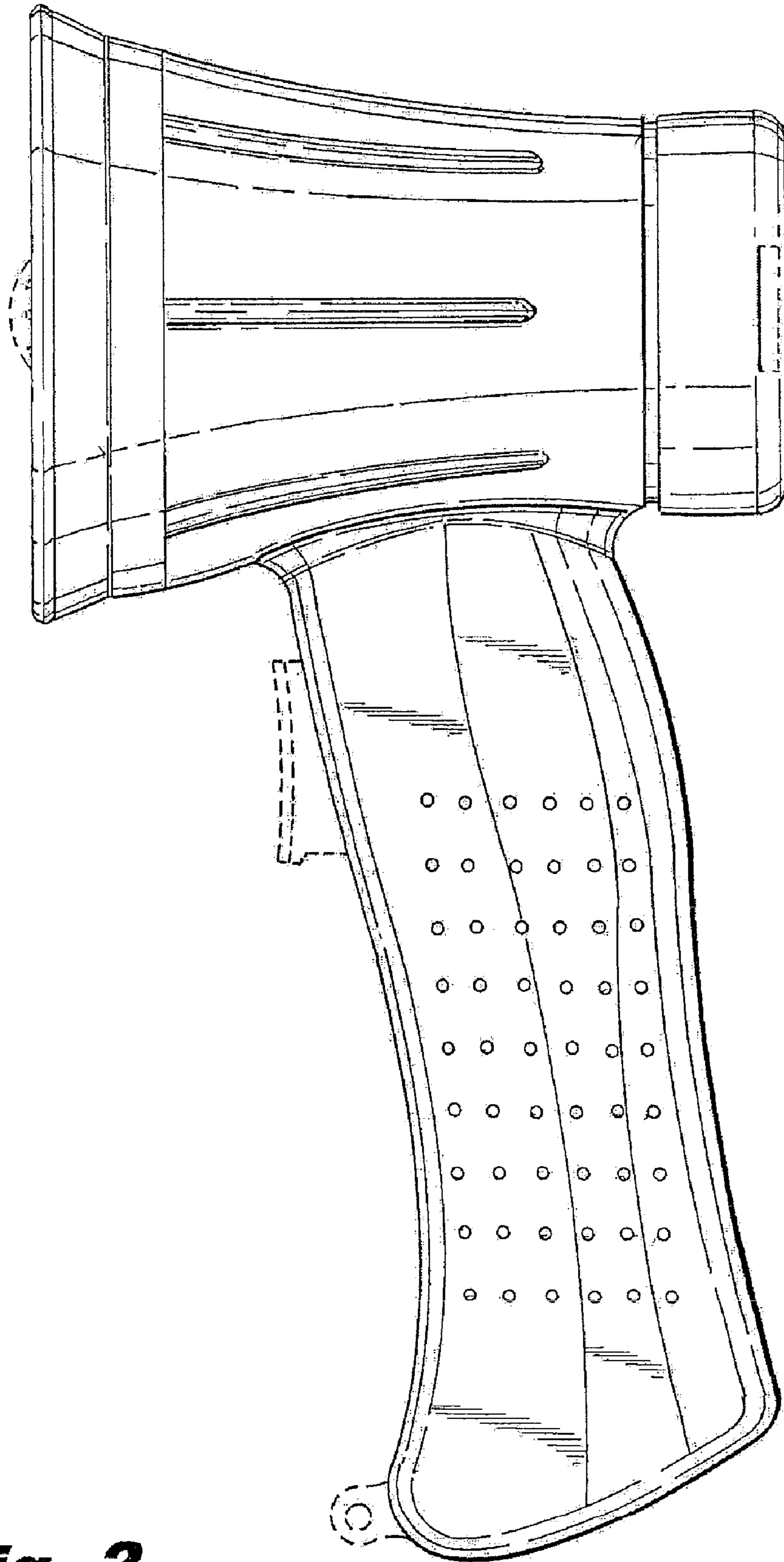
The broken lines depict unclaimed environmental subject matter.

**1 Claim, 5 Drawing Sheets**

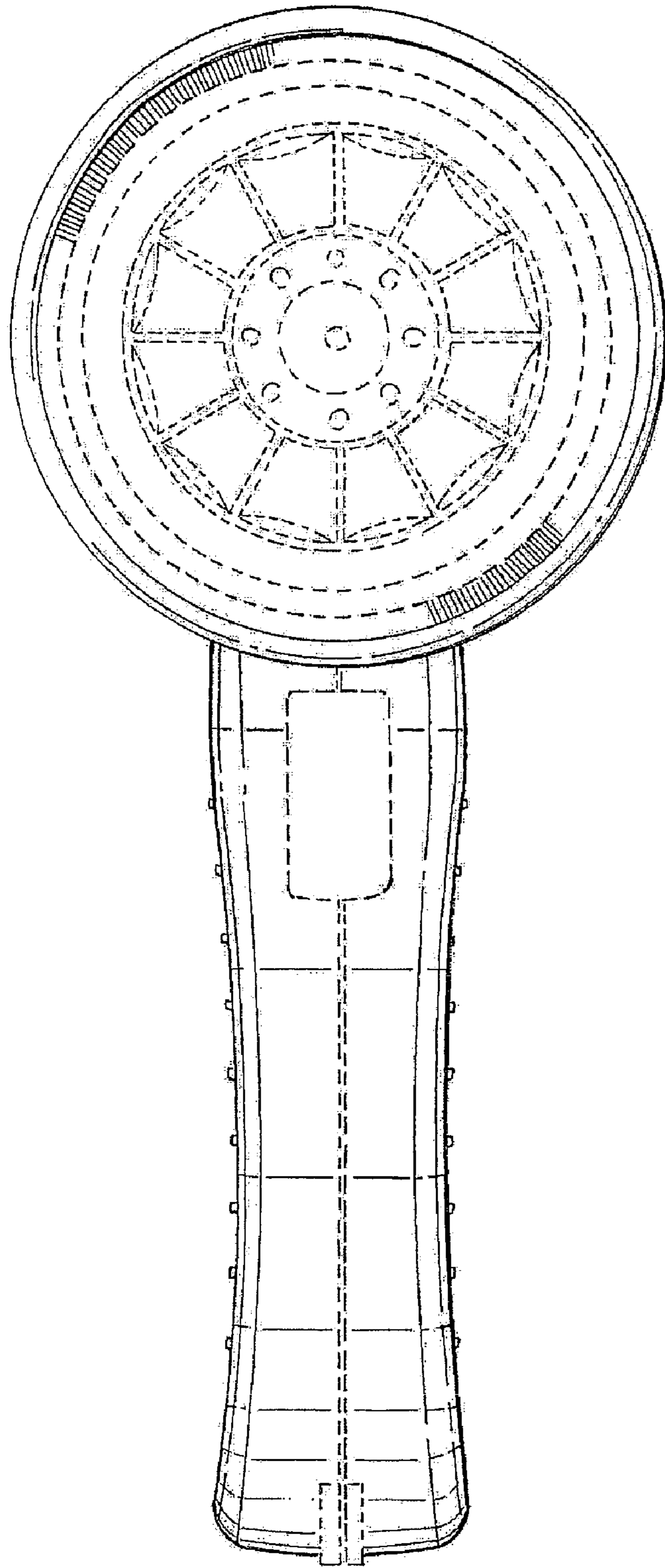




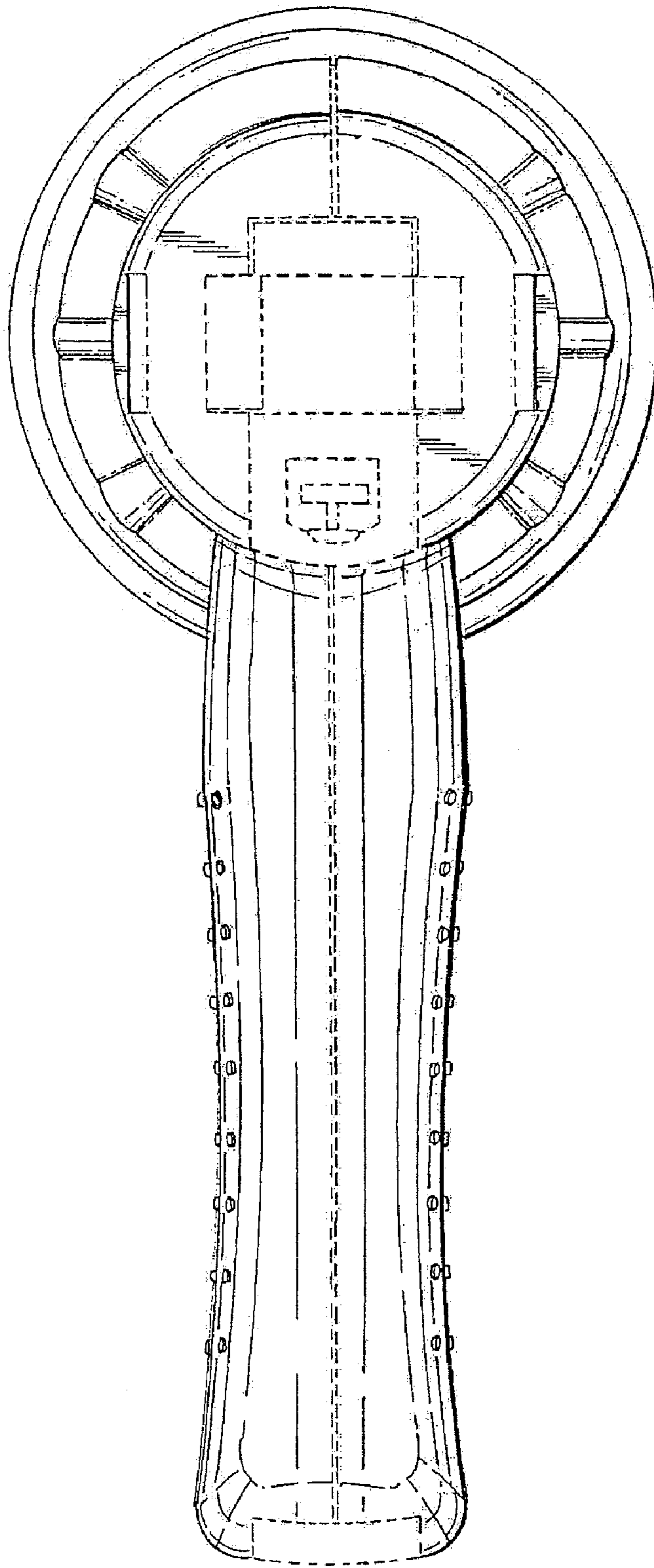
**Fig. 1**



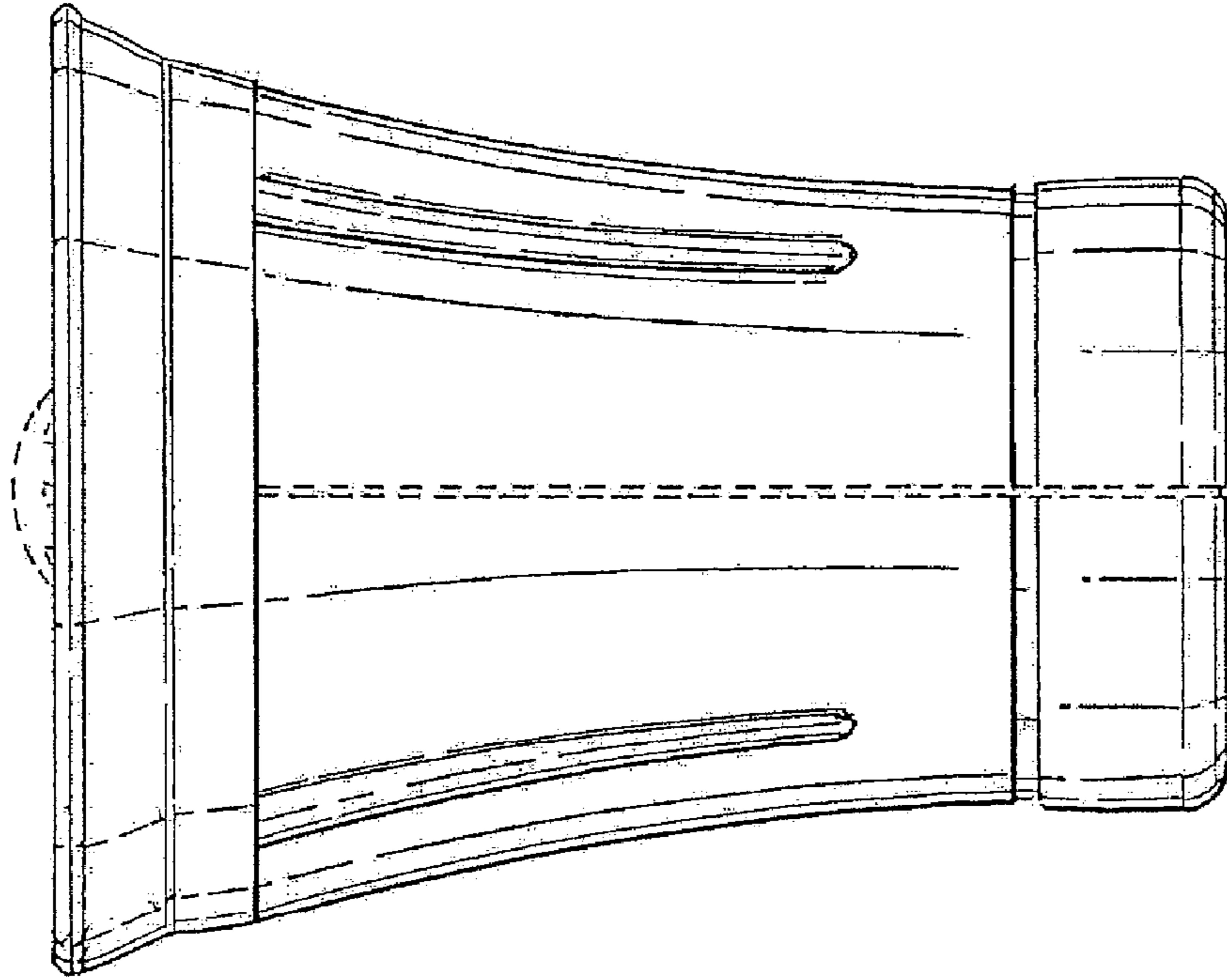
**Fig. 2**



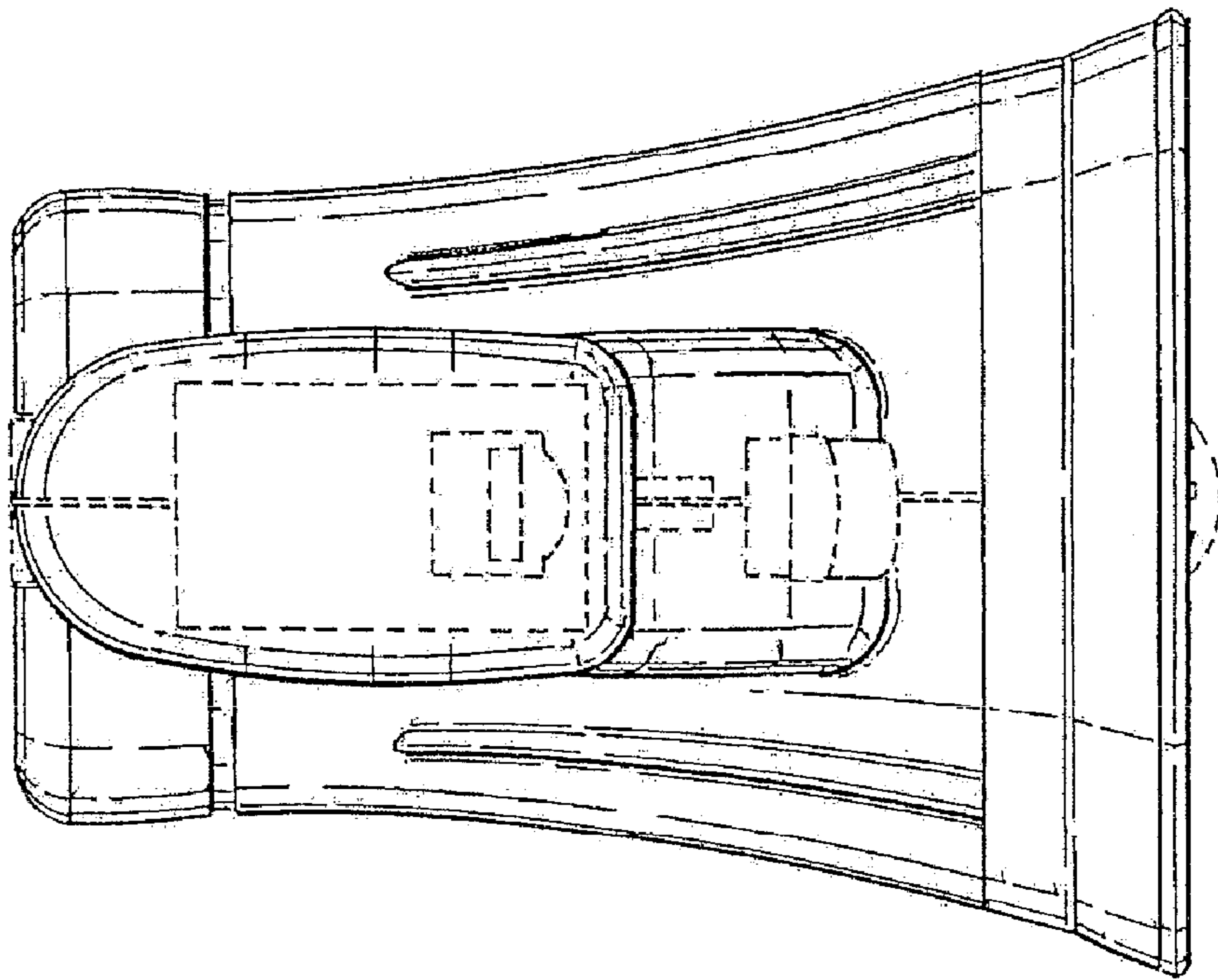
**Fig. 3**



**Fig. 4**



**Fig. 5**



**Fig. 6**