

US00D568194S

(12) **United States Design Patent**  
**Vojinovic et al.**

(10) **Patent No.:** **US D568,194 S**

(45) **Date of Patent:** **\*\* May 6, 2008**

(54) **NOTIFICATION DEVICES**

(75) Inventors: **Bojana Vojinovic**, Elmhurst, IL (US);  
**Jeffrey M. Klein**, Chicago, IL (US)

(73) Assignee: **Honeywell International, Inc.**,  
Morristown, NJ (US)

(\*\*) Term: **14 Years**

(21) Appl. No.: **29/250,952**

(22) Filed: **Dec. 7, 2006**

**Related U.S. Application Data**

(63) Continuation-in-part of application No. 11/535,760,  
filed on Sep. 27, 2006.

(51) **LOC (8) Cl.** ..... **10-05**

(52) **U.S. Cl.** ..... **D10/116; D10/104; D10/109**

(58) **Field of Classification Search** ..... **D10/104,**  
**D10/106, 109, 114, 116; 340/815, 432, 908.1,**  
**340/815.03, 760, 761, 867, 782, 471, 473,**  
**340/815.4, 815.73**

See application file for complete search history.

(56) **References Cited**

**U.S. PATENT DOCUMENTS**

D151,627	S *	11/1948	Kress	.....	D10/106
D258,353	S *	2/1981	Mango et al.	.....	D10/106
D260,008	S *	7/1981	Wistrand	.....	D10/106
D315,112	S *	3/1991	Andrews et al.	.....	D10/104
D315,694	S *	3/1991	Thorp et al.	.....	D10/114
D374,635	S *	10/1996	Hur et al.	.....	D10/106
5,805,071	A *	9/1998	Hur	.....	340/693.9
6,133,843	A *	10/2000	Davidson	.....	340/693.9
D442,104	S *	5/2001	Costa et al.	.....	D10/106
6,271,763	B1 *	8/2001	Hur	.....	340/693.12

6,522,261	B2 *	2/2003	Scheffler et al.	.....	340/815.73
D513,199	S *	12/2005	Costa et al.	.....	D10/106
7,006,003	B2 *	2/2006	Zimmerman et al.	....	340/815.4
2002/0075473	A1 *	6/2002	Davidson et al.	.....	356/4.01
2004/0056773	A1 *	3/2004	Zimmerman et al.	....	340/815.4

\* cited by examiner

*Primary Examiner*—Robert M. Spear

*Assistant Examiner*—George D Kirschbaum

(74) *Attorney, Agent, or Firm*—Welsh & Katz, Ltd.

(57) **CLAIM**

The ornamental design for notification devices, as shown and described.

**DESCRIPTION**

FIG. 1 is a perspective view from the front of a first embodiment of a notification device showing our new design;

FIG. 2 is a front elevational view thereof;

FIG. 3 is a right side elevational view of one side thereof;

FIG. 4 is a left side elevational view thereof;

FIG. 5 is a top plan view thereof;

FIG. 6 is a bottom plan view thereof;

FIG. 7 is a perspective view is a second embodiment showing our new design;

FIG. 8 is a front elevational view thereof;

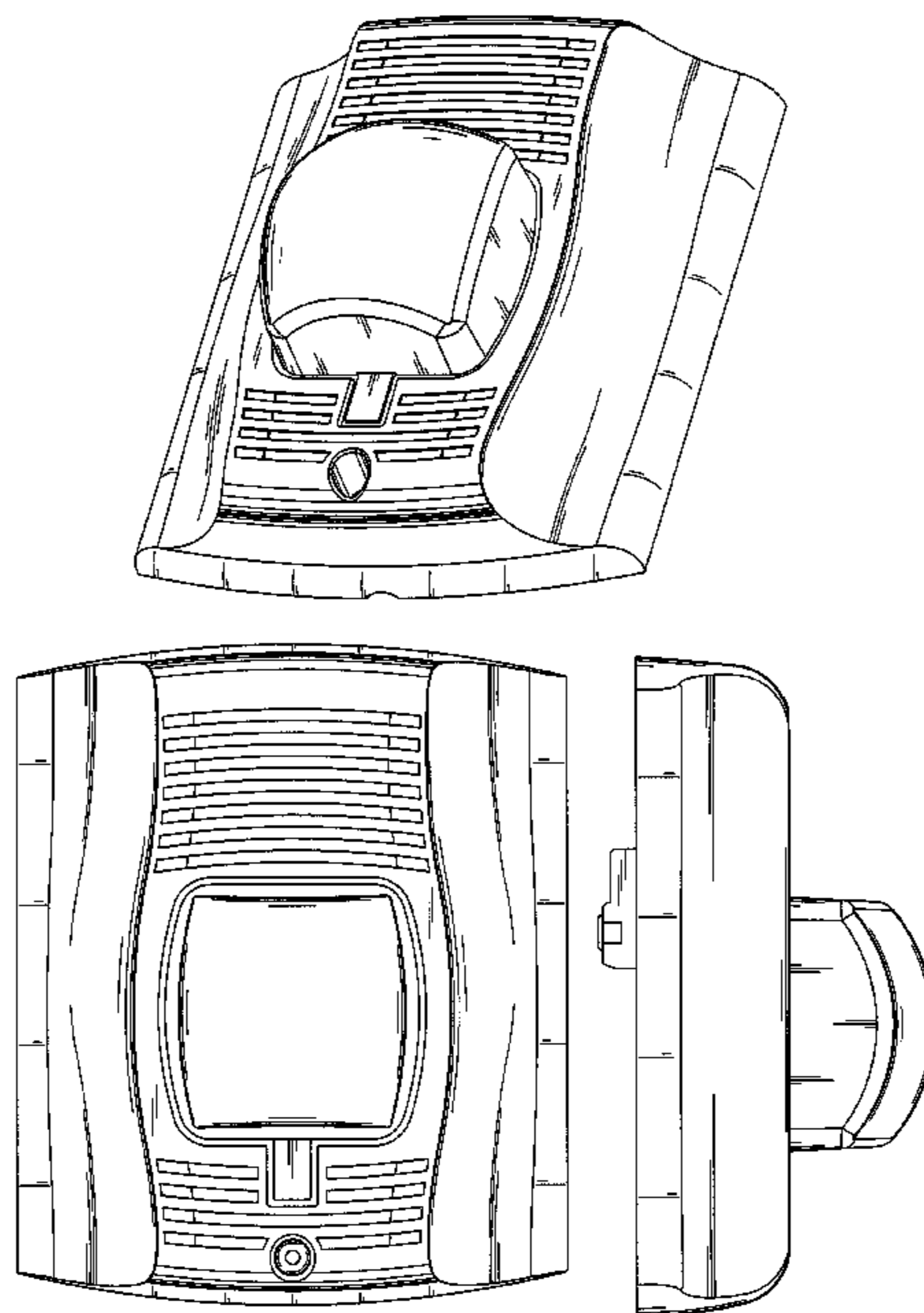
FIG. 9 is a side elevational view thereof;

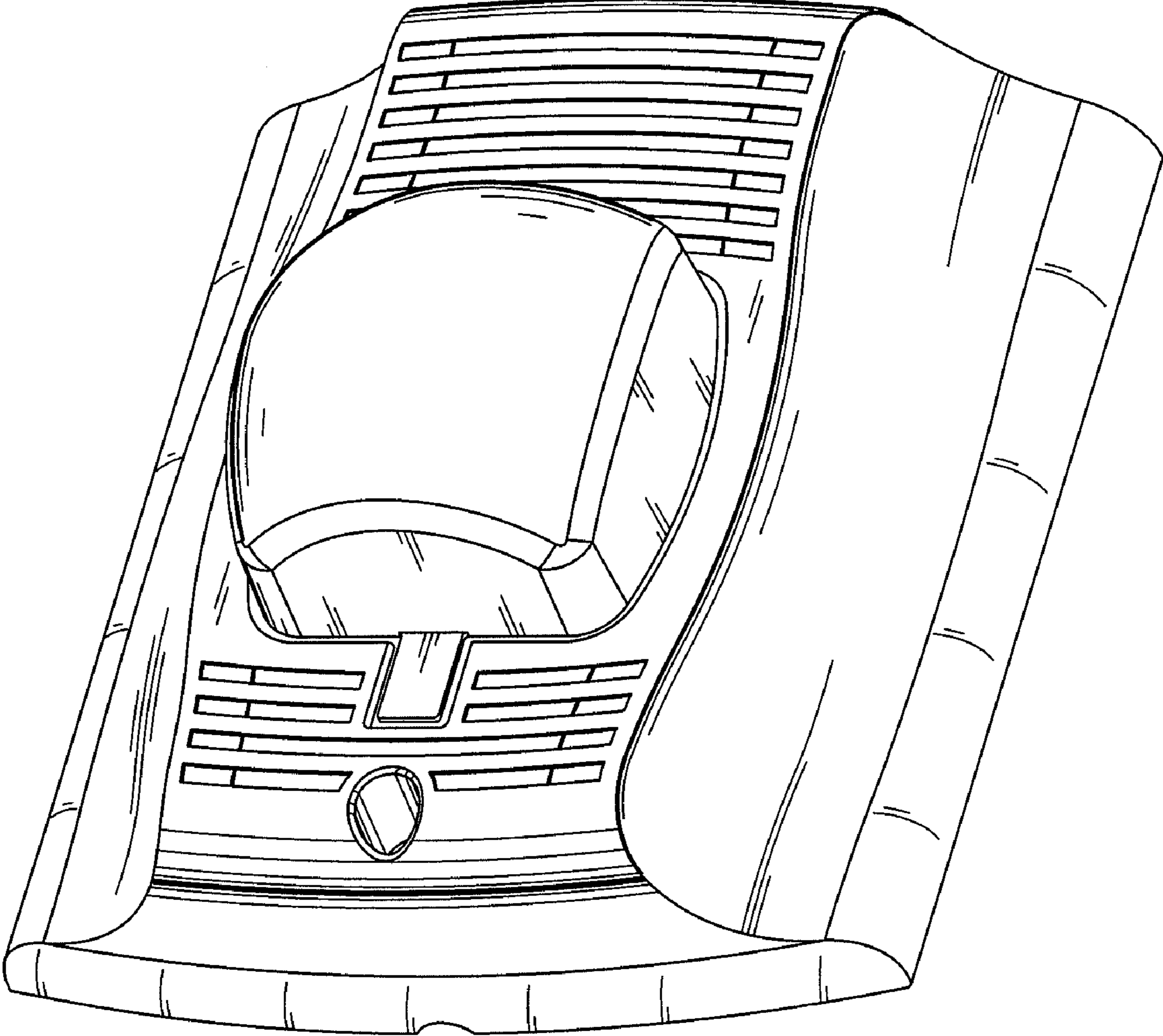
FIG. 10 is an elevational view thereof;

FIG. 11 is a top plan view thereof; and,

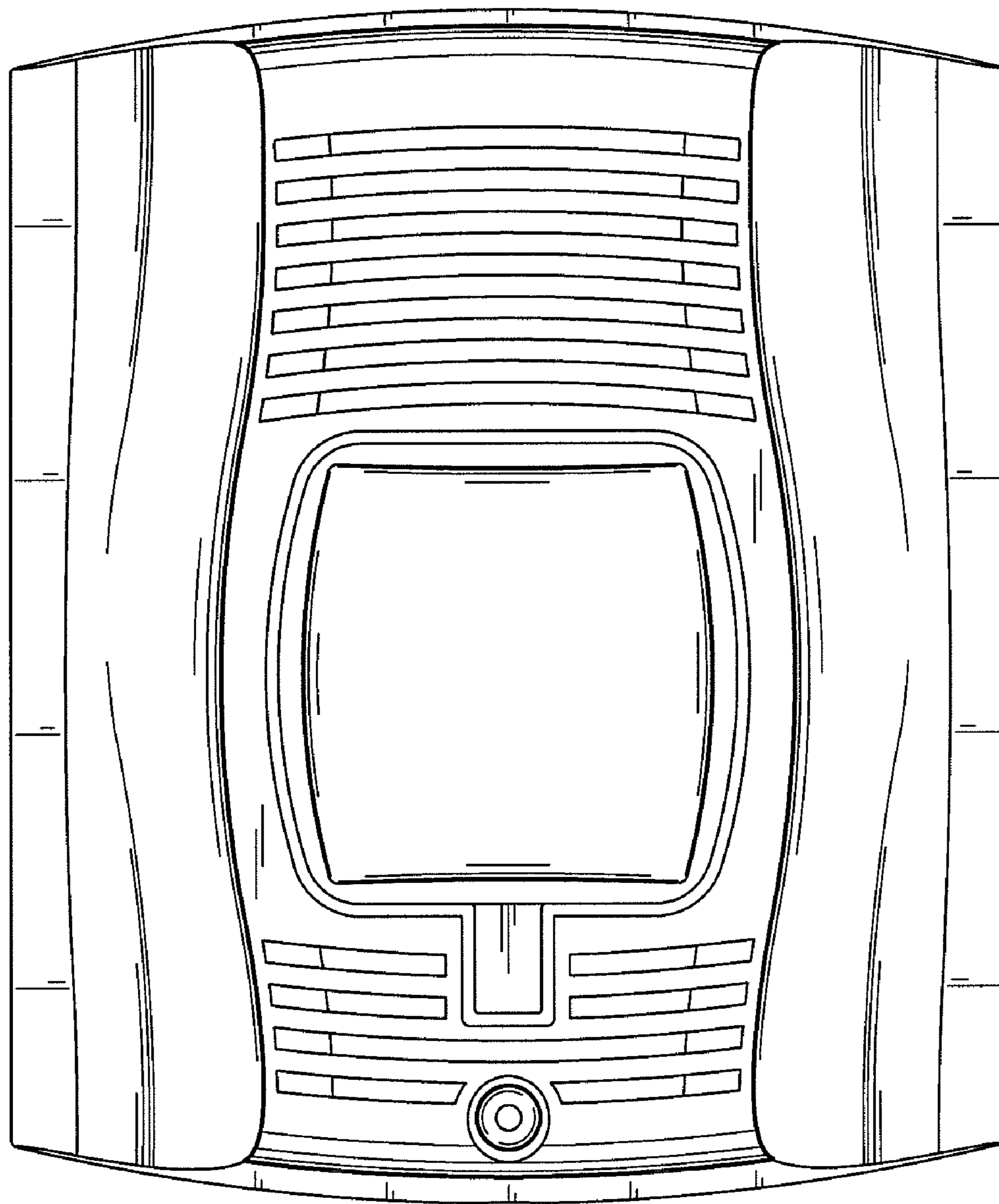
FIG. 12 is a bottom plan view thereof.

**1 Claim, 8 Drawing Sheets**

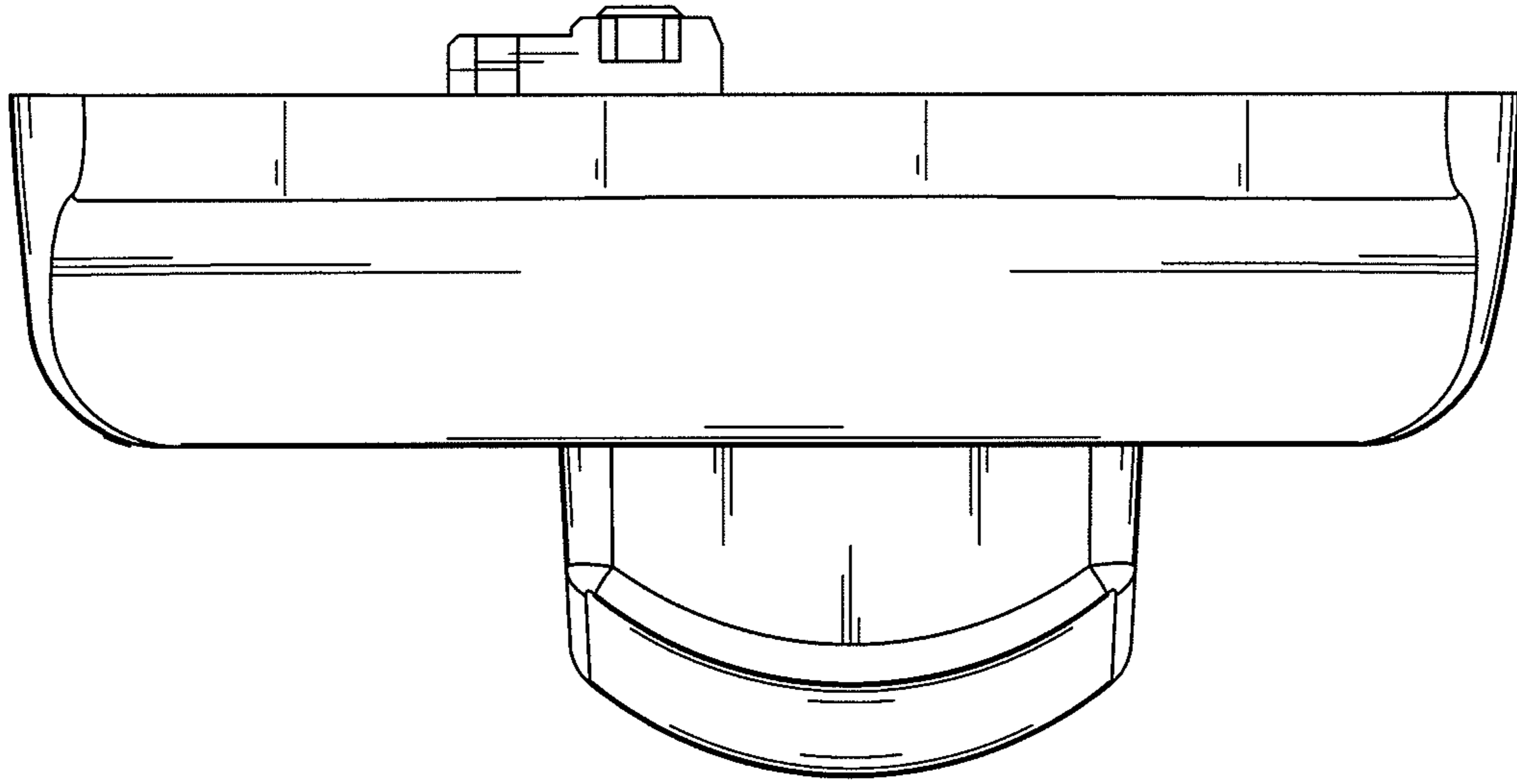




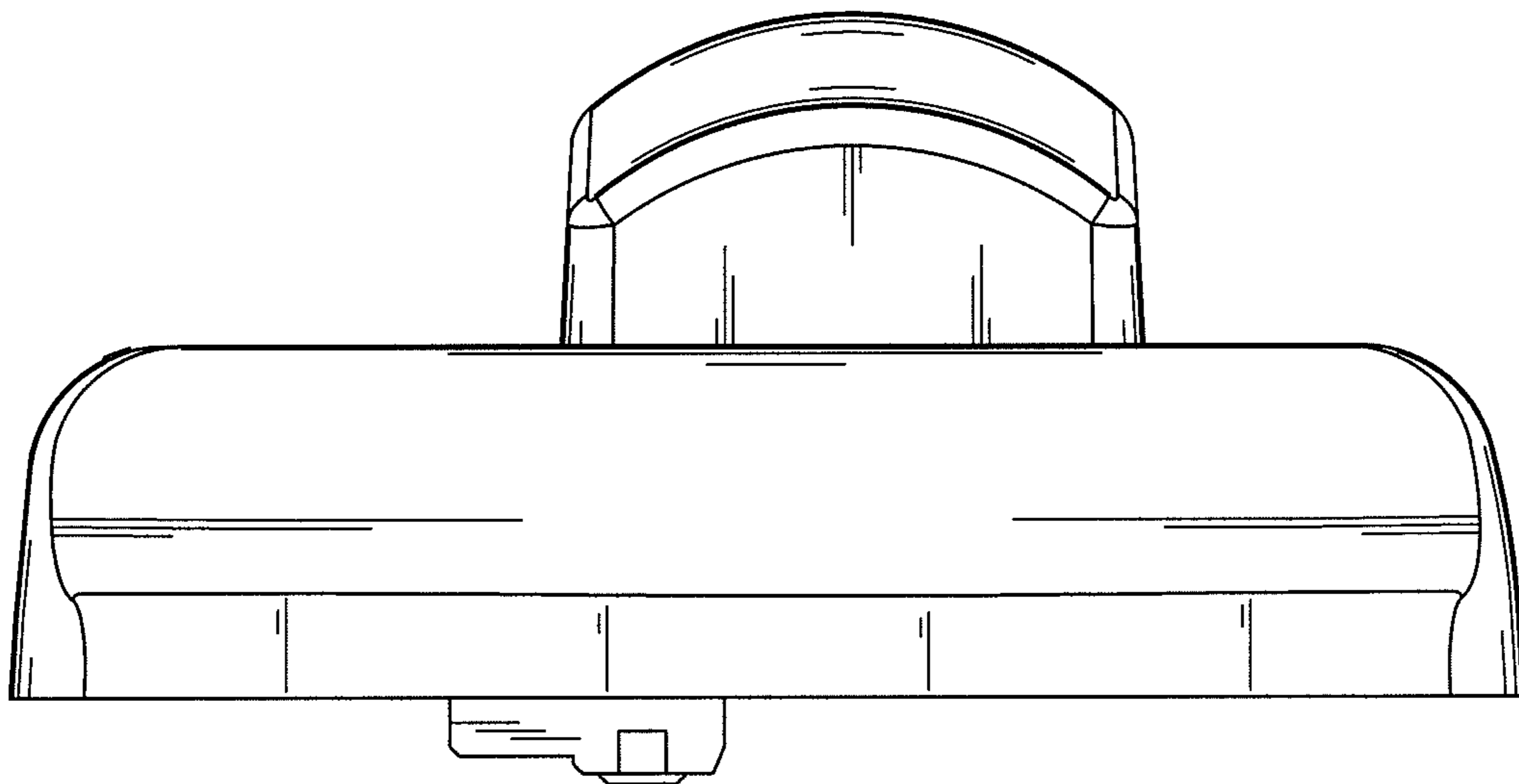
*FIG. 1*



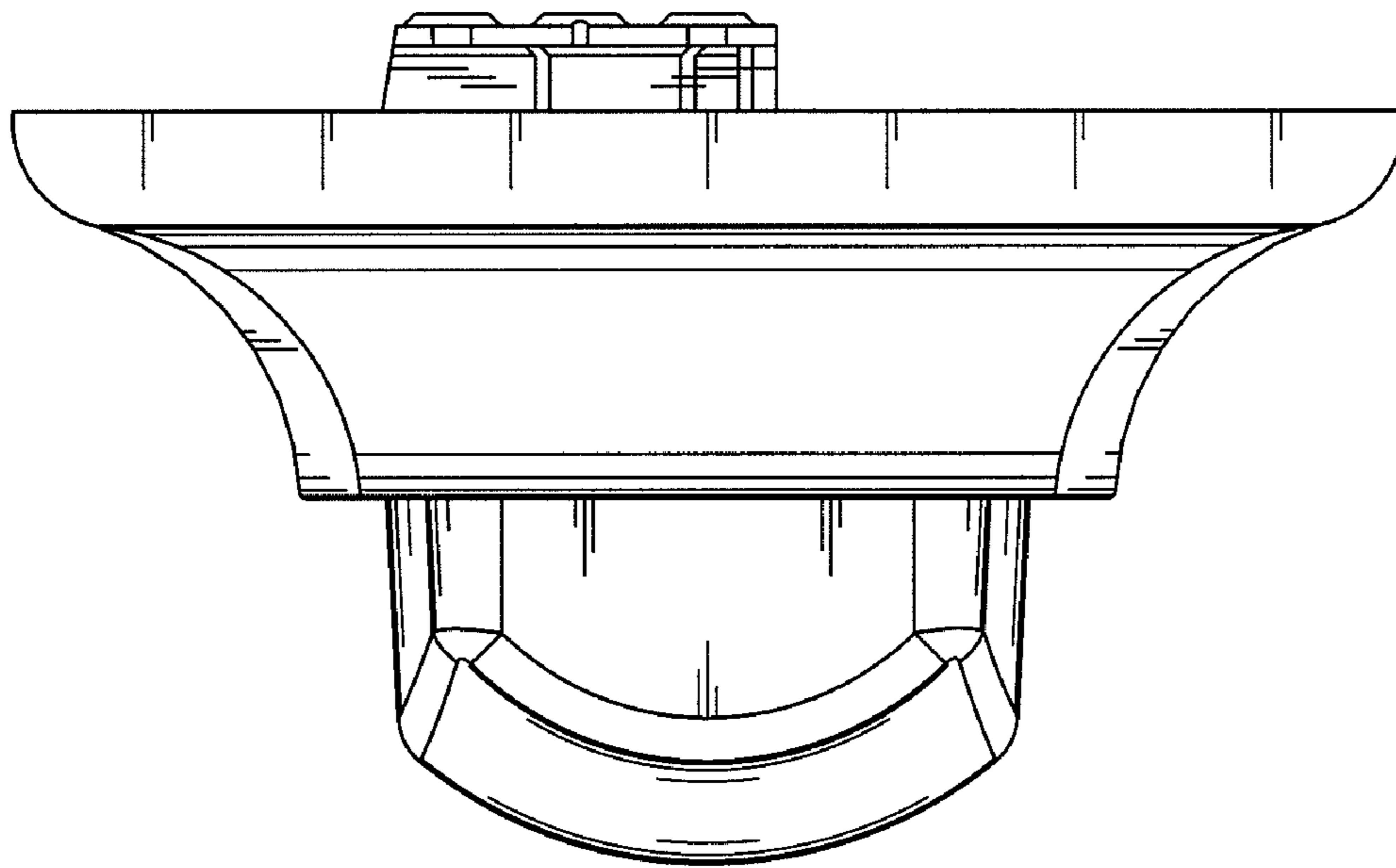
*FIG. 2*



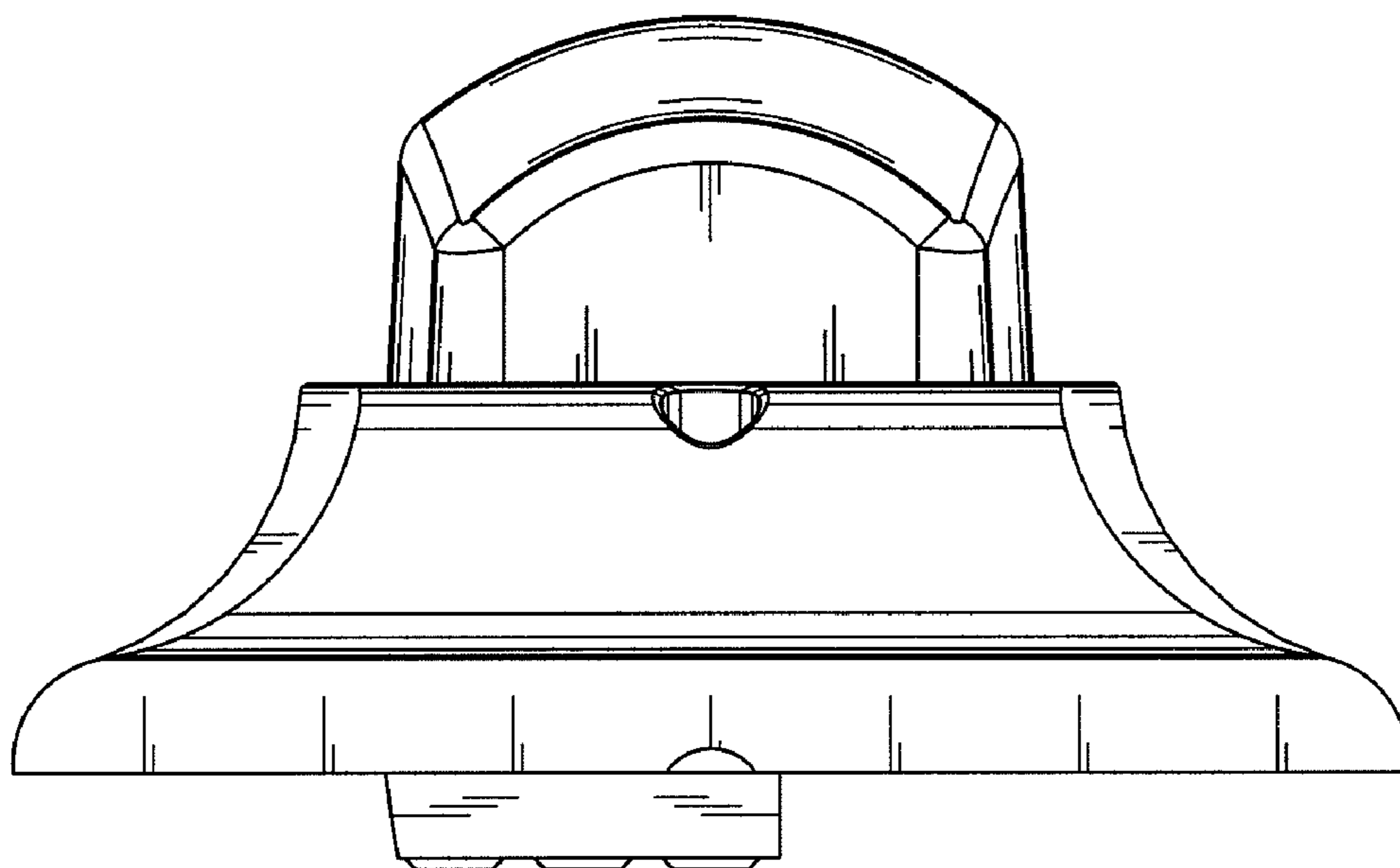
*FIG. 4*



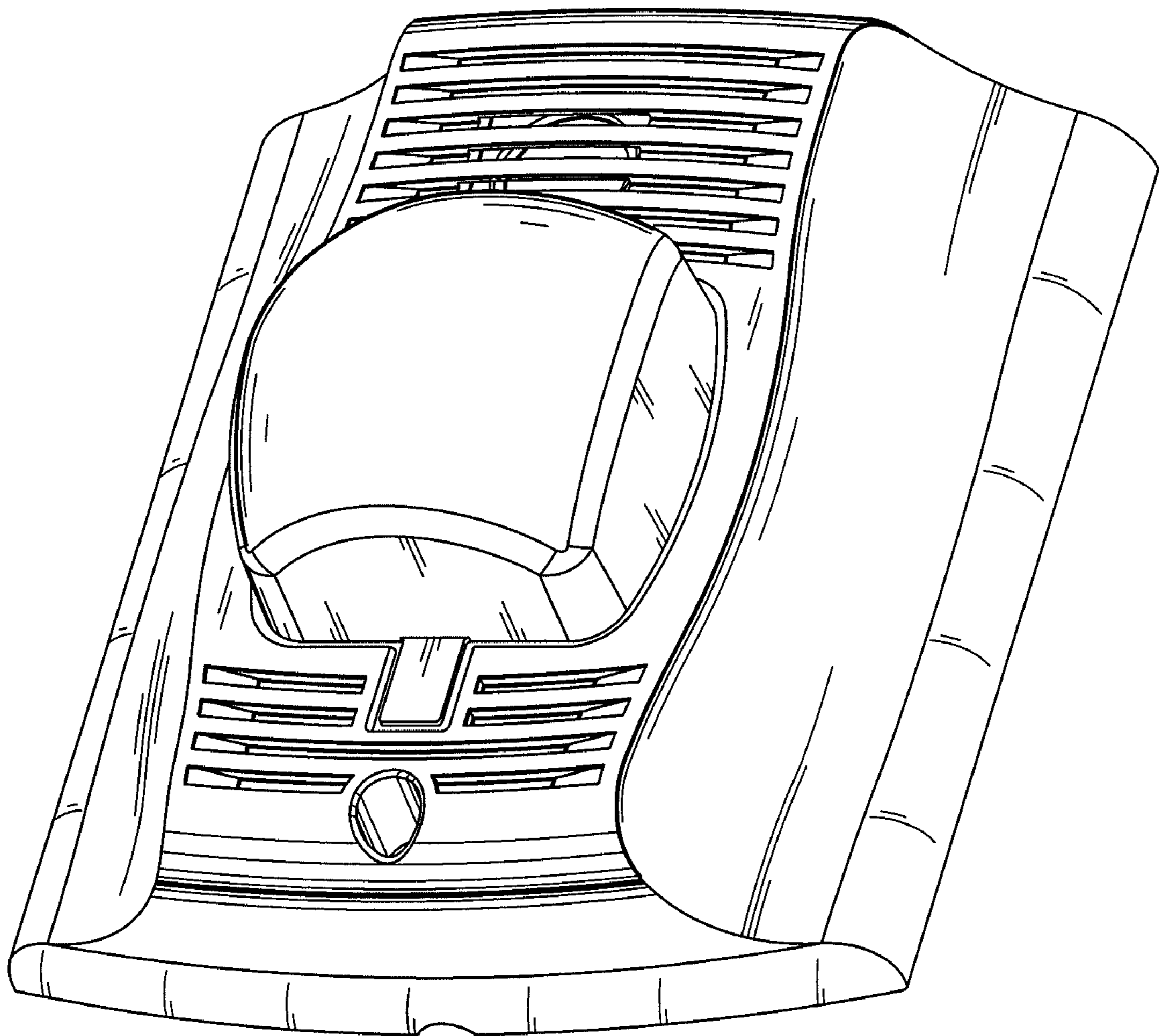
*FIG. 3*



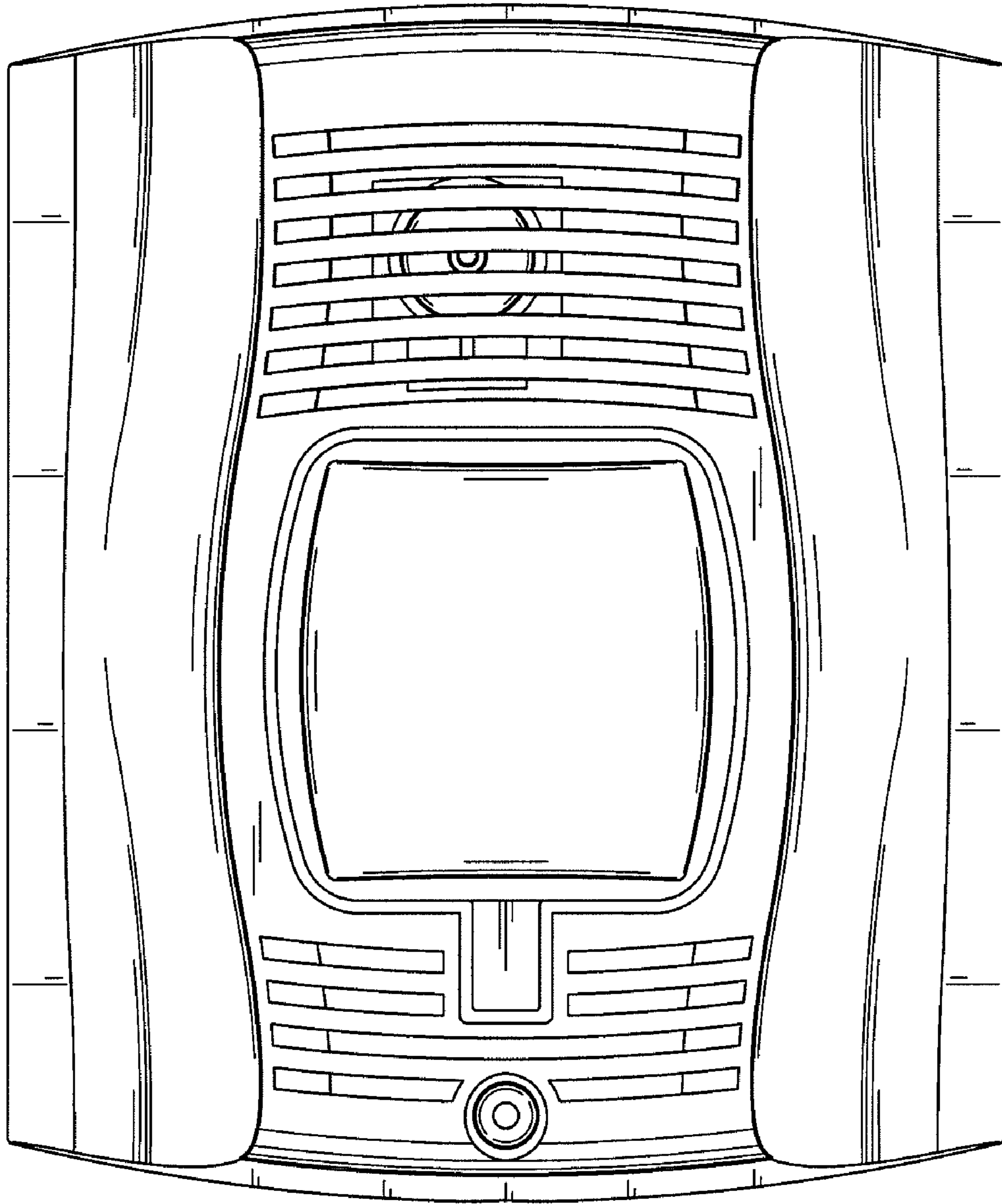
*FIG. 5*



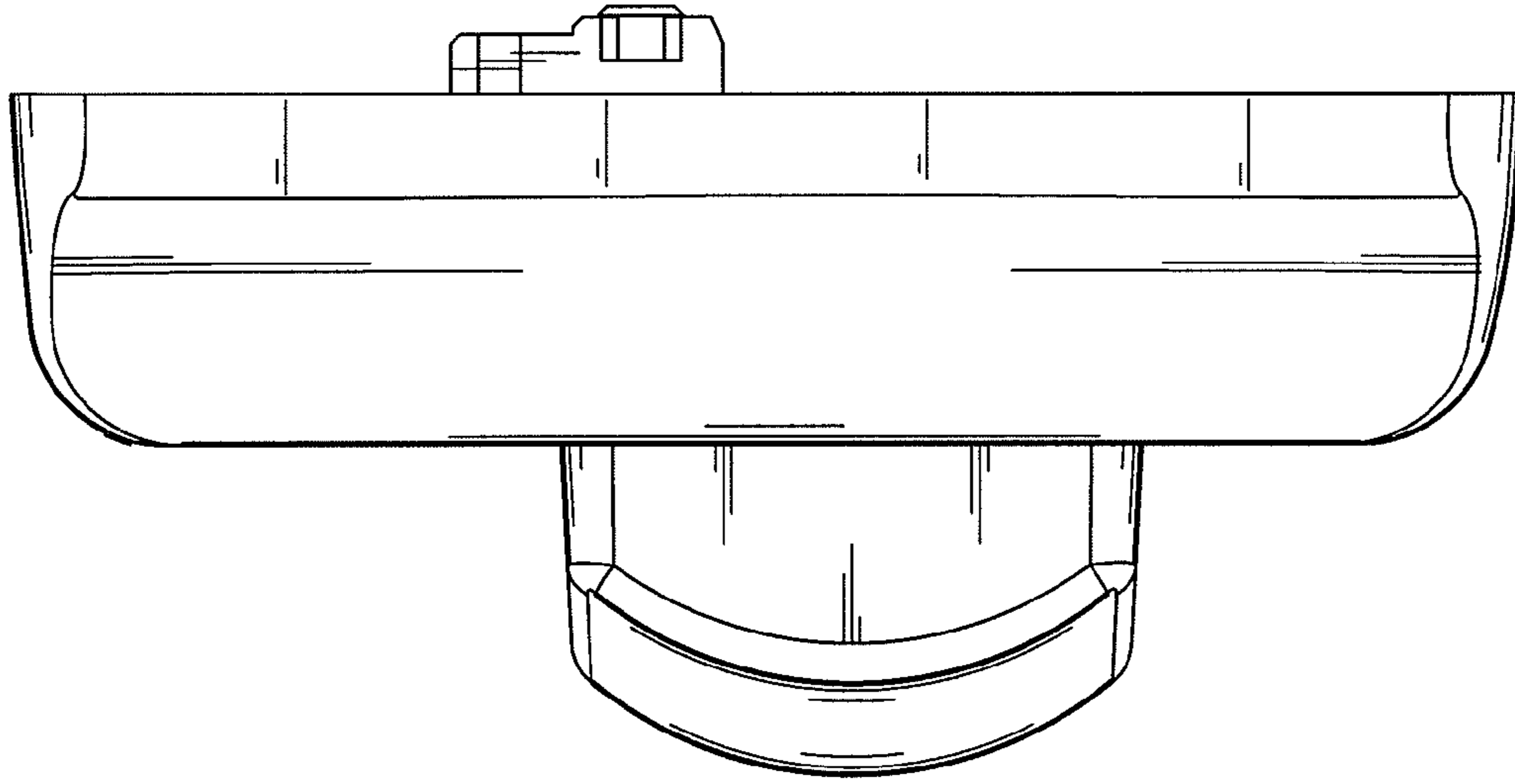
*FIG. 6*



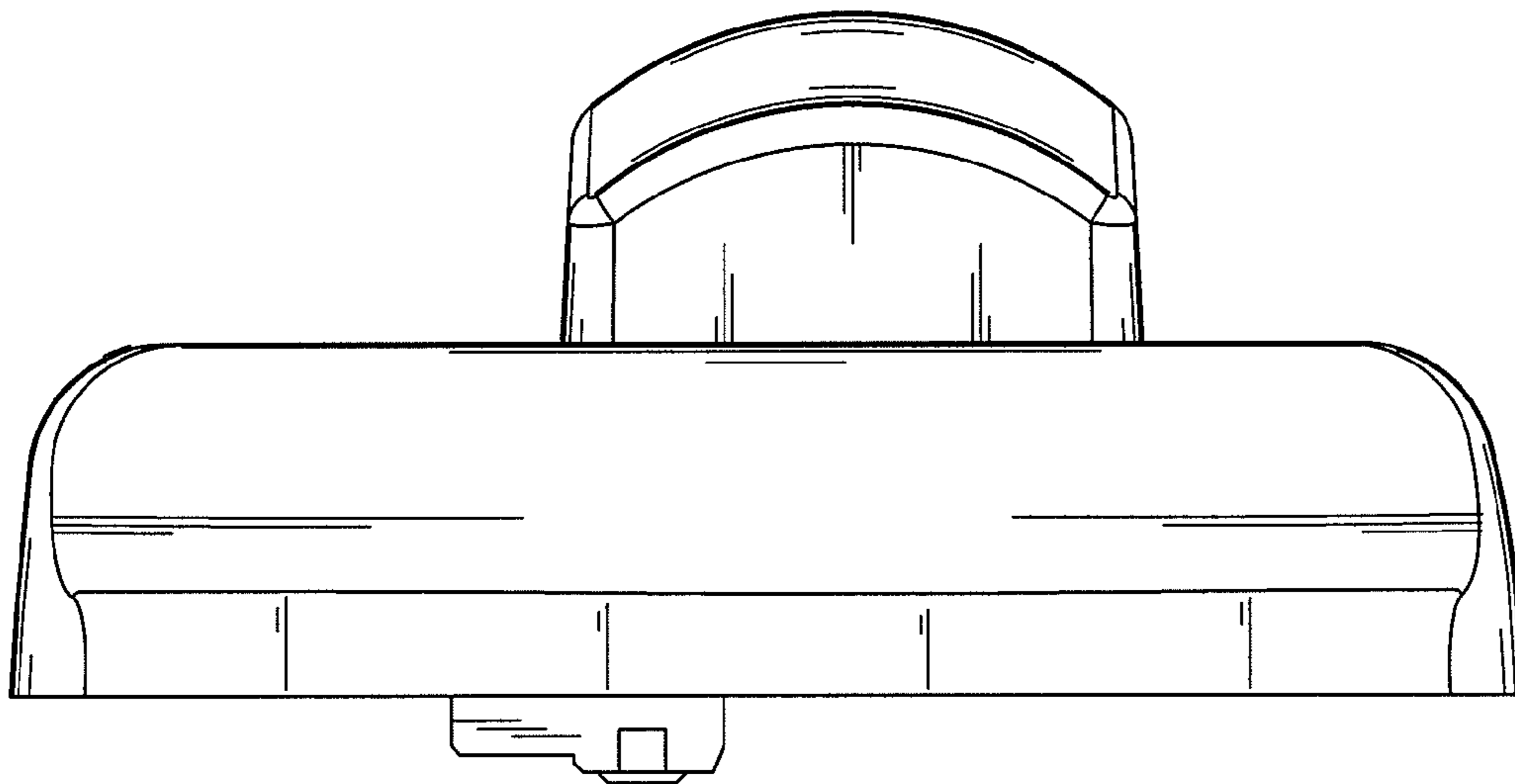
*FIG. 7*



*FIG. 8*

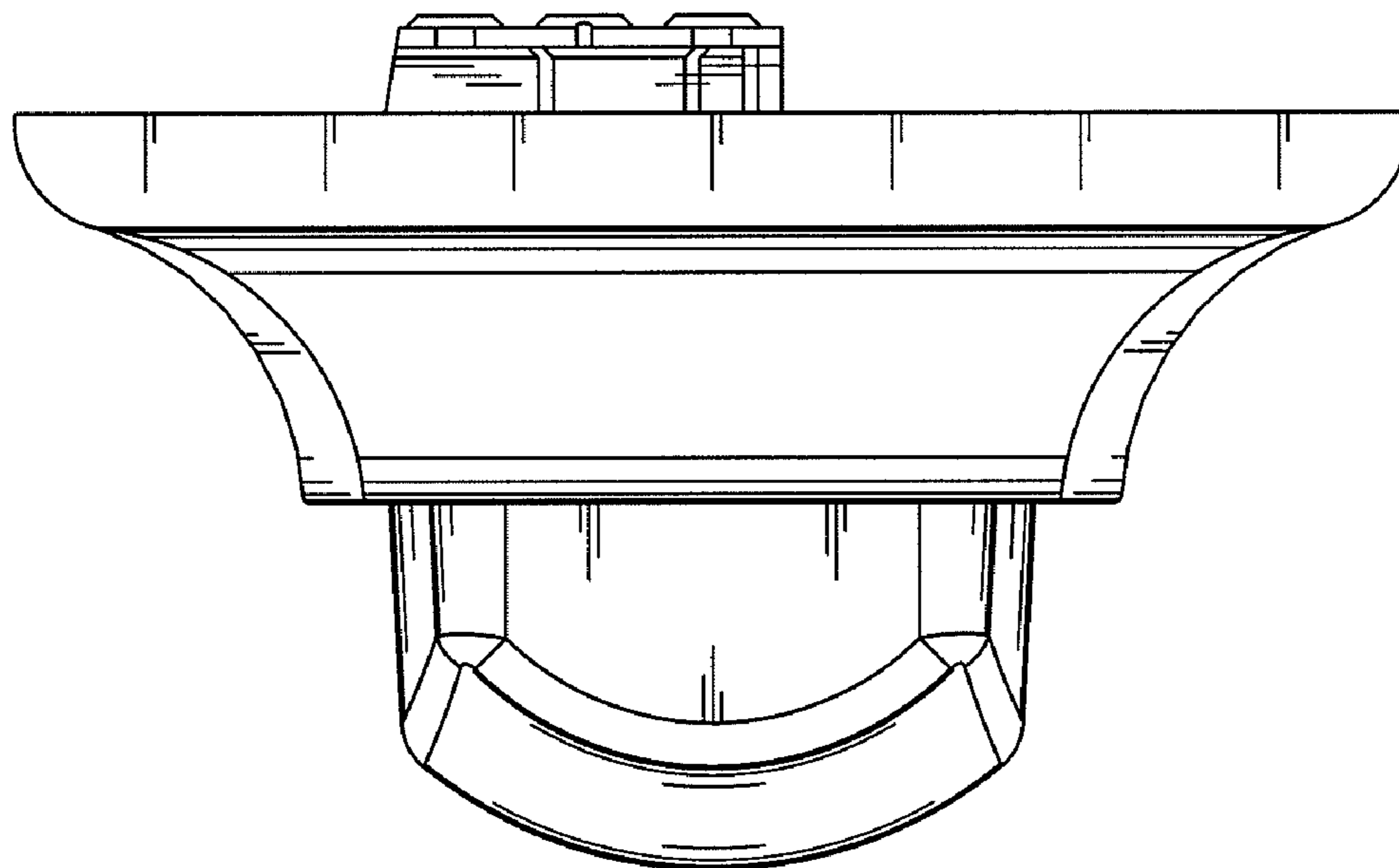


*FIG. 10*

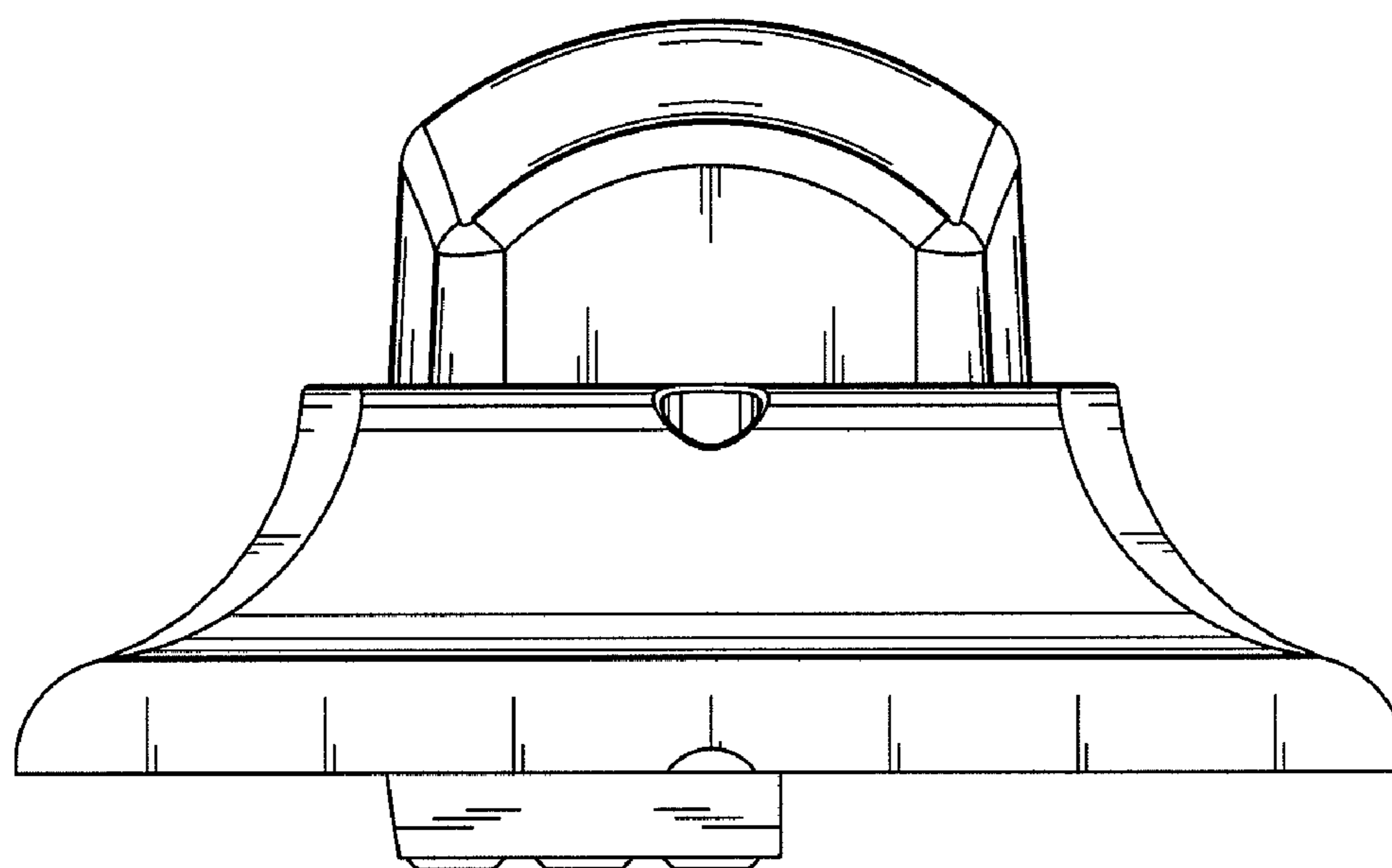


*FIG. 9*





*FIG. 11*



*FIG. 12*