

US00D568193S

(12) **United States Design Patent**
Frawley et al.

(10) **Patent No.:** **US D568,193 S**

(45) **Date of Patent:** **** May 6, 2008**

(54) **HOUSING FOR A DUCT SMOKE DETECTOR**

(75) Inventors: **Lanny J. Frawley**, St. Charles, IL (US); **Andrew A. Kuester**, South Elgin, IL (US); **Zoltan Borbath**, Lombard, IL (US); **Maura D. Adamczyk**, St. Charles, IL (US); **William A. Macpherson, III**, Wasco, IL (US)

(73) Assignee: **Honeywell International, Inc.**, Morristown, NJ (US)

(**) Term: **14 Years**

(21) Appl. No.: **29/277,082**

(22) Filed: **Feb. 13, 2007**

(51) **LOC (8) Cl.** **10-05**

(52) **U.S. Cl.** **D10/104; D10/106**

(58) **Field of Classification Search** D10/104, D10/106, 116, 121; D13/168; D11/125; 340/521, 540-545, 555, 558, 571-573; 116/112; 73/198, 861.87, 861.77; 250/231.16
See application file for complete search history.

(56) **References Cited**

U.S. PATENT DOCUMENTS

4,758,827	A *	7/1988	Powers	340/691.7
D368,041	S *	3/1996	Skog	D10/106
5,844,148	A *	12/1998	Klein et al.	73/863.82
6,897,774	B2	5/2005	Costa		
D553,529	S *	10/2007	Sahibzada et al.	D10/106
2007/0111572	A1 *	5/2007	Frawley et al.	439/165
2007/0182574	A1 *	8/2007	Dzurko et al.	340/632
2007/0285264	A1 *	12/2007	Cole	340/630

* cited by examiner

Primary Examiner—Robert M. Spear
Assistant Examiner—George D Kirschbaum
(74) *Attorney, Agent, or Firm*—Welsh & Katz, Ltd.

(57) **CLAIM**

The ornamental design for a housing for a duct smoke detector, as shown and described.

DESCRIPTION

FIG. 1 is a front perspective view of housing for a duct smoke detector showing our new design;

FIG. 2 is a front elevational view thereof;

FIG. 3 is a rear elevational view thereof;

FIG. 4 is a side elevational view thereof;

FIG. 5 is an side elevational view showing the opposite side thereof;

FIG. 6 is a top plan view thereof;

FIG. 7 is a front perspective view of our design shown in an alternate position;

FIG. 8 is a front elevational view thereof;

FIG. 9 is a rear elevational view thereof;

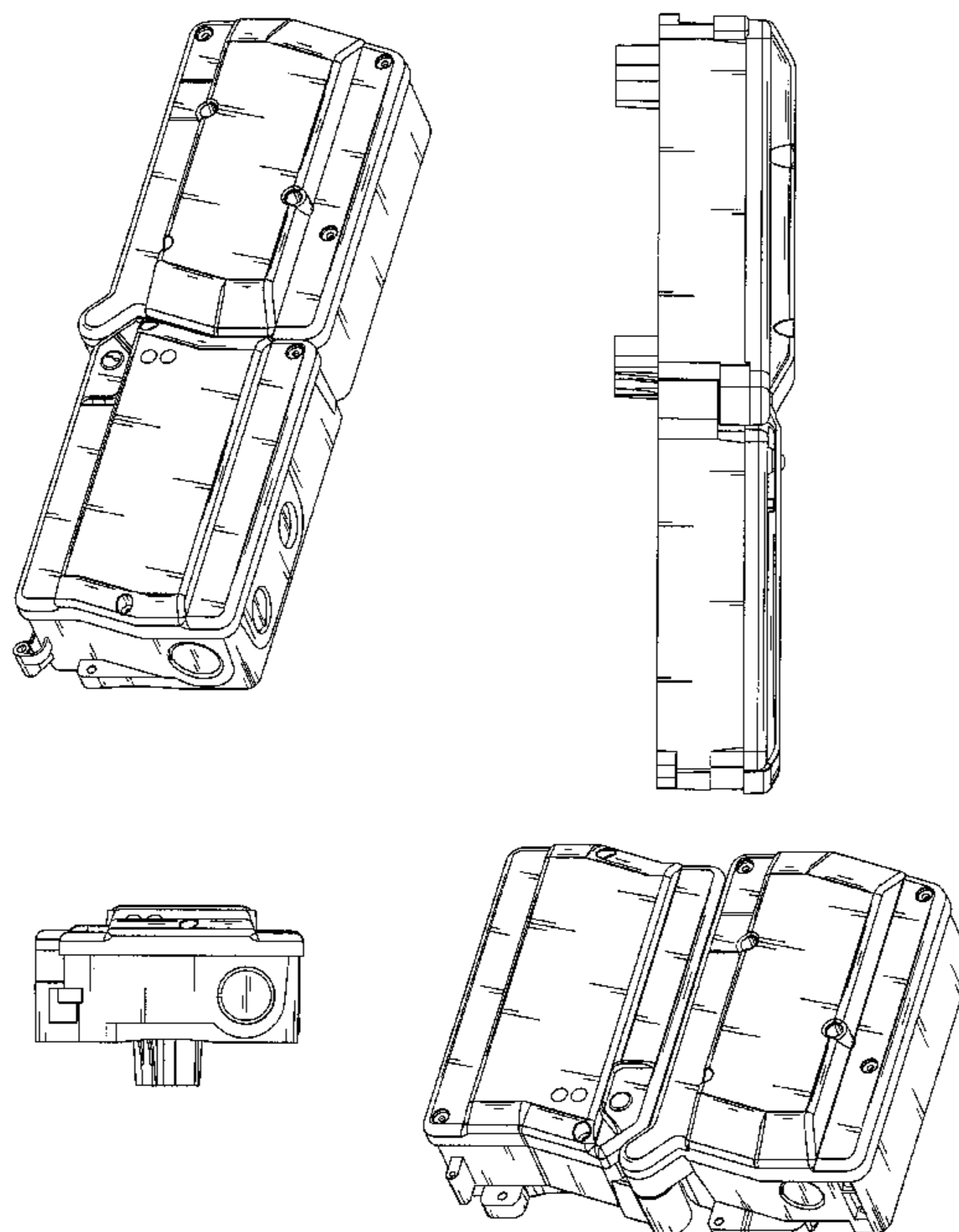
FIG. 10 is a side elevational view thereof;

FIG. 11 is an elevational view showing the opposite side thereof; and,

FIG. 12 is top plan view of thereof.

The rear views of the above-described embodiments have not been illustrated. They are unadorned and not part of the invention.

1 Claim, 8 Drawing Sheets



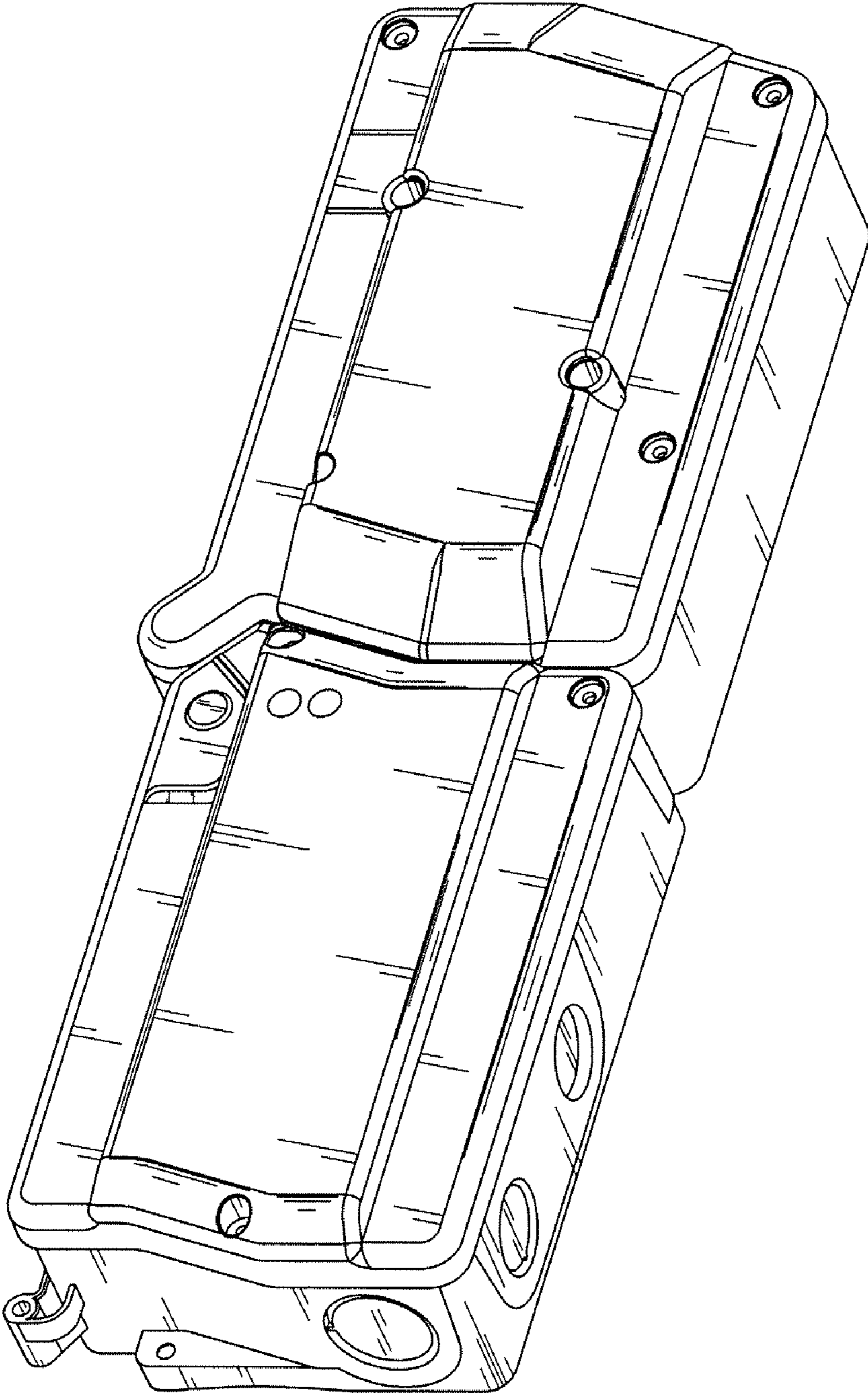


FIG. 1

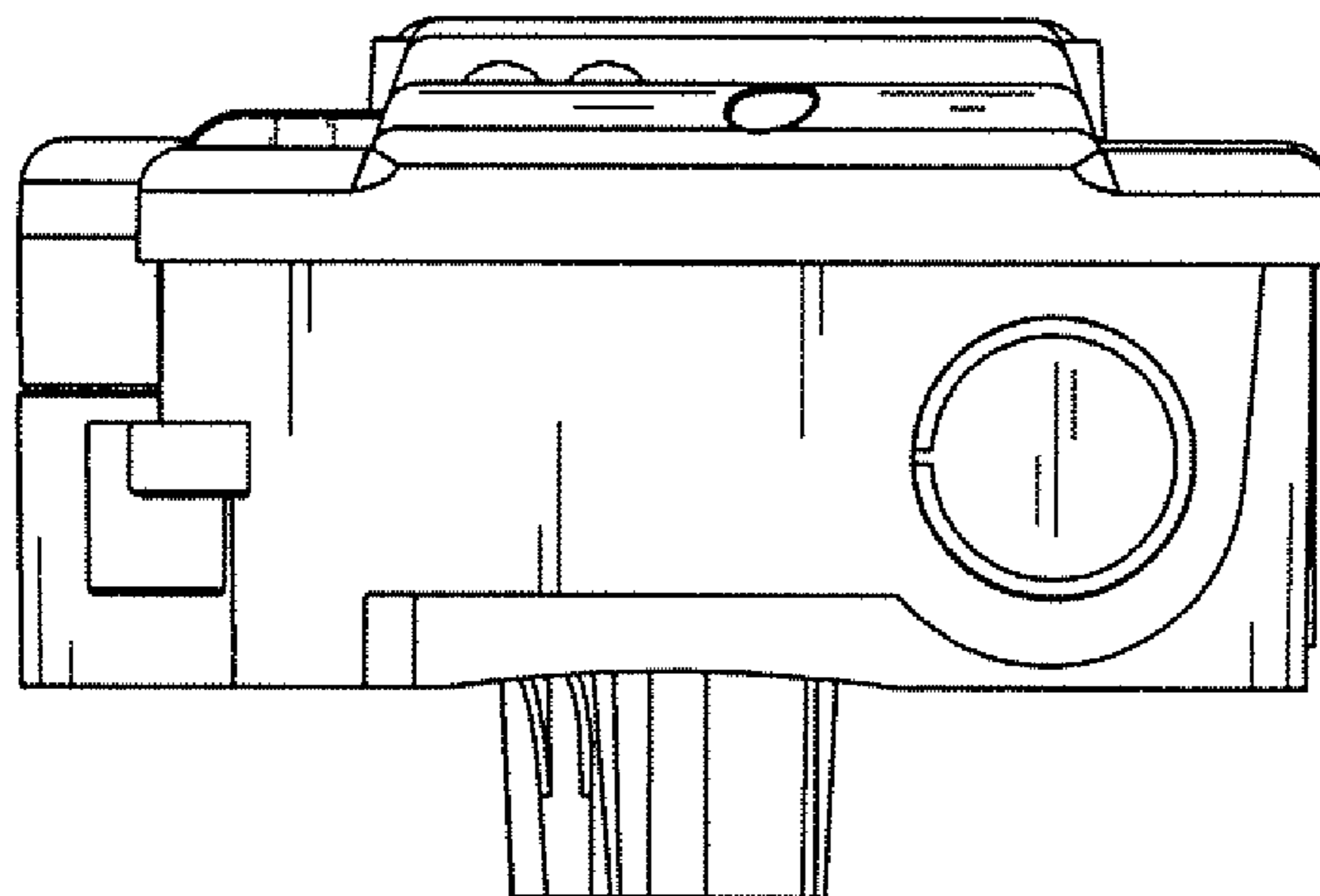


FIG. 2

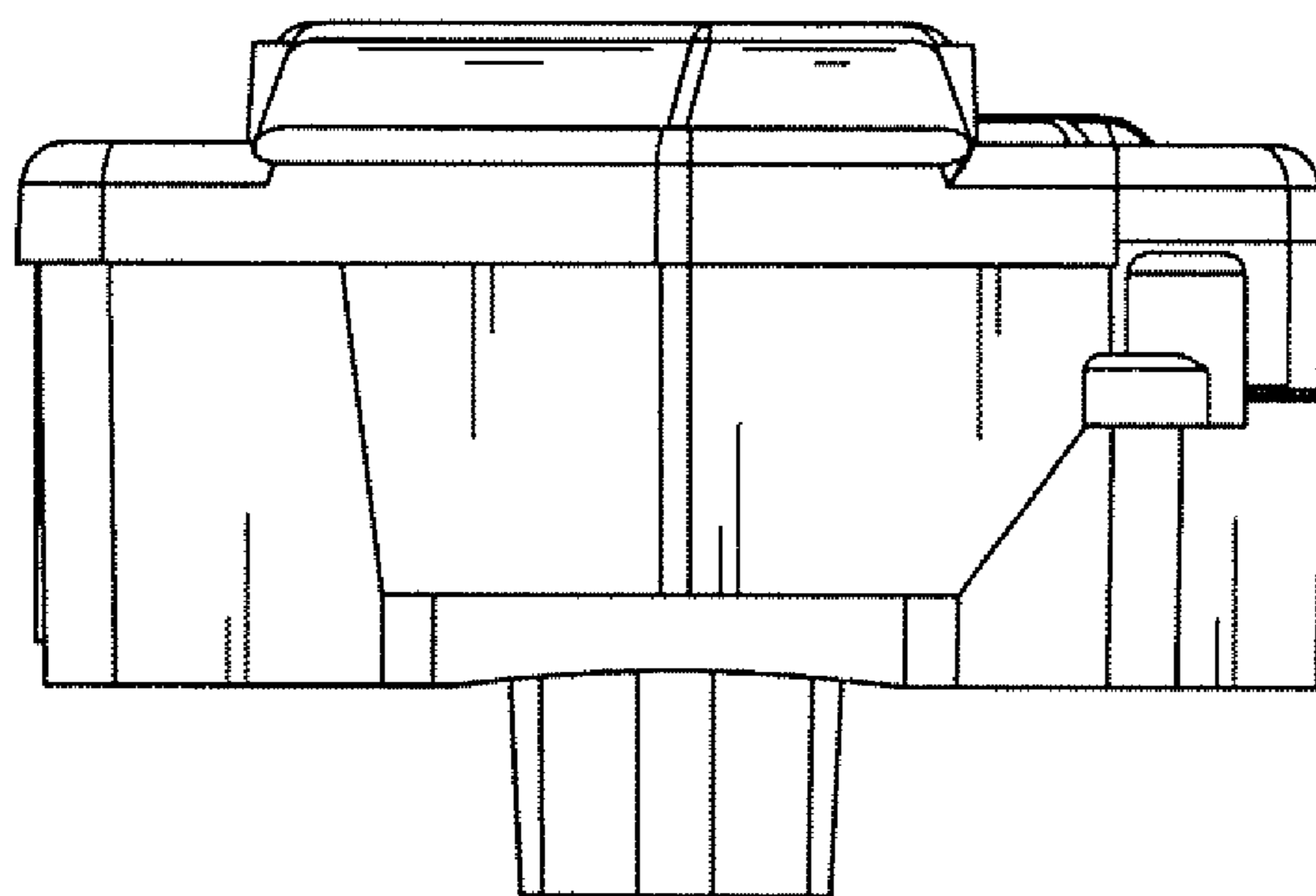


FIG. 3

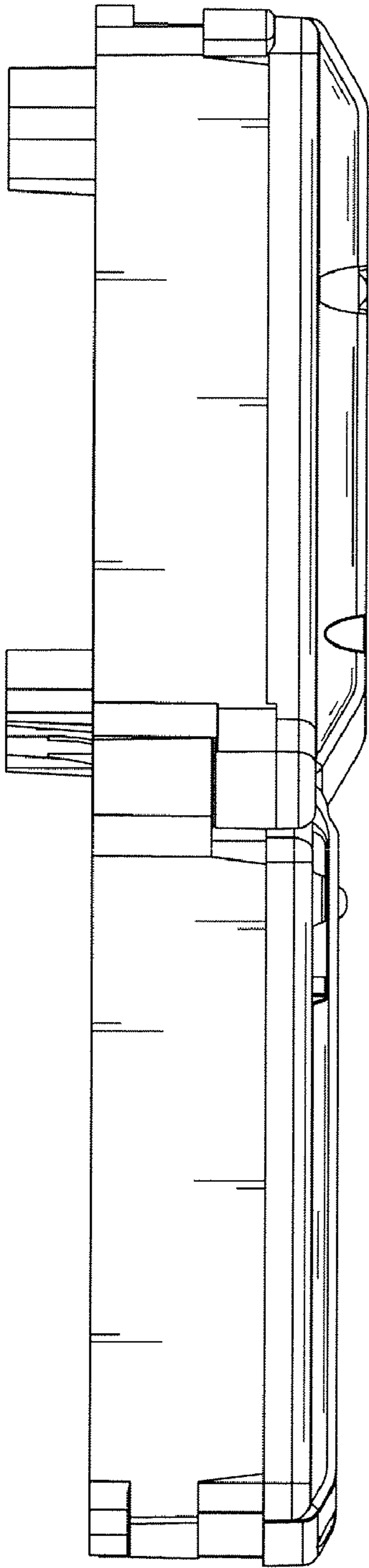


FIG. 4

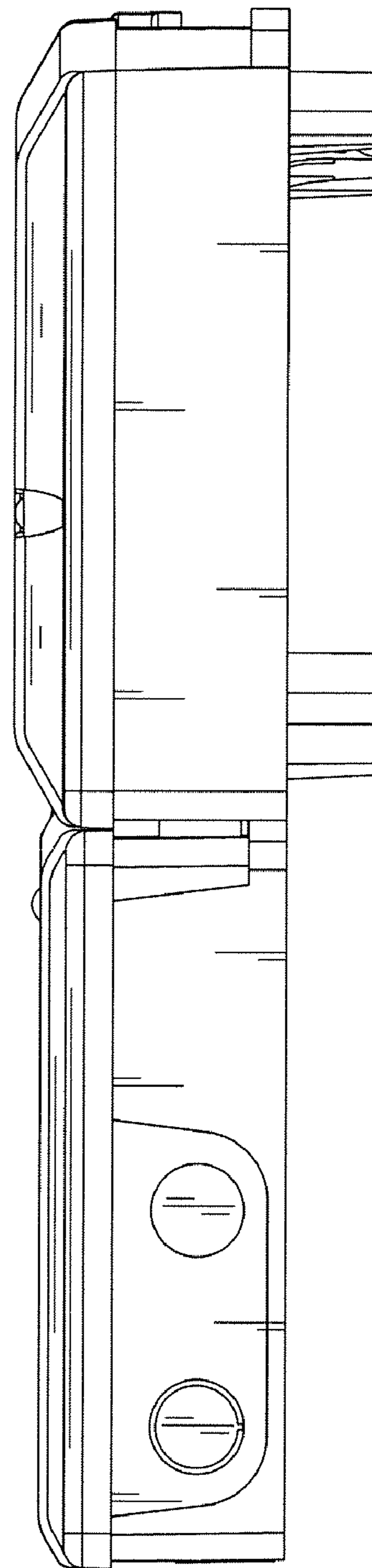


FIG. 5

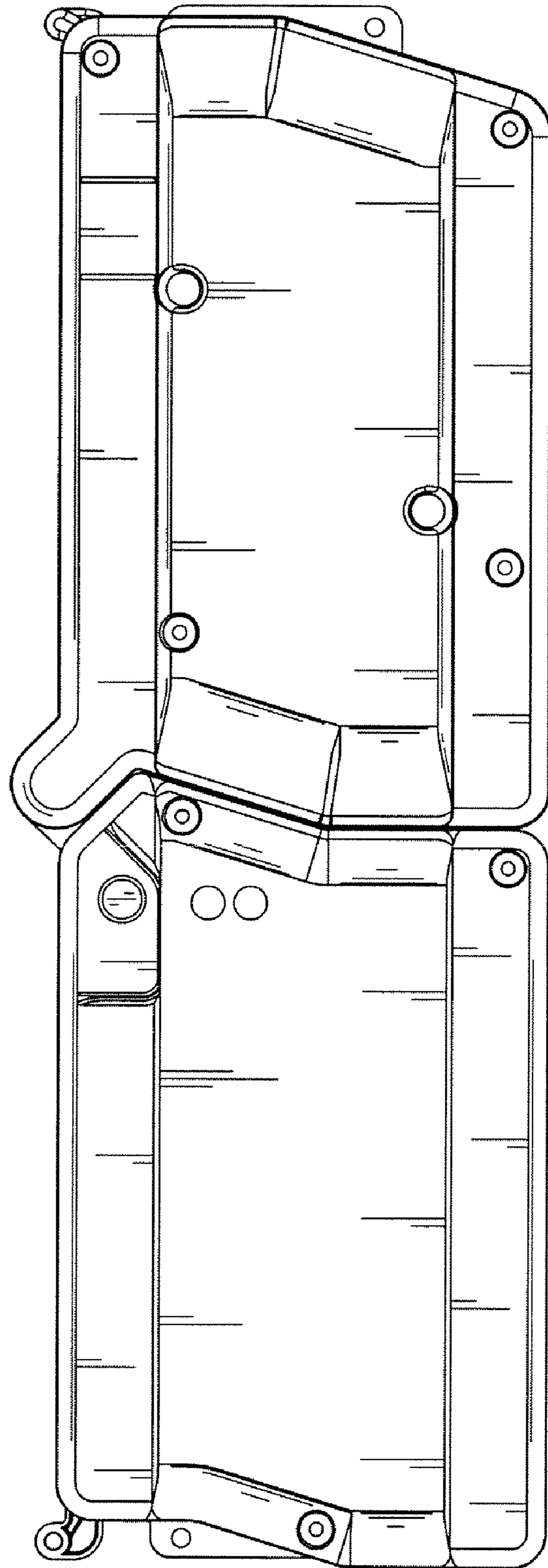


FIG. 6

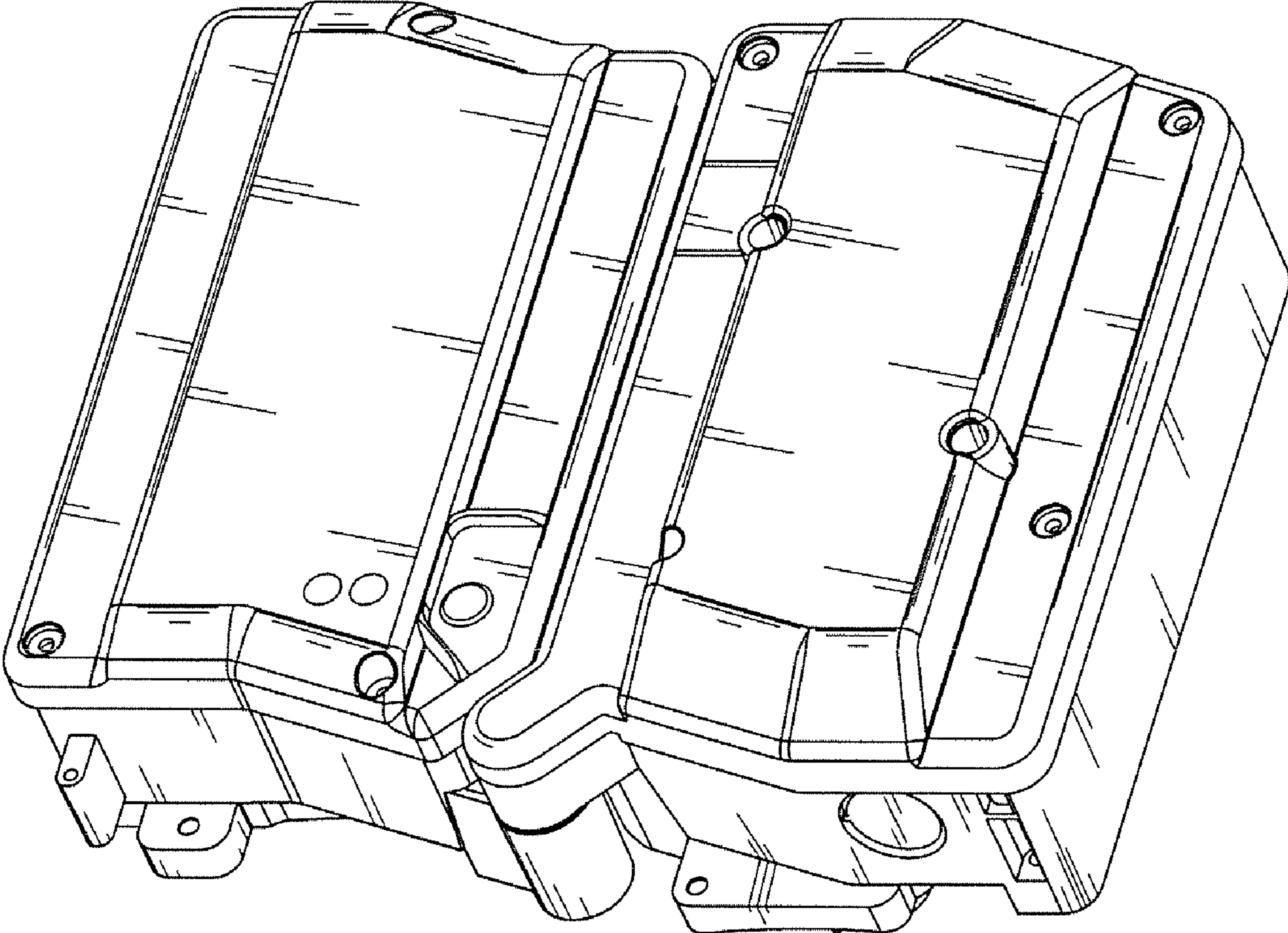


FIG. 7

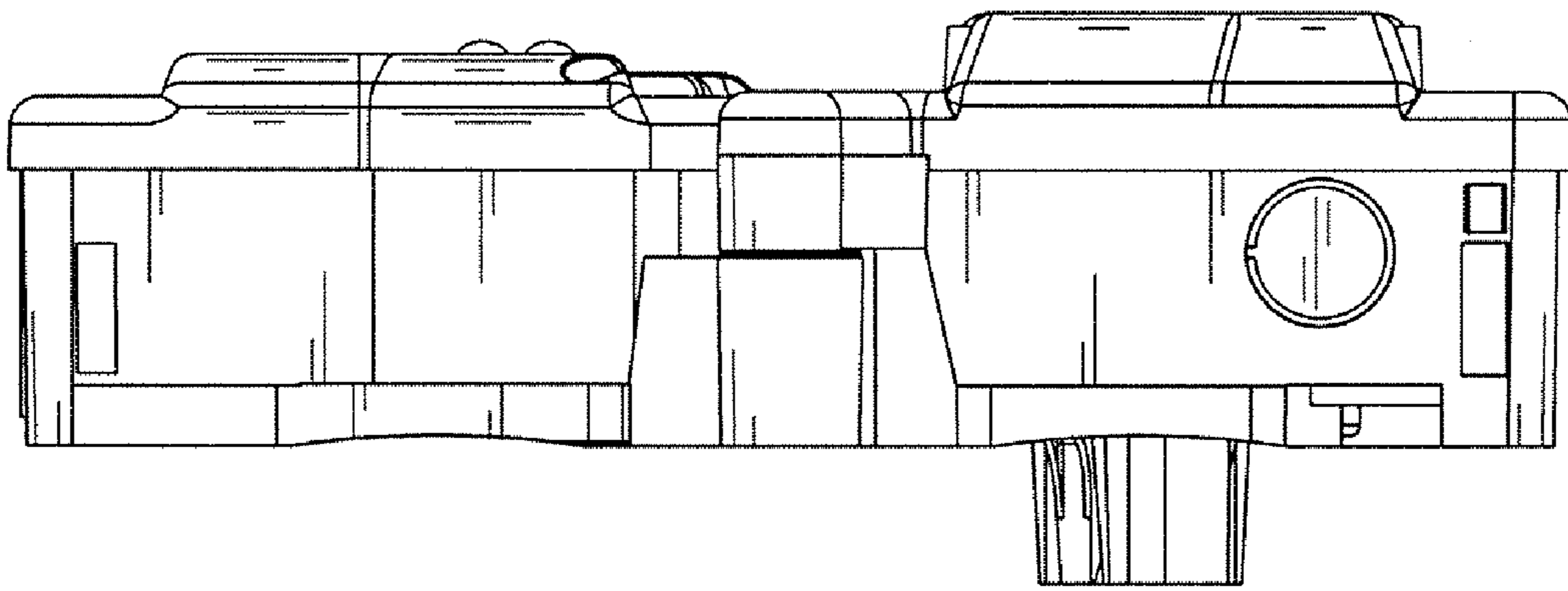


FIG. 8

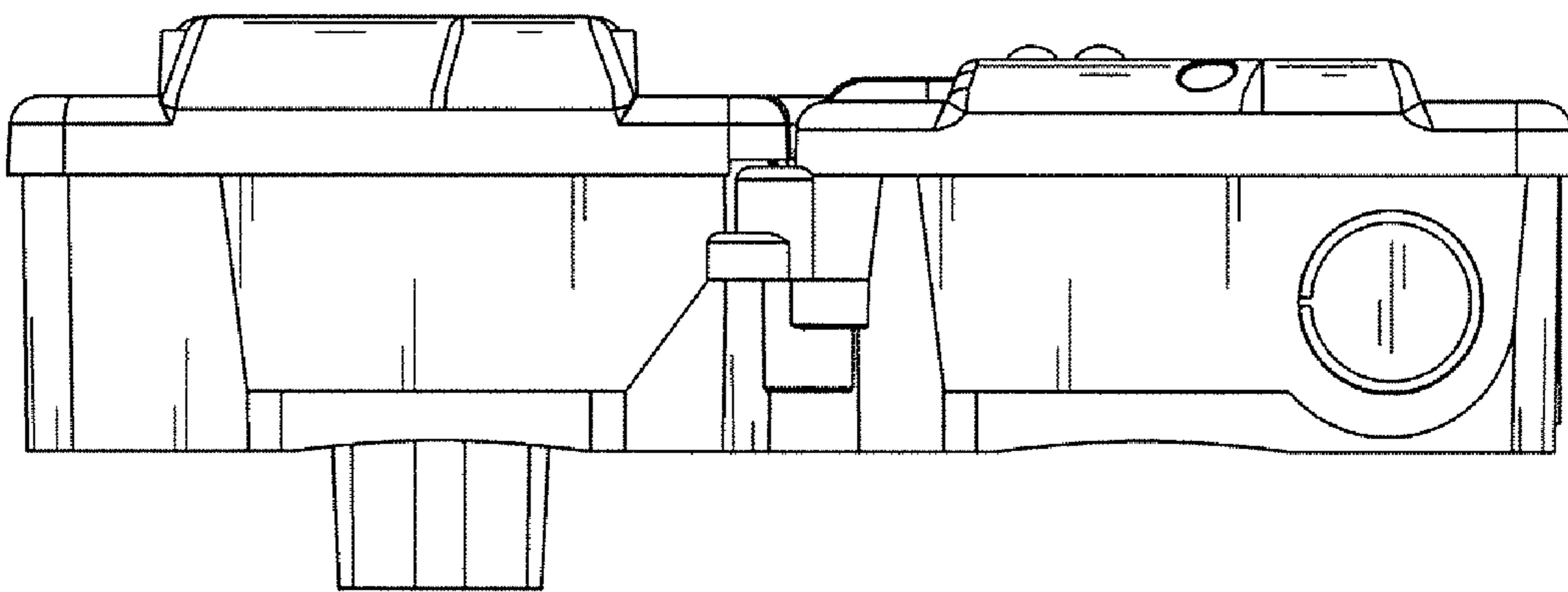


FIG. 9

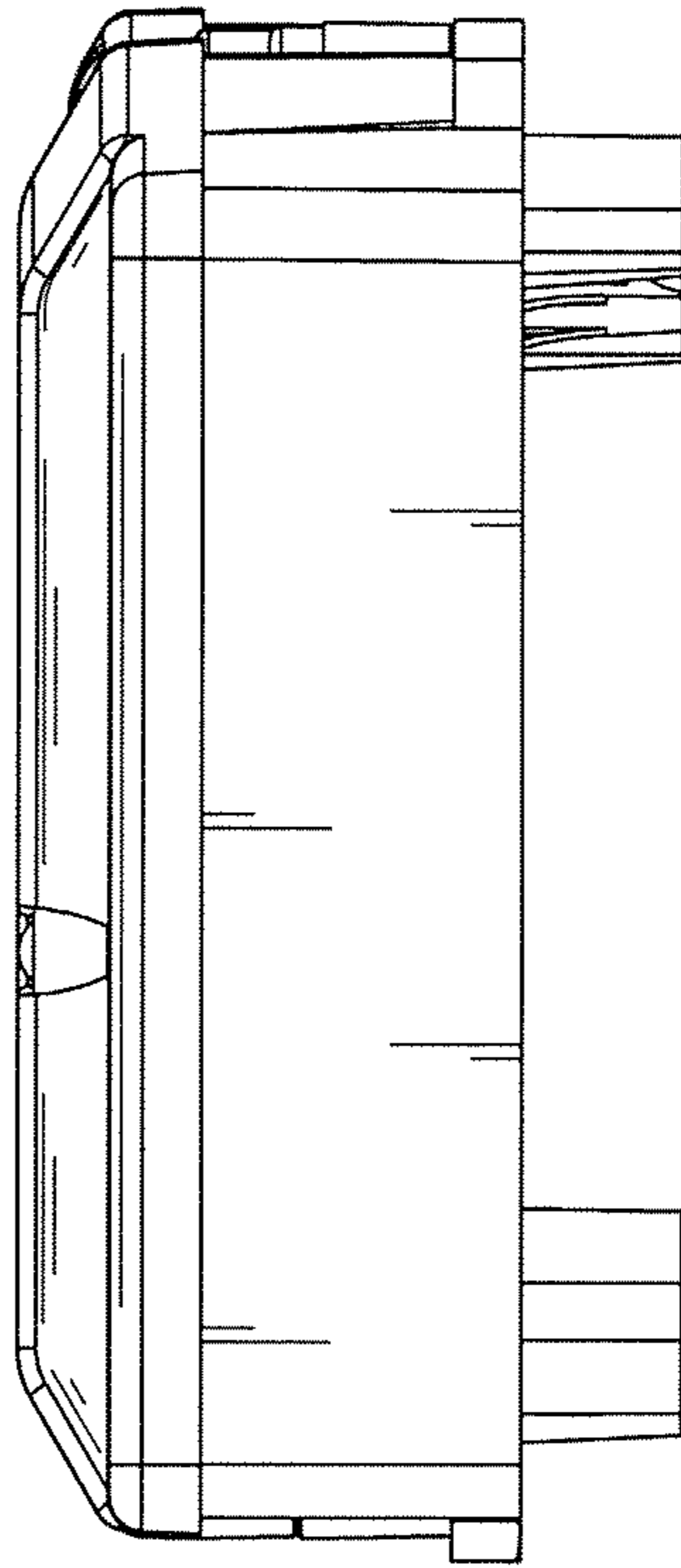


FIG. 11

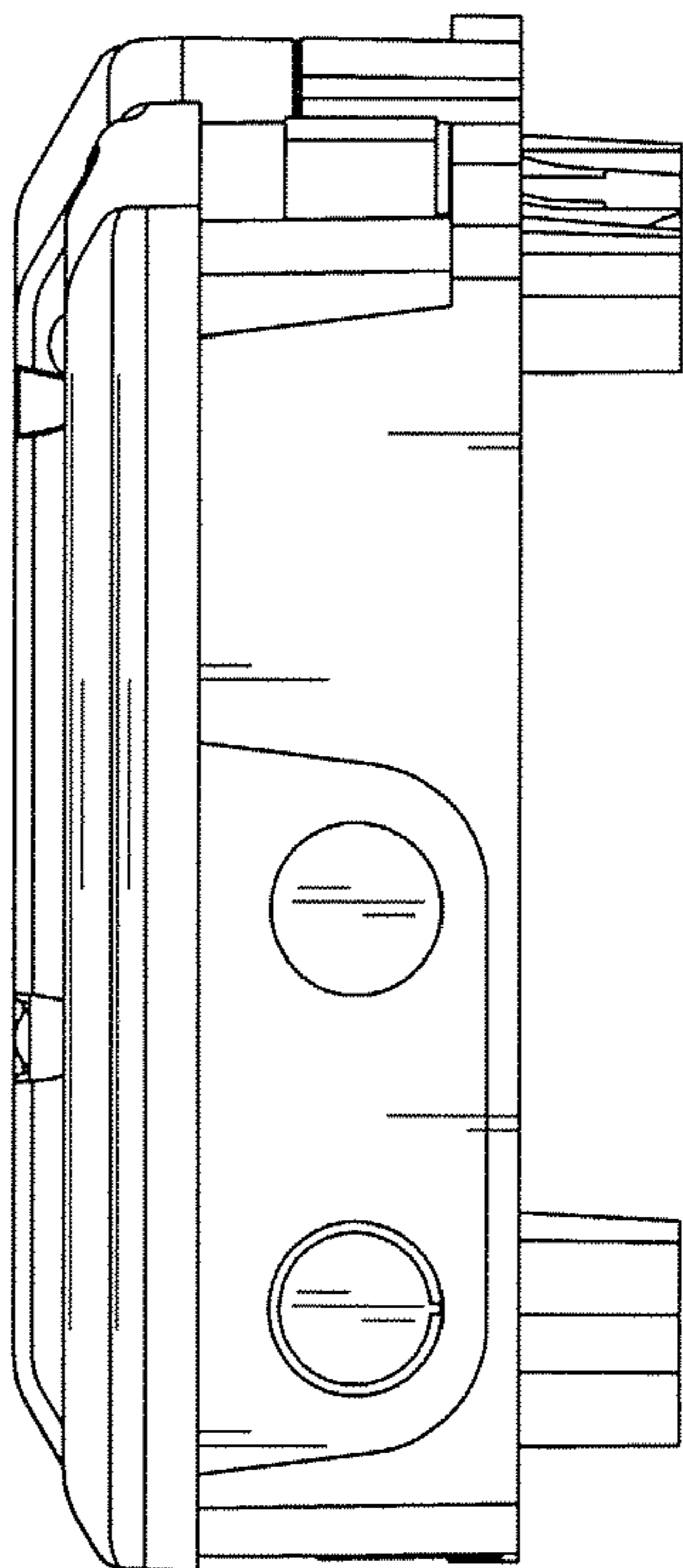


FIG. 10

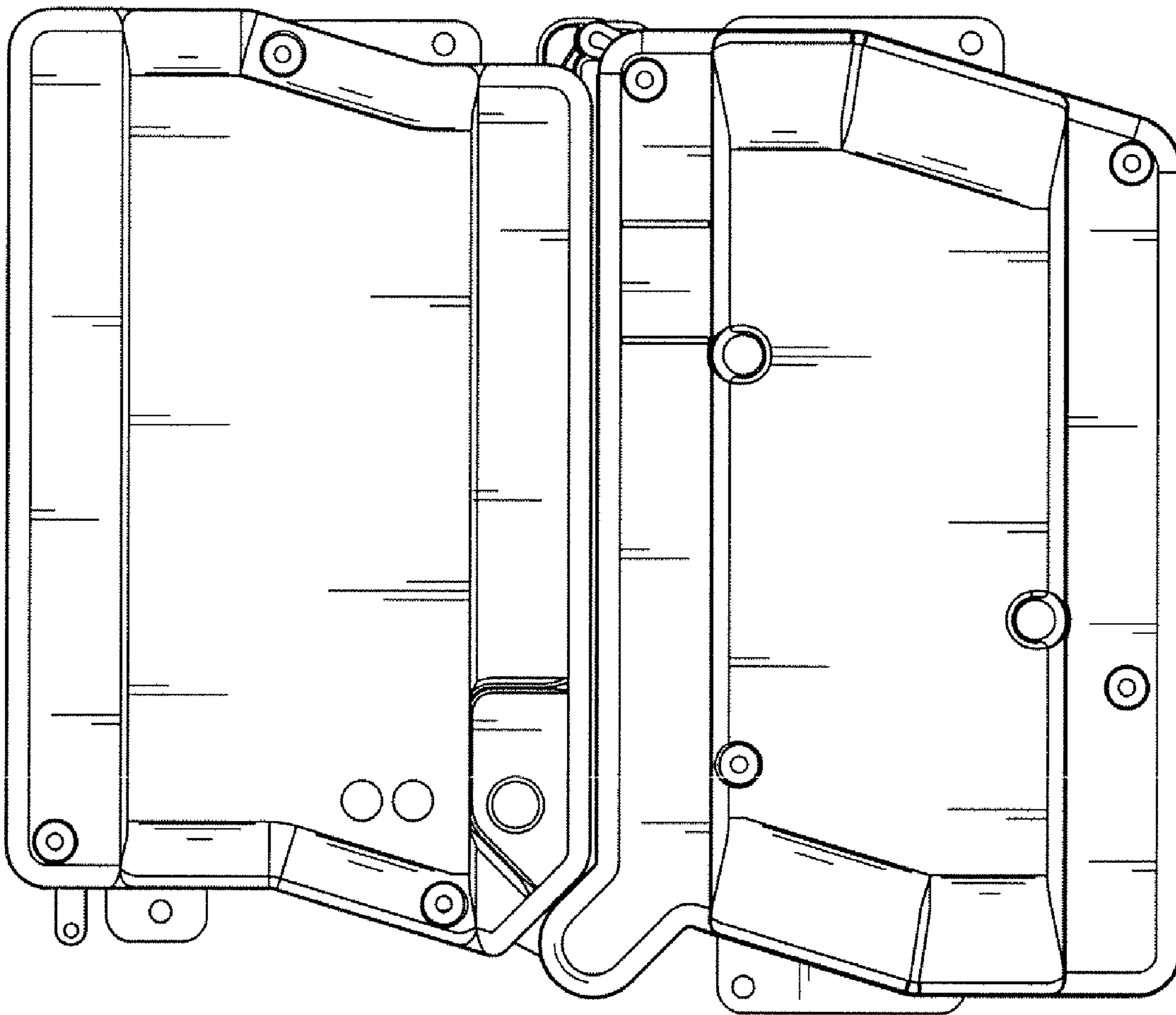


FIG. 12