

US00D568192S

(12) **United States Design Patent**
Rim

(10) **Patent No.:** **US D568,192 S**

(45) **Date of Patent:** **** May 6, 2008**

(54) **APERTURE FOR A RADAR DETECTOR**

(75) **Inventor:** **Gun-Sub Rim**, 2F, 219-3, Anyang
7-Dong, Manan-Ku, Anyang-city,
Kyungki-Do (KR)

(73) **Assignee:** **Gun-Sub Rim** (KR)

(**) **Term:** **14 Years**

(21) **Appl. No.:** **29/211,972**

(22) **Filed:** **Aug. 24, 2004**

(51) **LOC (8) Cl.** **10-05**

(52) **U.S. Cl.** **D10/104**

(58) **Field of Classification Search** D10/121,
D10/106, 104, 103; D14/257, 258; 425/422;
342/20; 340/937, 936, 933, 466, 463; 701/93
See application file for complete search history.

(56) **References Cited**

U.S. PATENT DOCUMENTS

D215,978 S	*	11/1969	Berns	D10/120
D226,137 S	*	1/1973	Selsby	D10/121
4,221,380 A	*	9/1980	Miller et al.	40/538
D264,450 S	*	5/1982	Smith, Jr.	D10/106
D311,924 S	*	11/1990	Loyd et al.	D16/203
D338,841 S	*	8/1993	Davis et al.	D10/104

D347,442 S	*	5/1994	Falconer	D16/203
D450,007 S	*	11/2001	Volanski et al.	D10/104
6,891,513 B2	*	5/2005	Kienzle et al.	343/766
D527,404 S	*	8/2006	Brickzin	D16/203
2005/0121579 A1	*	6/2005	Rim et al.	248/288.11

* cited by examiner

Primary Examiner—Cathron C. Brooks

Assistant Examiner—Austin Murphy

(74) *Attorney, Agent, or Firm*—Ditthavong Mori & Steiner,
P.C.

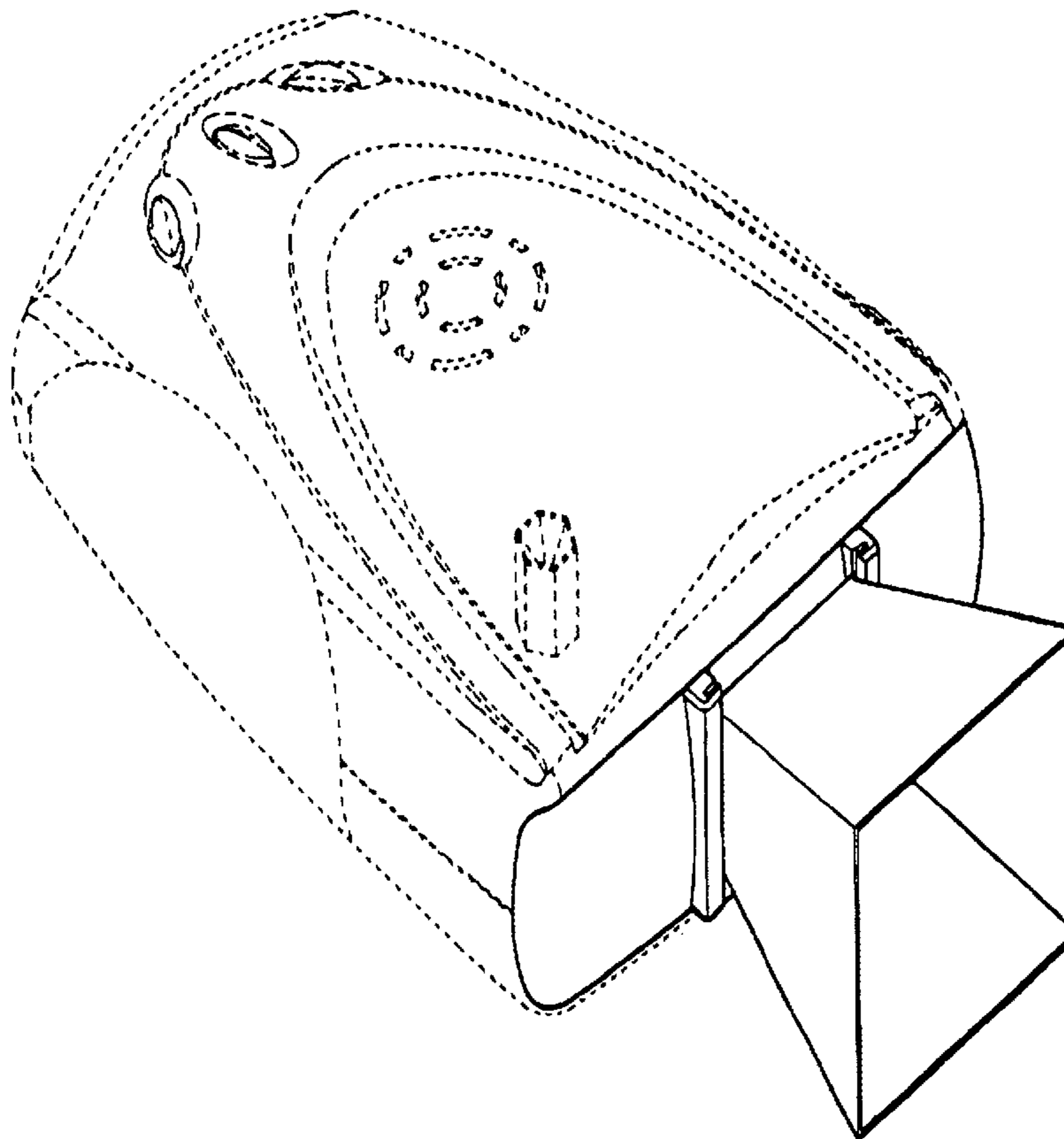
(57) **CLAIM**

The ornamental design for an aperture of a radar detector, as shown and described.

DESCRIPTION

FIG. 1 is a front and top left perspective view of an aperture of a radar detector;
FIG. 2 is a front view thereof;
FIG. 3 is a rear view thereof;
FIG. 4 is a left side view thereof;
FIG. 5 is a right side view thereof;
FIG. 6 is a top view thereof; and,
FIG. 7 is a bottom view thereof.
The broken lines shown the drawings form no part of the claimed design.

1 Claim, 4 Drawing Sheets



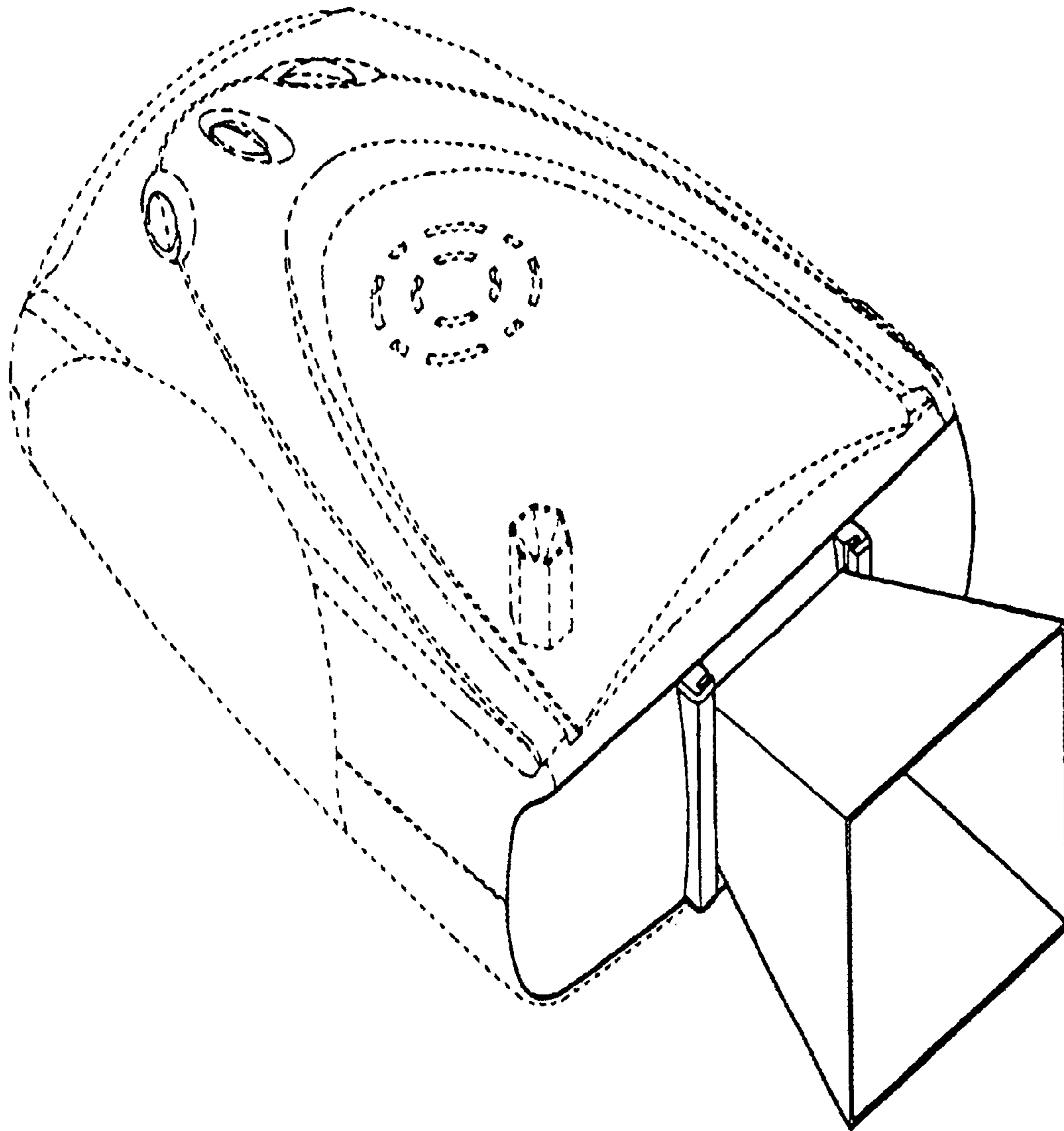


FIG. 1

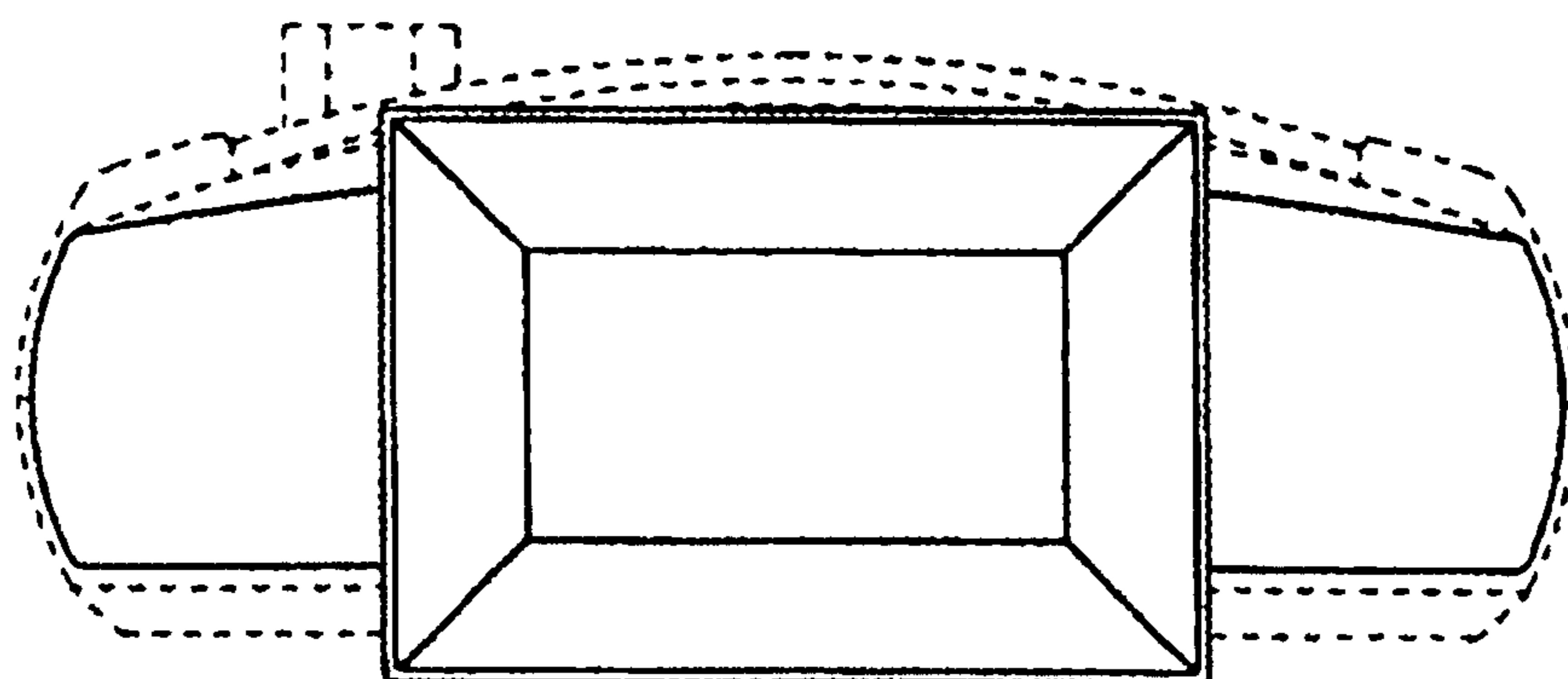


FIG. 2

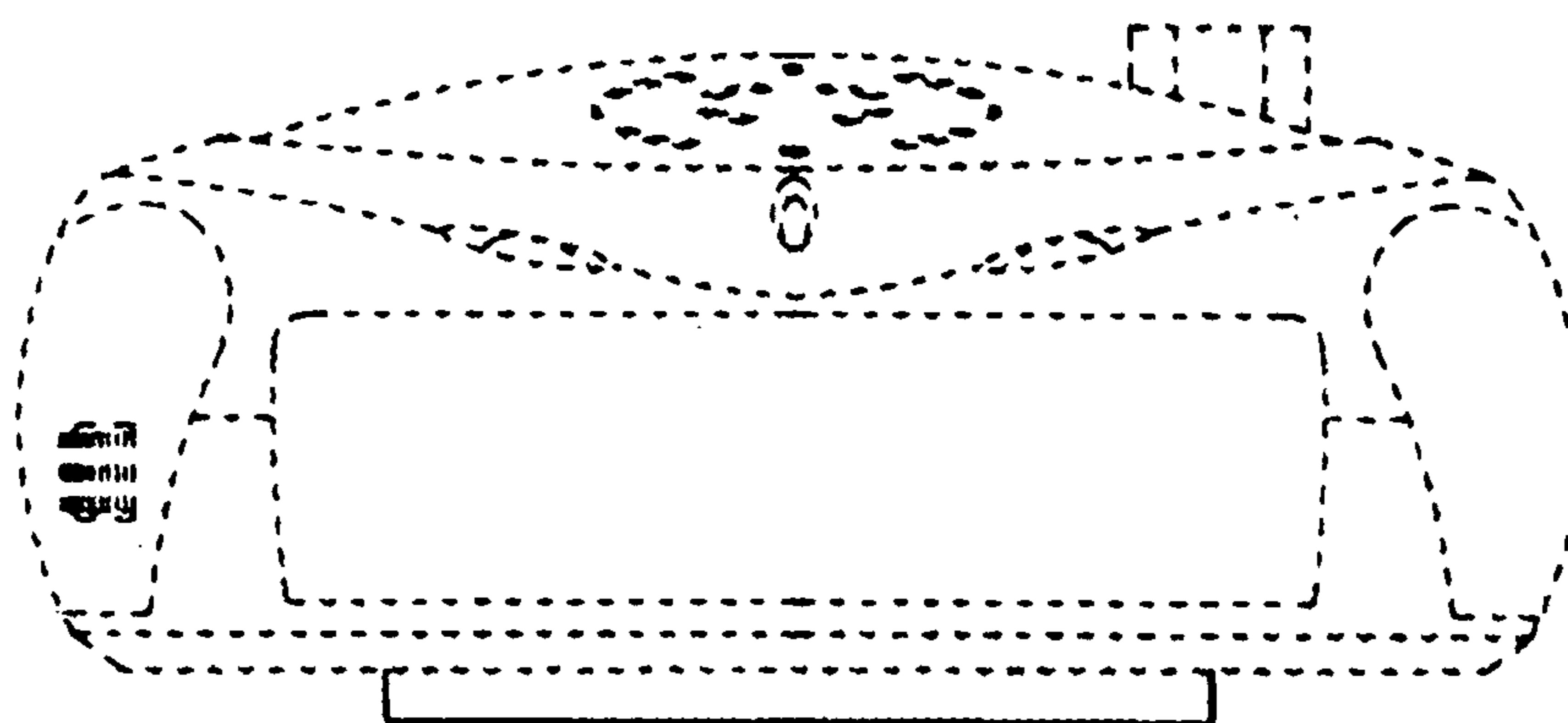


FIG. 3

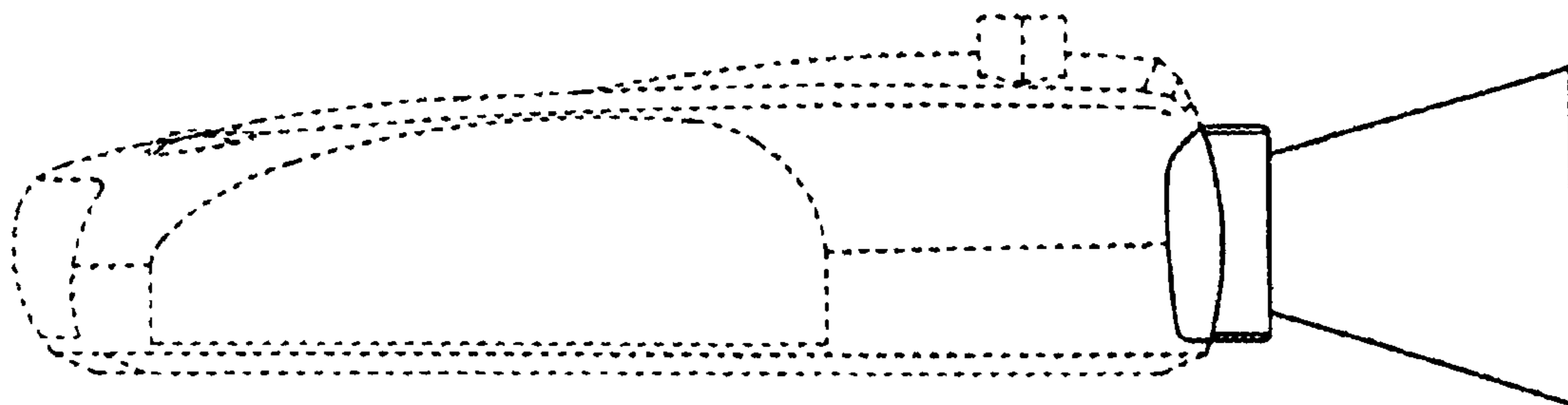


FIG. 4

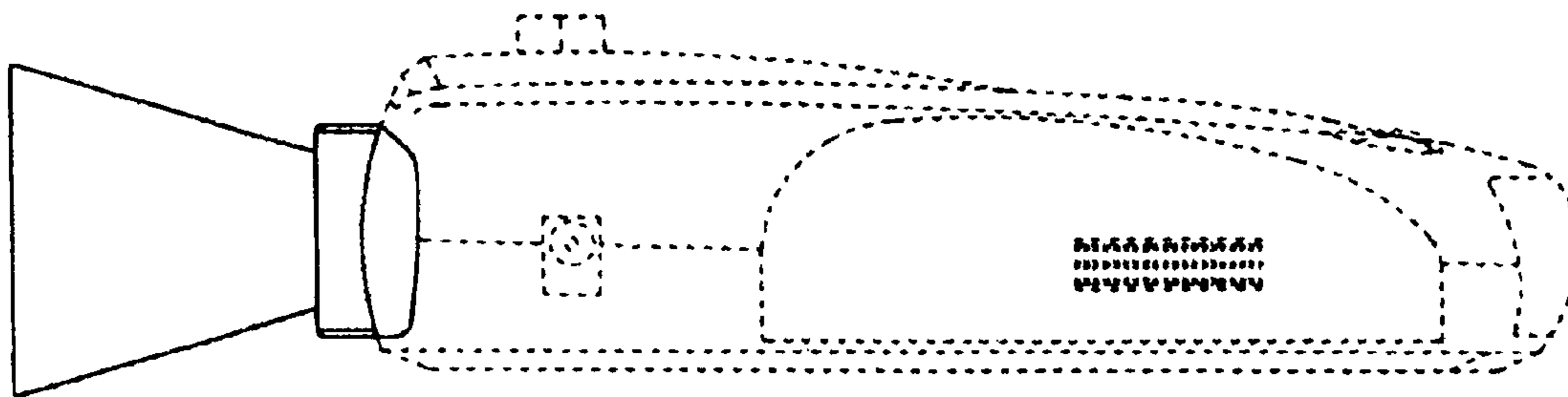


FIG. 5

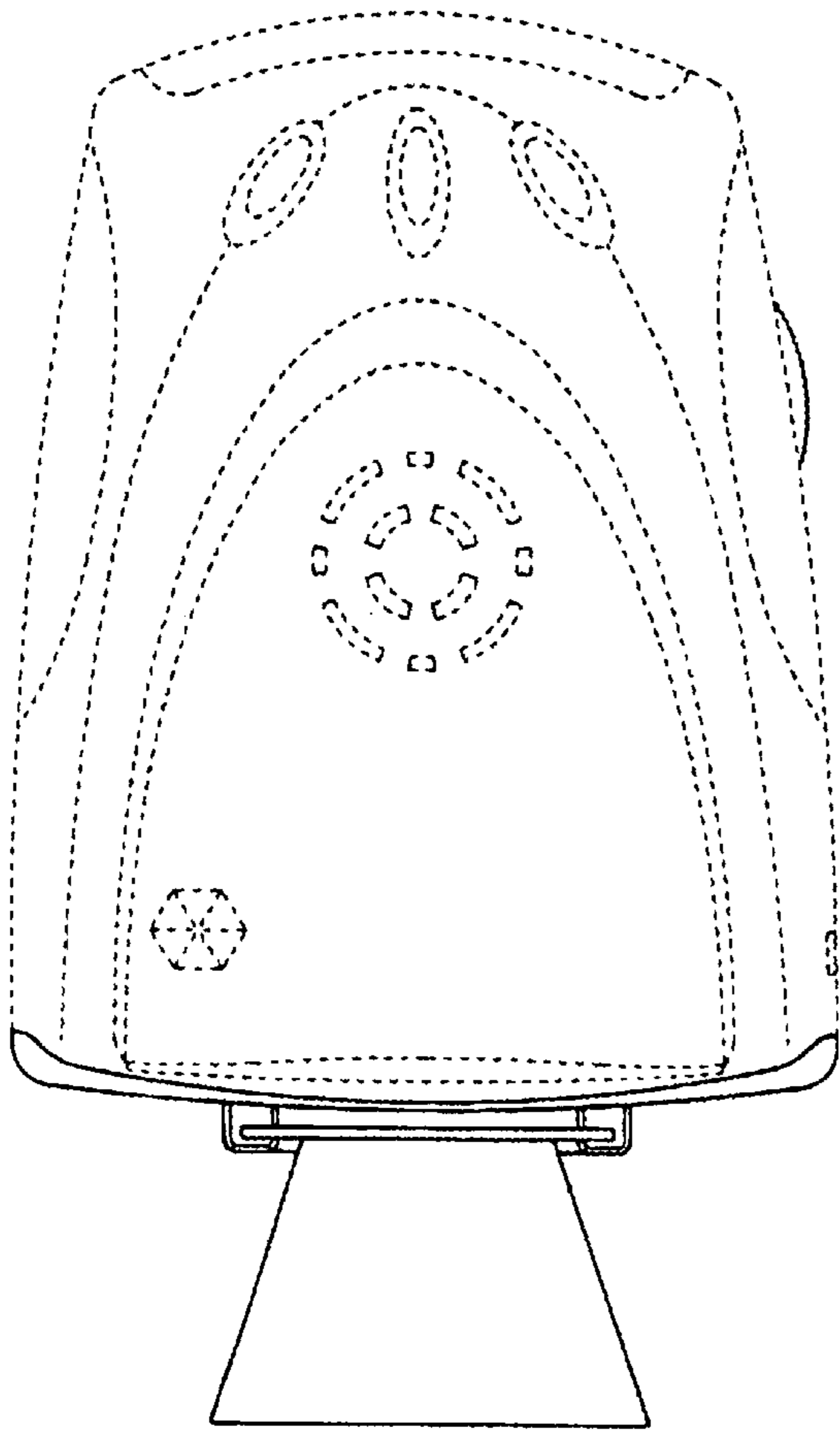


FIG. 6

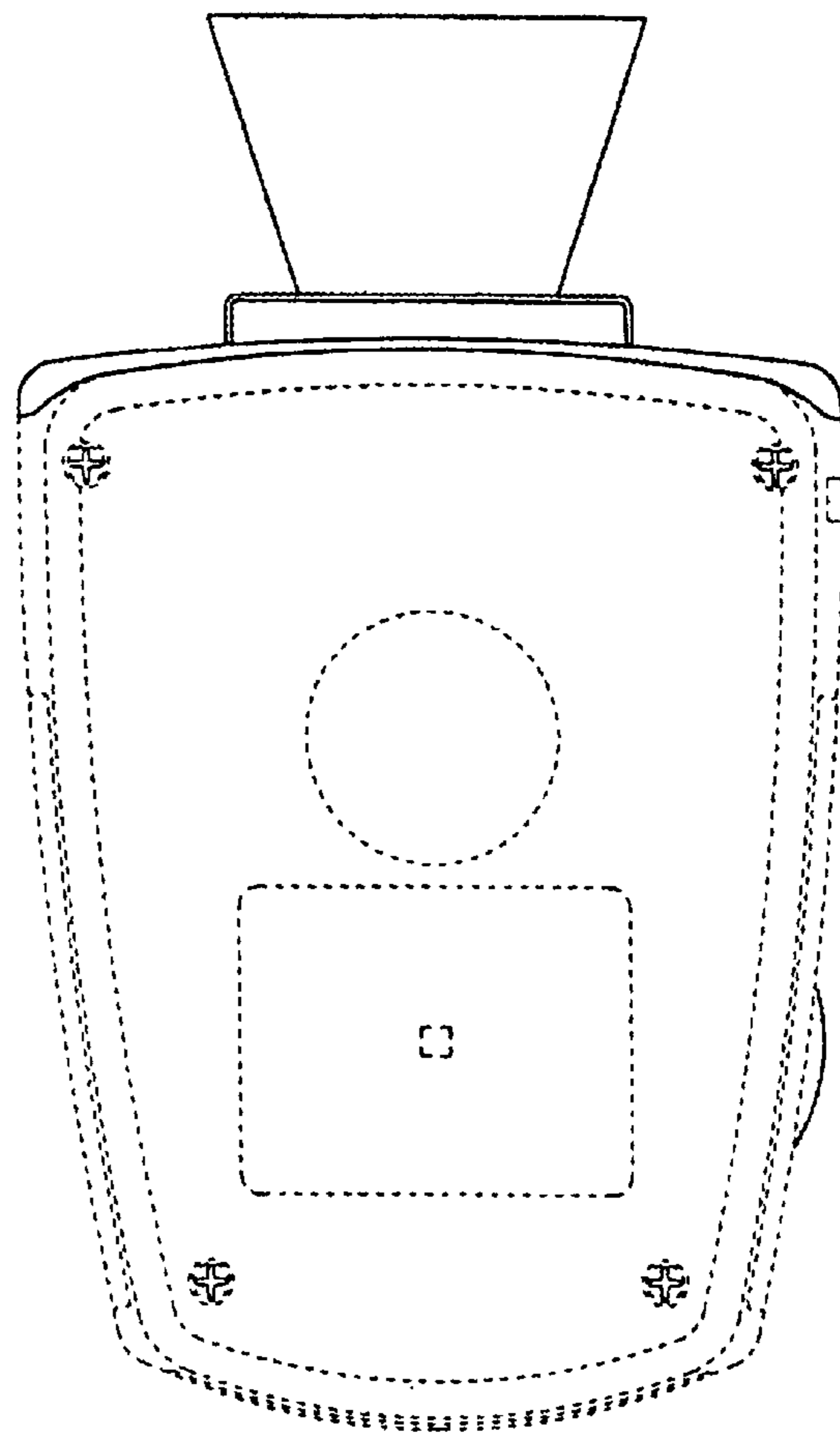


FIG. 7