



US00D568188S

(12) **United States Design Patent**
Chen

(10) **Patent No.:** **US D568,188 S**

(45) **Date of Patent:** **** May 6, 2008**

(54) **TAPE MEASURE**

D507,196 S * 7/2005 Chen D10/72

(76) **Inventor:** **Jui-Tung Chen**, No. 2, Ting-Chu-Wei,
Huwei Chen, Yunlin Hsien (TW)

* cited by examiner

Primary Examiner—Antoine D. Davis

(74) *Attorney, Agent, or Firm*—Charles E. Baxley

(**) **Term:** **14 Years**

(21) **Appl. No.:** **29/291,105**

(57) **CLAIM**

(22) **Filed:** **Aug. 13, 2007**

The ornamental design for a tape measure, as shown.

(51) **LOC (8) Cl.** **10-04**

(52) **U.S. Cl.** **D10/72**

(58) **Field of Classification Search** D10/72;
33/755-771; 242/292, 381.1, 381.2, 381.3,
242/381.4, 381.5, 381.6

See application file for complete search history.

DESCRIPTION

FIG. 1 is a perspective view of a tape measure, showing my new design;

FIG. 2 is a front view thereof;

FIG. 3 is a rear view thereof;

FIG. 4 is a left view thereof;

FIG. 5 is a right view thereof;

FIG. 6 is a top view thereof; and,

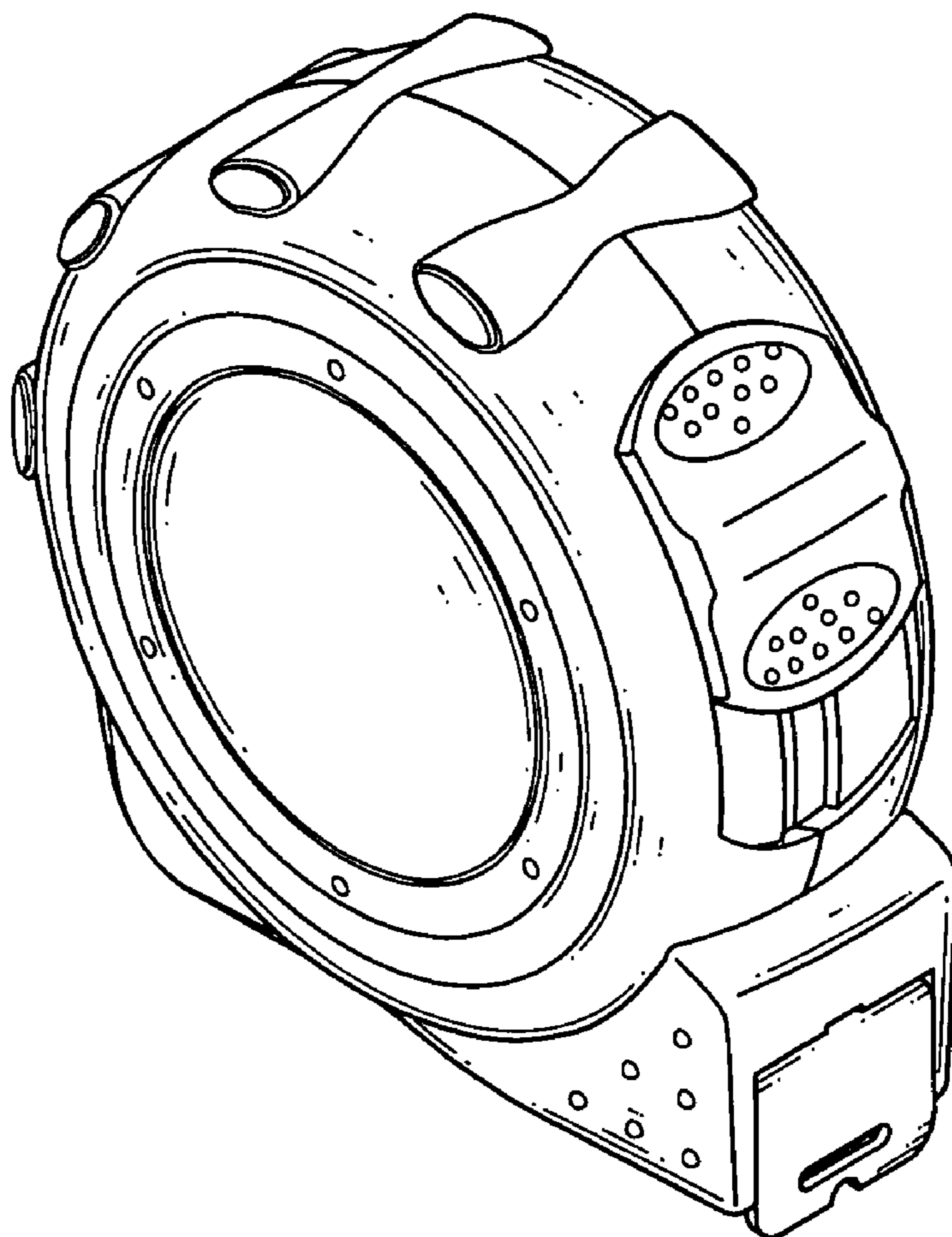
FIG. 7 is a bottom view thereof.

(56) **References Cited**

U.S. PATENT DOCUMENTS

- D458,163 S * 6/2002 Kang D10/72
- D474,412 S * 5/2003 Ichinose et al. D10/72
- D507,195 S * 7/2005 Kondo et al. D10/72

1 Claim, 4 Drawing Sheets



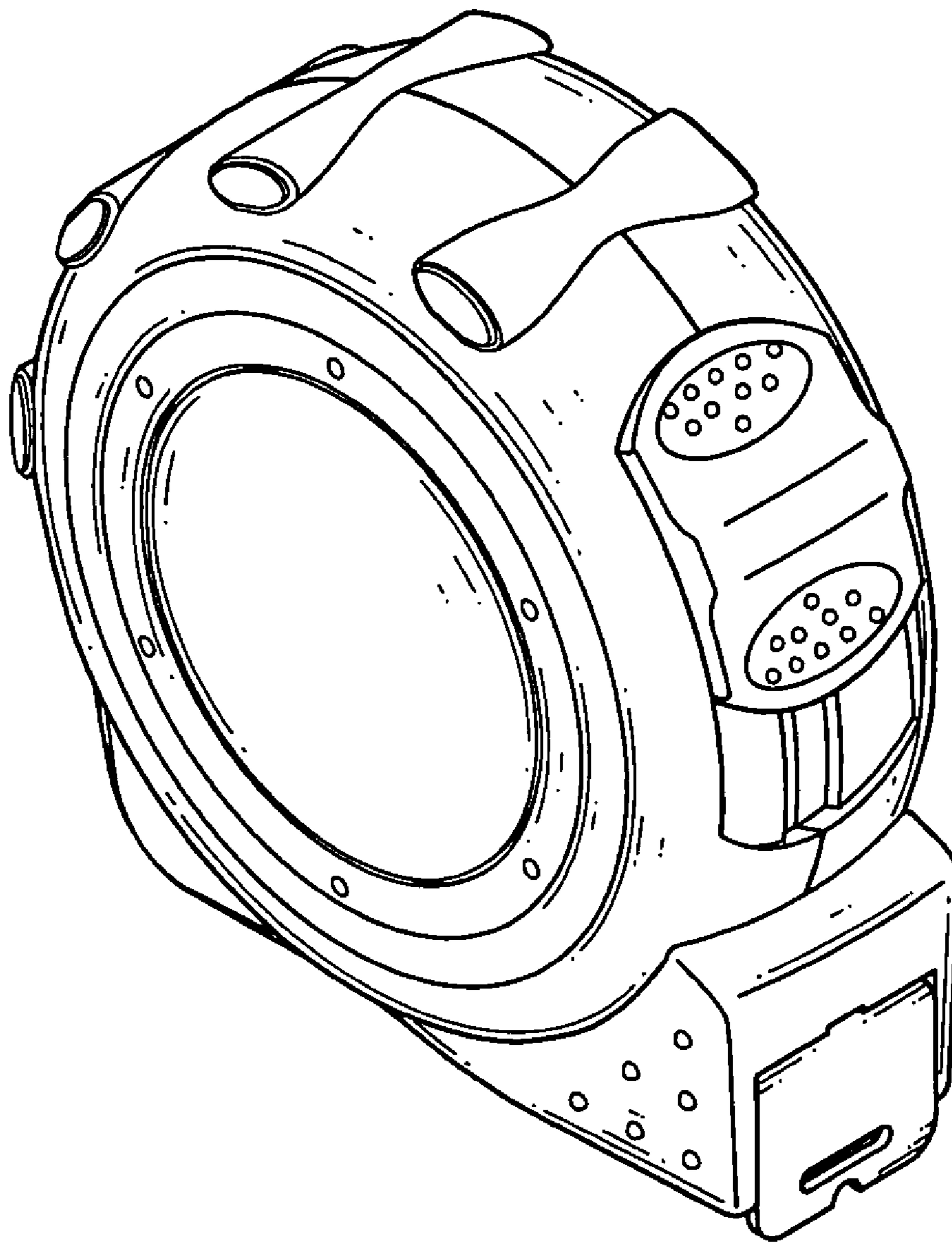


FIG. 1

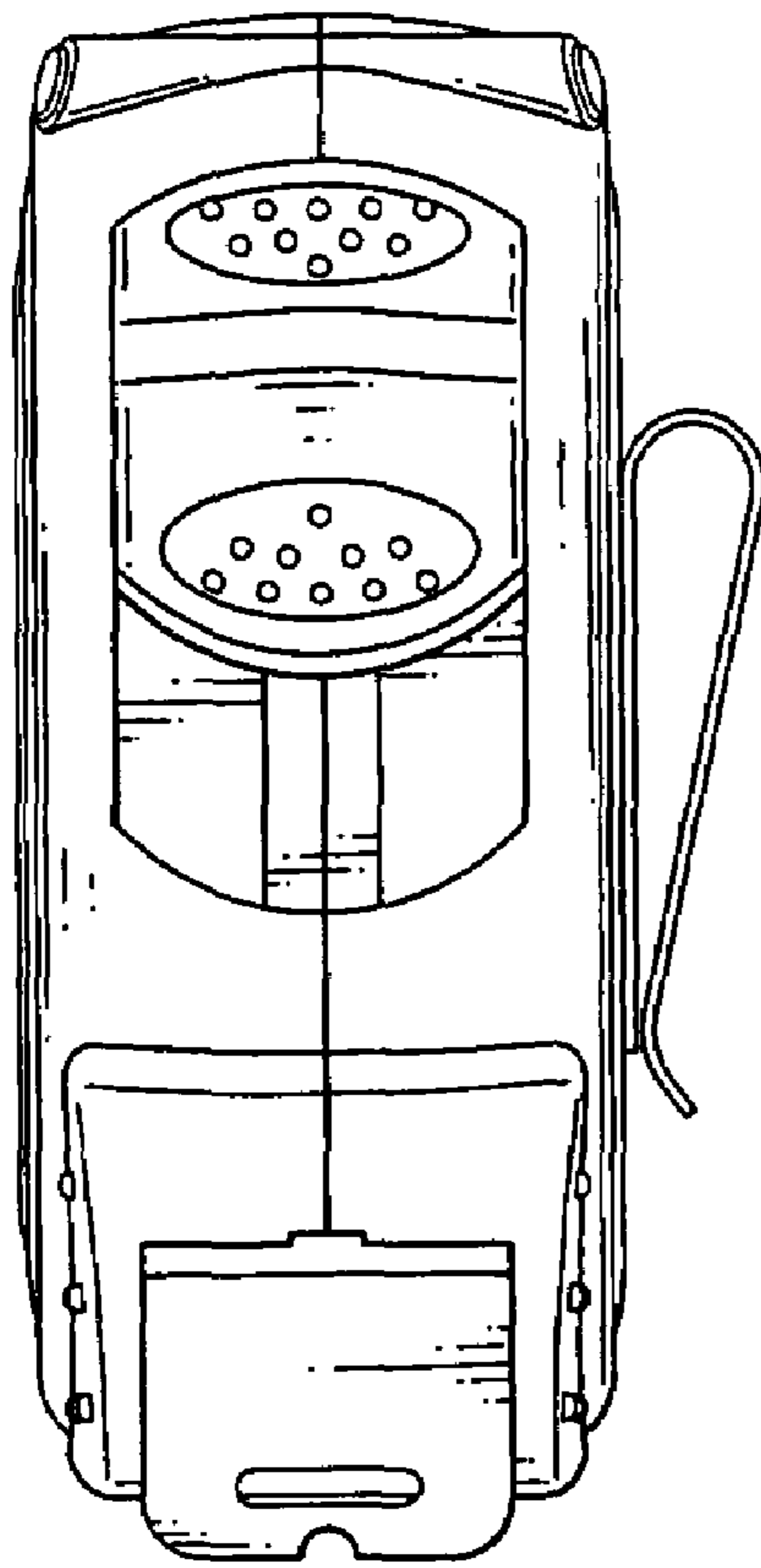


FIG. 2

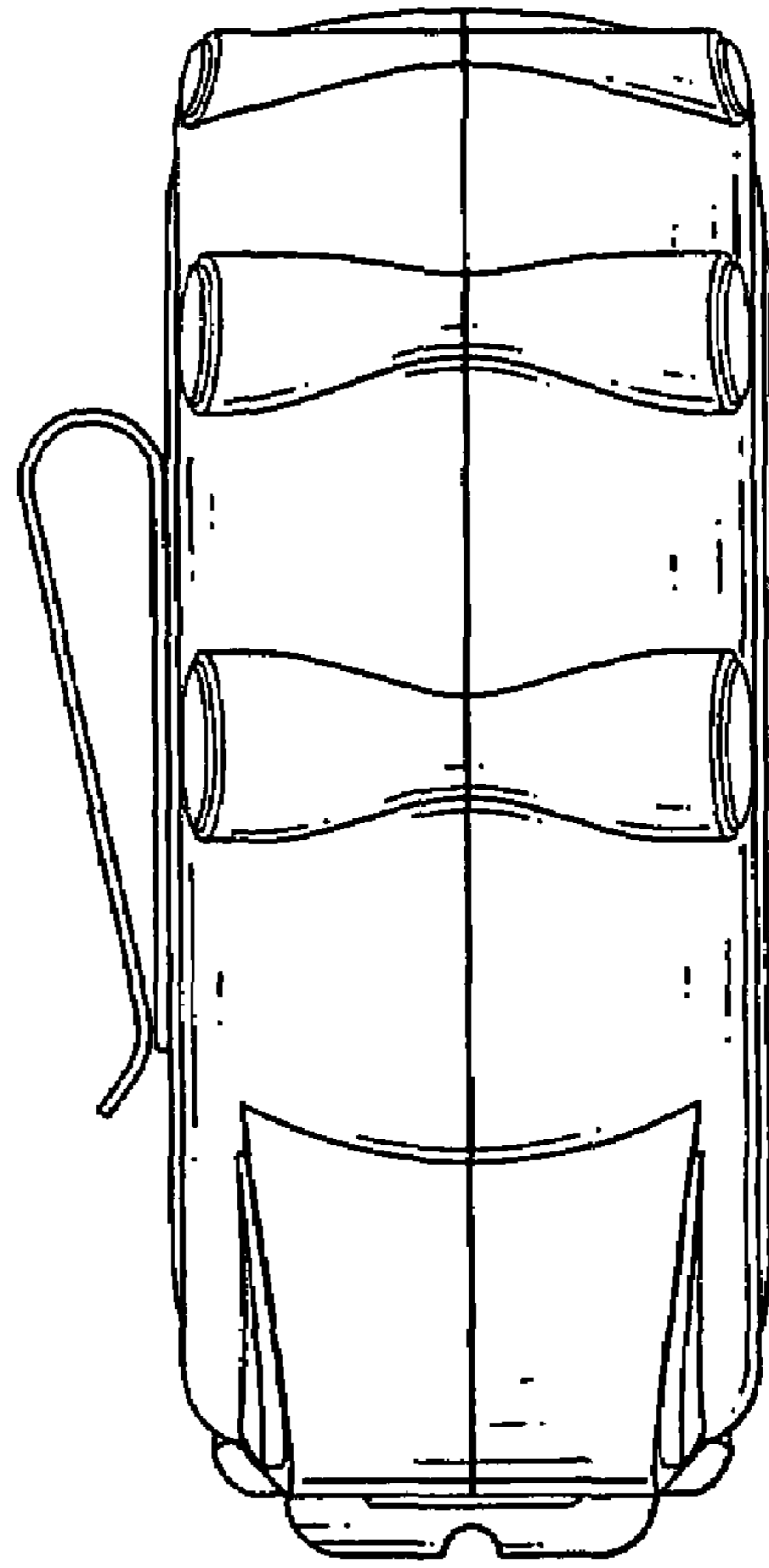


FIG. 3

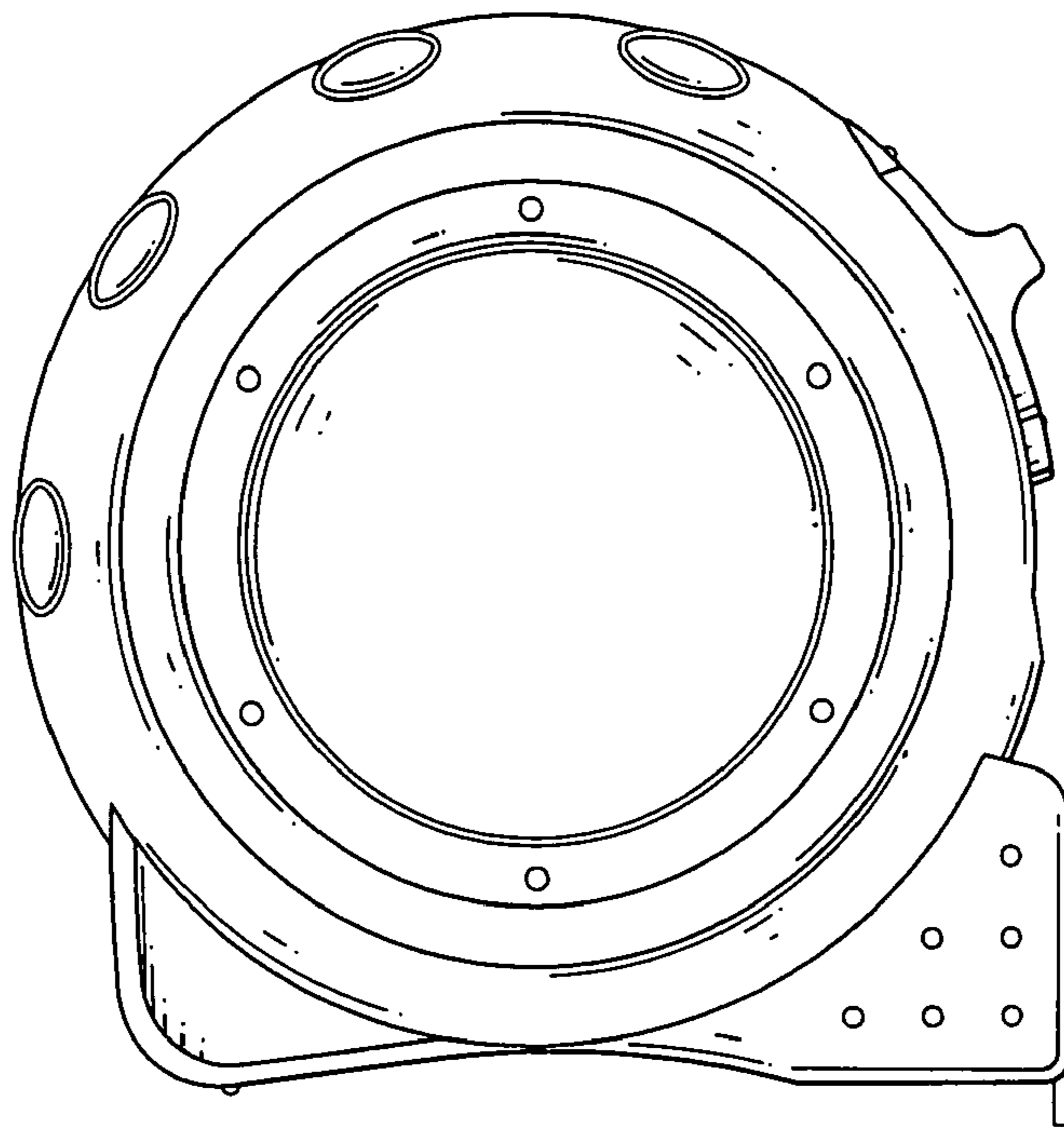


FIG. 4

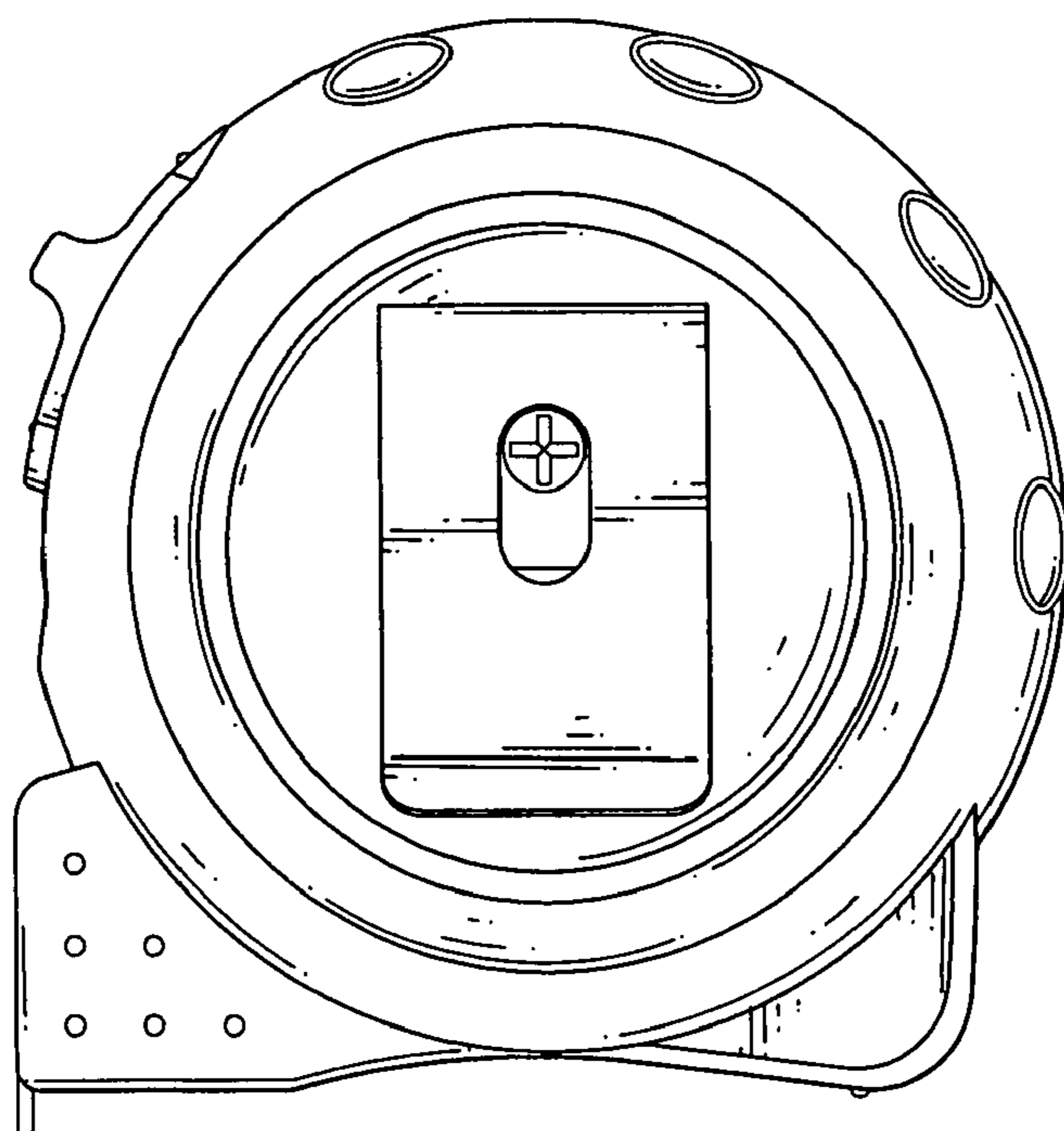


FIG. 5

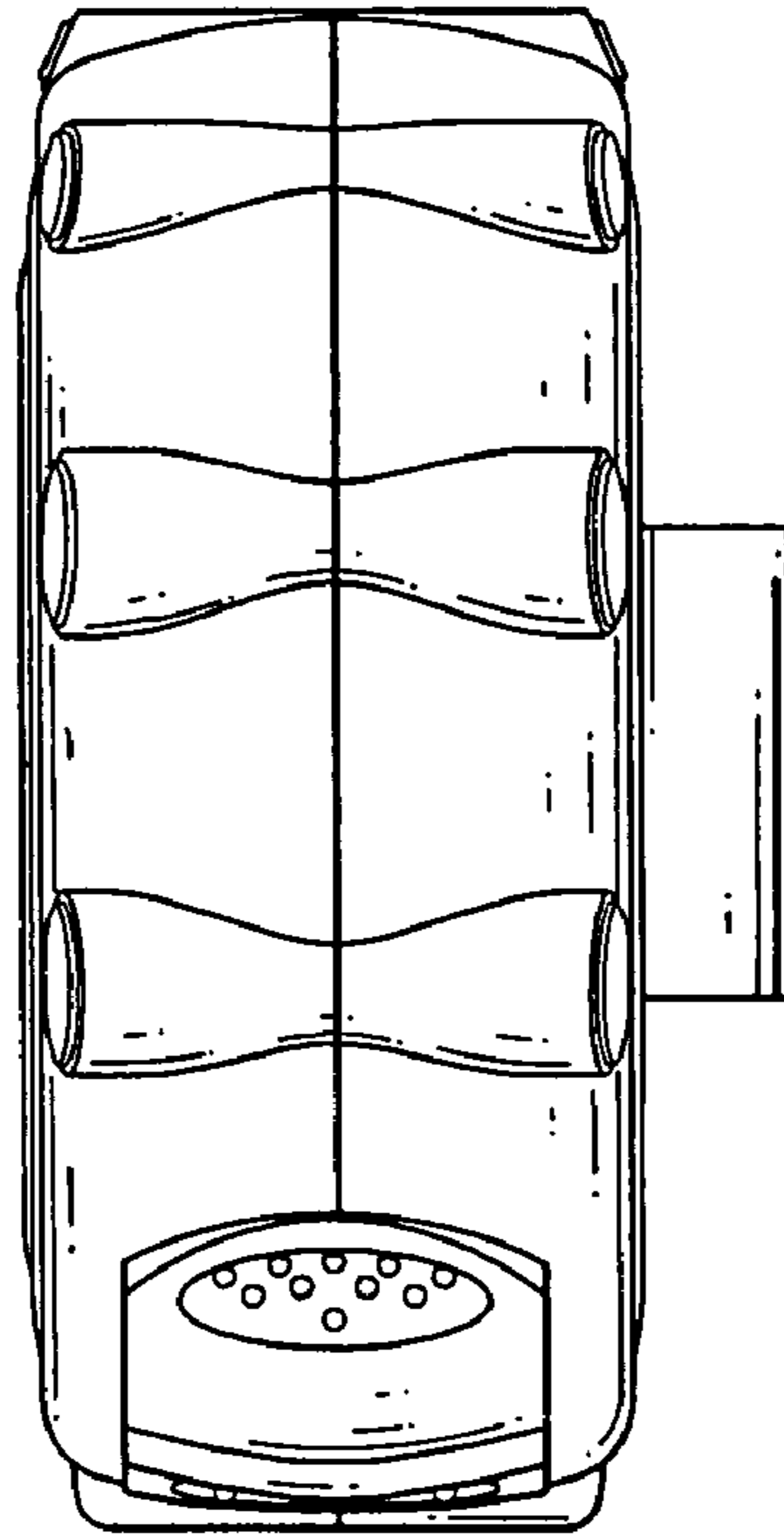


FIG. 6

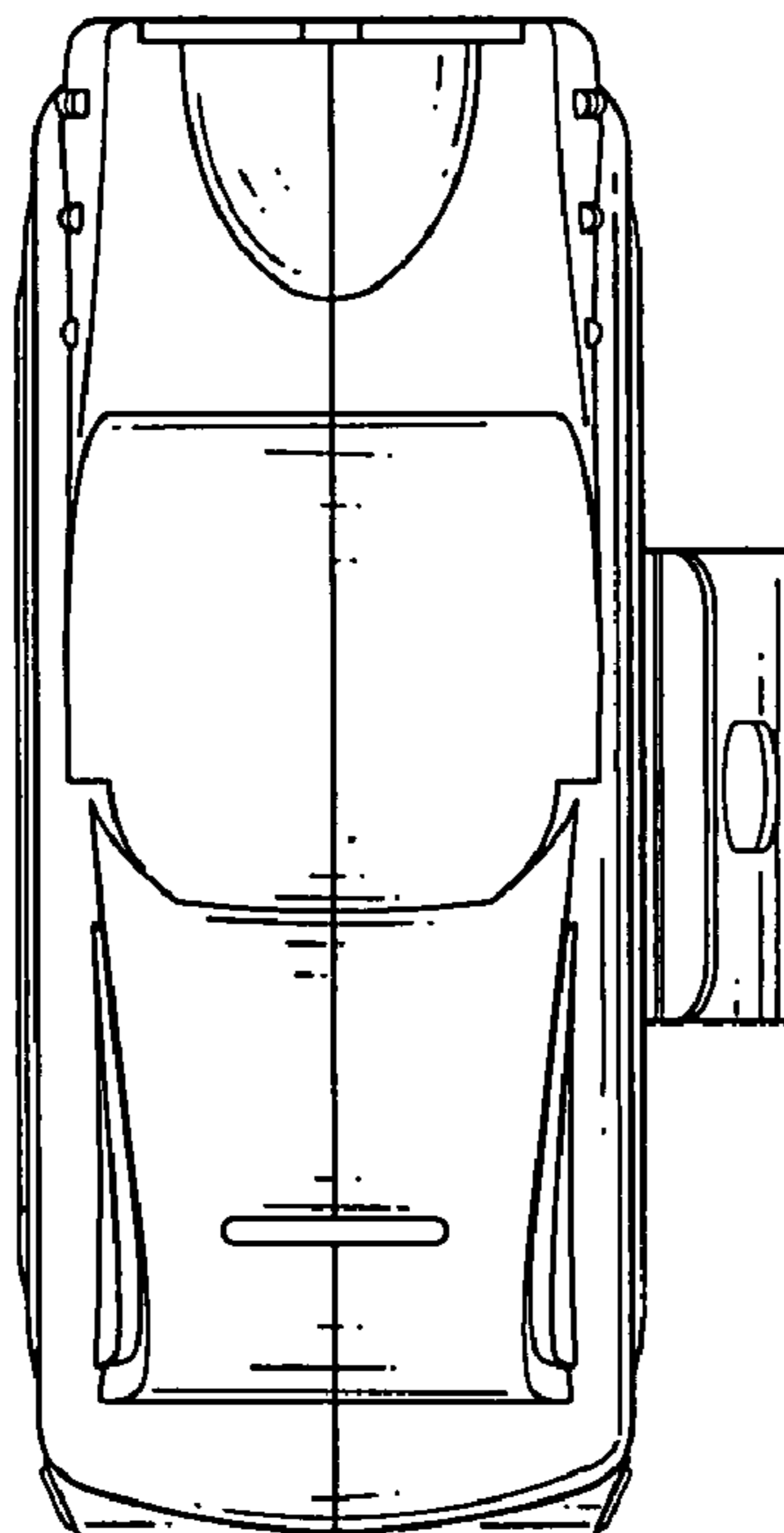


FIG. 7