



US00D568187S

(12) **United States Design Patent**
Chue

(10) **Patent No.:** **US D568,187 S**

(45) **Date of Patent:** **** May 6, 2008**

(54) **DOUBLE VIAL TAPE MEASURE**

(75) Inventor: **Lap Fu Chue**, Tai Po (HK)

(73) Assignee: **Kenki (H.K.) Ltd.**, Kowloon (HK)

(**) Term: **14 Years**

(21) Appl. No.: **29/279,985**

(22) Filed: **May 14, 2007**

(51) **LOC (8) Cl.** **10-04**

(52) **U.S. Cl.** **D10/72**

(58) **Field of Classification Search** D10/72;
33/755-771; 242/292, 381.1, 381.2-381.6

See application file for complete search history.

(56) **References Cited**

U.S. PATENT DOCUMENTS

3,885,314 A * 5/1975 Banas, Sr. 33/64
D462,283 S * 9/2002 Kuntze D10/72

* cited by examiner

Primary Examiner—Antoine D. Davis

(74) *Attorney, Agent, or Firm*—Rabin & Berdo, P.C.

(57) **CLAIM**

The ornamental design for a double vial tape measure, as shown and described.

DESCRIPTION

FIG. 1 is a front view of a double vial tape measure showing my new design;

FIG. 2 is a rear view thereof;

FIG. 3 is a left side view thereof;

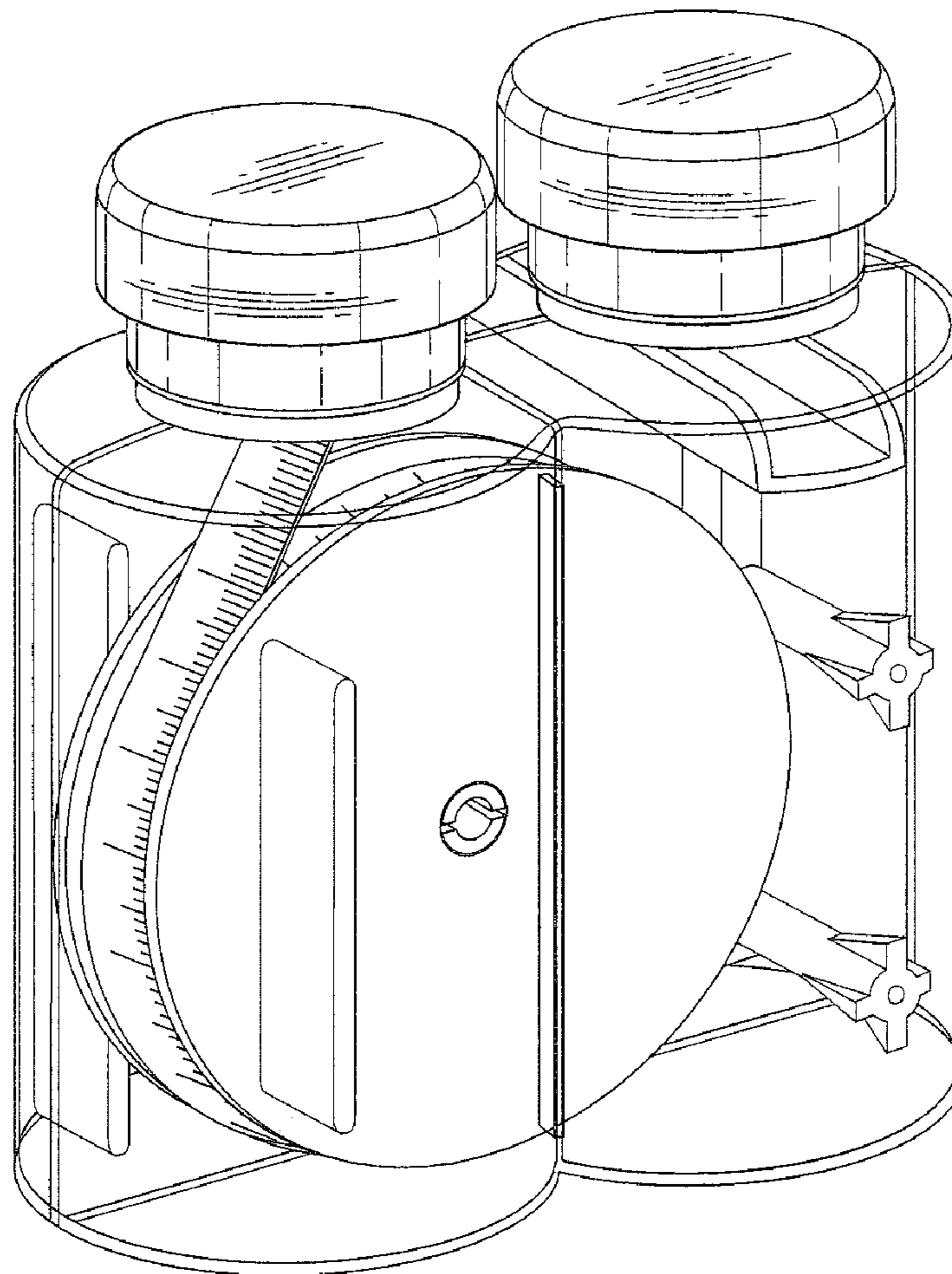
FIG. 4 is a right side view thereof;

FIG. 5 is a top view thereof;

FIG. 6 is a bottom view thereof; and,

FIG. 7 is a perspective view thereof.

1 Claim, 4 Drawing Sheets



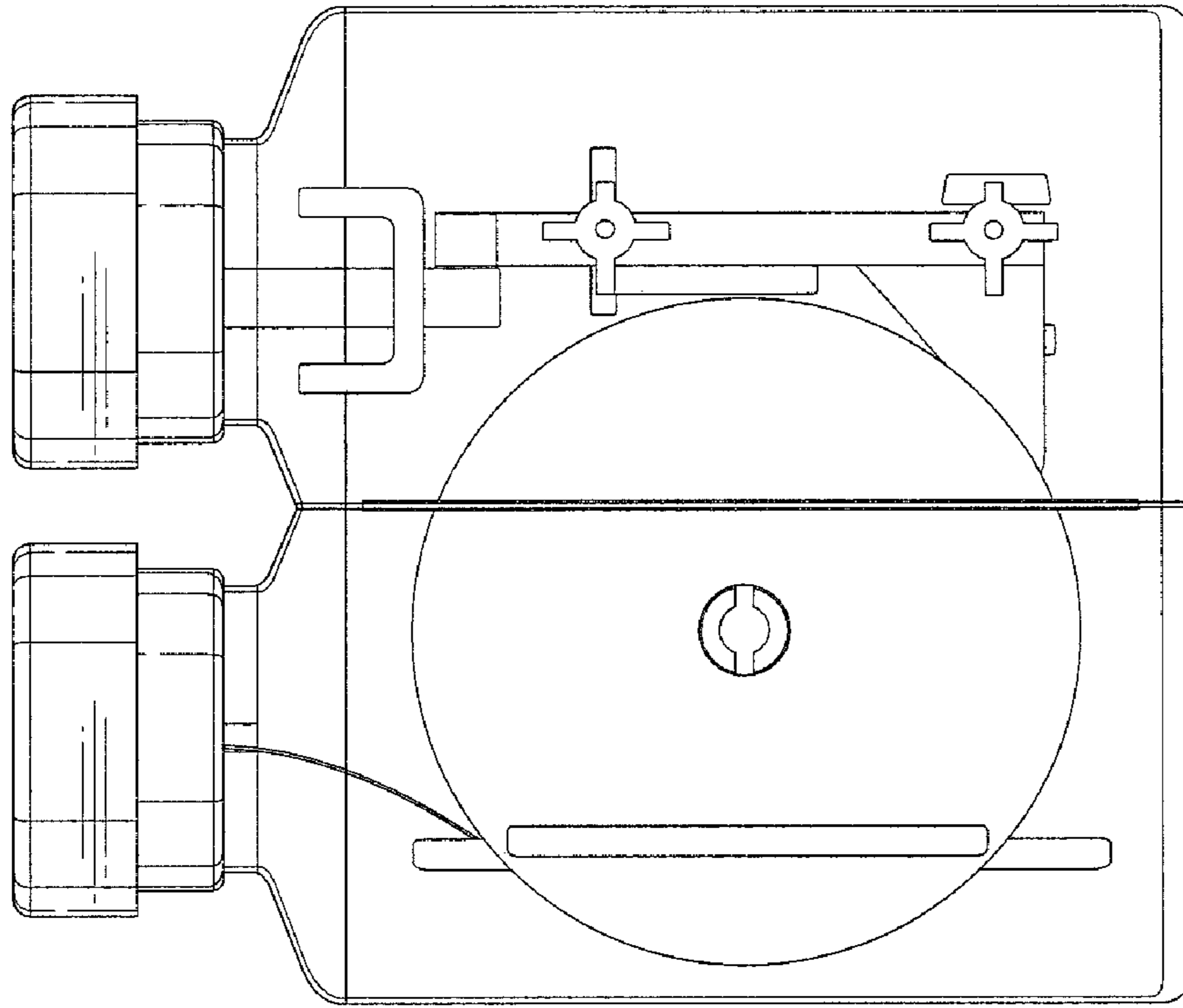


Fig. 2

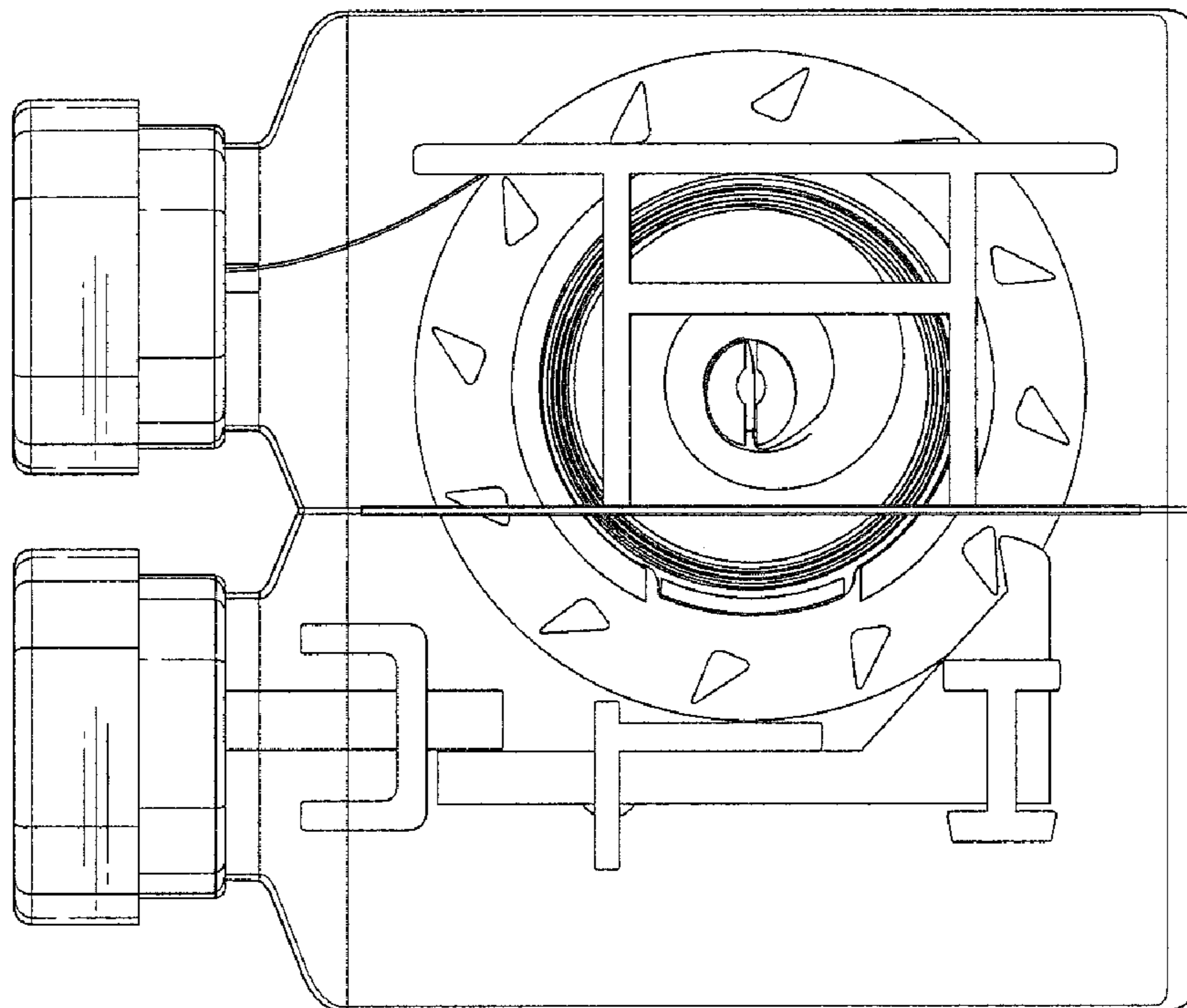


Fig. 1

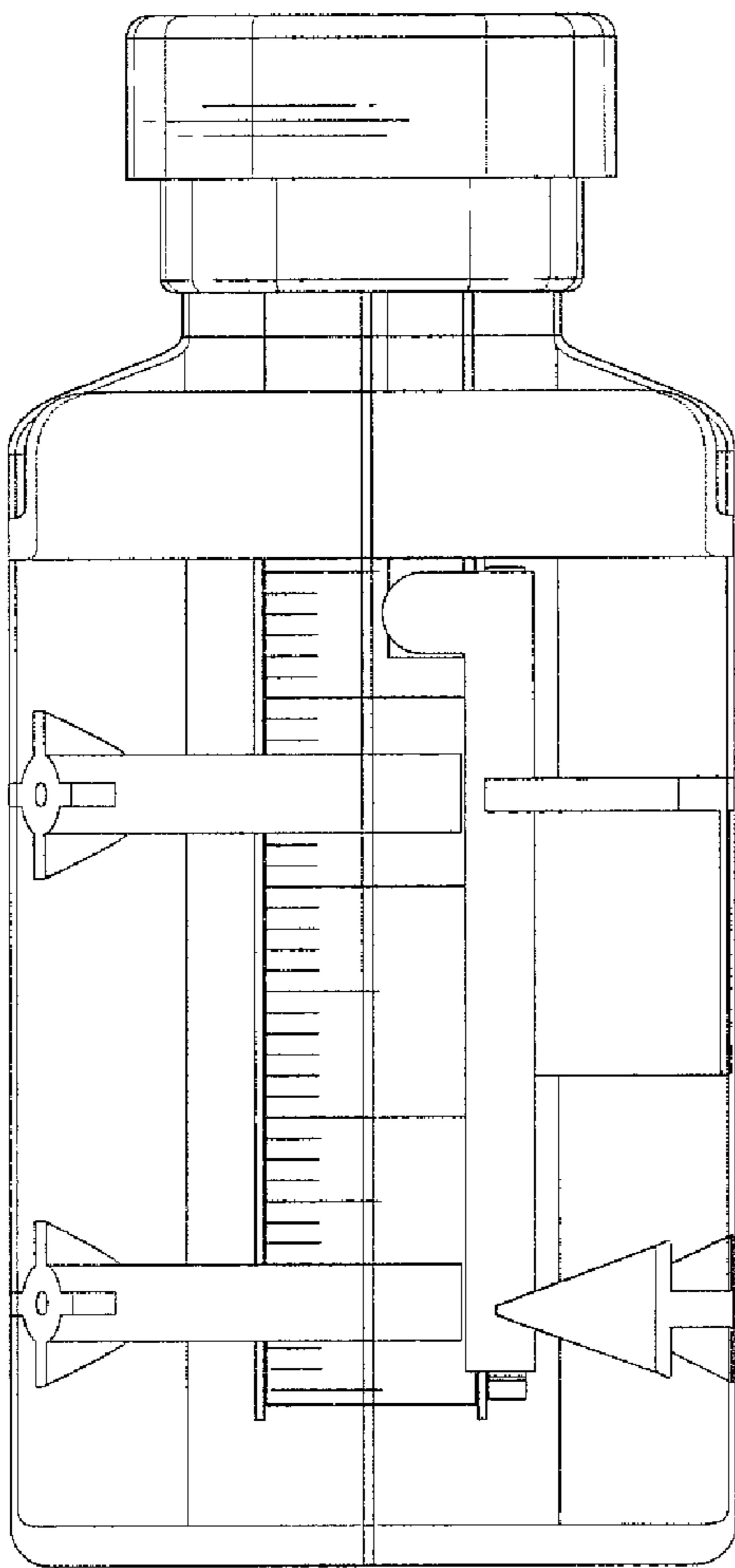


Fig. 3

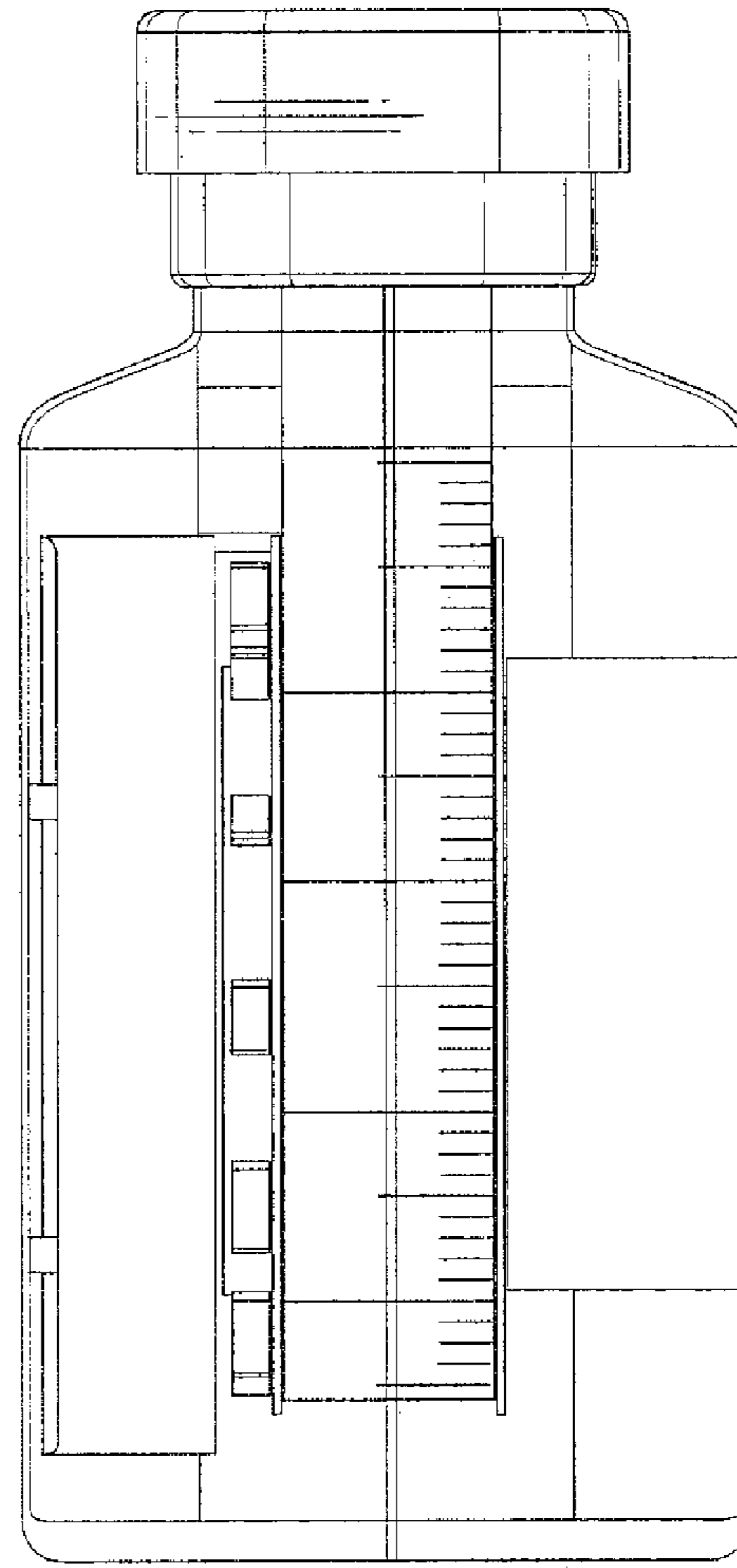


Fig. 4

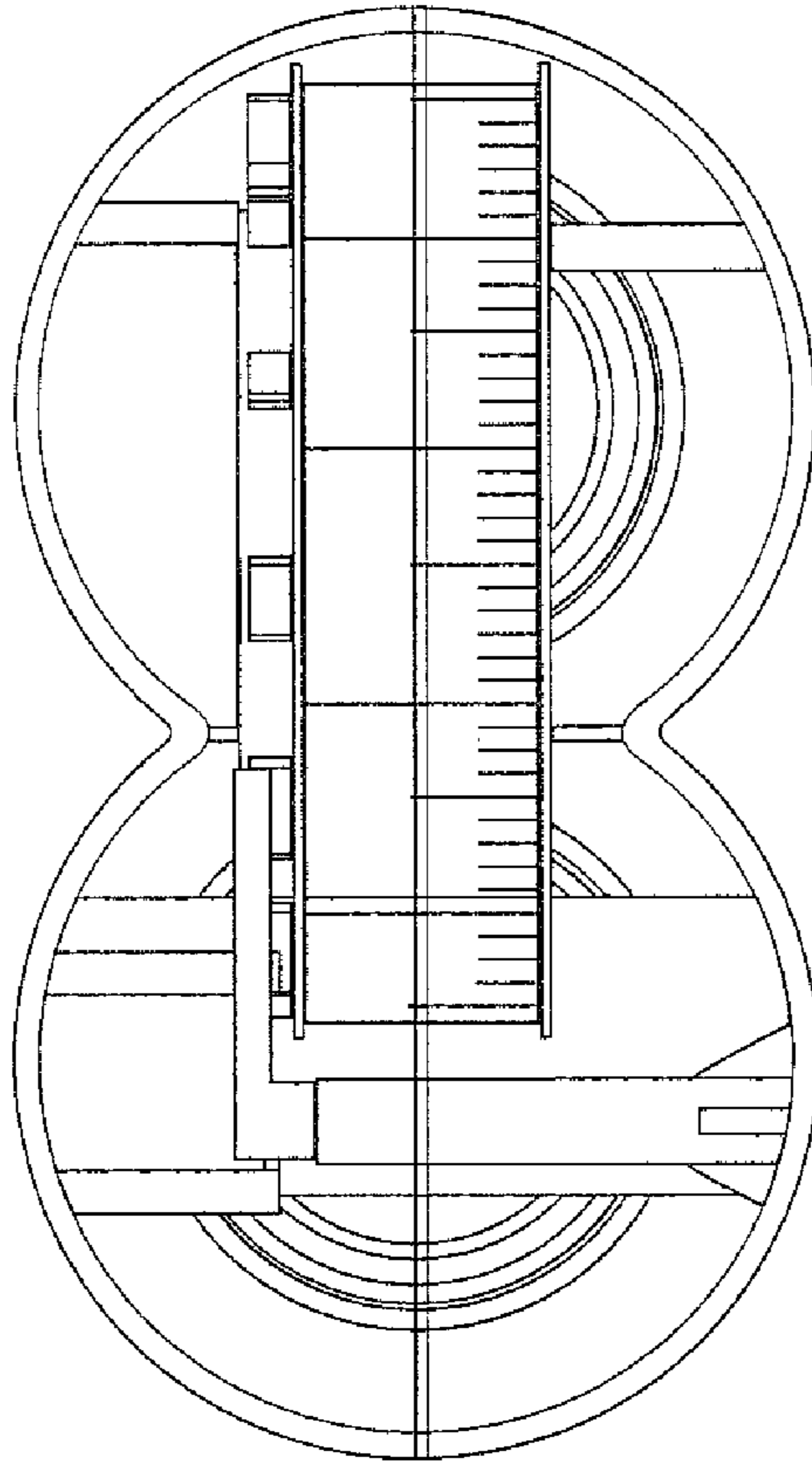


Fig. 6

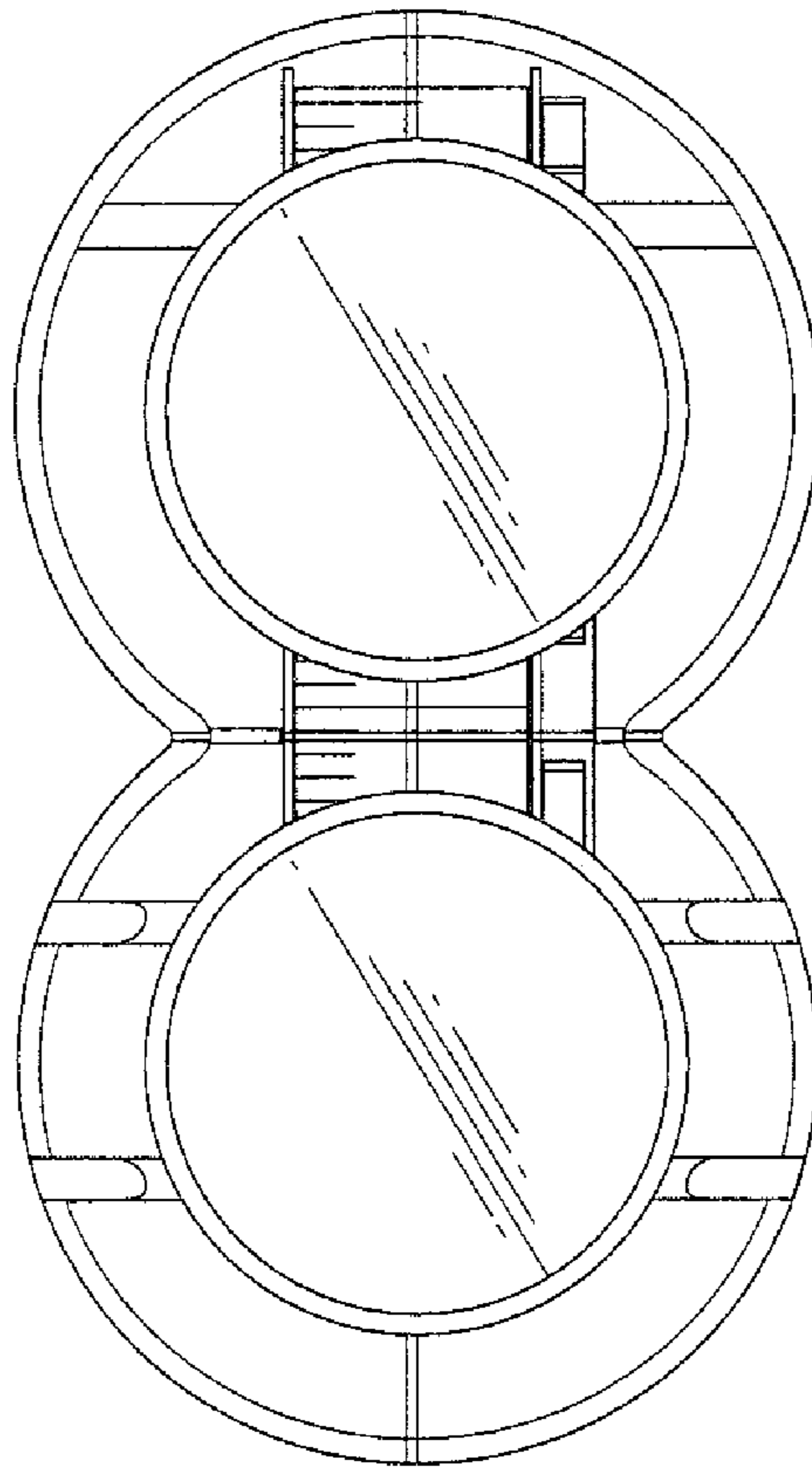


Fig. 5

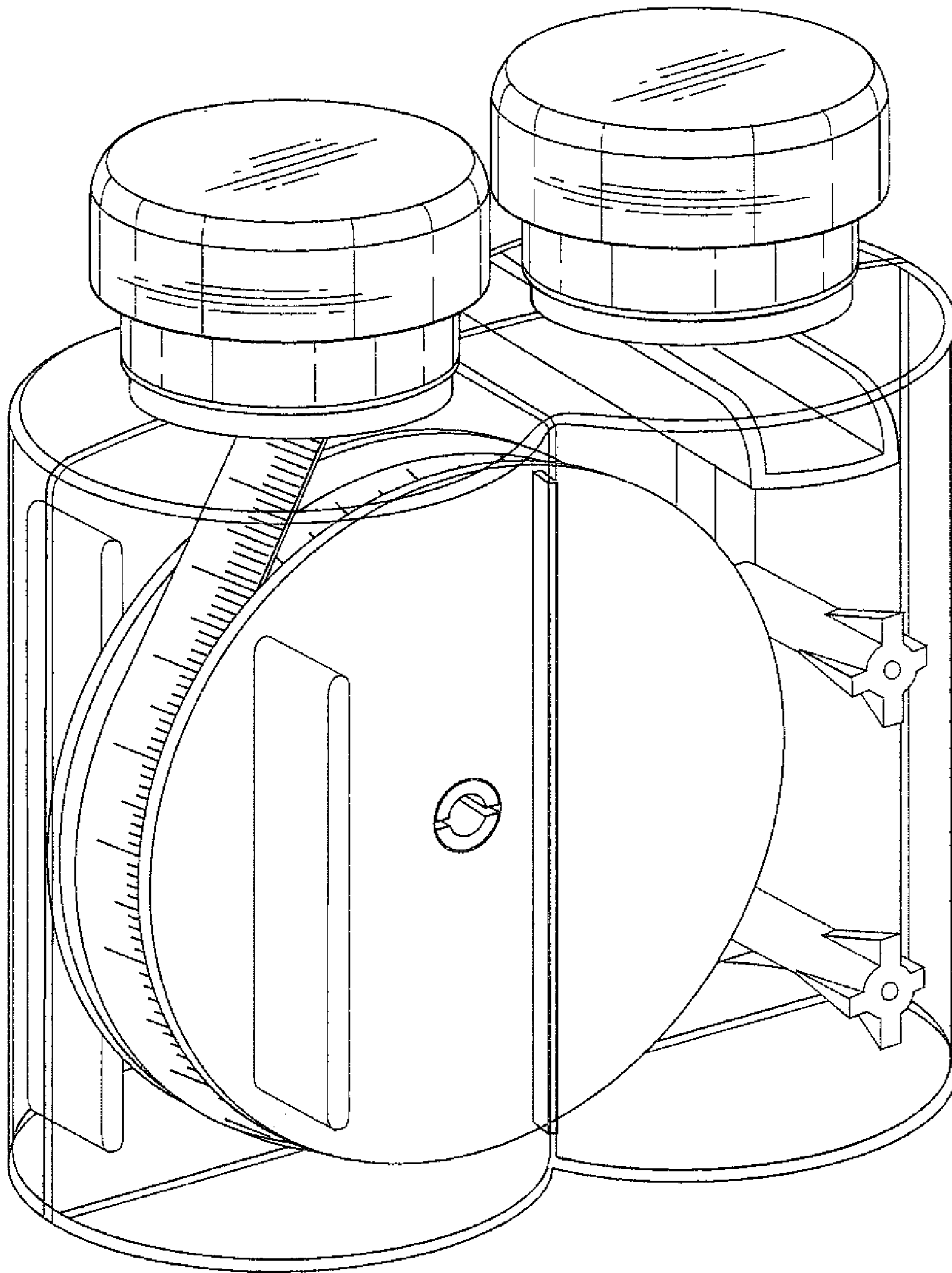


Fig. 7