

US00D568186S

(12) **United States Design Patent** (10) **Patent No.:** **US D568,186 S**  
**Blair et al.** (45) **Date of Patent:** **\*\* May 6, 2008**

(54) **TRANSPONDER HOUSING**  
(75) Inventors: **William A. Blair**, San Diego, CA (US);  
**Bruce E. Barnes**, Escondido, CA (US);  
**David A. Poirier**, Escondido, CA (US)  
(73) Assignee: **RF Surgical Systems, Inc.**, Bellevue,  
WA (US)

D534,448 S \* 1/2007 Shaffer et al. .... D10/106  
7,183,914 B2 \* 2/2007 Norman et al. .... 340/568.1  
7,183,927 B2 \* 2/2007 Kolton et al. .... 340/572.8  
2003/0105394 A1 6/2003 Fabian et al.  
2004/0129279 A1 7/2004 Fabian et al.  
2005/0049564 A1 3/2005 Fabian  
2006/0106368 A1 5/2006 Miller et al.  
2006/0202827 A1 9/2006 Volpi et al.

(\*\*) Term: **14 Years**

\* cited by examiner

(21) Appl. No.: **29/277,869**

*Primary Examiner*—Antoine D. Davis  
(74) *Attorney, Agent, or Firm*—Seed IP Law Group PLLC

(22) Filed: **Mar. 12, 2007**

(57) **CLAIM**

(51) **LOC (8) Cl.** ..... **10-04**

The ornamental design for a transponder housing, as shown and described.

(52) **U.S. Cl.** ..... **D10/70; D10/106**

(58) **Field of Classification Search** .. 340/568.2–568.8,  
340/539; 24/704.1; 600/407, 12; 604/632;  
606/1

**DESCRIPTION**

See application file for complete search history.

FIG. 1 is a rear perspective view of a transponder housing showing my our new design.

(56) **References Cited**

FIG. 2 is a front elevational view thereof.

**U.S. PATENT DOCUMENTS**

FIG. 3 is a bottom side elevational view thereof.

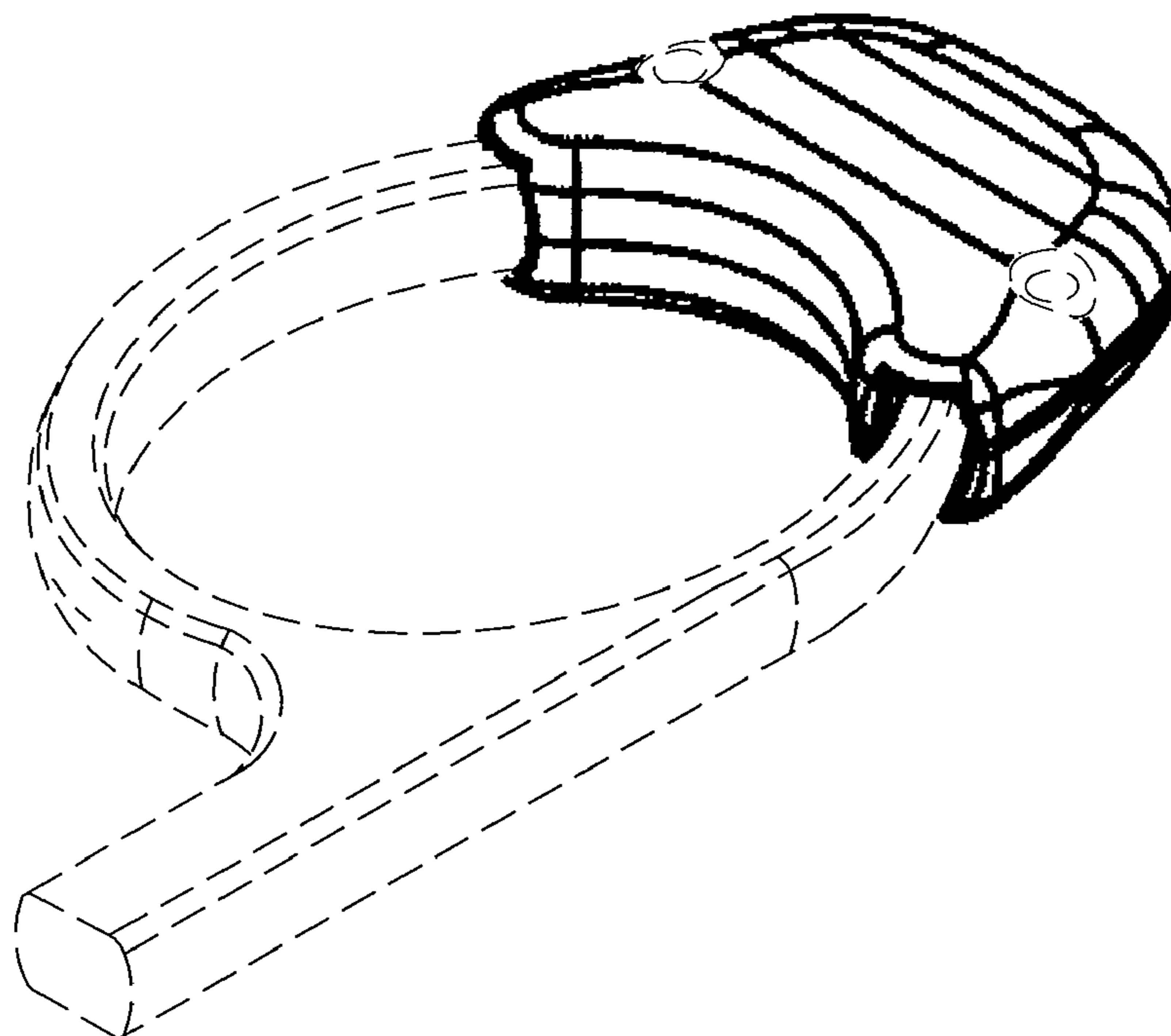
5,456,718 A 10/1995 Szymaitis  
5,664,582 A 9/1997 Szymaitis  
D502,419 S \* 3/2005 Copen ..... D10/106  
7,019,650 B2 3/2006 Volpi et al.  
D526,586 S \* 8/2006 McCaghren et al. .... D10/70  
7,135,973 B2 \* 11/2006 Kittel et al. .... 340/568.2  
7,135,978 B2 \* 11/2006 Gisselberg et al. .... 340/572.5

FIG. 4 is a left side elevational view thereof; and,

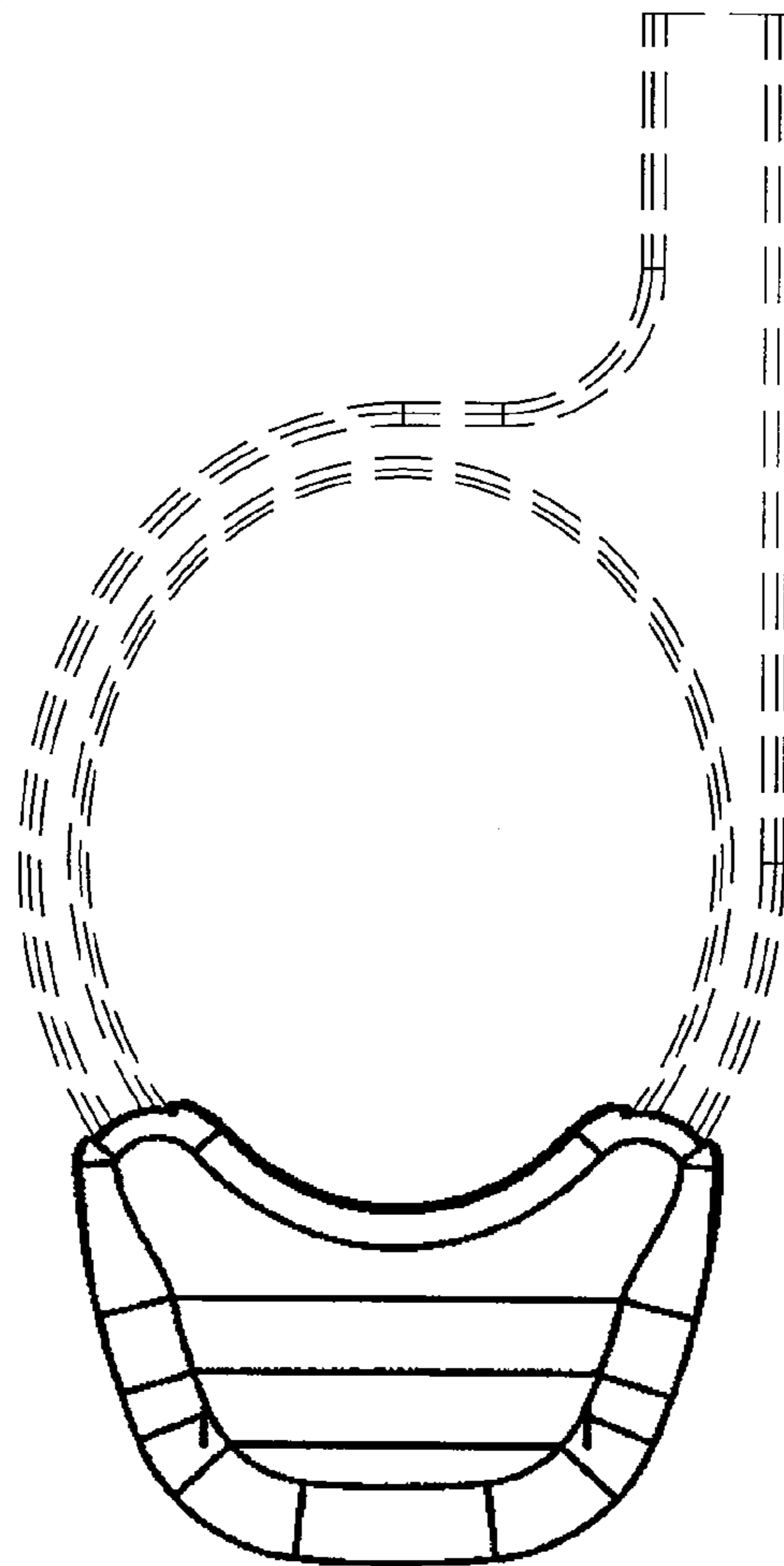
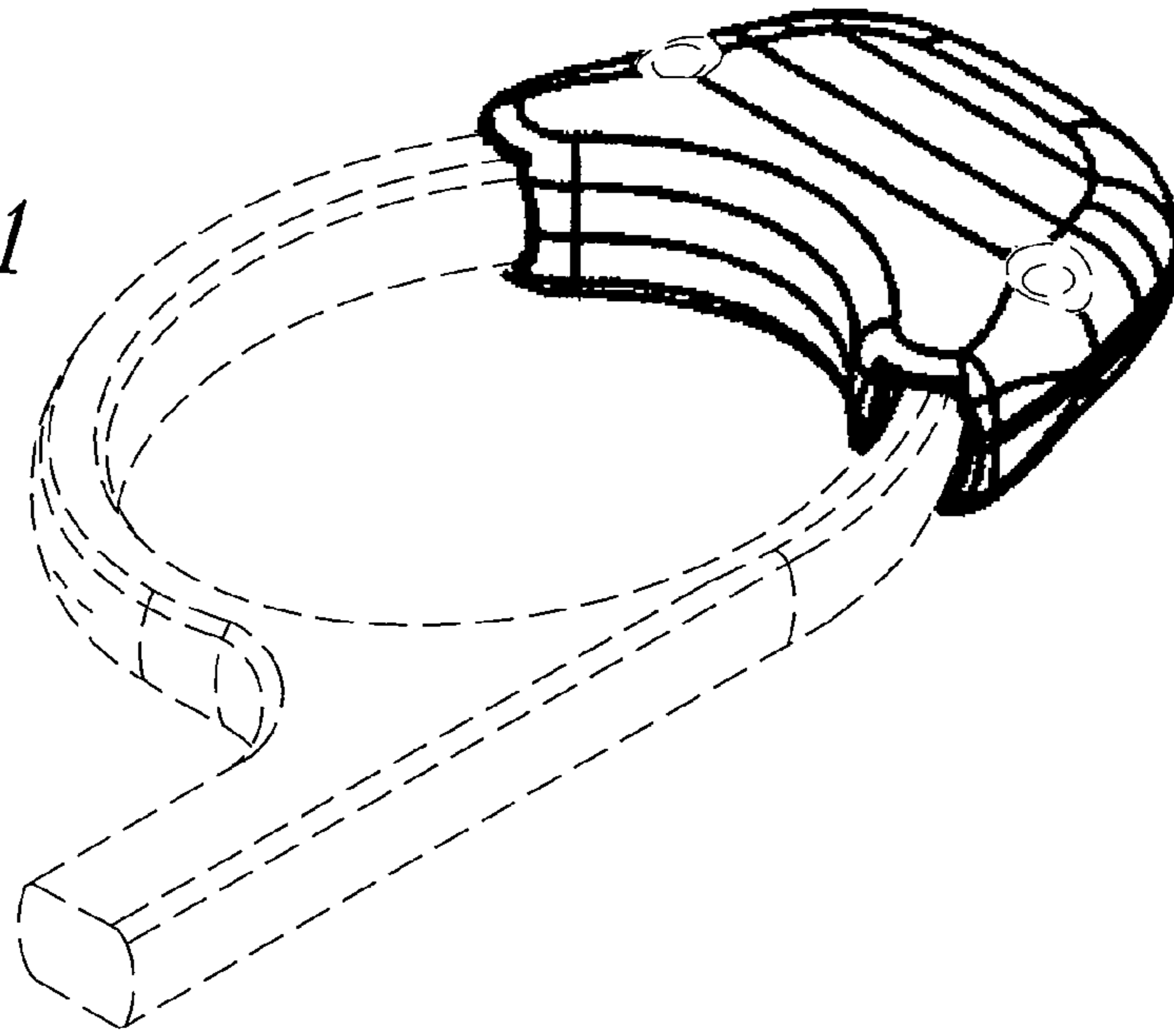
FIG. 5 is a rear elevational view thereof.

The broken lines in the figures are for illustrative purposes only and form no part of the claimed design.

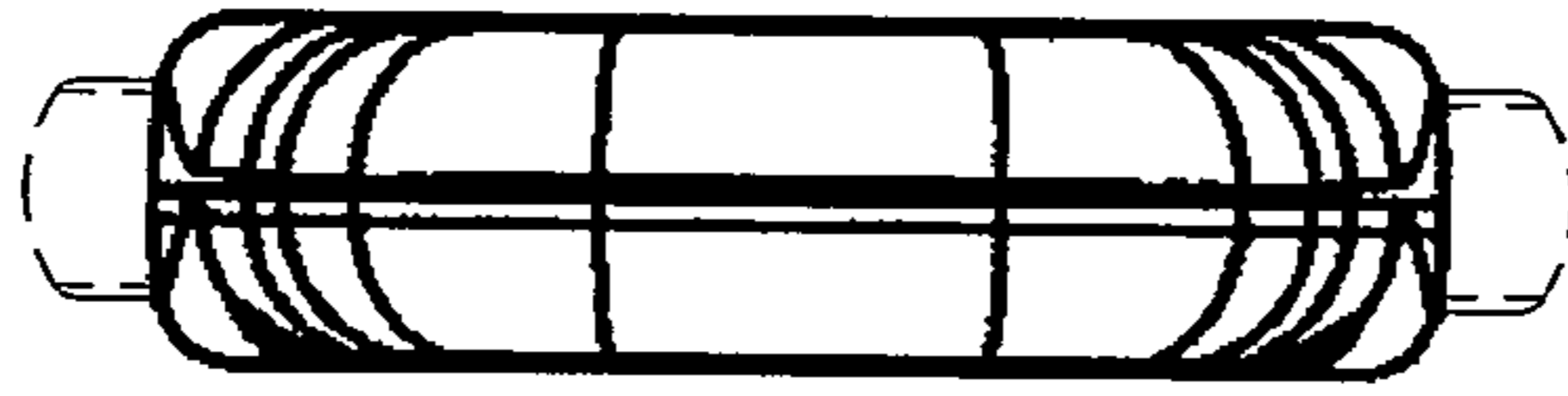
**1 Claim, 3 Drawing Sheets**



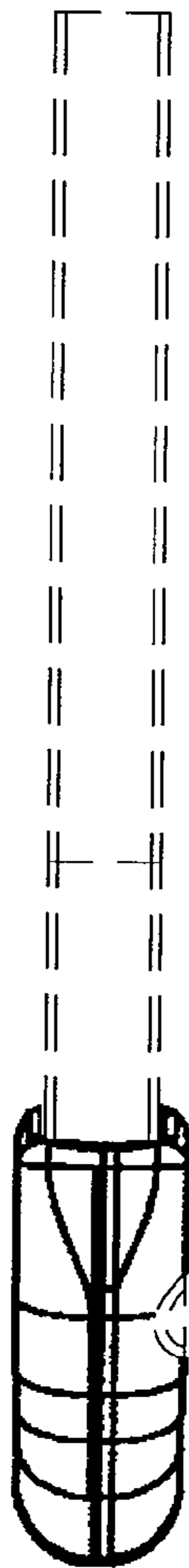
*FIG. 1*



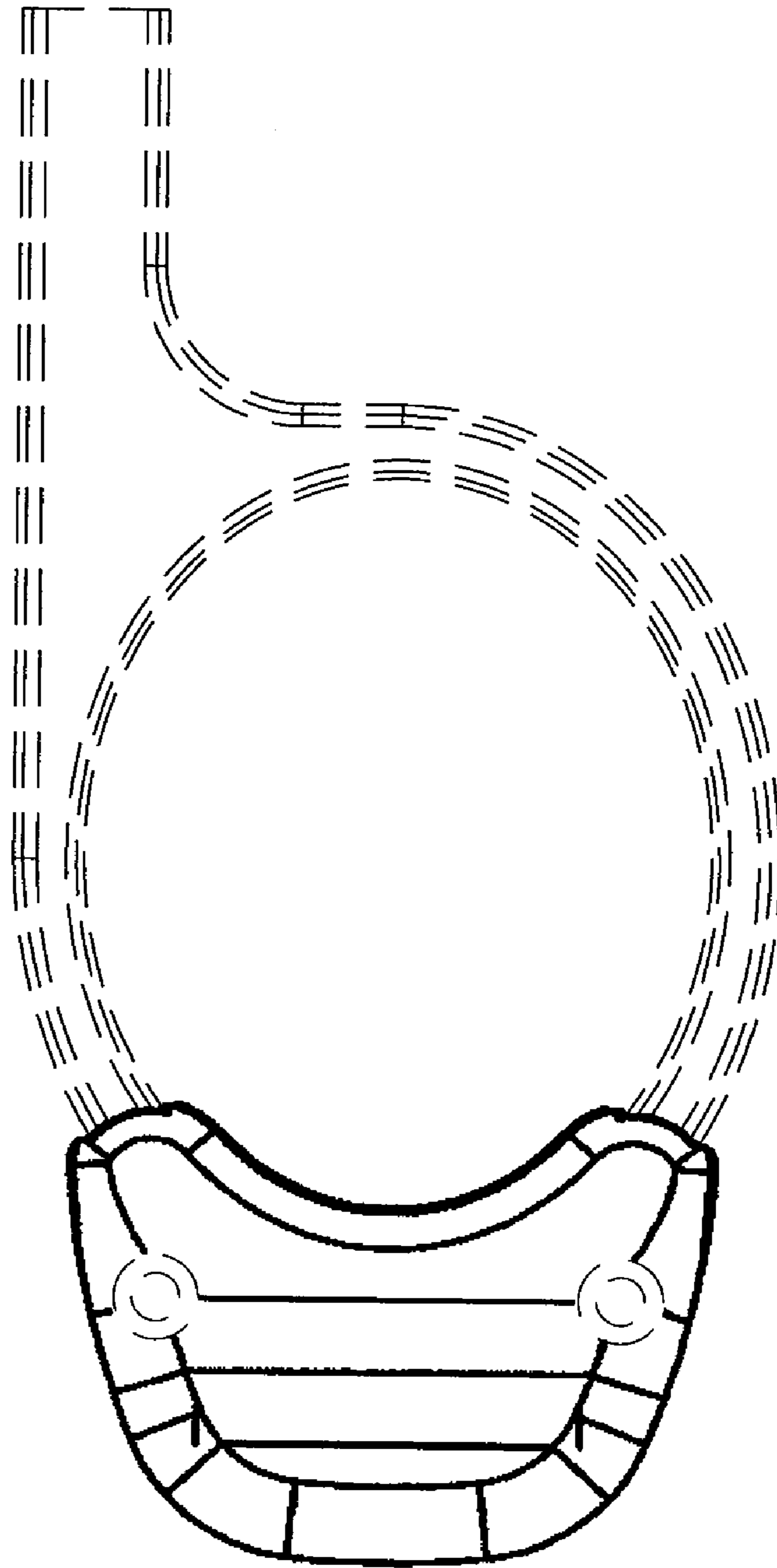
*FIG. 2*



*FIG. 3*



*FIG. 4*



*FIG. 5*