

US00D568185S

(12) **United States Design Patent**
Sakai et al.

(10) **Patent No.:** **US D568,185 S**

(45) **Date of Patent:** **** May 6, 2008**

(54) **ARRANGEMENT OF INFORMATION AREAS FOR DISPLAY SCREEN OF CAR NAVIGATION SYSTEM**

D543,876 S * 6/2007 Kalis et al. D10/65
D544,381 S * 6/2007 Lammers-Meis et al. D10/65

FOREIGN PATENT DOCUMENTS

(75) Inventors: **Masashi Sakai**, Kadoma (JP); **Minoru Iwasaki**, Kadoma (JP)

JP D1233782 3/2005

* cited by examiner

(73) Assignee: **Matsushita Electric Industrial Co., Ltd.**, Osaka (JP)

Primary Examiner—Antoine D. Davis
(74) *Attorney, Agent, or Firm*—Brinks Hofer Gilson & Lione

(**) Term: **14 Years**

(21) Appl. No.: **29/286,213**

(57) **CLAIM**

(22) Filed: **Apr. 27, 2007**

We claim the ornamental design for an arrangement of information areas for display screen of car navigation system, as shown and described.

(30) **Foreign Application Priority Data**

DESCRIPTION

Dec. 28, 2006 (JP) 2006-036166

(51) **LOC (8) Cl.** **10-04**

(52) **U.S. Cl.** **D10/65**

(58) **Field of Classification Search** D10/65,
D10/80; D14/347; 342/351, 419, 457, 357.06–357.13;
343/702; 345/87, 104, 133, 156, 168, 173,
345/901–905; 348/180, 184, 315, 739; 364/444,
364/499; 701/206–209, 213, 214
See application file for complete search history.

FIG. 1 is a top perspective view of an arrangement of information areas for display screen of car navigation system of the present invention;
FIG. 2 is a front view thereof;
FIG. 3 is a rear view thereof;
FIG. 4 is a top view thereof;
FIG. 5 is a right side view thereof, the left side view being a mirror image thereof; and,
FIG. 6 is a bottom view thereof.

(56) **References Cited**

U.S. PATENT DOCUMENTS

D467,512 S * 12/2002 Miyazaki D10/65
D514,003 S * 1/2006 Kim D10/65
D540,203 S * 4/2007 Jeon D10/65
D541,186 S * 4/2007 Lammers-Meis et al. D10/65
D541,682 S * 5/2007 Uno D10/65

The ornamental design which is claimed is shown in solid lines in the drawings. Any broken lines in the drawings are for illustrative purposes only and form no part of the claimed design.

1 Claim, 3 Drawing Sheets

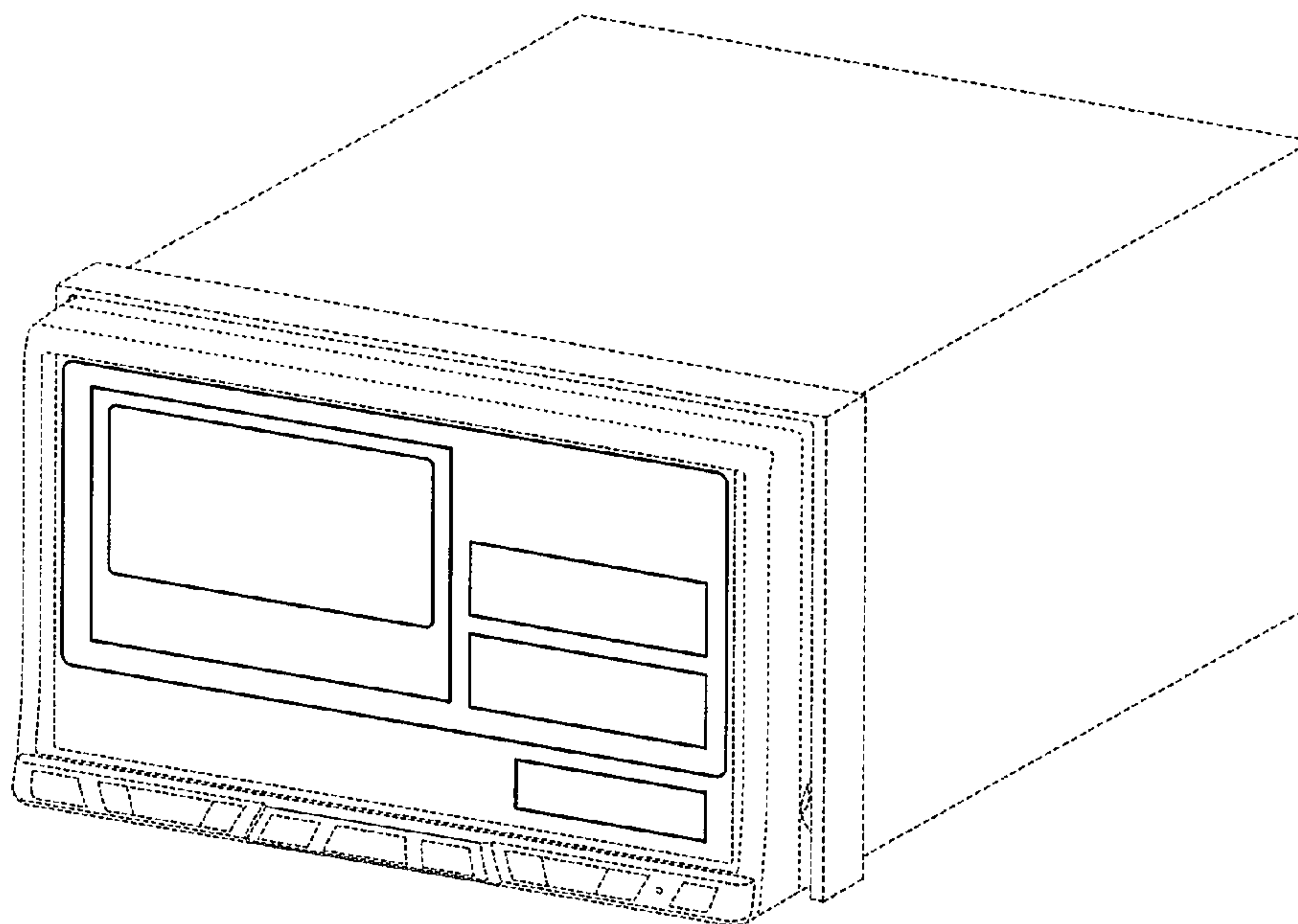


FIG.1

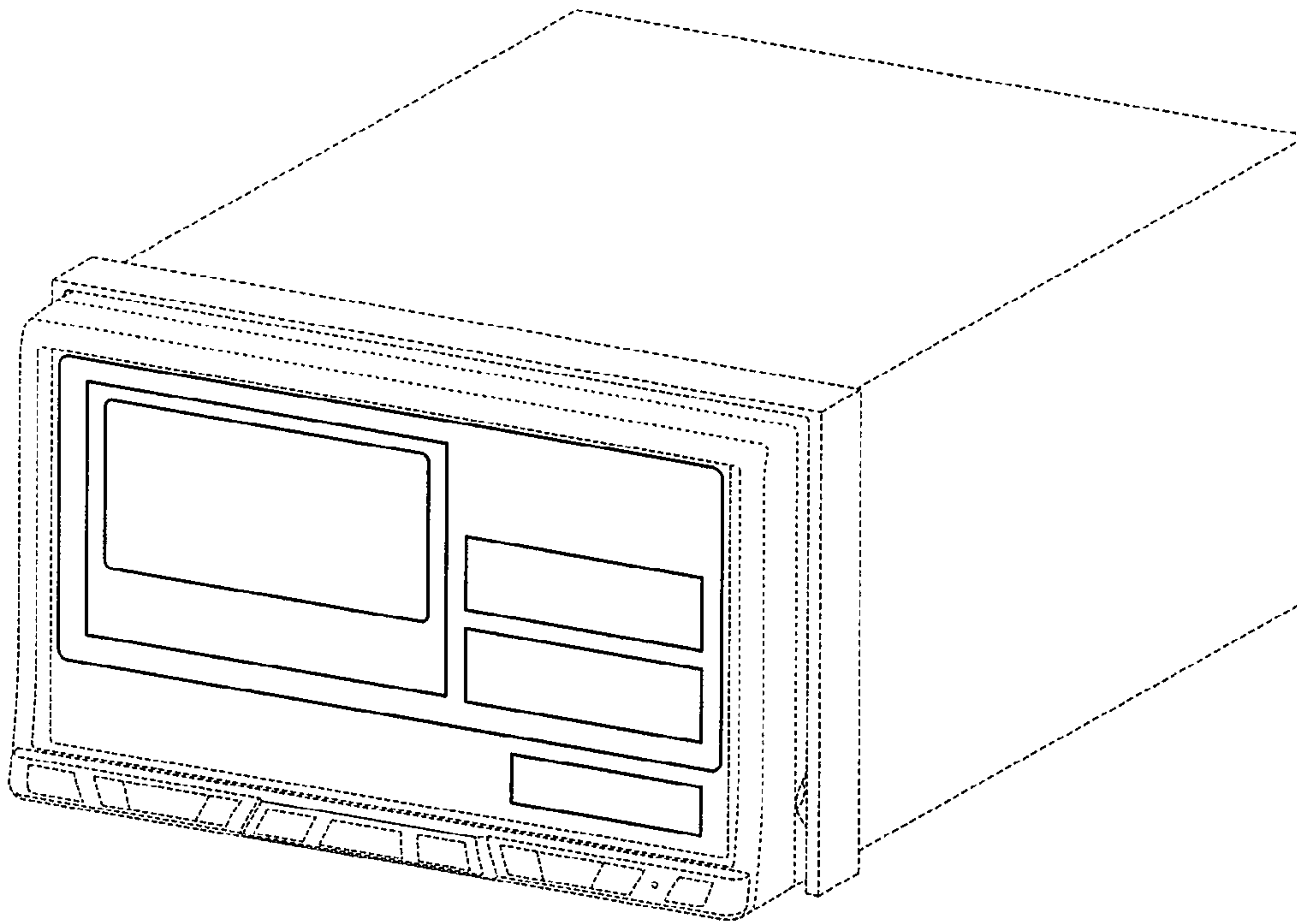


FIG.2

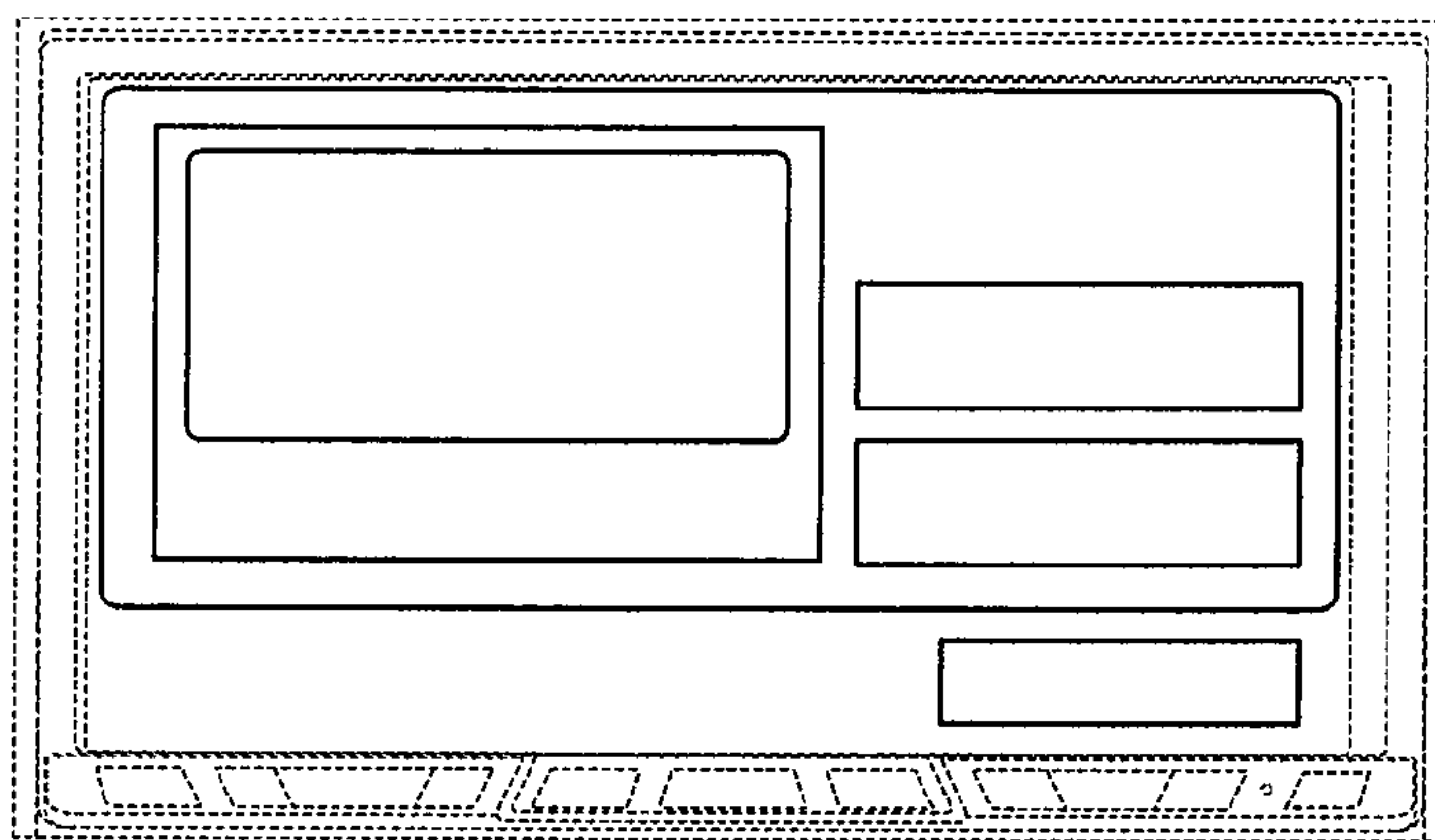


FIG.3

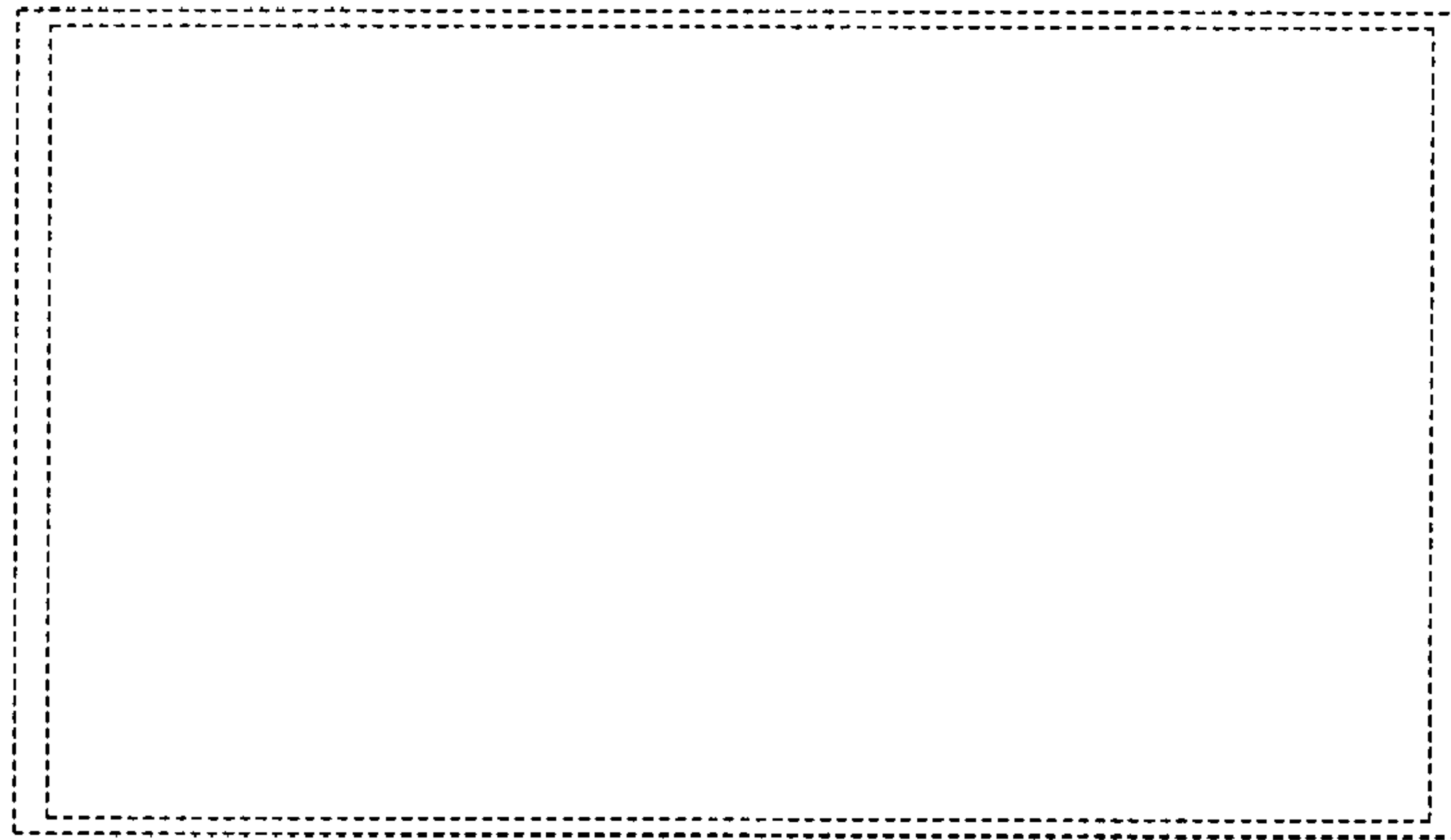


FIG.4

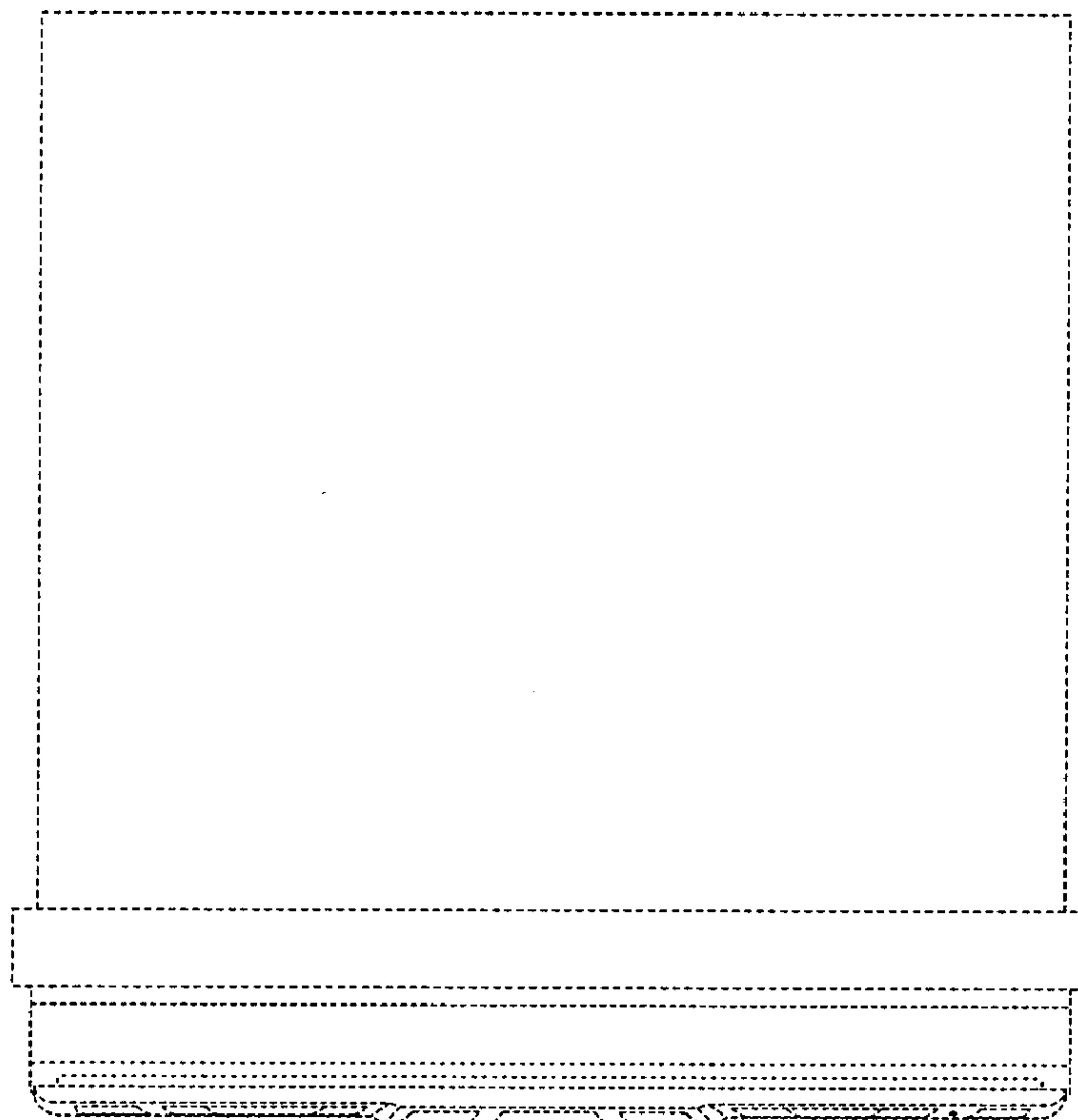


FIG.5



FIG.6

