

US00D568184S

(12) **United States Design Patent**  
**Rogell**

(10) **Patent No.:** **US D568,184 S**

(45) **Date of Patent:** **\*\* May 6, 2008**

(54) **FASCIA BOARD SUPPORT AND POSITIONING TOOL ASSEMBLY**

(76) Inventor: **Jay Michael Rogell**, 3501 Stage Springs Rd., Creston, CA (US) 93432

(\*\*) Term: **14 Years**

(21) Appl. No.: **29/281,229**

(22) Filed: **Jun. 19, 2007**

**Related U.S. Application Data**

(62) Division of application No. 11/764,743, filed on Jun. 18, 2007.

(51) **LOC (8) Cl.** ..... **10-04**

(52) **U.S. Cl.** ..... **D10/65; D10/64**

(58) **Field of Classification Search** ..... D8/71-74;  
D10/64-65; 33/645; 269/41, 152, 153,  
269/37, 45, 904, 93, 98

See application file for complete search history.

(56) **References Cited**

**U.S. PATENT DOCUMENTS**

4,836,517 A	6/1989	Vossler	
5,192,059 A	3/1993	Silver	
5,611,189 A	3/1997	Fleck	
D438,126 S *	2/2001	Pickering	..... D10/65
6,318,711 B1 *	11/2001	Auston, Jr.	..... 269/41
6,820,868 B1	11/2004	Reymus	

\* cited by examiner

*Primary Examiner*—Antoine D. Davis

(74) *Attorney, Agent, or Firm*—William Keyworth; Bill & Mary Lou Inc.

(57) **CLAIM**

The ornamental design for a fascia board support and positioning tool assembly, as shown and described.

**DESCRIPTION**

FIG. 1 is a front view of the fascia board support and positioning tool assembly with the angular adjustment set for a flat roof pitch.

FIG. 2 is a left side view thereof.

FIG. 3 is a right side view thereof.

FIG. 4 is a rear view thereof.

FIG. 5 is a top view thereof.

FIG. 6 is a bottom view thereof.

FIG. 7 is a perspective view thereof with the angle adjustment set for an angled roof pitch.

FIG. 8 is an exploded perspective view of the fascia board support and positioning tool assembly showing the arrangement and assembly of the parts. The individual parts of the assembly are embraced by a bracket.

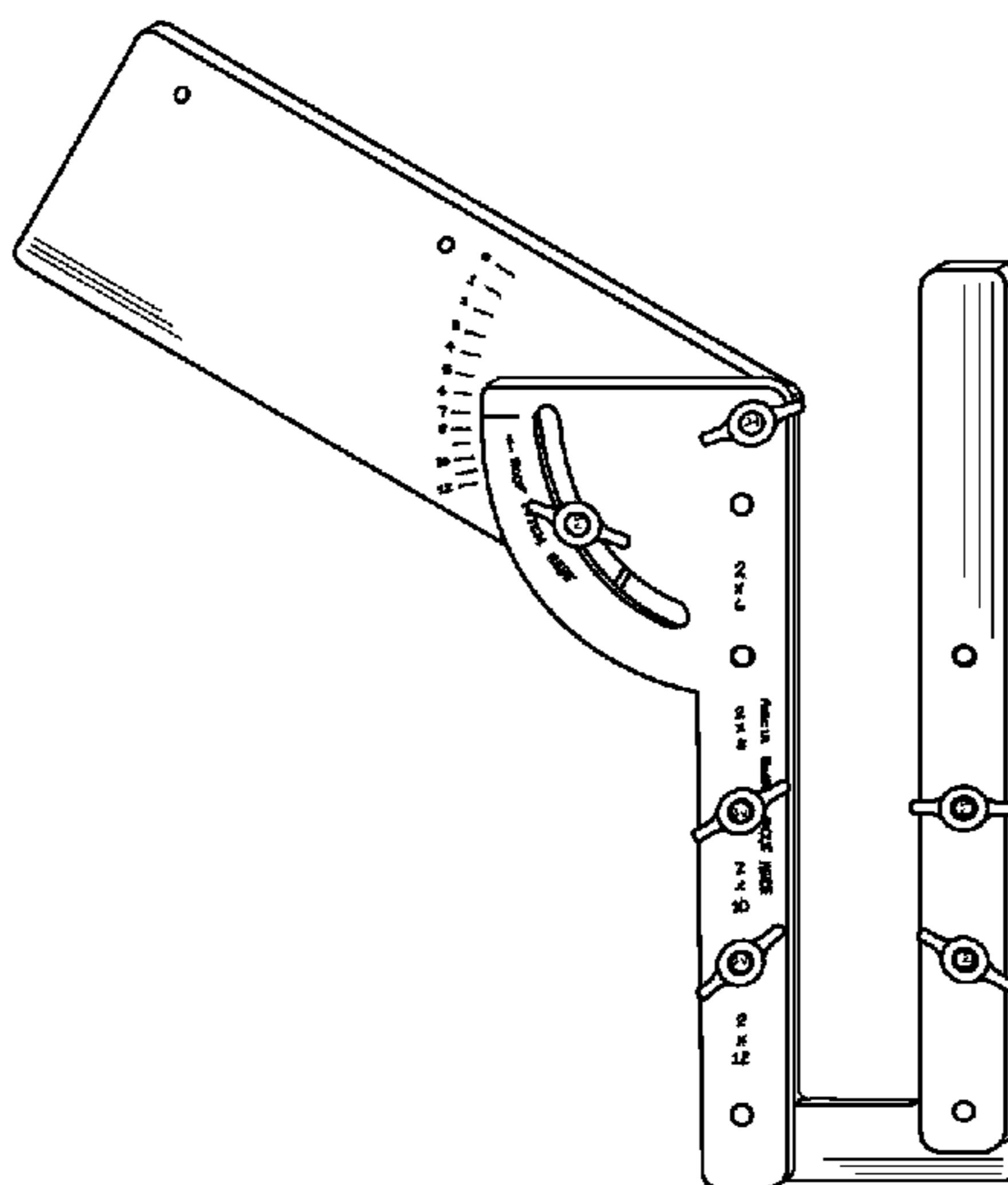
FIG. 9 is a perspective view of the fascia board support and positioning tool assembly illustrating the nature and environmental use of the claimed design in supporting and positioning a fascia board. The broken line showing of the fascia board, roof rafter, and wall framing members is for illustrative purposes only and forms no part of the claimed design.

FIG. 10 is a perspective view of the fascia board support and positioning tool assembly in an embodiment with a fixed height outer fascia board support.

FIG. 11 is a perspective view of the fascia board support and positioning tool assembly in an embodiment with a fine adjustment support; and,

FIG. 12 is a perspective view of the fascia board support and positioning tool assembly in an embodiment with a fixed height outer fascia board support and a fine adjustment support.

**1 Claim, 6 Drawing Sheets**



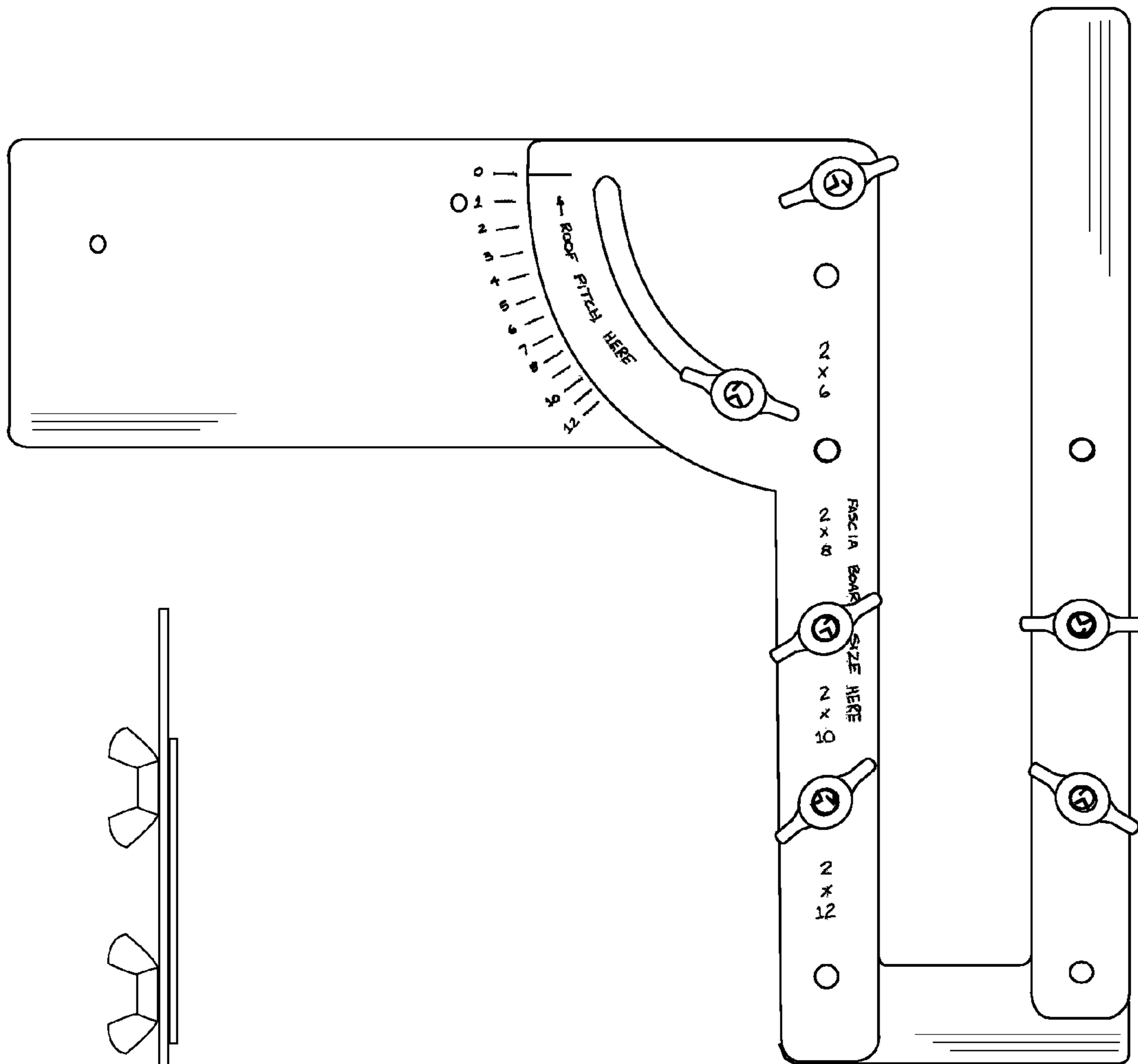


Fig. 2

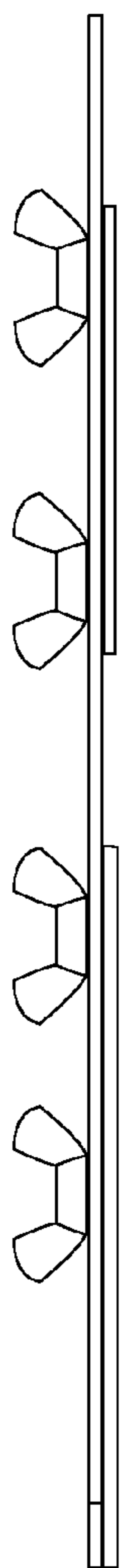


Fig. 1

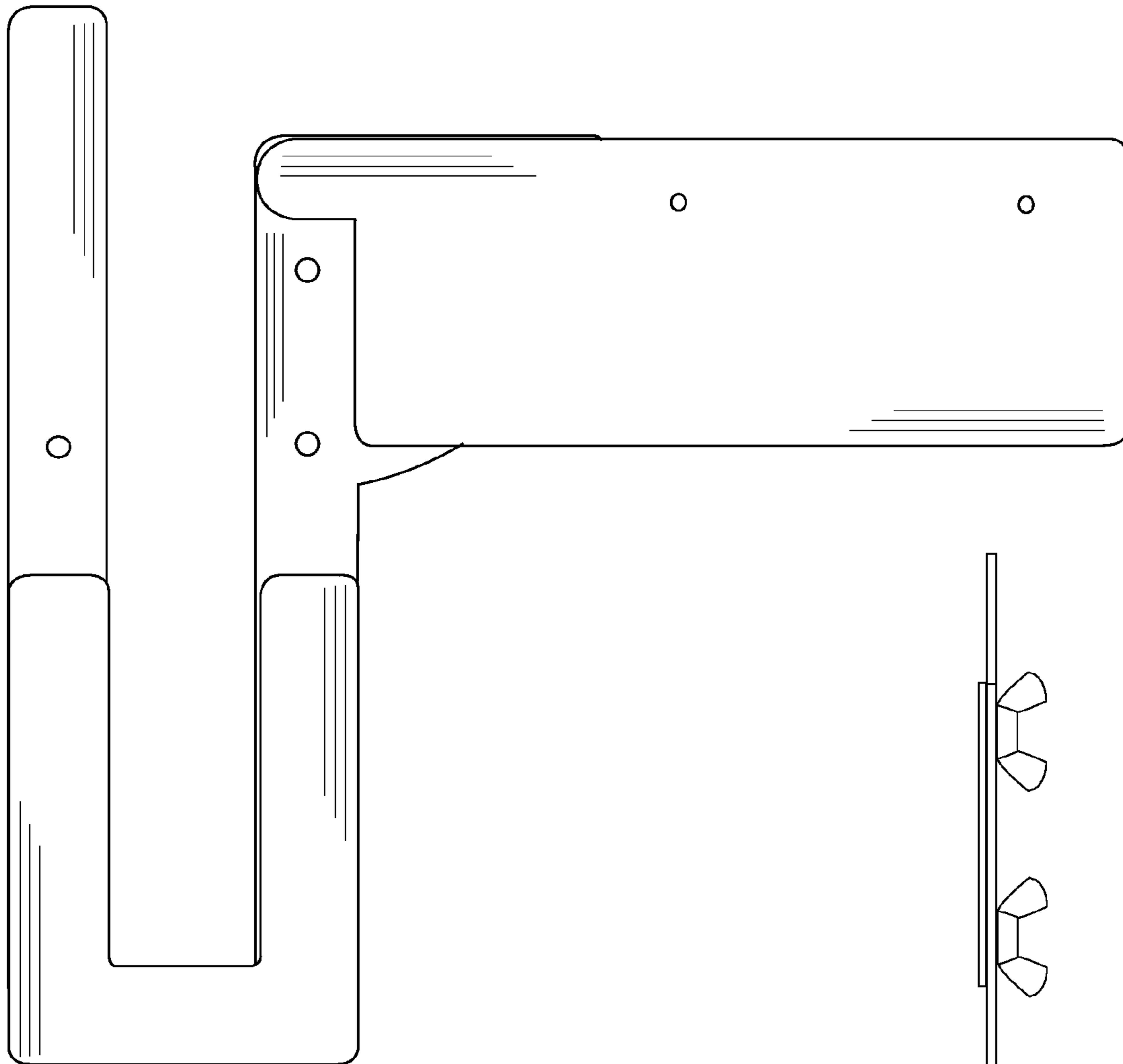


Fig. 3

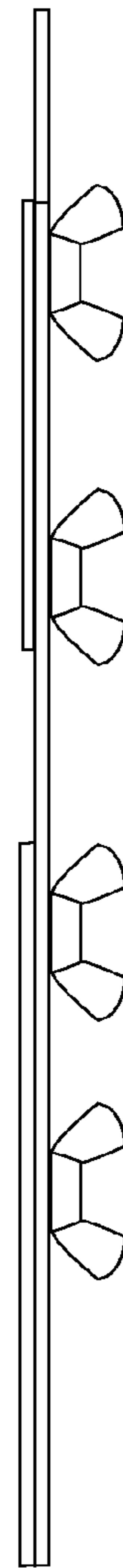


Fig. 4

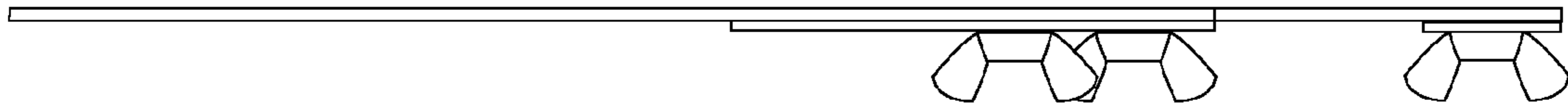


Fig. 5

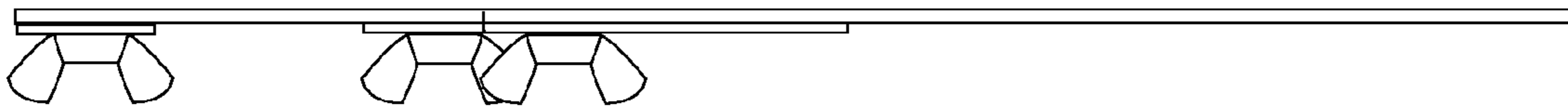


Fig. 6

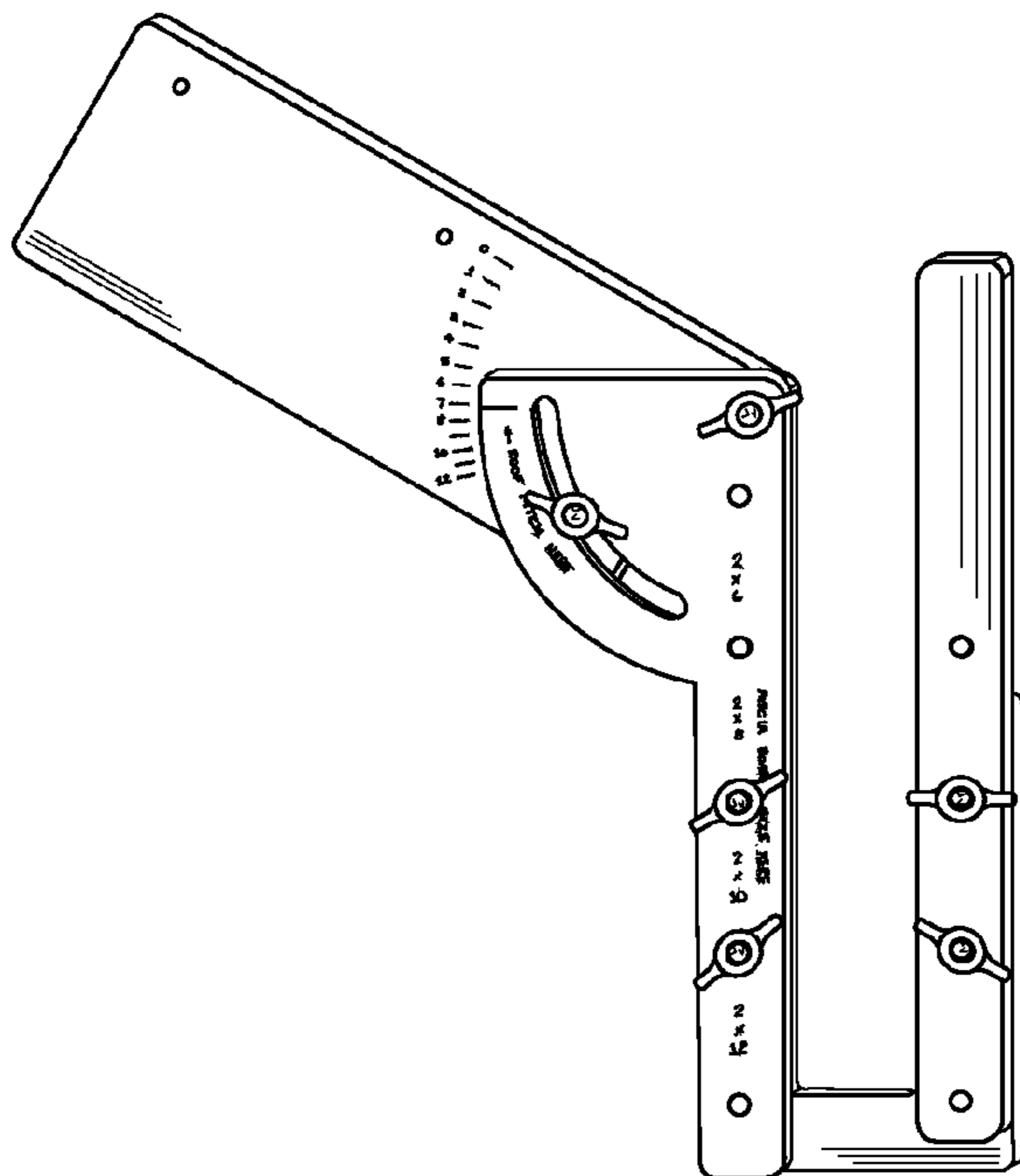


Fig. 7



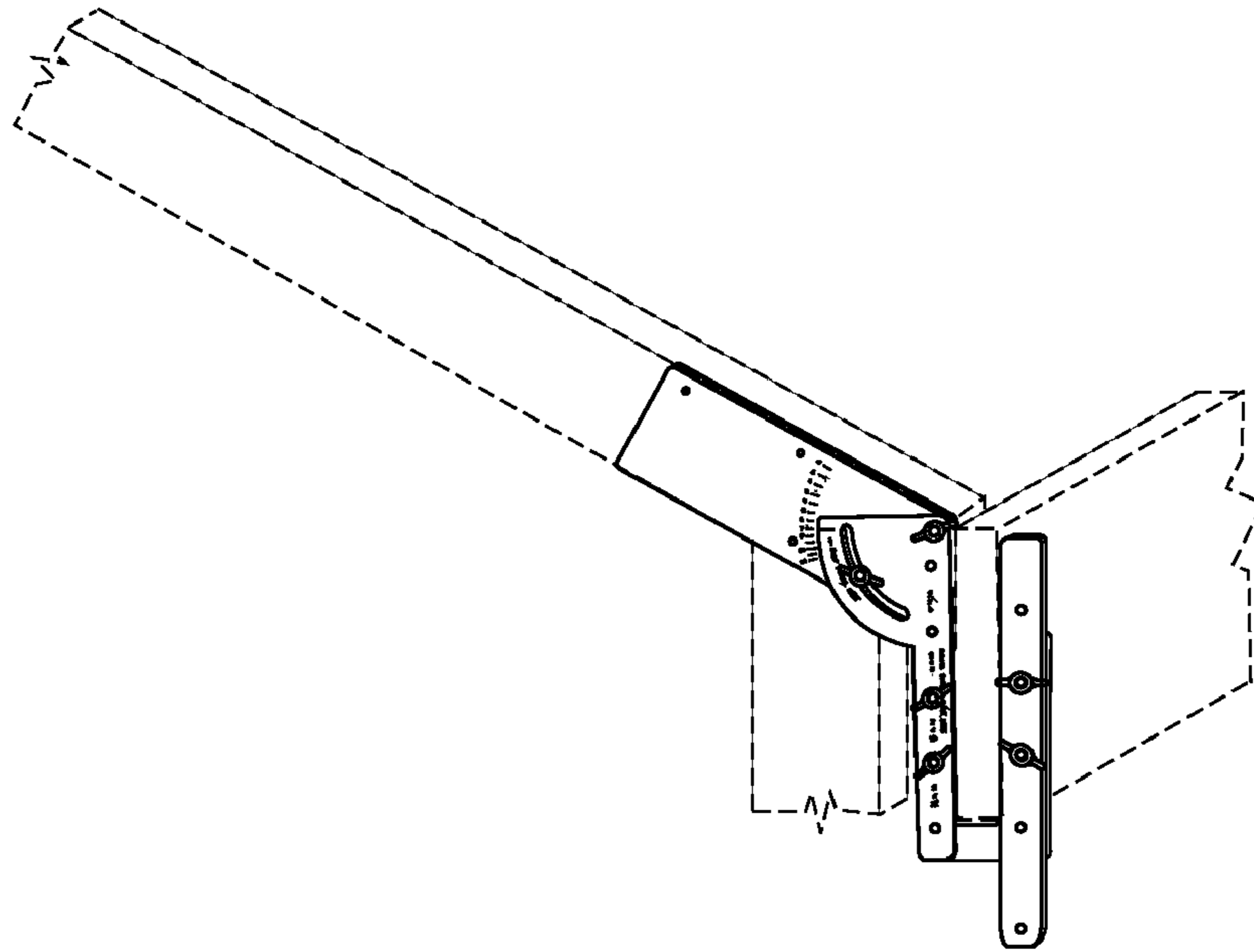


Fig. 9

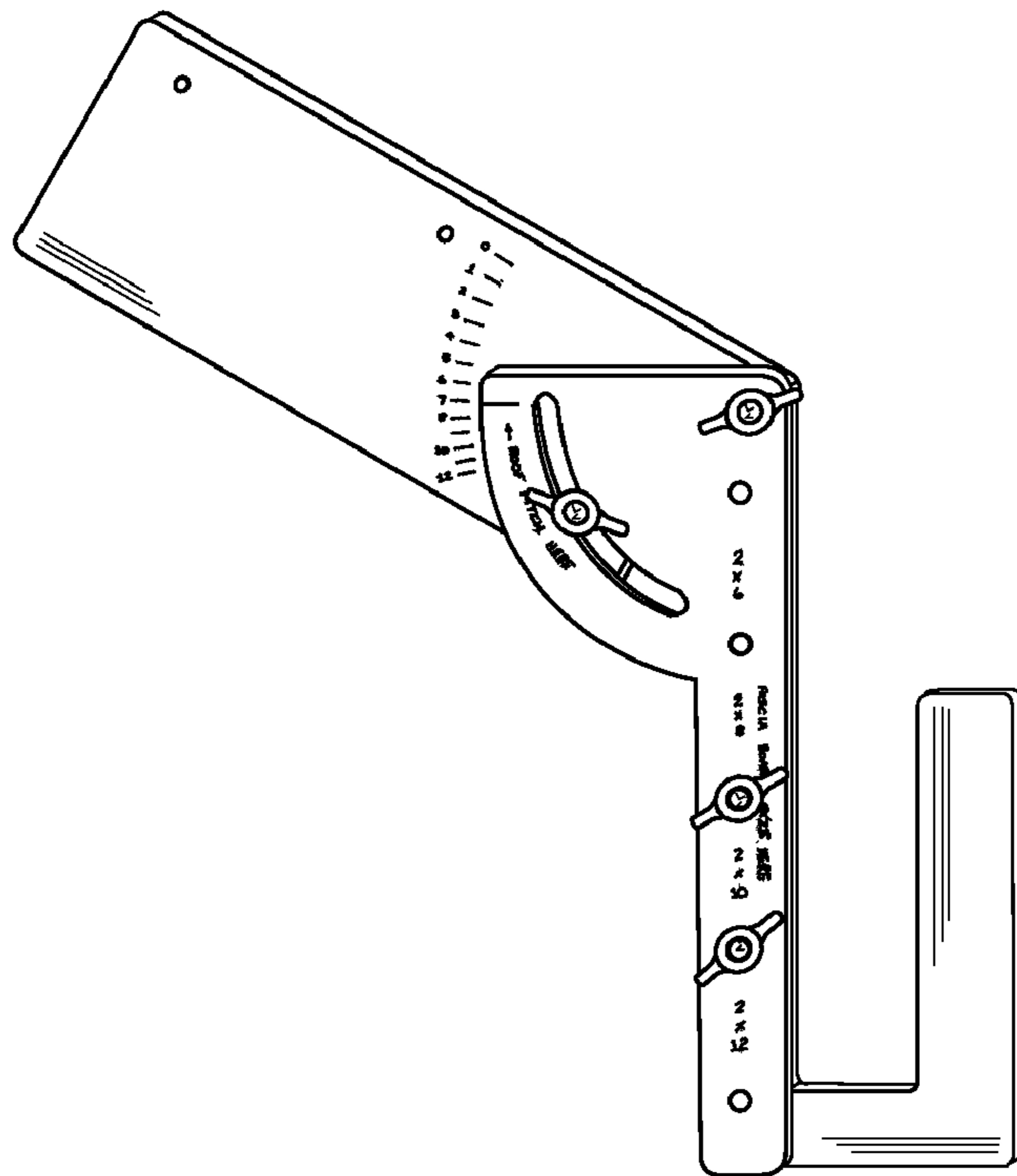


Fig. 10

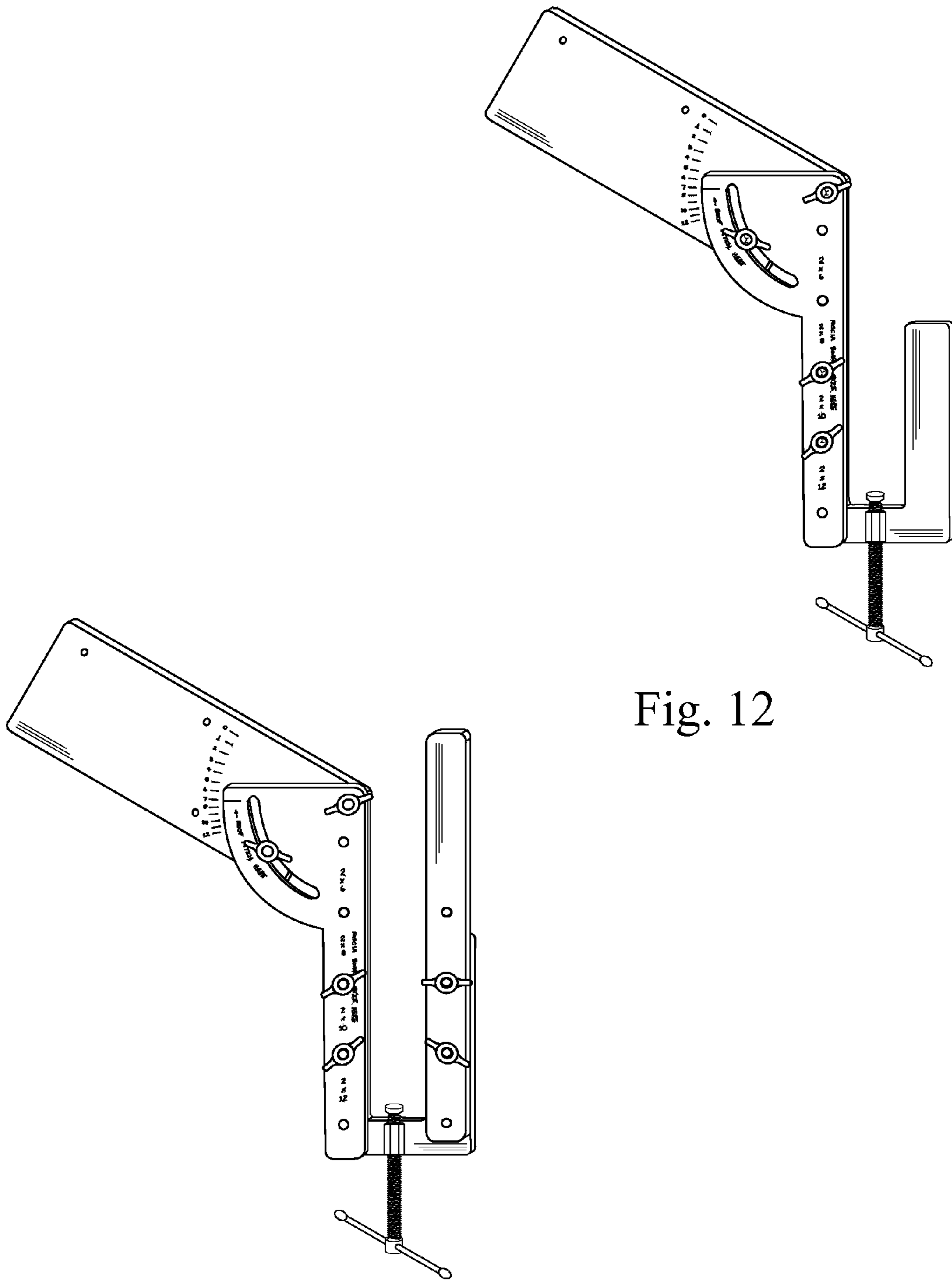


Fig. 12

Fig. 11