



US00D568180S

(12) **United States Design Patent**  
**Laucella**

(10) **Patent No.:** **US D568,180 S**

(45) **Date of Patent:** **\*\* May 6, 2008**

(54) **WATCH**

(75) Inventor: **Vincent Laucella**, Le Brassus (CH)

(73) Assignee: **Montres Breguet SA**, L'Abbaye (CH)

(\*\*) Term: **14 Years**

(21) Appl. No.: **29/295,040**

(22) Filed: **Sep. 20, 2007**

(30) **Foreign Application Priority Data**

Mar. 22, 2007 (WO) ..... DM/068 700

(51) **LOC (8) Cl.** ..... **10-02**

(52) **U.S. Cl.** ..... **D10/39**

(58) **Field of Classification Search** ..... D10/30-39,  
D10/122-132; 368/276, 281, 282, 285, 223,  
368/234, 228, 232, 80

See application file for complete search history.

(56) **References Cited**

**U.S. PATENT DOCUMENTS**

1,950,189	A *	3/1934	Pejchar	.....	368/21
2,857,734	A *	10/1958	Weigenant	.....	368/14
D339,751	S *	9/1993	Besson	.....	D10/39
D350,288	S *	9/1994	Giardiello	.....	D10/30
D368,664	S *	4/1996	Schick et al.	.....	D10/39
D371,079	S *	6/1996	Mijatovic	.....	D10/39
D438,473	S *	3/2001	Dumas	.....	D10/39

D457,818	S *	5/2002	Avranches	.....	D10/39
6,826,122	B2 *	11/2004	Zaugg	.....	368/28
D505,342	S *	5/2005	Hayek	.....	D10/39
D508,653	S *	8/2005	Roden	.....	D10/32
D519,390	S *	4/2006	Lovegrove	.....	D10/39
D530,628	S *	10/2006	Raffy	.....	D10/32
D547,211	S *	7/2007	Dias	.....	D10/39
D547,212	S *	7/2007	Dias	.....	D10/39
D552,490	S *	10/2007	Laucella	.....	D10/31
D559,128	S *	1/2008	Laucella	.....	D10/39
D559,131	S *	1/2008	Laucella	.....	D10/39

\* cited by examiner

*Primary Examiner*—Lucy Lieberman

(74) *Attorney, Agent, or Firm*—Collen IP; Donald J. Ranft

(57) **CLAIM**

The ornamental design for a watch, as shown and described.

**DESCRIPTION**

FIG. 1 is a front view showing my new, original and ornamental design for a watch;

FIG. 2 is a right side view thereof;

FIG. 3 is a left side view thereof;

FIG. 4 is a front perspective view thereof;

FIG. 5 is a bottom view thereof; and,

FIG. 6 is a top view thereof.

**1 Claim, 2 Drawing Sheets**



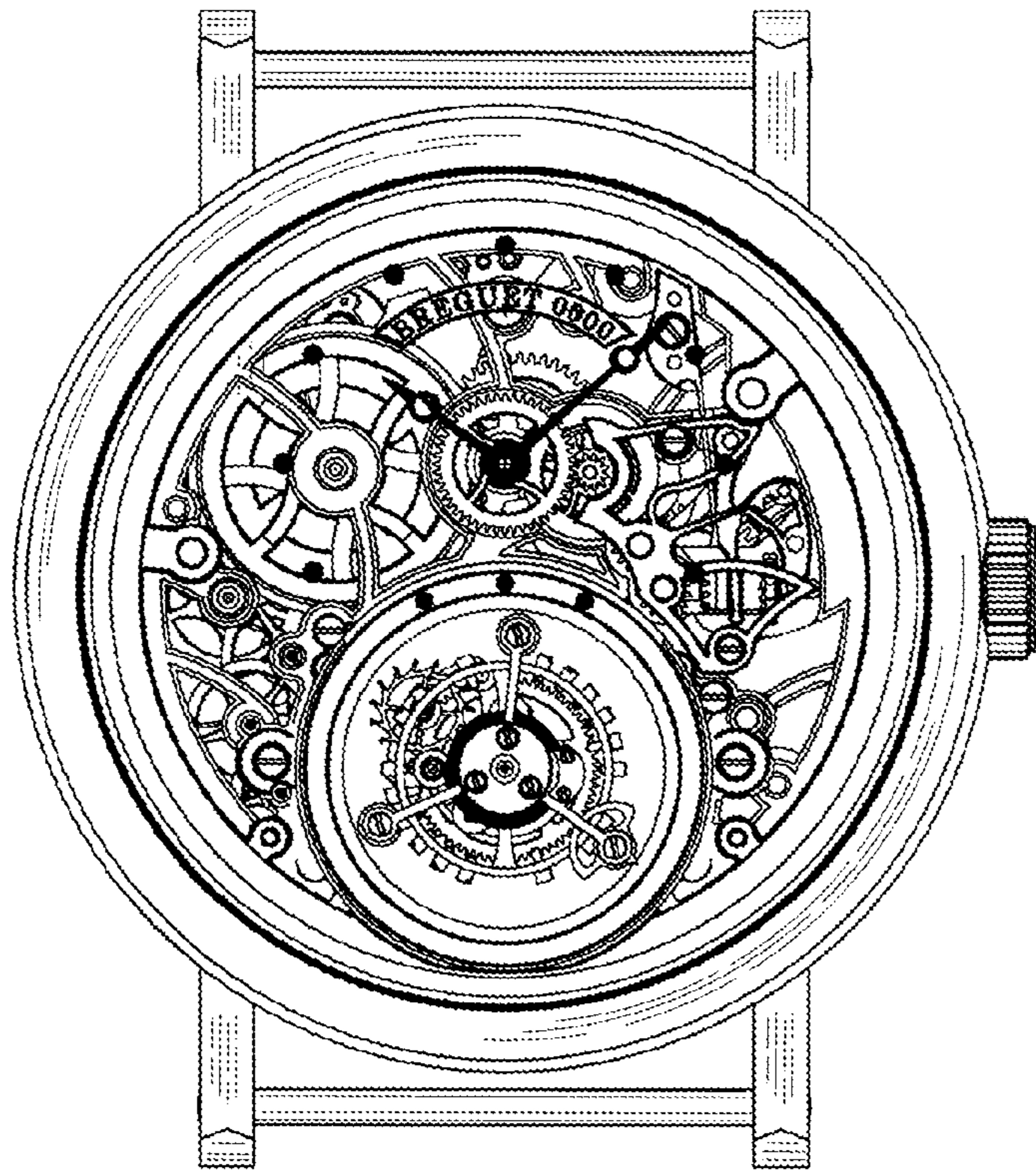


Fig. 1

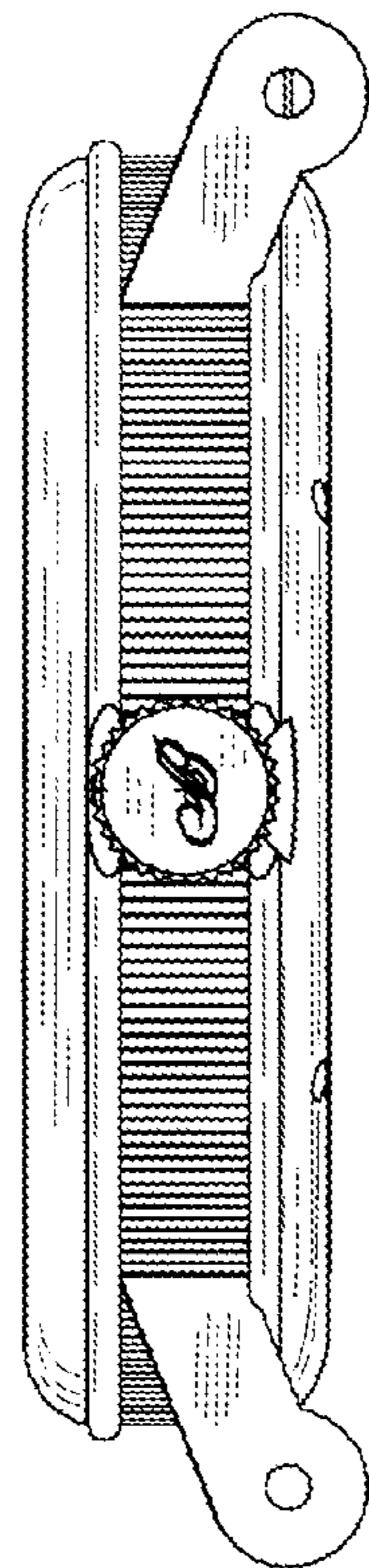


Fig. 2

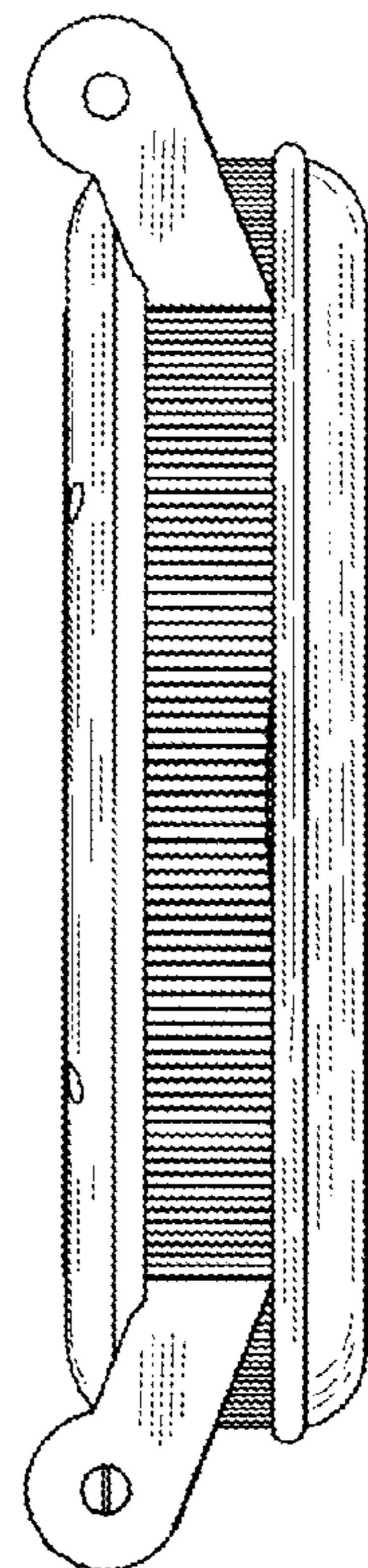


Fig. 3

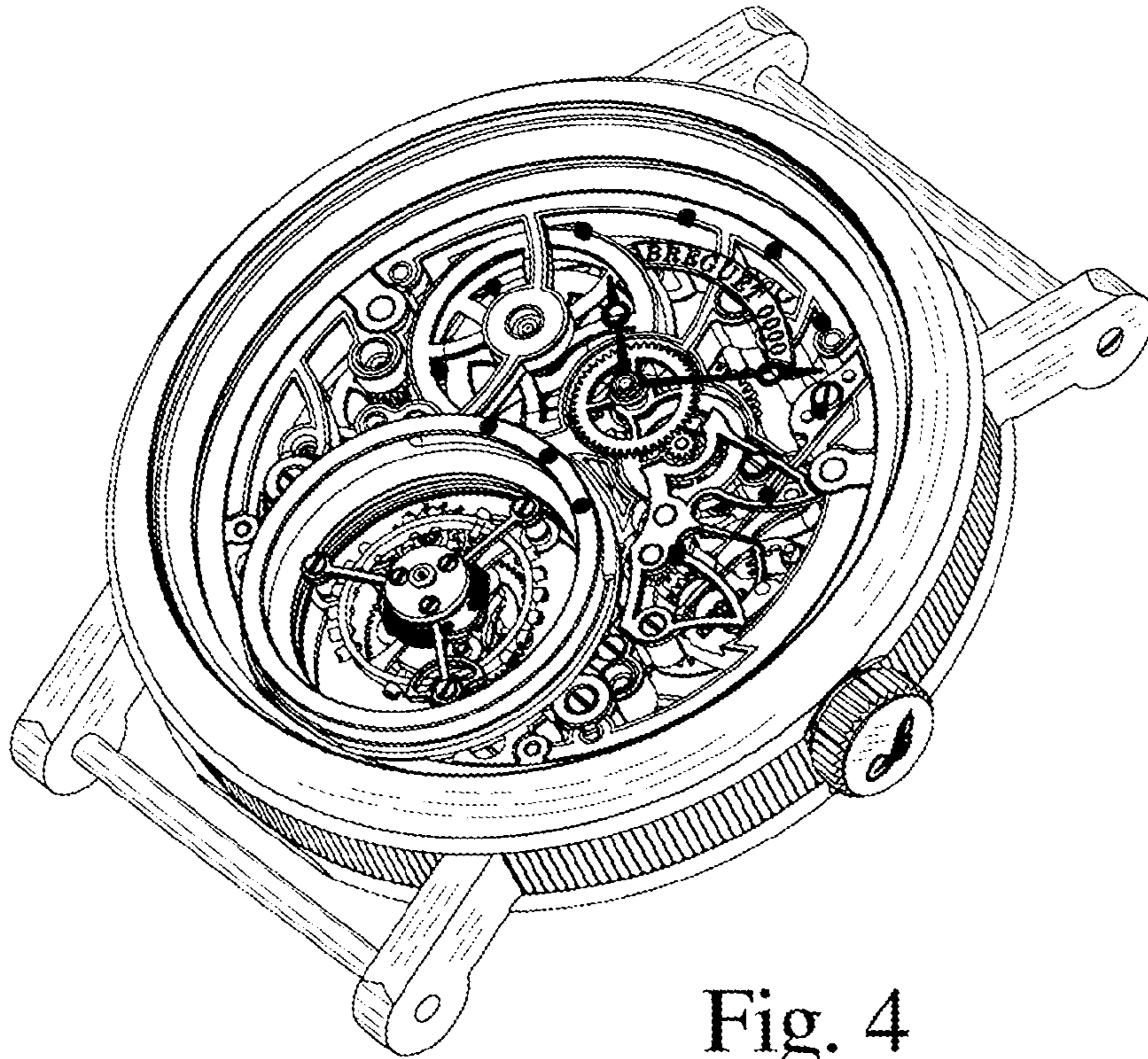


Fig. 4

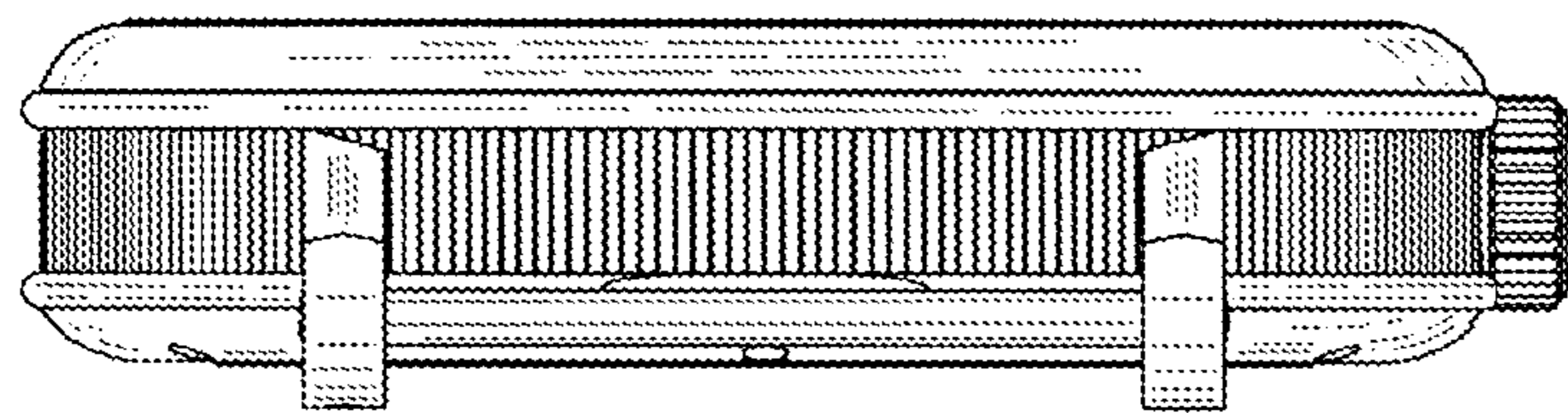


Fig. 5

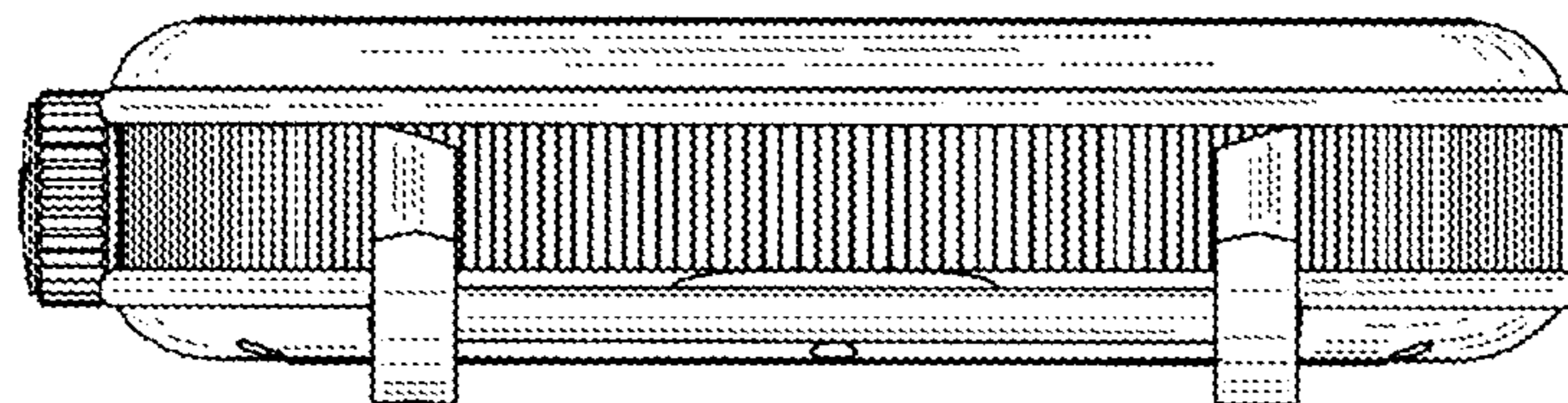


Fig. 6