

US00D568179S

(12) **United States Design Patent** (10) **Patent No.:** **US D568,179 S**
Shafa (45) **Date of Patent:** **** May 6, 2008**

(54) **WRIST WATCH**

(75) Inventor: **Daryoush Shafa**, Rueil Malmaison (FR)

(73) Assignee: **Robert Wan Luxury Ltd**, Wanchai (HK)

(**) Term: **14 Years**

(21) Appl. No.: **29/297,215**

(22) Filed: **Nov. 7, 2007**

(30) **Foreign Application Priority Data**

May 7, 2007 (EM) 000718507-0001

(51) **LOC (8) Cl.** **10-02**

(52) **U.S. Cl.** **D10/32**

(58) **Field of Classification Search** D10/30-39, D10/122-132; 368/276, 281, 282, 285, 294, 368/295, 308, 319, 223, 228, 232, 80, 28, 368/21

See application file for complete search history.

(56) **References Cited**

U.S. PATENT DOCUMENTS

2,191,020	A *	2/1940	Kaufmann	224/177
3,427,800	A *	2/1969	Blum	368/223
D297,817	S *	9/1988	Guan	D10/30
D327,654	S *	7/1992	Gueit	D10/32
D349,654	S *	8/1994	Giardiello	D10/39
D350,071	S *	8/1994	Giardiello	D10/32
D361,528	S *	8/1995	Hayashi et al.	D10/39

D363,029	S *	10/1995	Magninat	D10/39
D379,768	S *	6/1997	Osit	D10/30
D380,698	S *	7/1997	Paredes	D10/128
D380,971	S *	7/1997	Giardiello	D10/39
D384,295	S *	9/1997	Riley	D10/30
6,052,339	A *	4/2000	Frenkel et al.	368/230
D455,356	S *	4/2002	Saffer	D10/32
D484,815	S *	1/2004	Baumann	D10/32
D502,880	S *	3/2005	Bernheim	D10/32
D509,216	S *	9/2005	Yamamoto et al.	D14/344

* cited by examiner

Primary Examiner—Lucy Lieberman

(74) *Attorney, Agent, or Firm*—Young & Thompson

(57) **CLAIM**

The ornamental design for a wrist watch, as shown.

DESCRIPTION

FIG. 1 is a top and side perspective view of a wrist watch showing my new design;

FIG. 2 is a top plan view thereof;

FIG. 3 is a front view thereof;

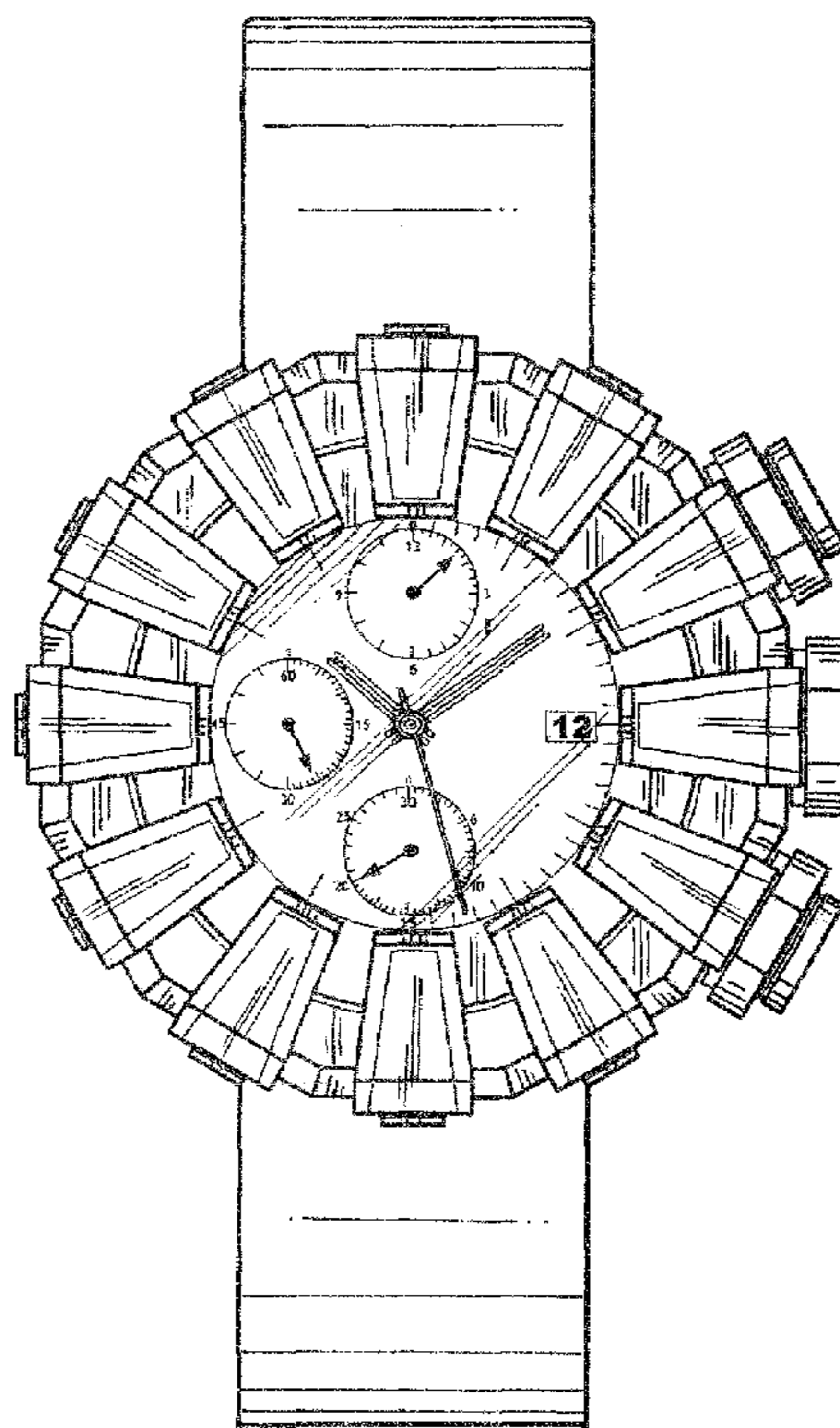
FIG. 4 is a rear view thereof;

FIG. 5 is a side elevational view thereof from the left of FIG. 3;

FIG. 6 is a side elevational view thereof from the right of FIG. 3; and,

FIG. 7 is a bottom plan view thereof.

1 Claim, 7 Drawing Sheets



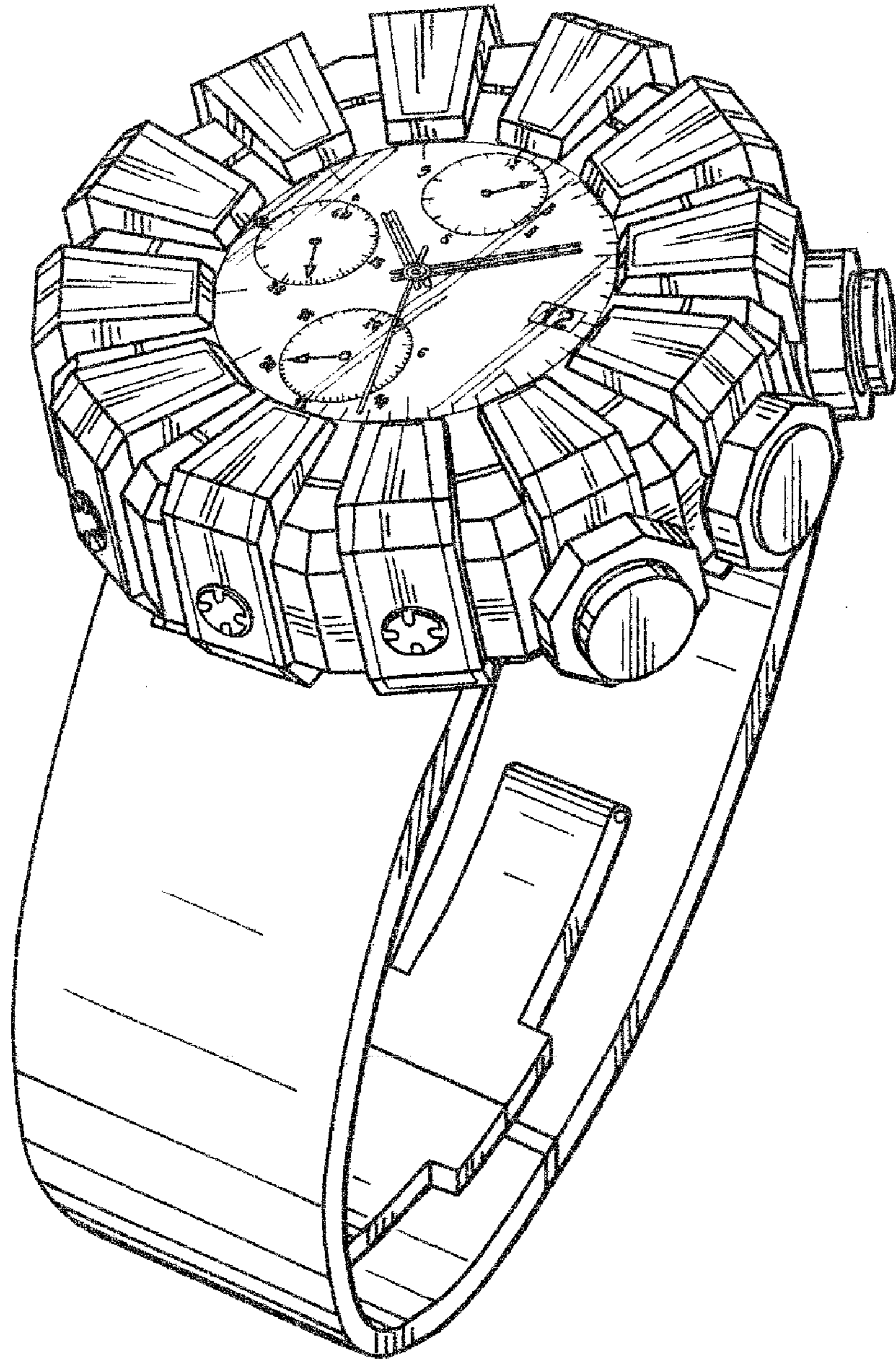


FIG. 1

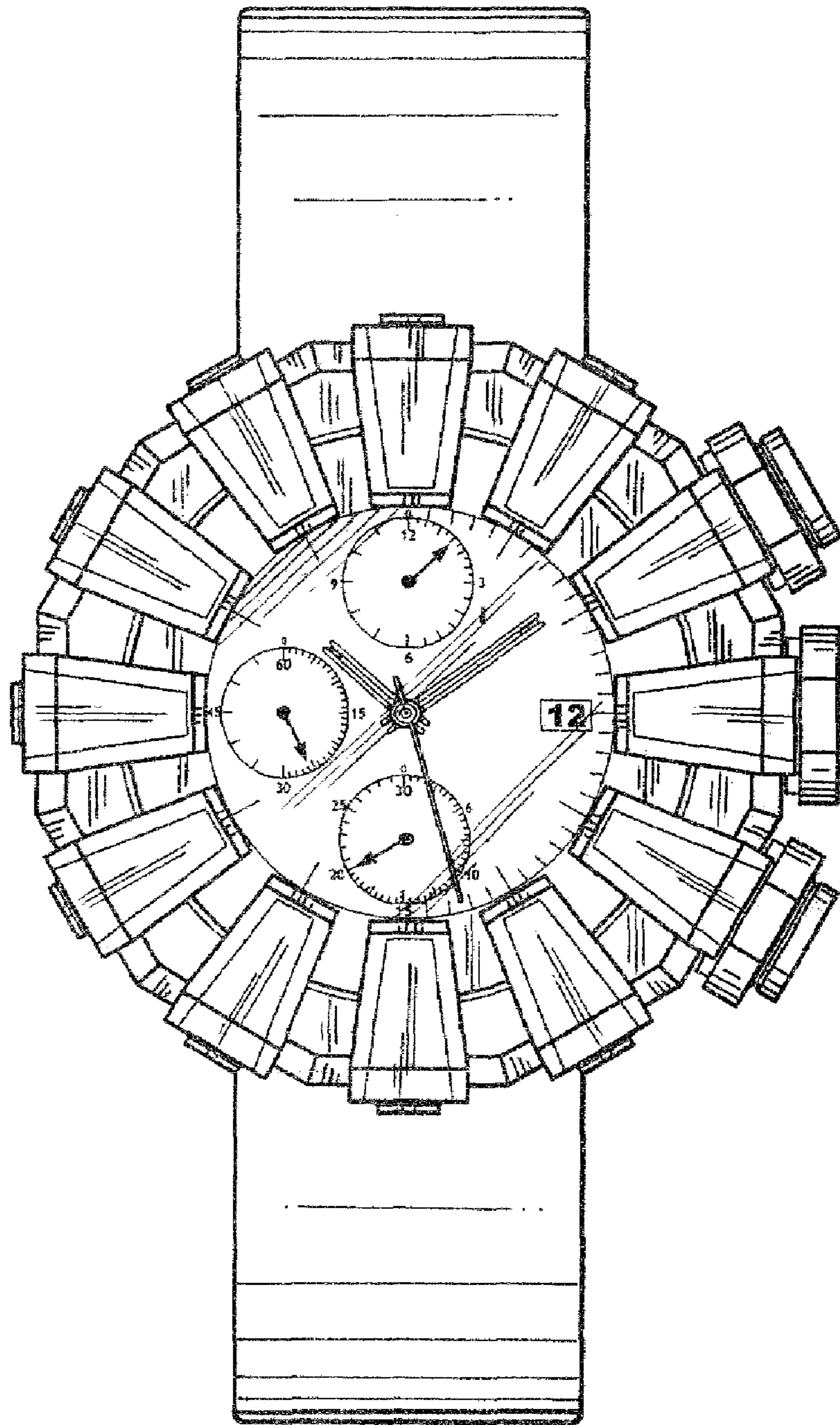


FIG. 2

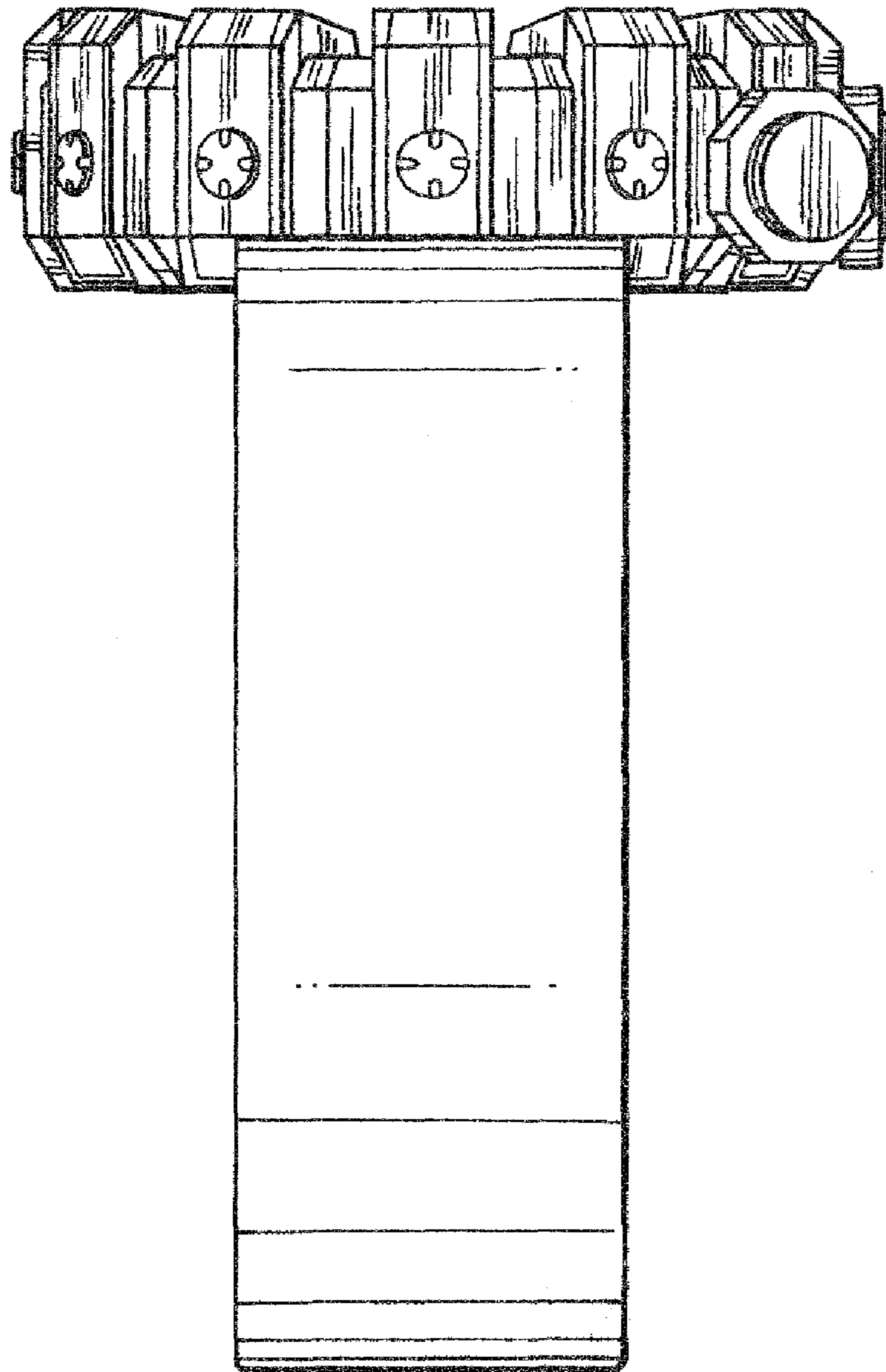


FIG. 3

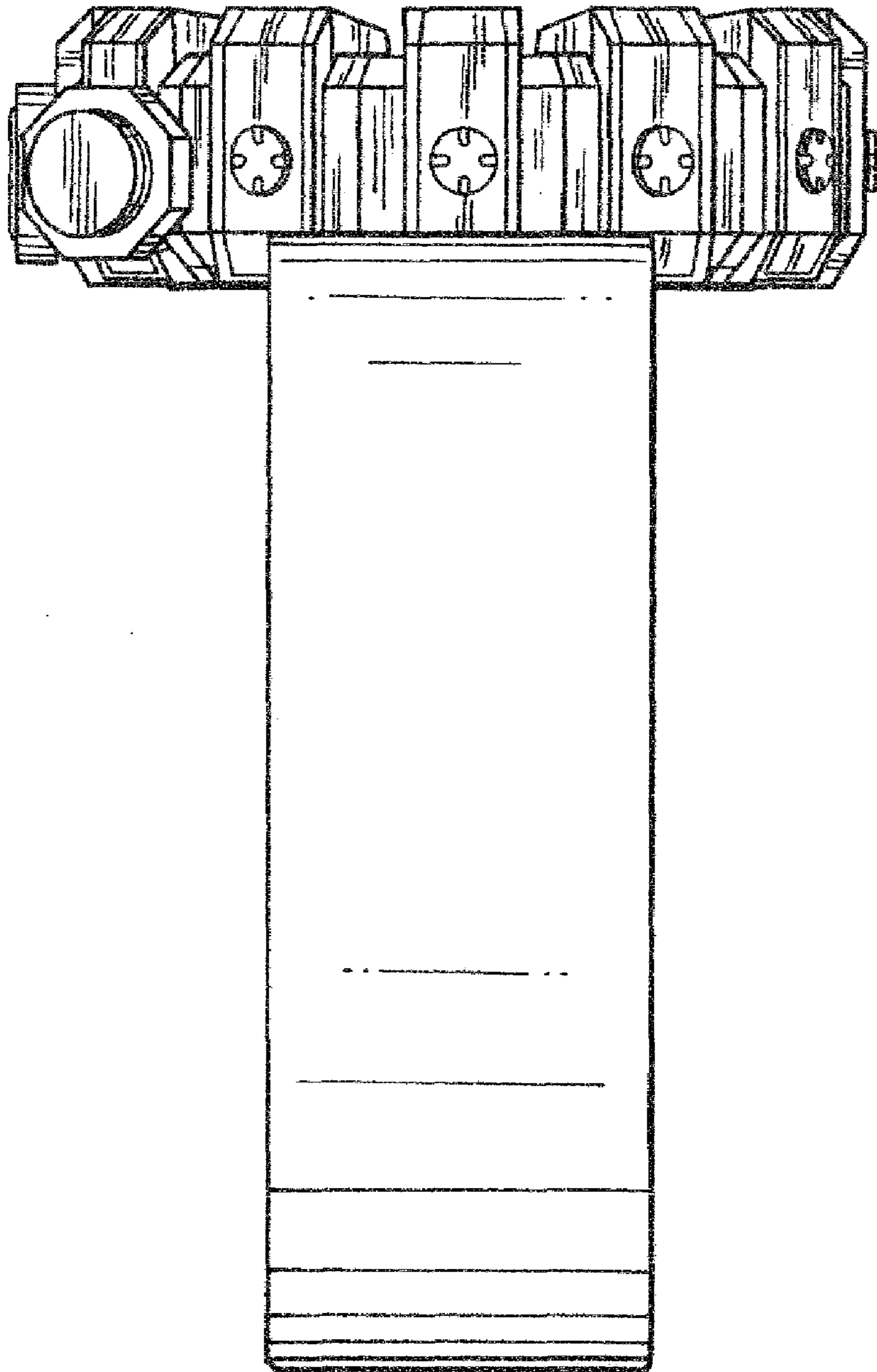


FIG. 4

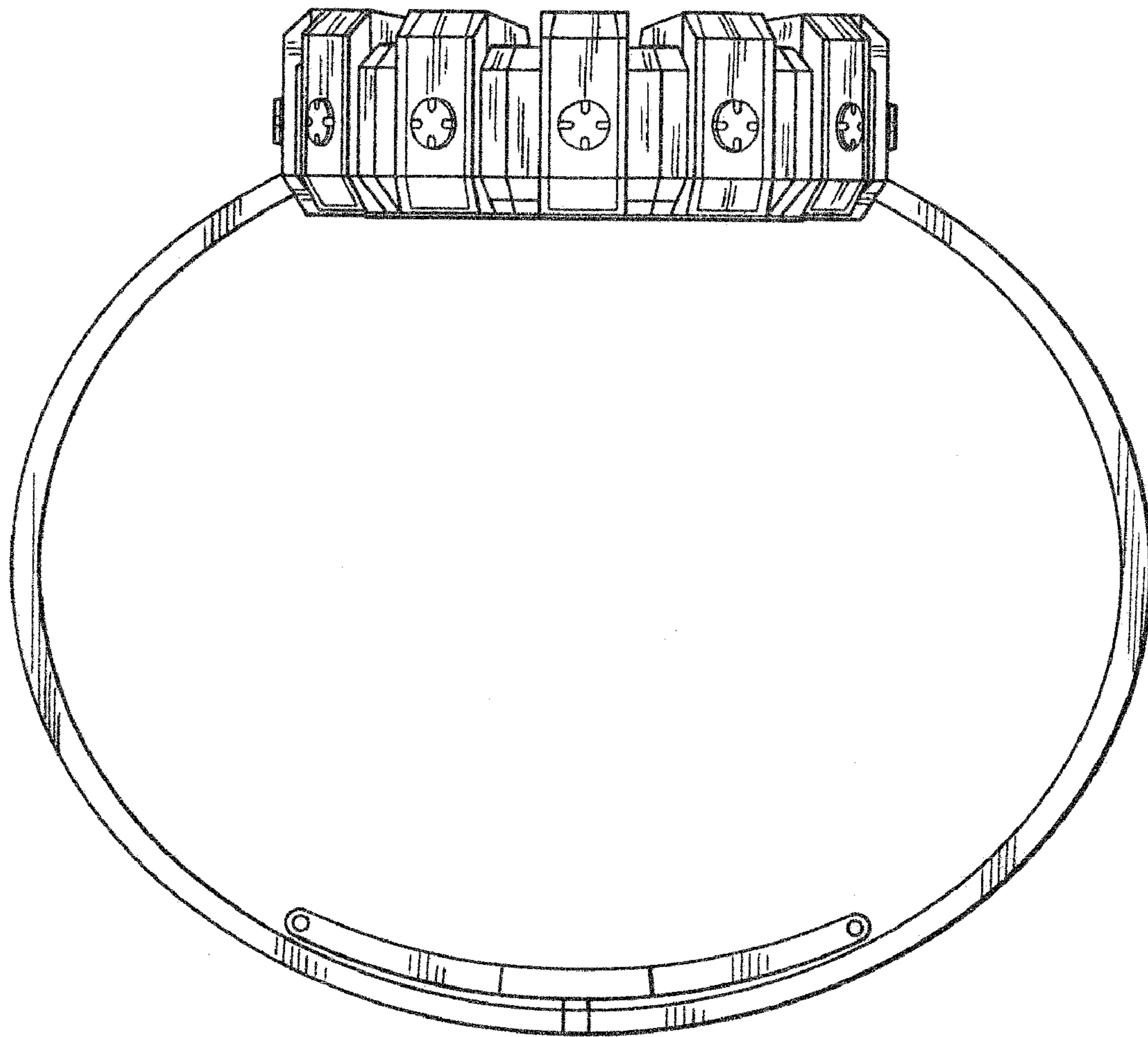


FIG. 5

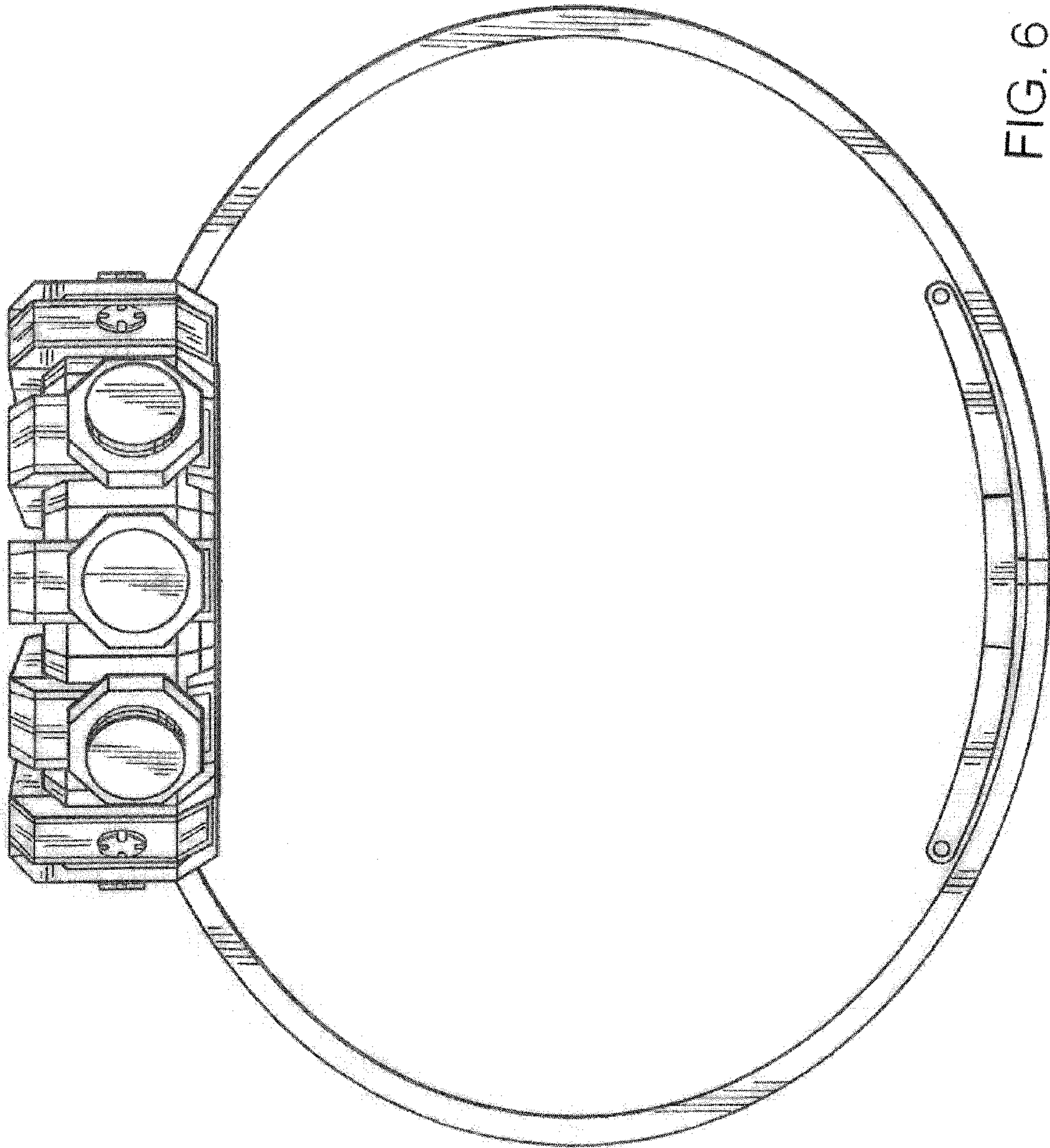


FIG. 6

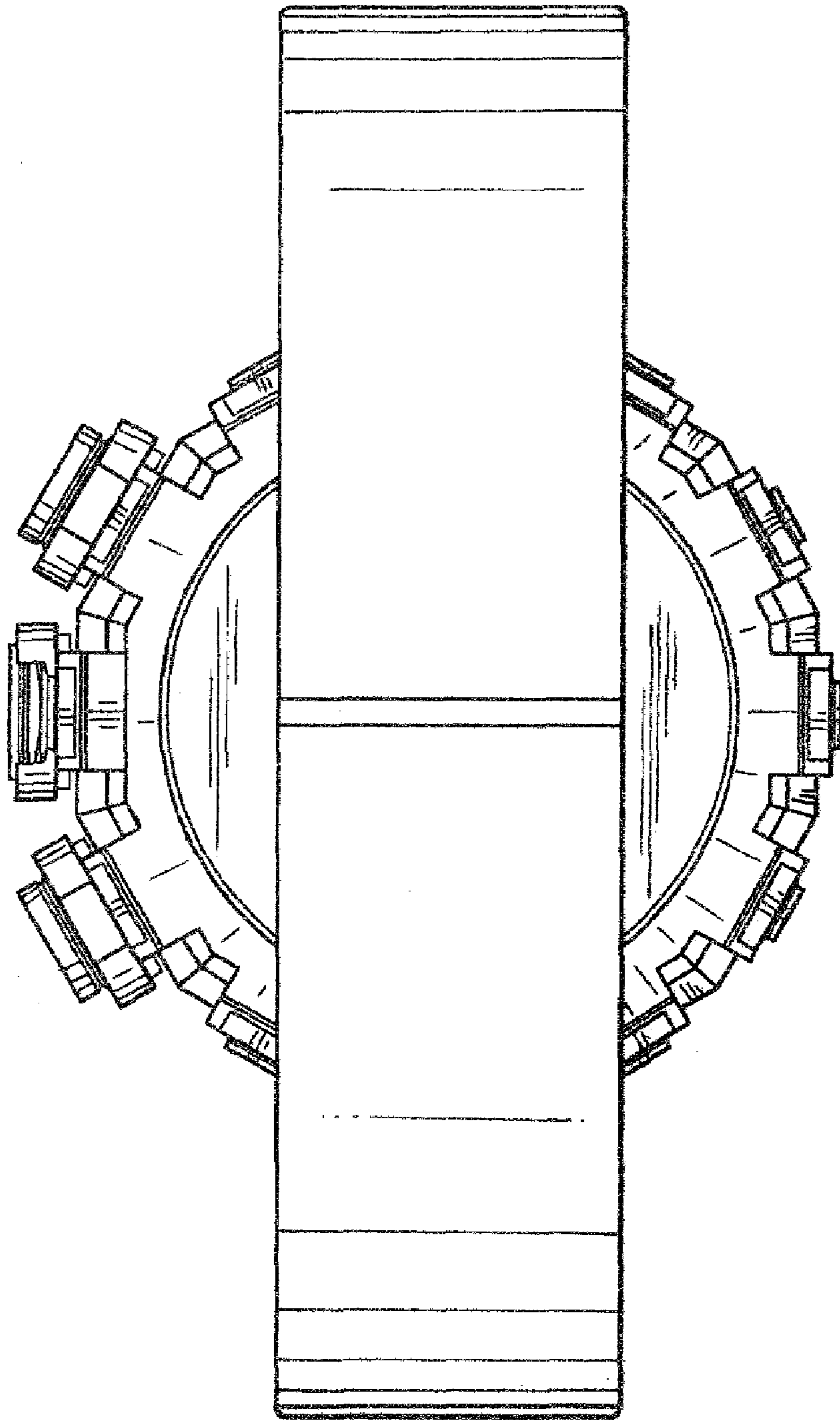


FIG. 7