



US00D568176S

(12) **United States Design Patent**
Monachon

(10) **Patent No.:** **US D568,176 S**

(45) **Date of Patent:** **** May 6, 2008**

(54) **WRISTWATCH**

(75) Inventor: **Jean-Claude Monachon**, La Biche
(CH)

(73) Assignee: **Omega SA (Omega AG) (Omega Ltd)**,
Biel/Bienne (CH)

(**) Term: **14 Years**

(21) Appl. No.: **29/284,488**

(22) Filed: **Sep. 10, 2007**

(30) **Foreign Application Priority Data**

Jun. 4, 2007 (WO) DM069 009

(51) **LOC (8) Cl.** **10-02**

(52) **U.S. Cl.** **D10/32**

(58) **Field of Classification Search** D10/30-39,
D10/122-126; 368/276, 277, 281, 282, 285,
368/80, 223, 228, 232, 21, 28; D11/3; 224/164;
63/3, 3.1

See application file for complete search history.

(56) **References Cited**

U.S. PATENT DOCUMENTS

1,684,977	A *	9/1928	Tost	59/80
4,364,669	A *	12/1982	Thoenig et al.	368/111
D268,332	S *	3/1983	Weil	D10/32
D278,605	S *	4/1985	Didisheim	D10/39
5,113,381	A *	5/1992	Sakamoto et al.	368/74
5,220,541	A *	6/1993	Vuilleumier	368/88
5,339,297	A *	8/1994	Suzuki et al.	368/321
D357,192	S *	4/1995	Schneider	D10/32
D365,286	S *	12/1995	Florian	D10/32
5,473,580	A *	12/1995	Gilomen et al.	368/28
D380,690	S *	7/1997	Riley	D10/30
D413,071	S *	8/1999	Fichter	D10/39

D443,833	S *	6/2001	Lepeu et al.	D10/32
D451,405	S *	12/2001	Yoshikawa et al.	D10/30
D474,118	S *	5/2003	Monachon	D10/32
6,570,823	B1 *	5/2003	Gilomen et al.	368/113
D490,722	S *	6/2004	Weismann et al.	D10/39
D502,120	S *	2/2005	Nataf	D10/126
D502,412	S *	3/2005	Monachon	D10/39
D538,182	S *	3/2007	Lalo	D10/32
D539,674	S *	4/2007	Vaptzarof	D10/38

OTHER PUBLICATIONS

Watches International VI, The Original Annual of the Worlds's
Finest Wristwatches, 2005, p. 399, Omega Constellation Double
Eagle Chronograph.*

Jeweler's Circular Keystone, Aug. 1985, p. 53, watch bands, top left
photographs.*

* cited by examiner

Primary Examiner—Lucy Lieberman

(74) *Attorney, Agent, or Firm*—Collen IP; Donald J. Ranft

(57) **CLAIM**

The ornamental design for a wristwatch, as shown and
described.

DESCRIPTION

FIG. 1 is front view of my new and original design for a
wristwatch;

FIG. 2 is a rear view thereof;

FIG. 3 is a bottom view thereof;

FIG. 4 is a top view thereof;

FIG. 5 is a right side view thereof;

FIG. 6 is a left side view thereof;

FIG. 7 is a front right perspective view thereof; and,

FIG. 8 is a rear perspective view thereof.

1 Claim, 4 Drawing Sheets





FIGURE 1

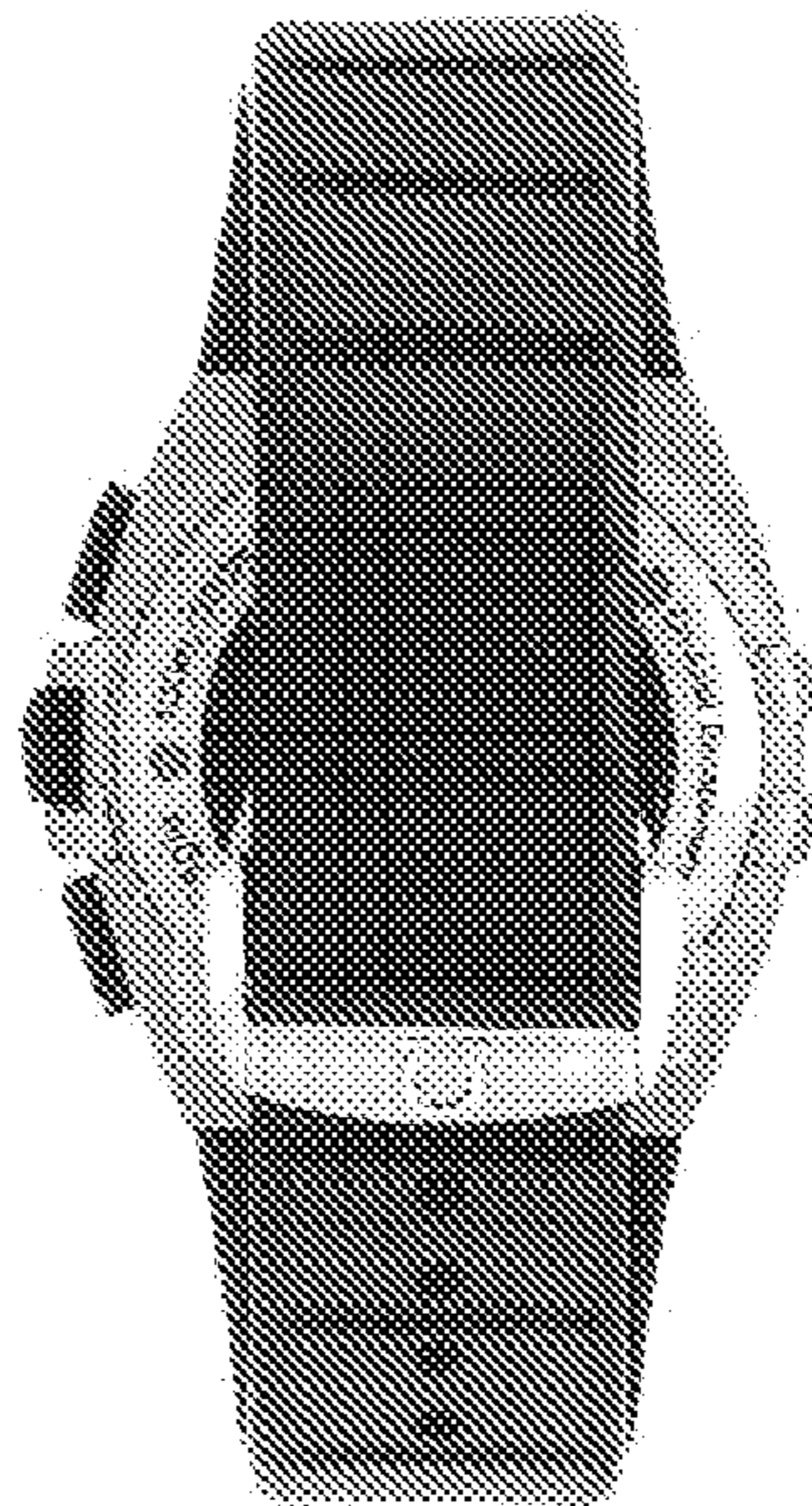


FIGURE 2

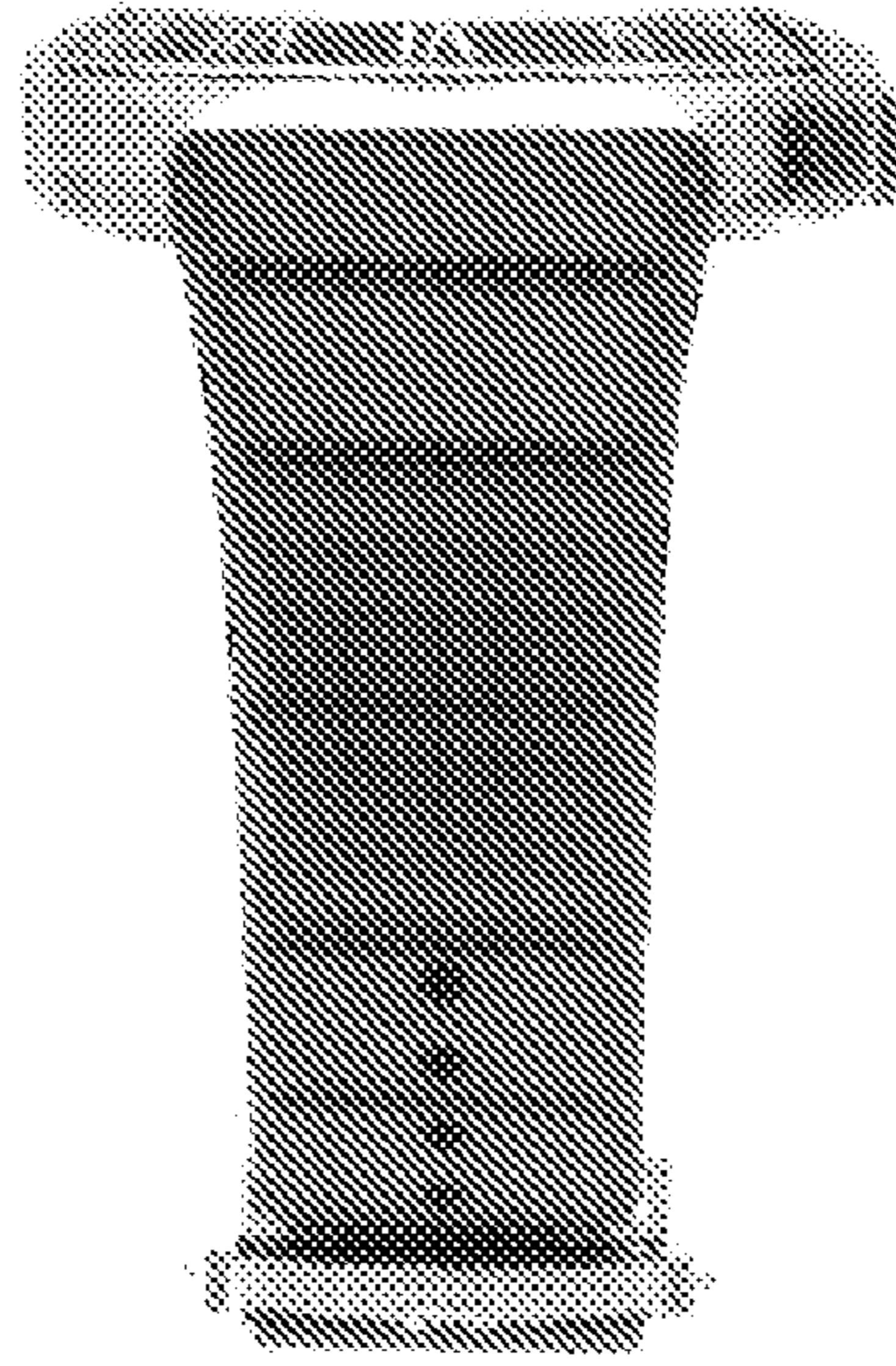


FIGURE 3

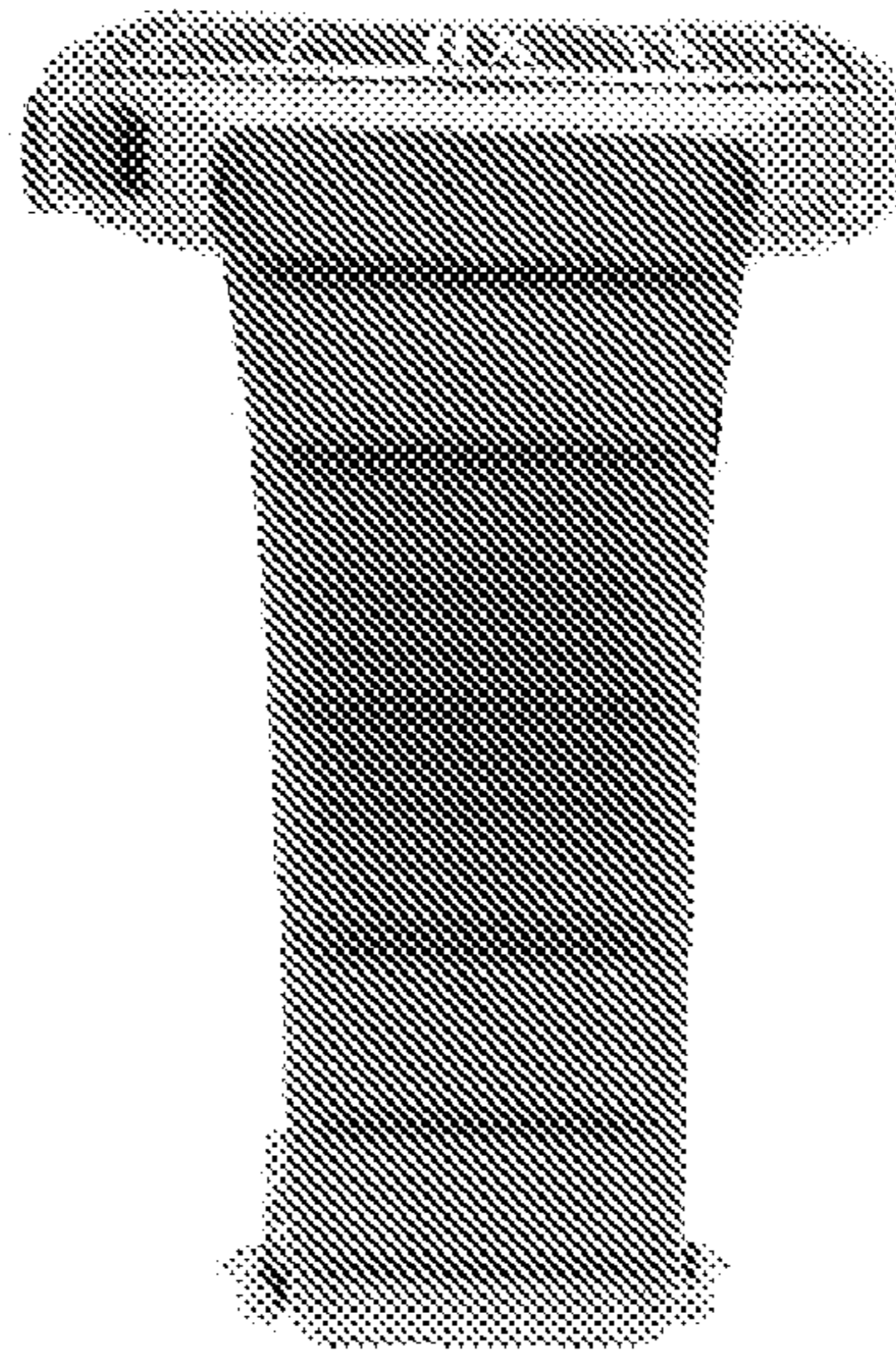


FIGURE 4

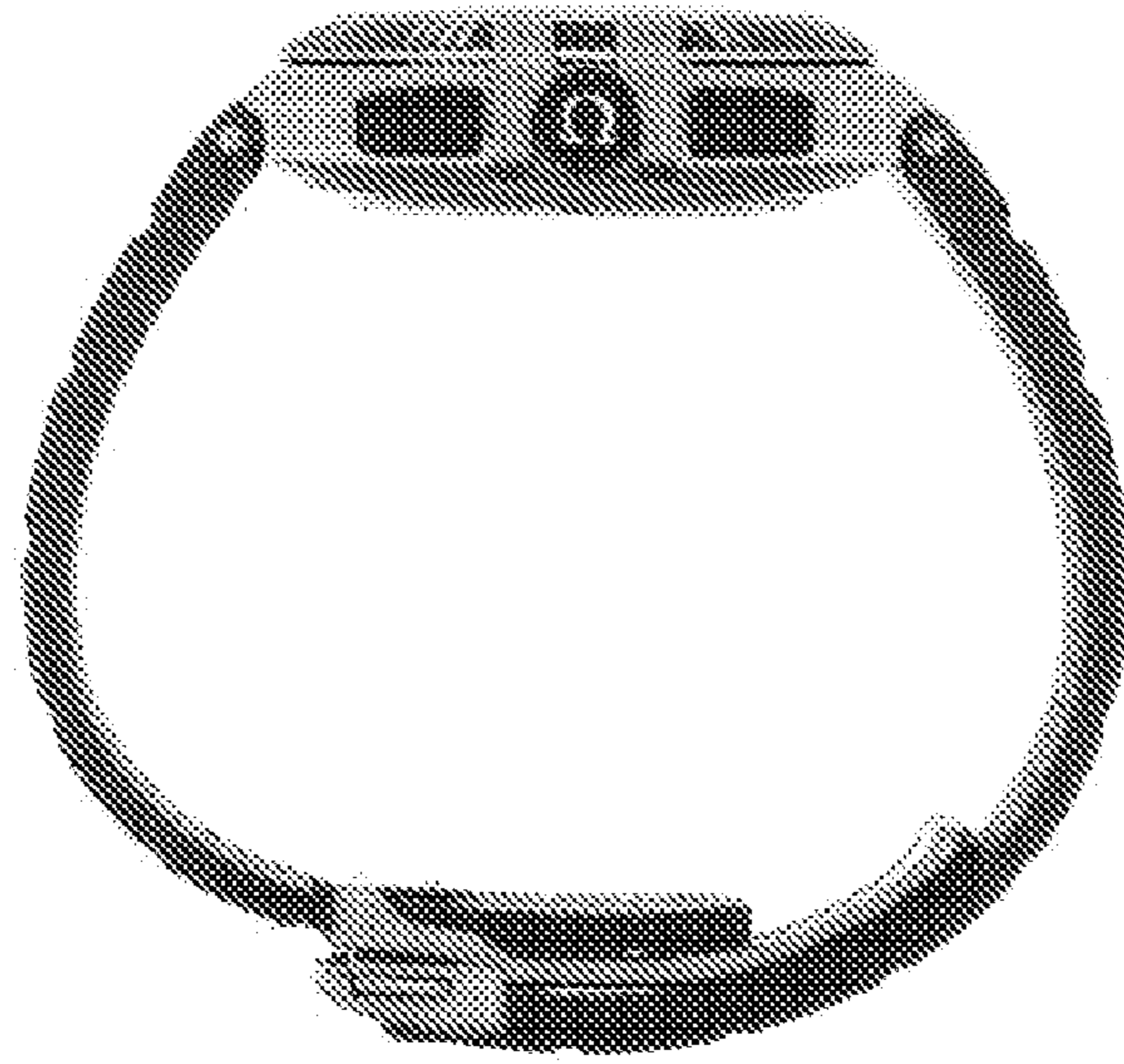


FIGURE 5



FIGURE 6



FIGURE 7



FIGURE 8