

US00D568156S

(12) **United States Design Patent**
Wilson et al.

(10) **Patent No.:** **US D568,156 S**

(45) **Date of Patent:** **** May 6, 2008**

(54) **CONTAINER**

(75) Inventors: **Michael J. Wilson**, Rossmoor, CA
(US); **Bryan W. Ware**, Pleasanton, CA
(US); **Sean C. Silk**, Los Angeles, CA
(US)

(73) Assignee: **Mars, Incorporated**, McLean, VA (US)

(**) Term: **14 Years**

(21) Appl. No.: **29/274,219**

(22) Filed: **Apr. 5, 2007**

(51) **LOC (8) Cl.** **09-01**

(52) **U.S. Cl.** **D9/500; D9/428**

(58) **Field of Classification Search** D9/414,
D9/416, 424-425, 428, 500, 516, 539, 549,
D9/558, 772, 776-779, 781, 901-903; D7/509,
D7/523, 532; 215/379-385; 220/660-662,
220/669-673, 675-676

See application file for complete search history.

(56) **References Cited**

U.S. PATENT DOCUMENTS

D368,234 S * 3/1996 Dickinson et al. D11/152

D426,160 S * 6/2000 Lindsay et al. D9/500
D429,150 S * 8/2000 Lindsay et al. D9/425
D439,517 S * 3/2001 Lindsay et al. D9/500
D474,110 S * 5/2003 Sweeney D9/428
D478,478 S * 8/2003 Soohoo et al. D7/586
D482,240 S * 11/2003 Soohoo et al. D7/584

* cited by examiner

Primary Examiner—Ian Simmons

Assistant Examiner—Dana L Sipos

(74) *Attorney, Agent, or Firm*—Arent Fox LLP

(57) **CLAIM**

The ornamental design for a container, as shown and described.

DESCRIPTION

FIG. 1 is a top perspective view of a container showing our new design;

FIG. 2 is a front elevational view of the design shown in FIG. 1;

FIG. 3 is a top plan view of the design shown in FIG. 1; and,
FIG. 4 is a bottom plan view of the design shown in FIG. 1.

1 Claim, 2 Drawing Sheets

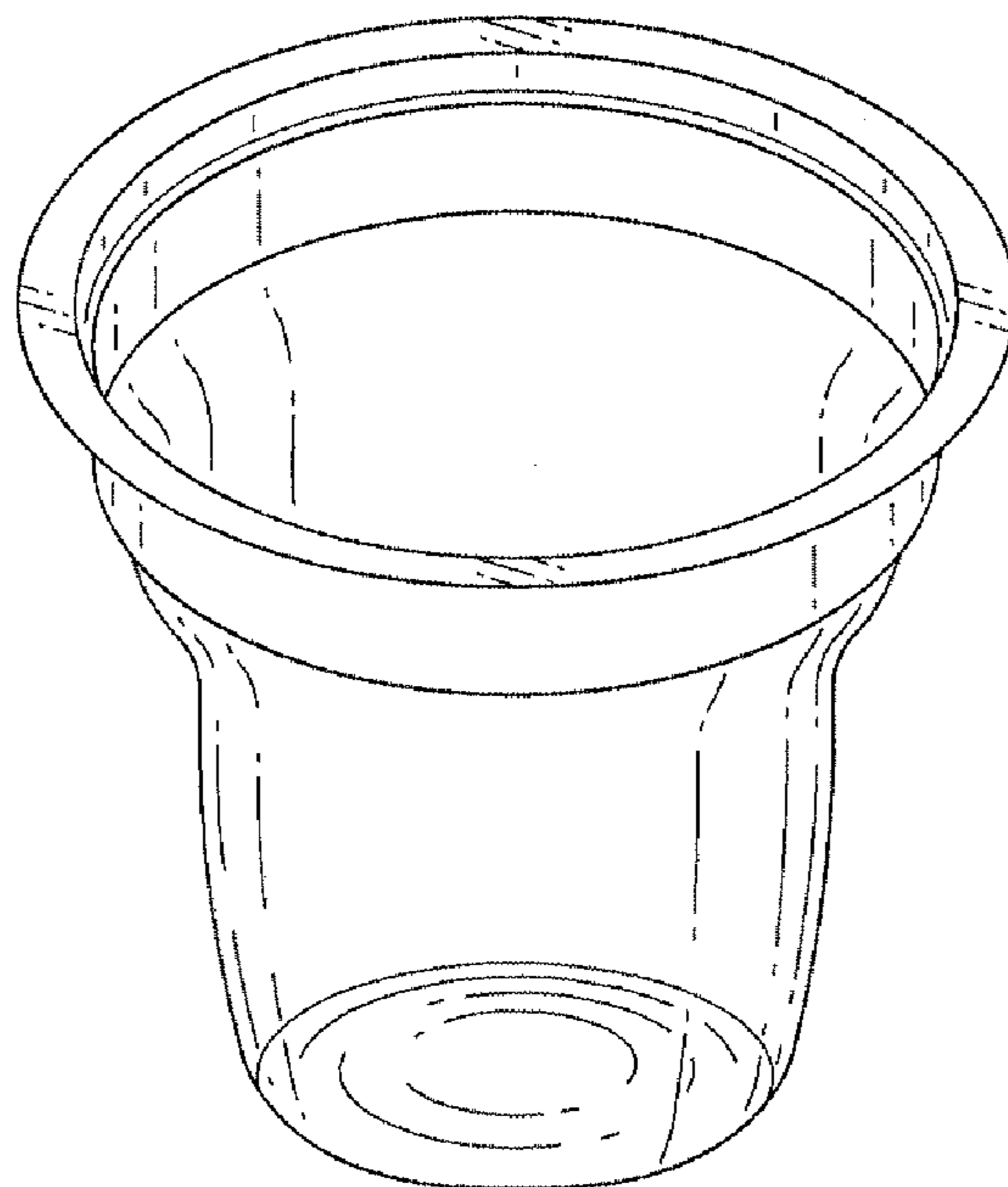


Fig.1

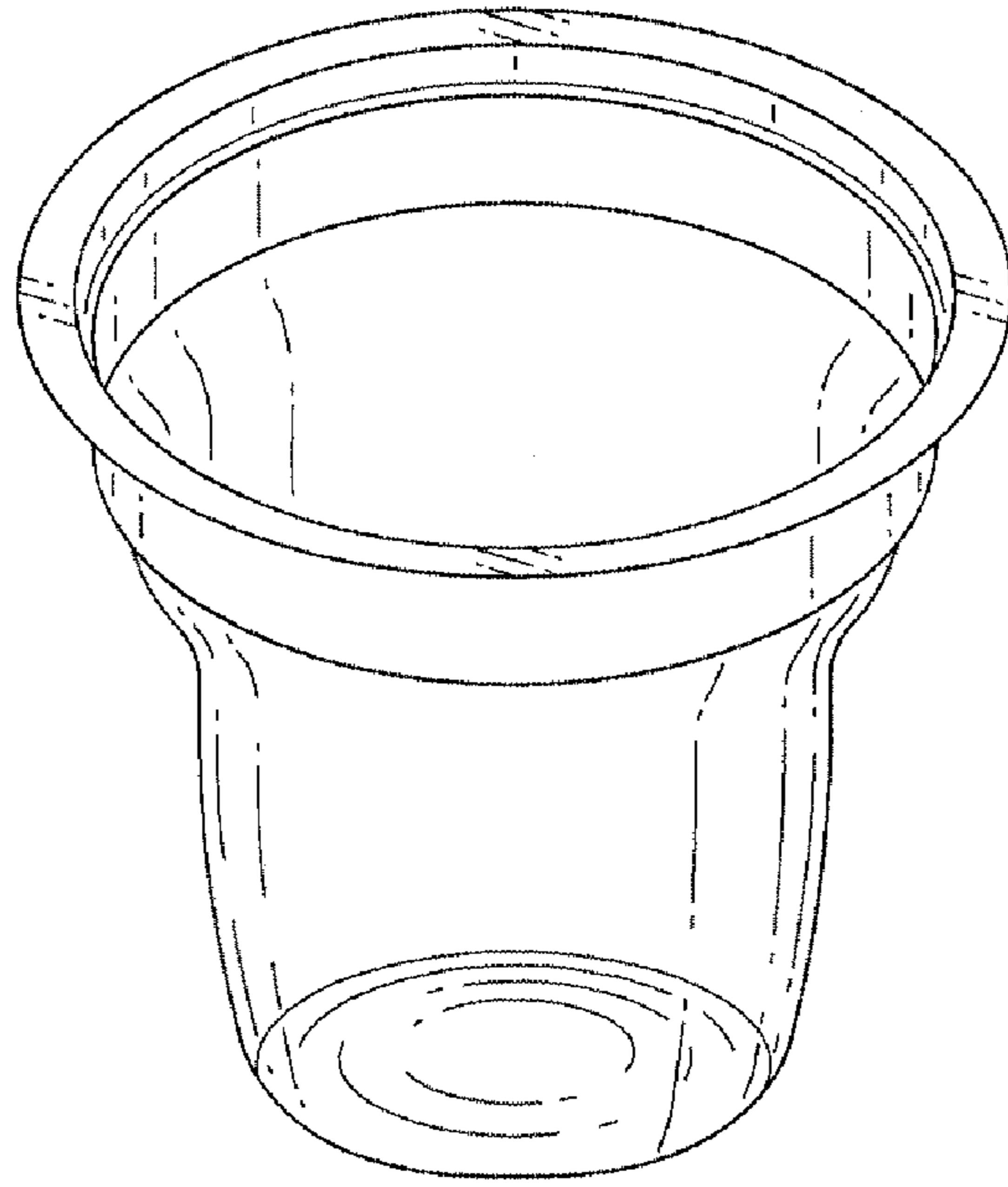


Fig.2

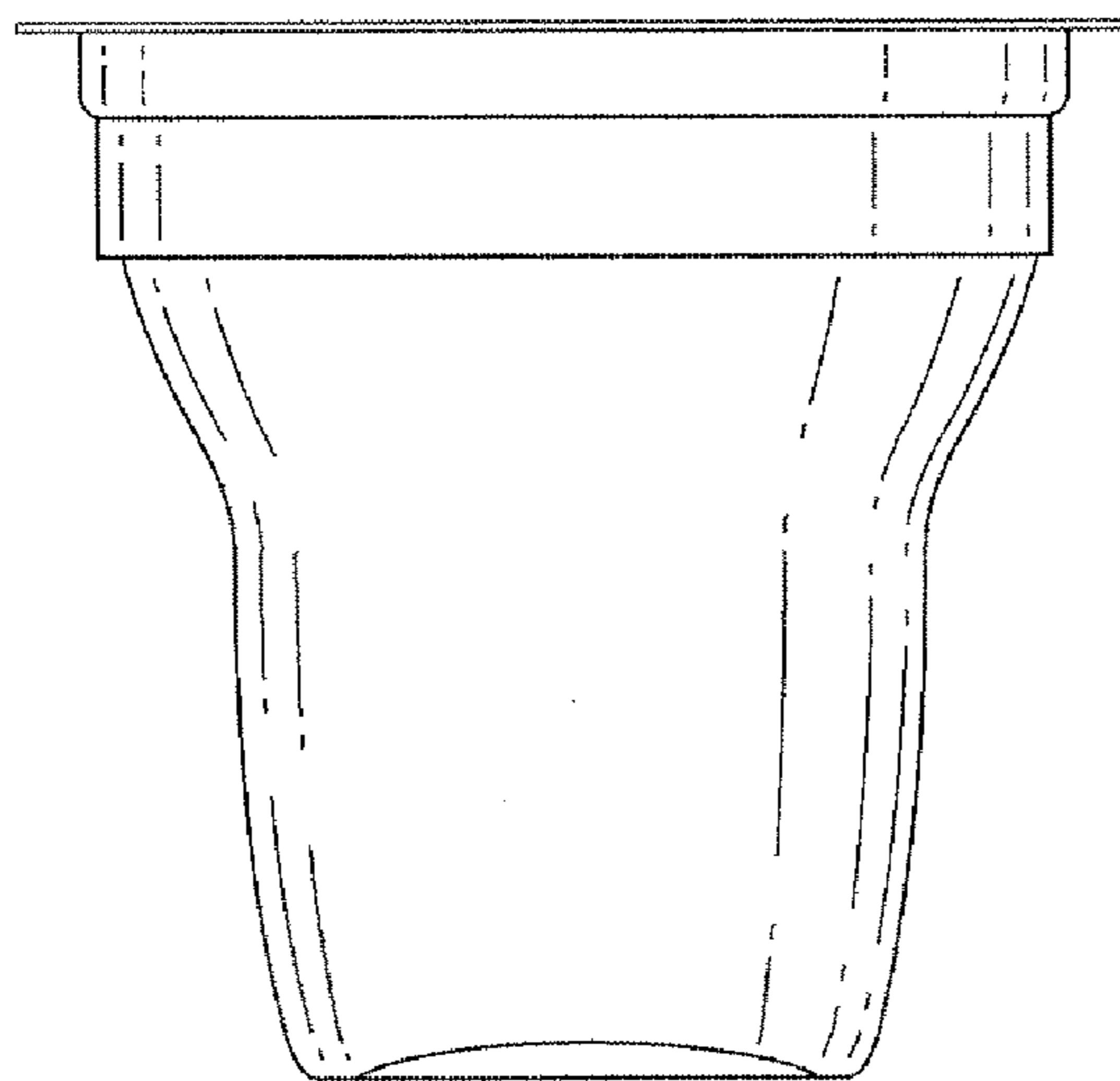


Fig.3

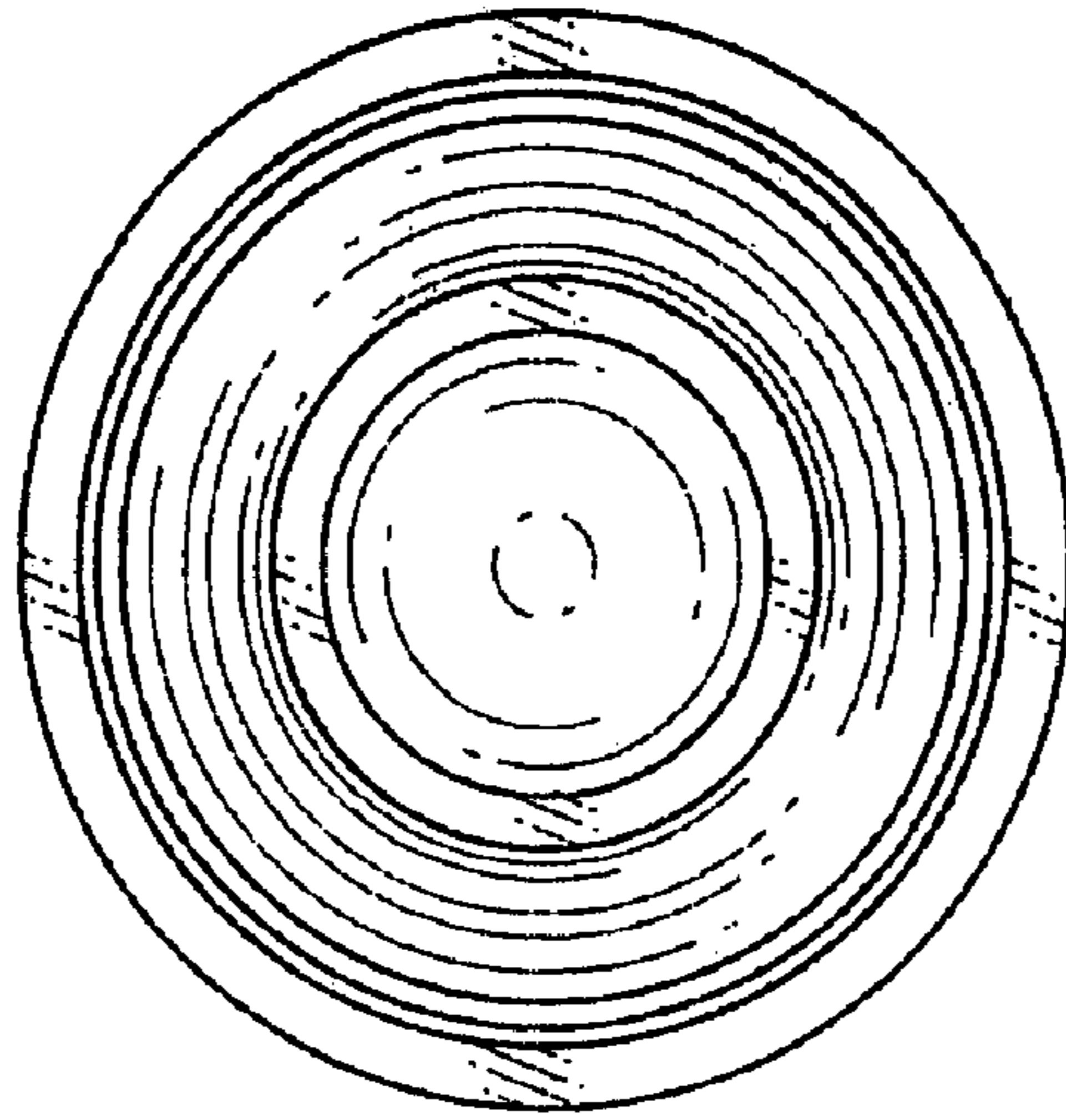


Fig.4

