

US00D568152S

(12) **United States Design Patent**
Fetherston

(10) **Patent No.:** **US D568,152 S**

(45) **Date of Patent:** **** May 6, 2008**

(54) **WINE STOPPER**

(76) **Inventor:** **Sean Levis Fetherston**, 7828 N. Beach Dr., Milwaukee, WI (US) 53217

(**) **Term:** **14 Years**

(21) **Appl. No.:** **29/242,073**

(22) **Filed:** **Jan. 6, 2006**

(51) **LOC (8) Cl.** **09-07**

(52) **U.S. Cl.** **D9/440**

(58) **Field of Classification Search** D9/718, D9/715, 547, 545, 544, 454, 447, 440, 439, D9/436, 435, 434; D7/398, 397, 387, 313, D7/312, 305, 300; D23/249, 246, 233; D10/60, D10/52, 49, 122; 215/355-364; 222/630-633, 222/145.1-145.8

See application file for complete search history.

(56) **References Cited**

U.S. PATENT DOCUMENTS

- 5,535,900 A * 7/1996 Huang 215/228
- D421,570 S * 3/2000 Hollinger D9/439
- D422,214 S * 4/2000 Hollinger D9/439
- D422,912 S * 4/2000 Hollinger D9/439

* cited by examiner

Primary Examiner—Gary D. Watson
Assistant Examiner—Susan Bennett Hattan

(57) **CLAIM**

The ornamental design for a wine stopper, as shown and described.

DESCRIPTION

The wine stopper is inserted into a wine or champagne bottle after it has been opened. The wine stopper, once properly sealed into place on top of the bottle, can then be opened at the top and liquid will be allowed to pour through the body of the stopper and into a glass.

FIG. 1 is a front elevational view of a wine stopper showing my new design with the lid closed;

FIG. 2 is a side elevational view thereof with the lid open,

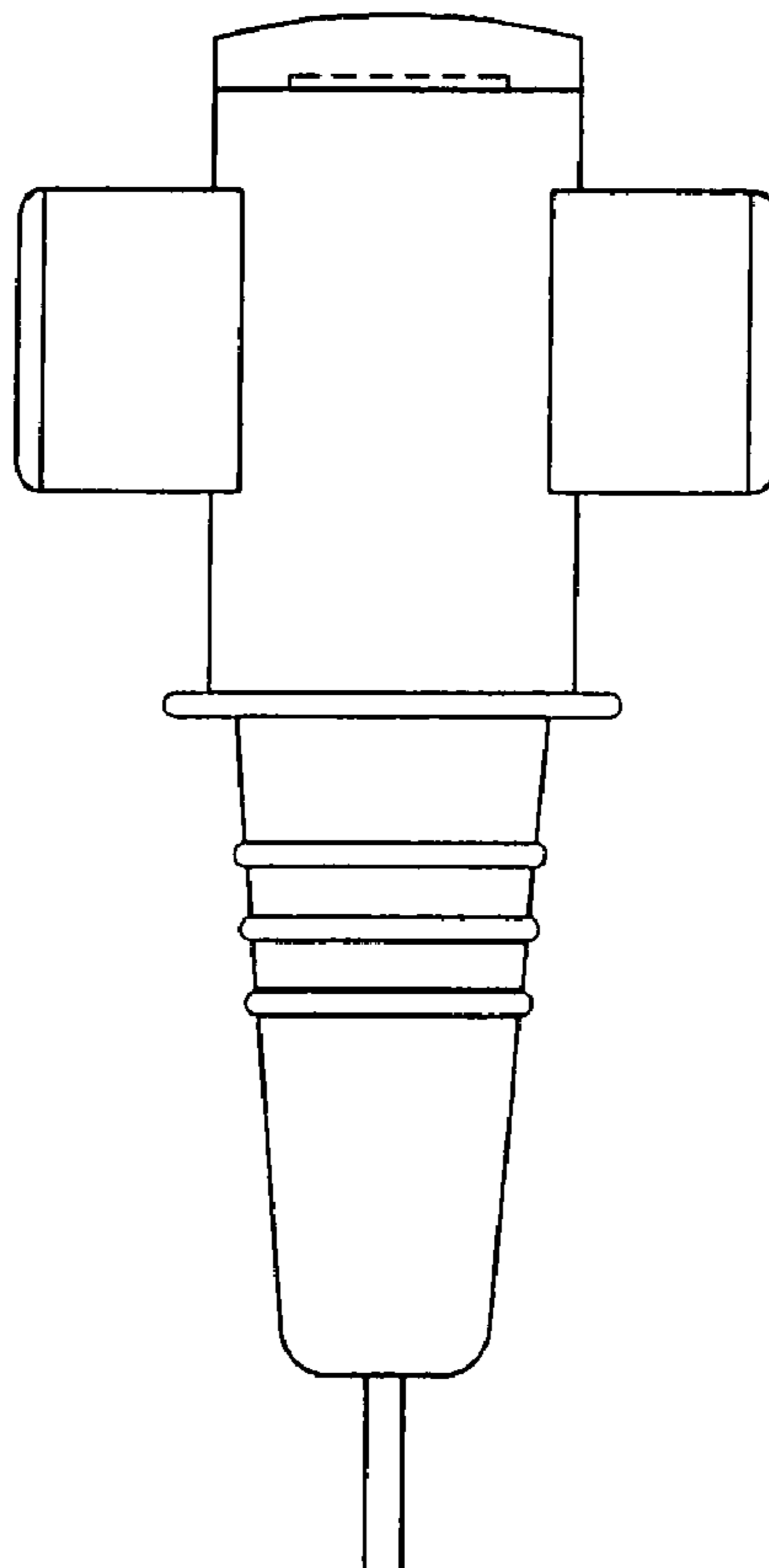
FIG. 3 is a top view thereof;

FIG. 4 is a bottom view thereof; and,

FIG. 5 is a back elevational view thereof with the lid closed.

The broken lines in the drawings are for illustrative purposes only and form no part of the claimed design.

1 Claim, 1 Drawing Sheet



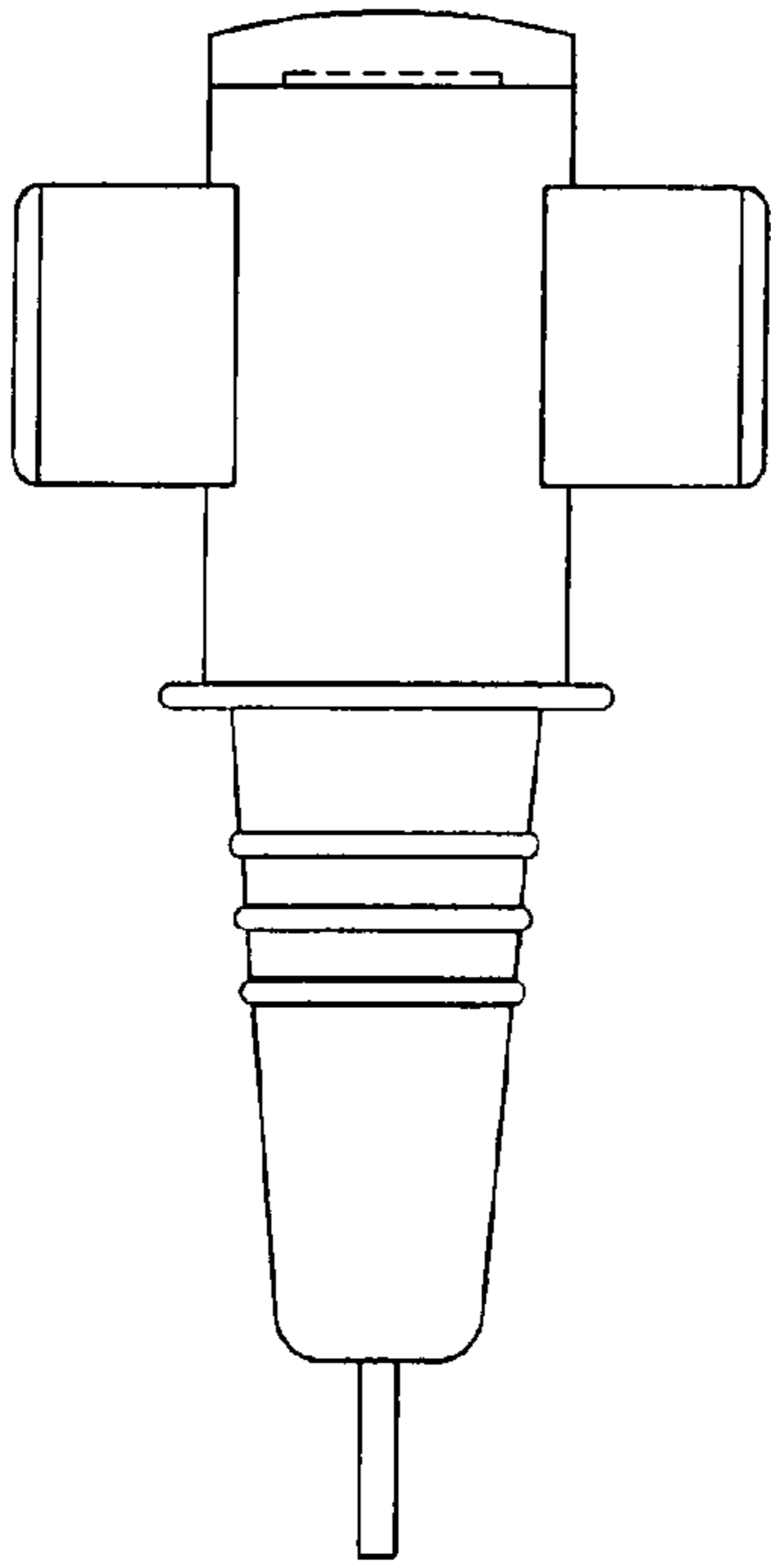


Figure 1

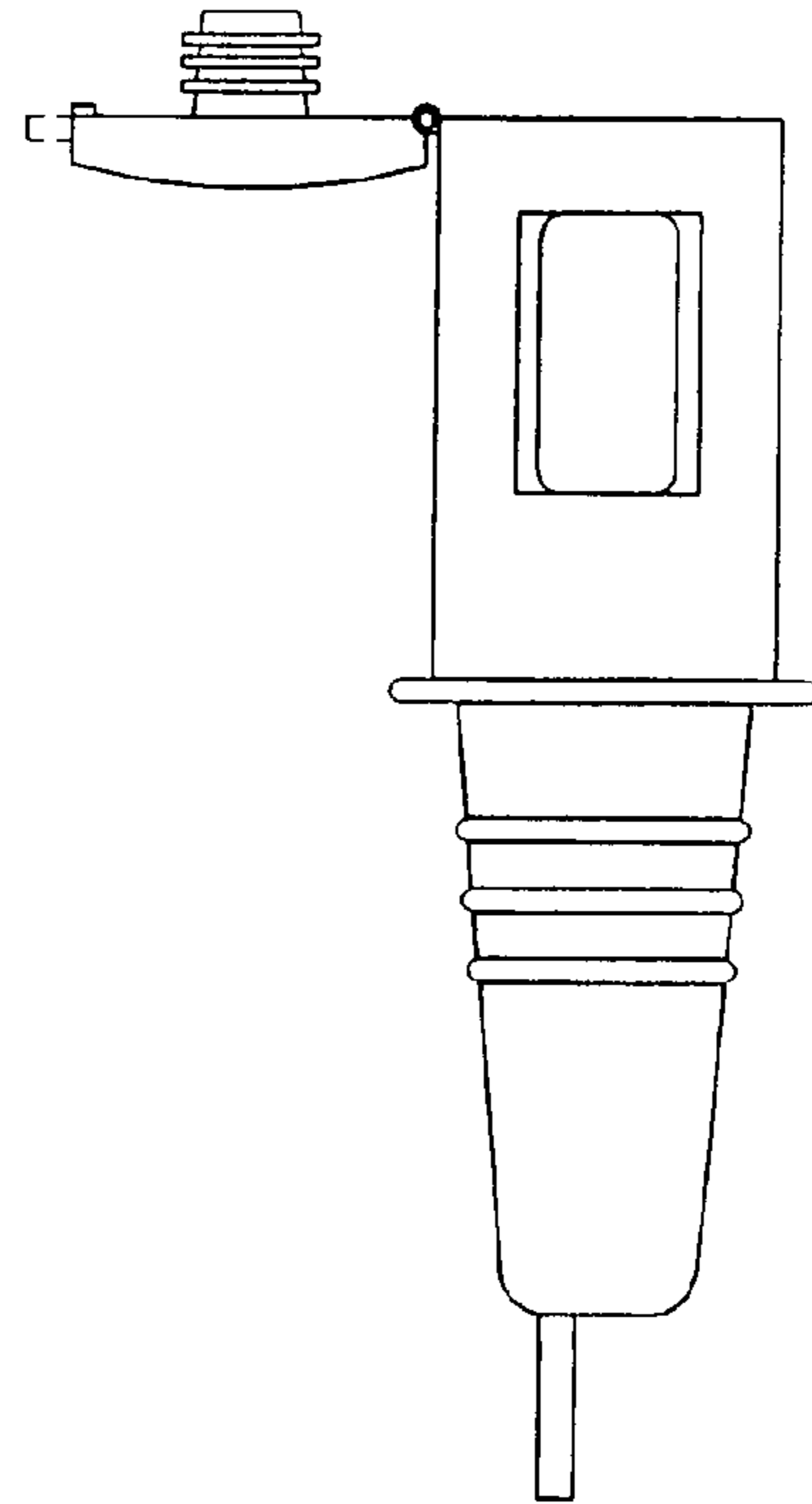


Figure 2

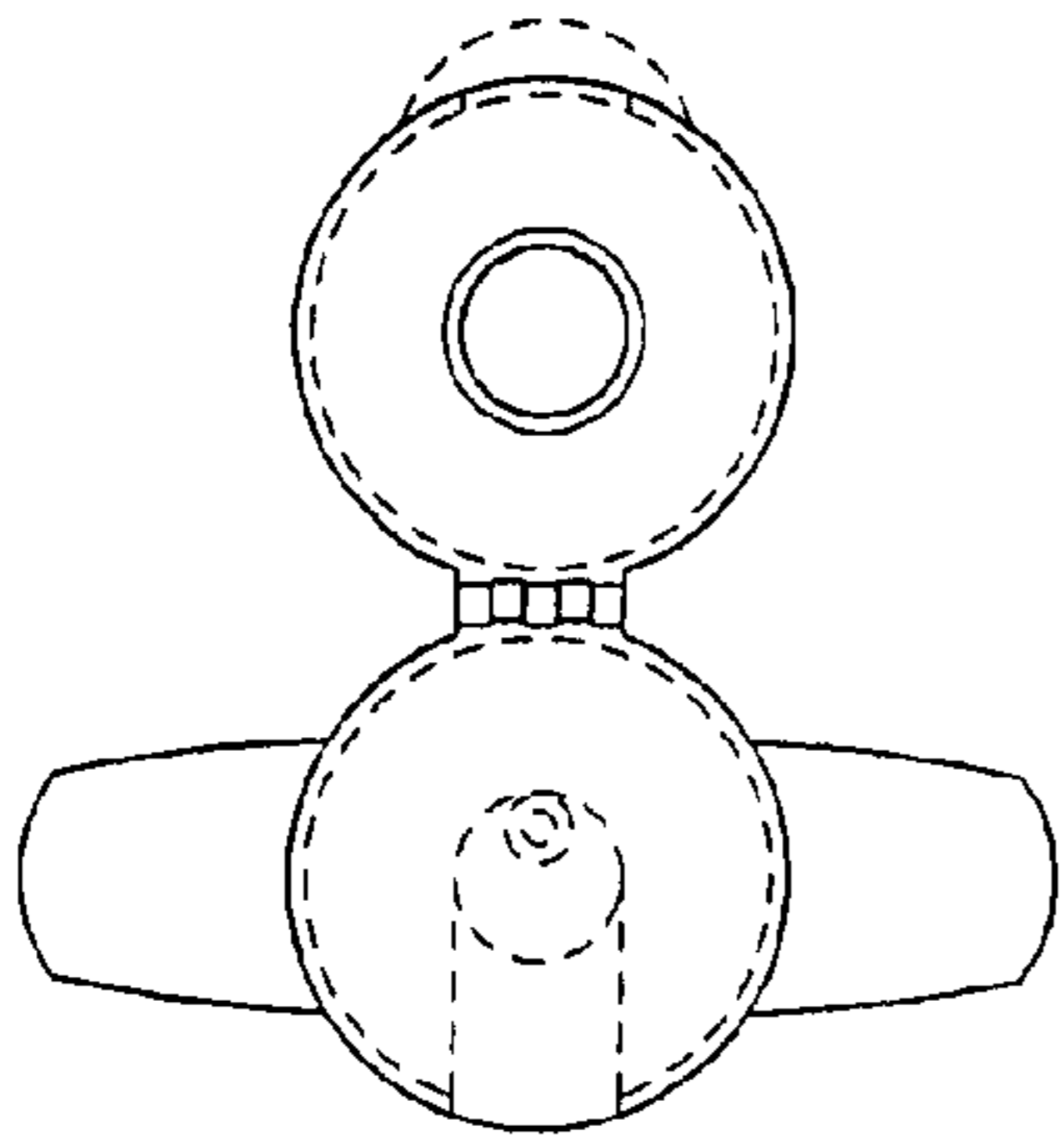


Figure 3

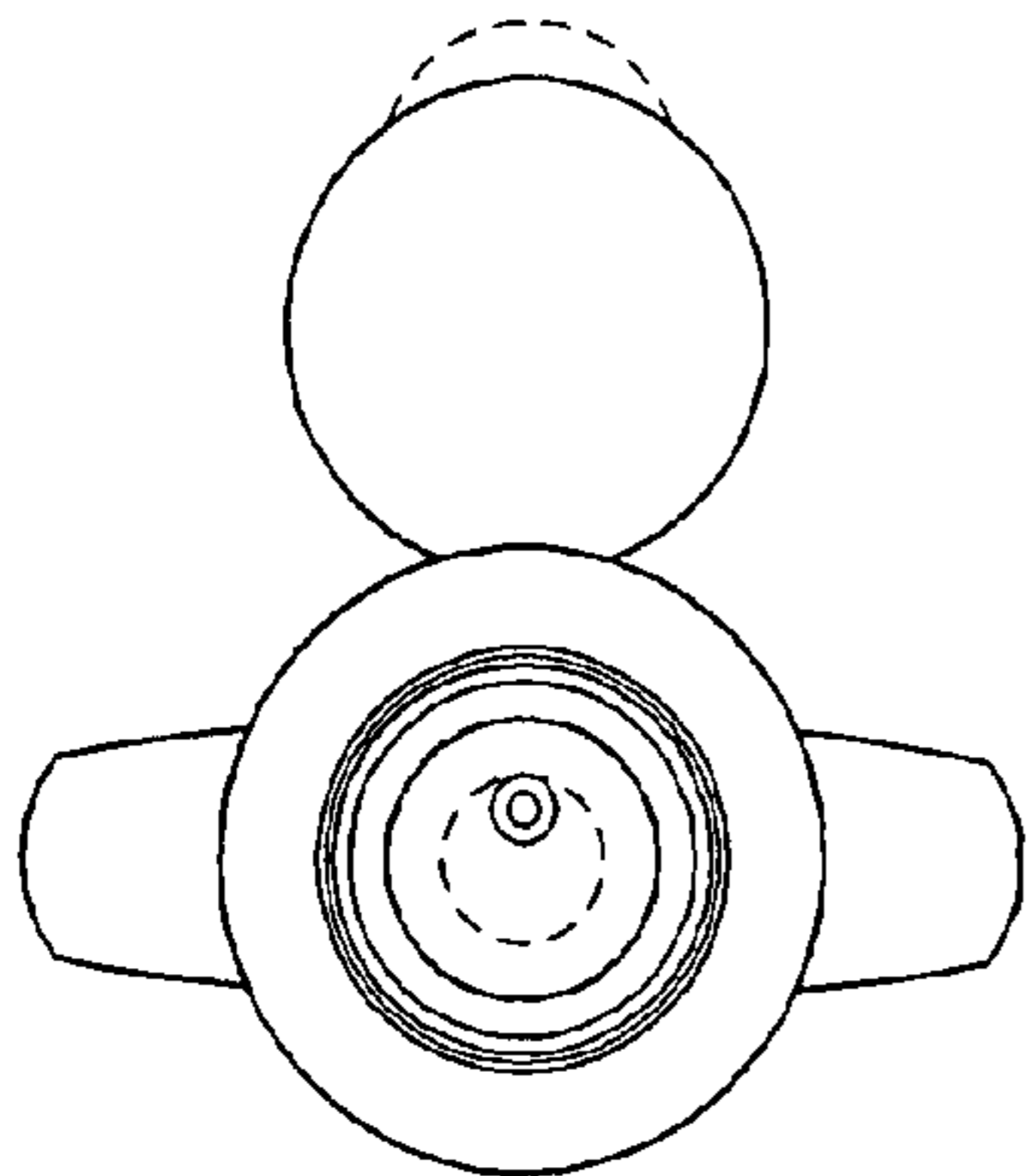


Figure 4

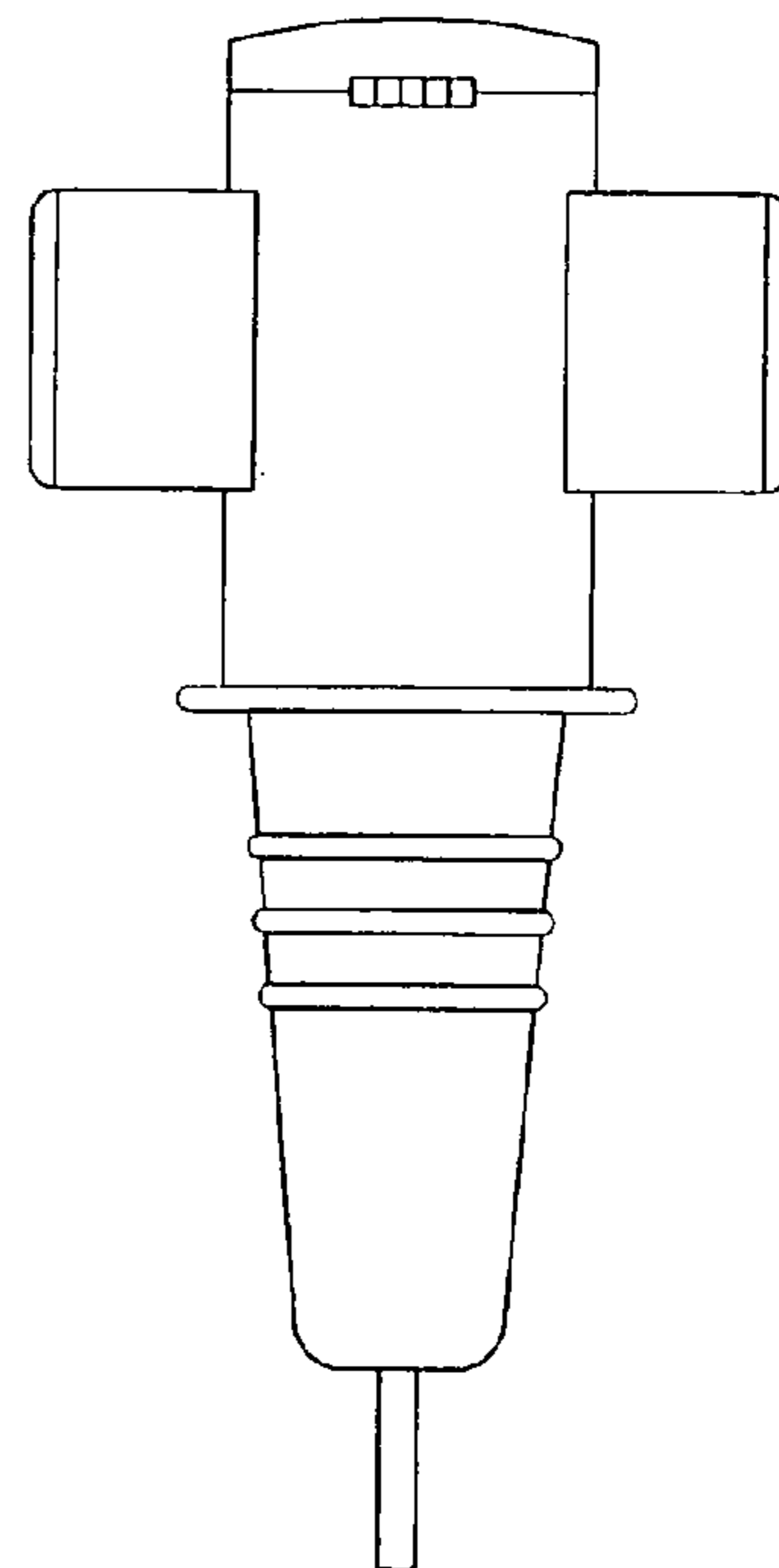


Figure 5