



US00D568151S

(12) **United States Design Patent**  
**Moffat et al.**

(10) **Patent No.:** **US D568,151 S**  
(45) **Date of Patent:** **\*\* May 6, 2008**

(54) **COLOR CODED BEVERAGE PACK**

(76) Inventors: **Jennifer Lee Moffat**, 381 Caminito  
Barcelona, Chula Vista, CA (US)  
91914; **Kathryn Barrett Tschirn**, 381  
Caminito Barcelona, Chula Vista, CA  
(US) 91914

(\*\*) Term: **14 Years**

(21) Appl. No.: **29/276,274**

(22) Filed: **Jan. 19, 2007**

(51) **LOC (8) Cl.** ..... **09-07**

(52) **U.S. Cl.** ..... **D9/434**

(58) **Field of Classification Search** ..... D9/434,  
D9/435, 438, 454, 456; D3/316; 206/139,  
206/143, 145, 156, 159; 53/390; 220/200,  
220/260, 269, 270, 608, 610, 612, 617-621;  
215/6; 24/339; D25/119, 121, 126; 128/200.23  
See application file for complete search history.

(56) **References Cited**

**U.S. PATENT DOCUMENTS**

D136,321 S *	9/1943	Voglesong	.....	D9/434
3,038,599 A *	6/1962	Poupitch	.....	206/159
3,225,959 A *	12/1965	Jamison	.....	206/143
3,298,514 A *	1/1967	Erickson	.....	206/145
3,321,076 A *	5/1967	Poupitch	.....	206/159
3,428,209 A *	2/1969	Jenkins et al.	.....	220/378
3,848,766 A *	11/1974	Gantt et al.	.....	206/139
D279,356 S *	6/1985	Moss	.....	D9/434
D297,511 S *	9/1988	Crivello	.....	D9/434
D329,603 S *	9/1992	Barrett	.....	D9/435
D350,068 S *	8/1994	Schwartzburg	.....	D9/434

D350,695 S *	9/1994	Adami et al.	.....	D3/316
D380,156 S *	6/1997	Zelenski	.....	D9/434
D388,702 S *	1/1998	Mindel	.....	D9/434
D471,453 S *	3/2003	Stodd	.....	D9/434
D480,304 S *	10/2003	Stodd	.....	D9/434
D480,970 S *	10/2003	Owens	.....	D9/456
6,658,815 B1 *	12/2003	Gaspar	.....	53/390

\* cited by examiner

*Primary Examiner*—T. Chase Nelson

*Assistant Examiner*—Barbara B Lohr

(74) *Attorney, Agent, or Firm*—Nydegger & Associates

(57) **CLAIM**

The ornamental design for a color coded beverage pack, as shown.

**DESCRIPTION**

FIG. 1 is a perspective view of a color coded beverage pack for the present invention;

FIG. 2 is a top view thereof;

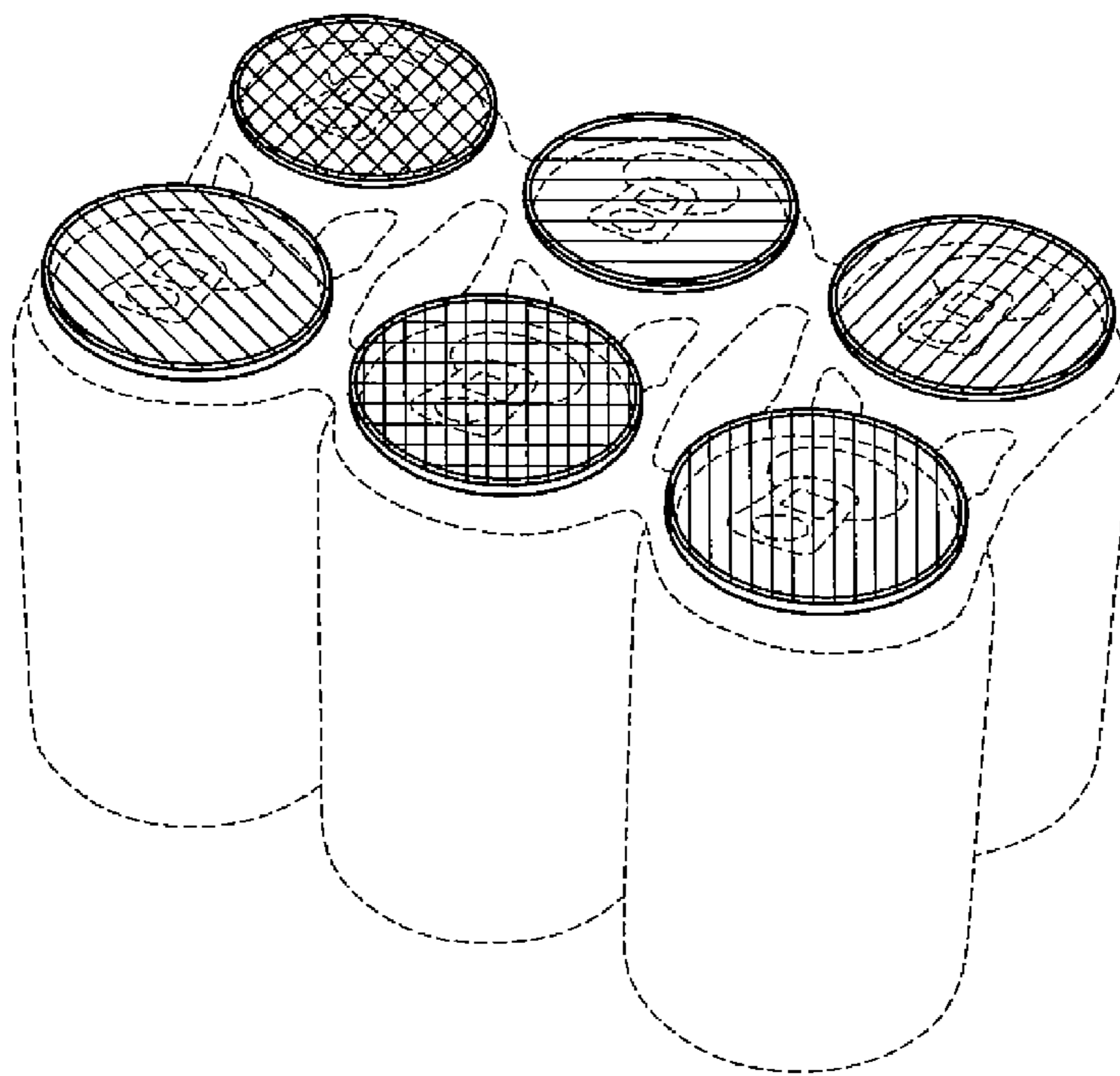
FIG. 3 is a side elevation view thereof; and,

FIG. 4 is an end view thereof.

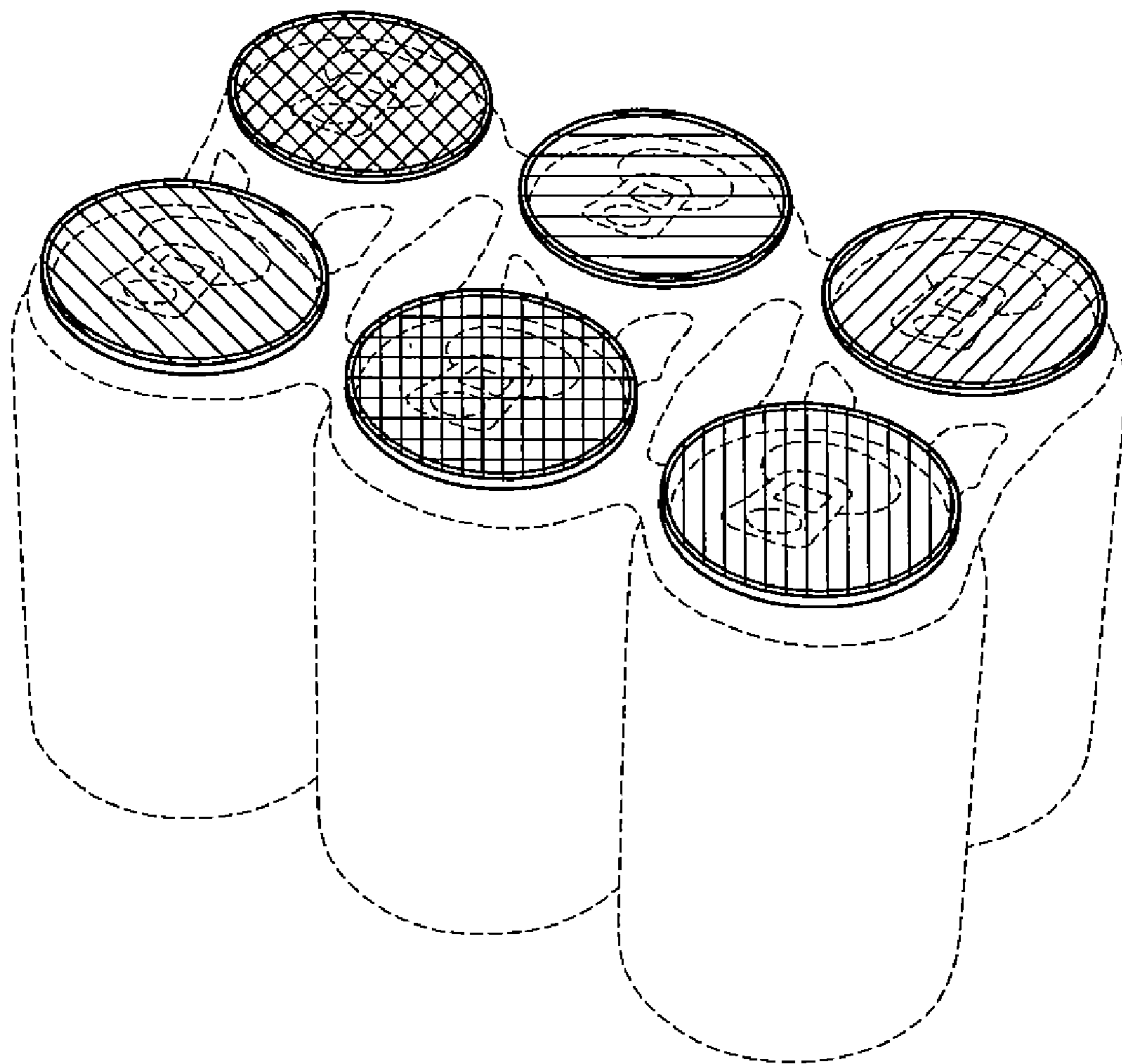
The broken line showing of environmental structure is for illustrative purposes only and forms no part of the claimed design.

The design is shown lined for color with the following color sequences seen in FIG. 2, the top row being (left to right): orange, blue, brown. The color sequences seen in FIG. 2, the bottom row being (left to right): green, yellow/gold, and red/pink.

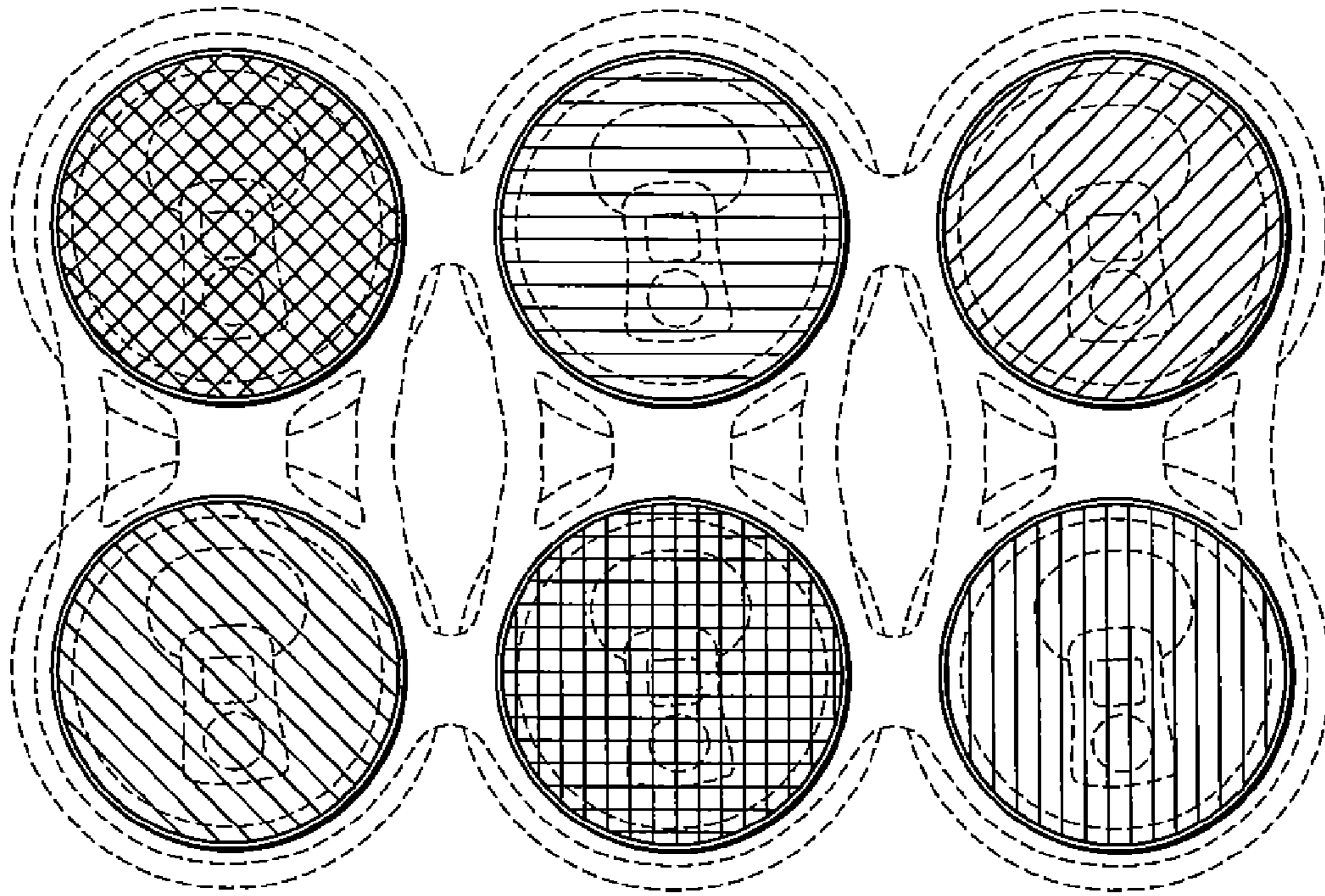
**1 Claim, 3 Drawing Sheets**



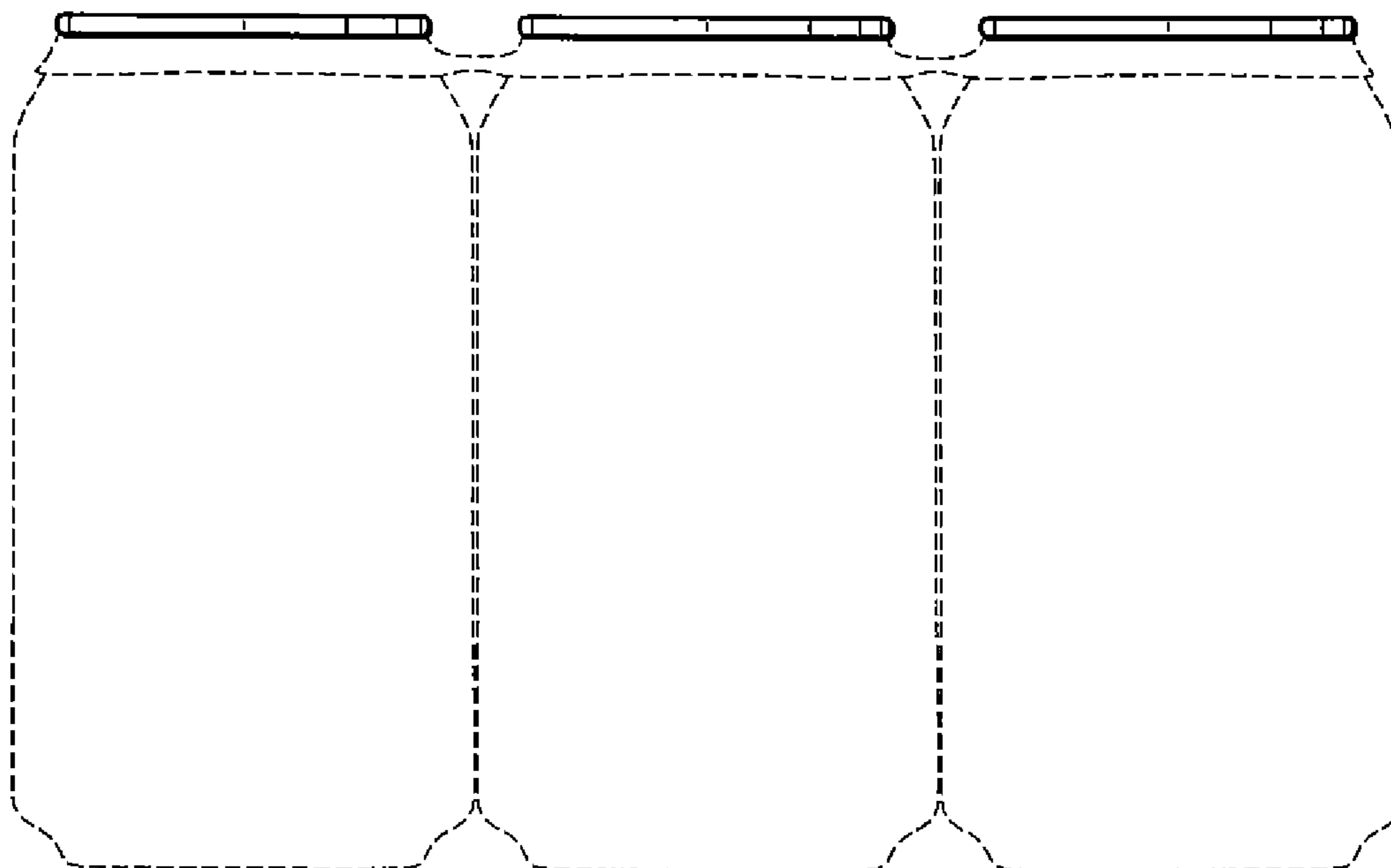
**FIG. 1**



**FIG. 2**



**FIG. 3**



***FIG. 4***

