



US00D568149S

(12) **United States Design Patent**
Riedel

(10) **Patent No.:** **US D568,149 S**

(45) **Date of Patent:** **** May 6, 2008**

(54) **THREADED NUT**

(75) Inventor: **Richard Paul Riedel**, Mason, OH (US)

(73) Assignee: **PUR Water Purification Products, Inc.**, Cincinnati, OH (US)

(**) Term: **14 Years**

(21) Appl. No.: **29/282,534**

(22) Filed: **Jul. 23, 2007**

(51) **LOC (8) Cl.** **08-08**

(52) **U.S. Cl.** **D8/397**

(58) **Field of Classification Search** D8/70,
D8/382, 387, 397-399; D7/398; D23/207,
D23/209, 226, 259, 260, 262; D32/25; 4/675,
4/678, 695; 128/200.23; 137/556.3, 625.46;
204/660; 210/87, 149, 234, 420, 446, 449,
210/459; 239/526; 285/319, 320, 321, 401,
285/402; 411/11, 120, 134, 155, 179, 180,
411/181, 302, 304, 427, 533, 542; 439/92

See application file for complete search history.

(56) **References Cited**

U.S. PATENT DOCUMENTS

364,181 A *	5/1887	Love	122/13.3
D44,178 S *	6/1913	McMurtrie	D23/262
2,770,998 A *	11/1956	Schwartz	411/403
D194,089 S *	11/1962	Nilsen	D23/262
D239,594 S *	4/1976	Dieme	D8/397
4,504,389 A *	3/1985	Rundzaitis	210/266
D302,201 S *	7/1989	Hengesbach	D23/213
4,980,073 A *	12/1990	Woodruff	210/767
D328,942 S	8/1992	Igami et al.	
5,527,451 A *	6/1996	Hembree et al.	210/88
5,701,934 A	12/1997	Kuran et al.	
D390,923 S	2/1998	Stevens	
5,775,744 A	7/1998	Smith, III	
D398,369 S	9/1998	Hayes et al.	
5,833,849 A *	11/1998	Primdahl	210/232
D404,472 S *	1/1999	Tickle	D23/260
5,888,381 A *	3/1999	Primdahl et al.	210/87
D408,506 S	4/1999	Gottwald	

D410,728 S	6/1999	Kurth et al.	
D413,967 S	9/1999	Yuen	
D420,107 S *	2/2000	Kinder	D23/262
D434,834 S *	12/2000	Goto	D23/262
D435,652 S *	12/2000	Nazarifar et al.	D24/129
D437,919 S	2/2001	Chao	
D438,603 S	3/2001	Chao	
D441,436 S	5/2001	Chao	
6,305,724 B1 *	10/2001	Sampson	285/376
6,317,905 B1 *	11/2001	Slothower	4/678
6,322,696 B1 *	11/2001	McKee et al.	210/232

(Continued)

FOREIGN PATENT DOCUMENTS

AU 9852043 A 7/1998

(Continued)

Primary Examiner—T. Chase Nelson

Assistant Examiner—Karen Acker

(74) *Attorney, Agent, or Firm*—Kelly L. McDow; Andrew A. Paul

(57) **CLAIM**

The ornamental design for a threaded nut, as shown.

DESCRIPTION

FIG. 1 is a perspective view of a threaded nut illustrating our new design;

FIG. 2 is a top planar view of the design of FIG. 1;

FIG. 3 is a bottom planar view of the design of FIG. 1;

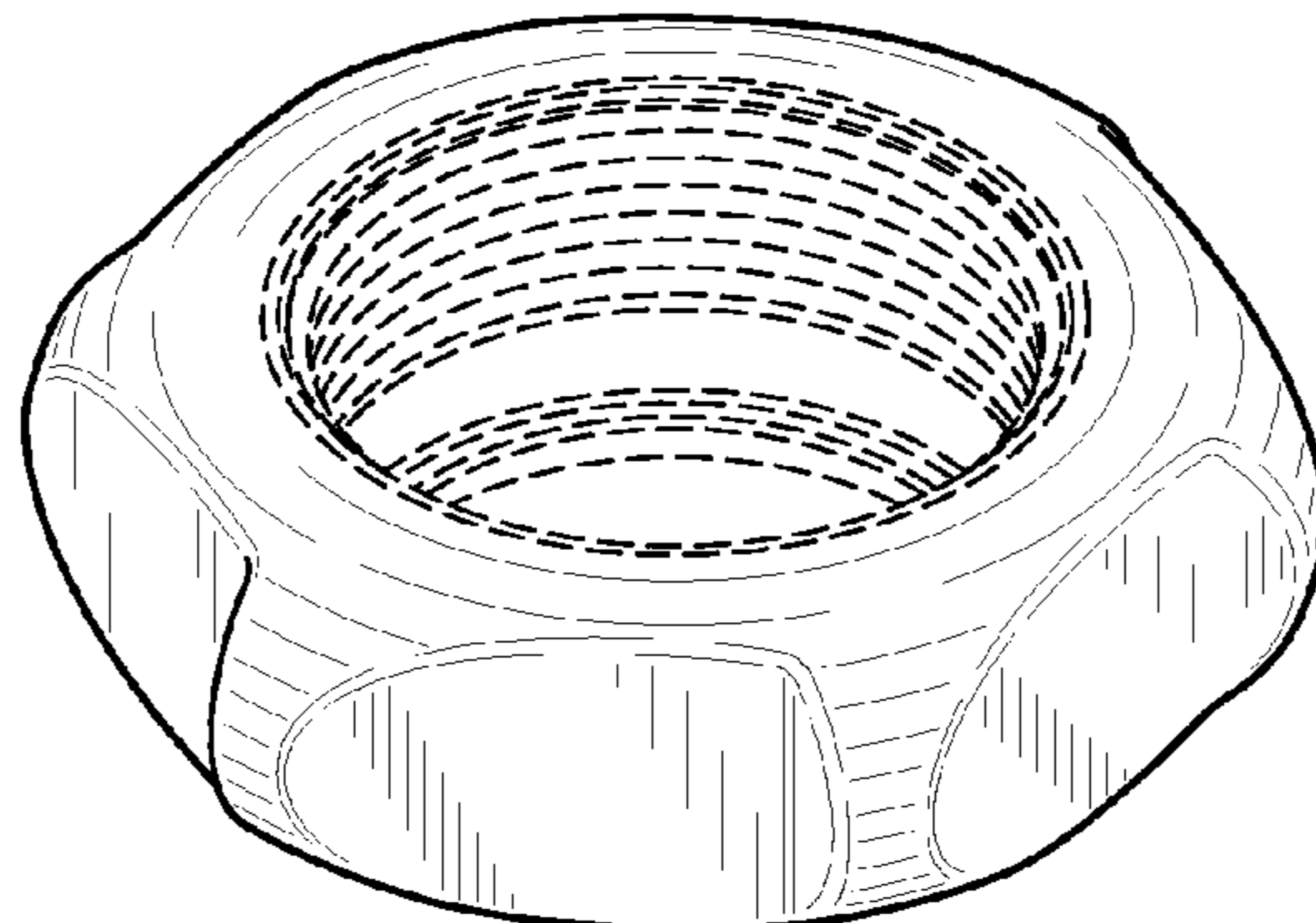
FIG. 4 is a left side elevational view of the design of FIG. 1;

FIG. 5 is a right side elevational view of the design of FIG. 1;

FIG. 6 is a front side elevational view of the design of FIG. 1; and,

FIG. 7 is a back side elevational view of the design of FIG. 1.

1 Claim, 4 Drawing Sheets



US D568,149 S

Page 2

U.S. PATENT DOCUMENTS

D454,615 S * 3/2002 Neal D23/209
D457,604 S 5/2002 Chen
6,386,596 B1 5/2002 Olson
D458,351 S 6/2002 Chen
D458,352 S 6/2002 Chen
D458,353 S 6/2002 Chen
6,421,849 B1 * 7/2002 Gray 4/675
D463,527 S * 9/2002 Guo D23/226
6,616,197 B2 * 9/2003 Sampson 285/376
6,672,628 B2 1/2004 Thomas et al.
D496,094 S 9/2004 Stevens
6,797,156 B2 * 9/2004 Chau 210/94
6,912,742 B1 7/2005 Wang
7,017,838 B2 * 3/2006 Schmon 239/526
D518,555 S * 4/2006 De Muro, Jr. D23/209
7,032,260 B2 * 4/2006 Hwang 4/695
D521,614 S * 5/2006 Kitagawa D23/262
7,036,752 B1 * 5/2006 Hsiang 239/379
D534,796 S * 1/2007 Falkenburg D9/434
D538,885 S * 3/2007 Huang D23/226

D547,828 S * 7/2007 Huang D23/226
D554,237 S * 10/2007 Lewis et al. D23/259
2003/0034285 A1 * 2/2003 Hembree 210/87
2003/0173273 A1 * 9/2003 Giordano et al. 210/87
2004/0231048 A1 * 11/2004 Sallick 4/695
2005/0035054 A1 2/2005 Chu
2005/0072728 A1 4/2005 Chang
2005/0098485 A1 * 5/2005 Boyd et al. 210/87
2006/0032753 A1 2/2006 Hsien
2006/0037656 A1 * 2/2006 Golan et al. 137/625.46
2006/0053549 A1 3/2006 Wei
2006/0266850 A1 * 11/2006 Weinberger et al. 239/432
2007/0151021 A1 * 7/2007 Shieh 4/675

FOREIGN PATENT DOCUMENTS

JP 2000033206 2/2000
JP 2004322098 A 11/2004
RU 2236281 C1 9/2004
RU 2238786 C1 10/2004
WO 2005/047754 A1 5/2005

* cited by examiner

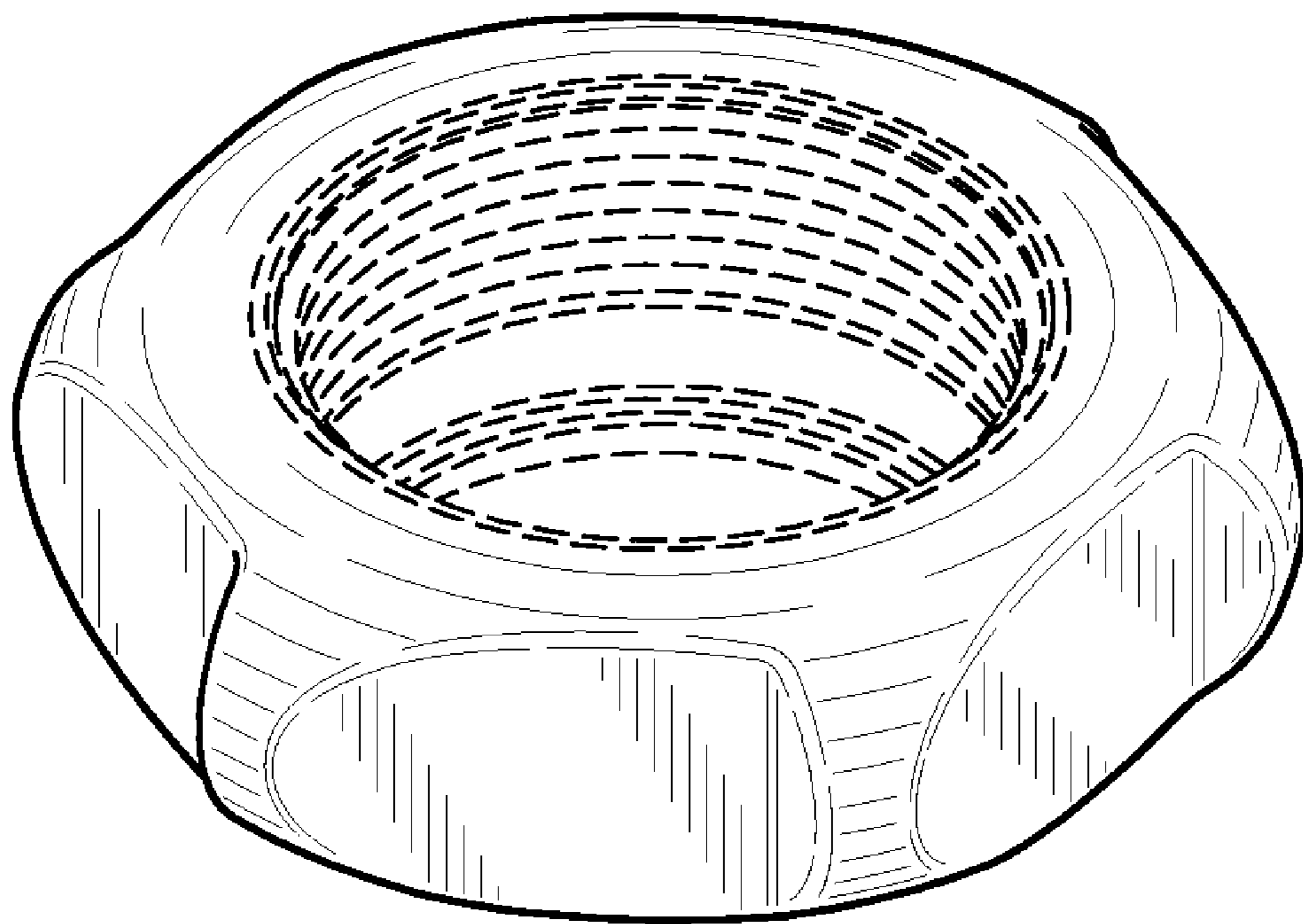


Fig. 1

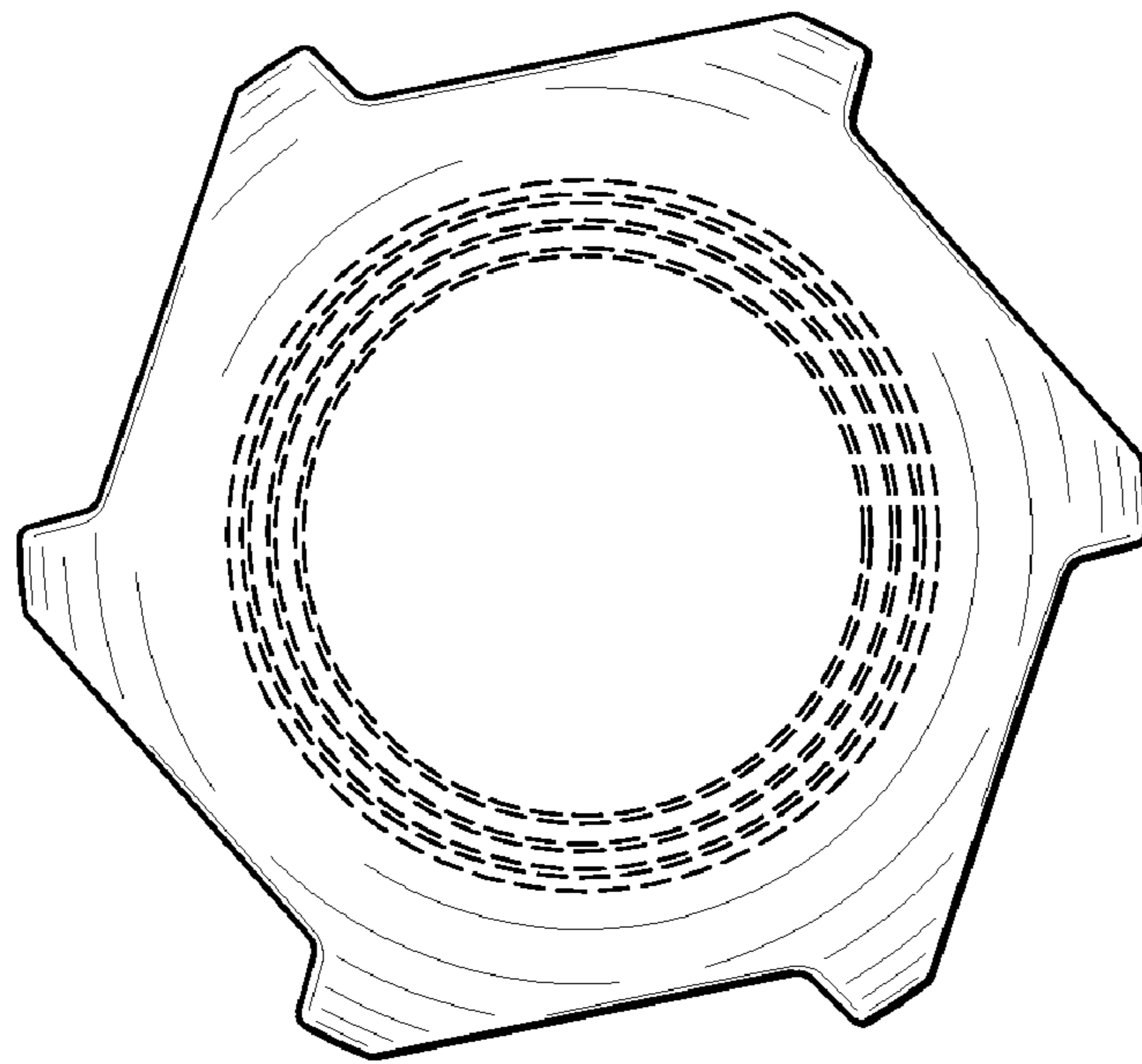


Fig. 2

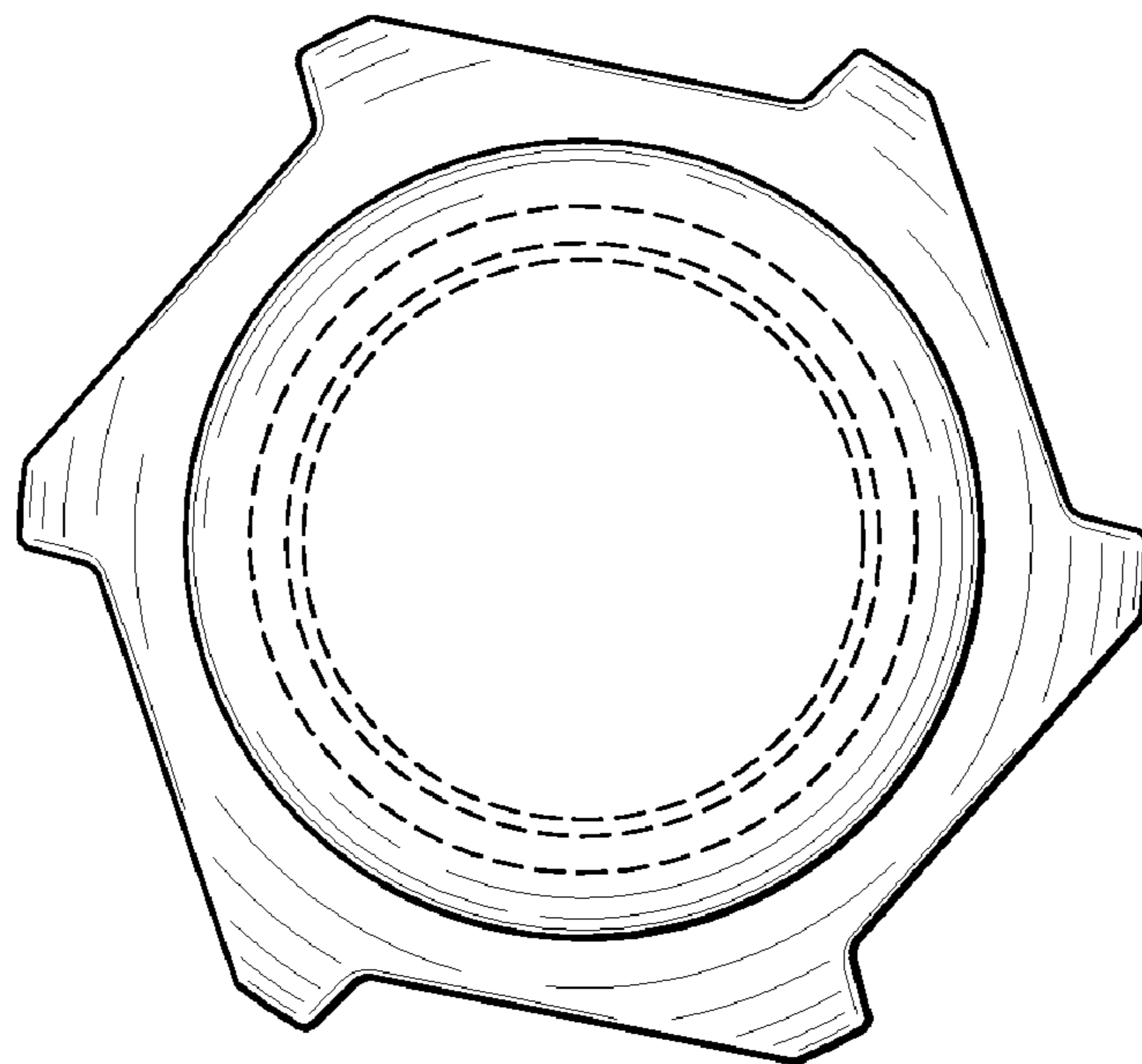


Fig. 3

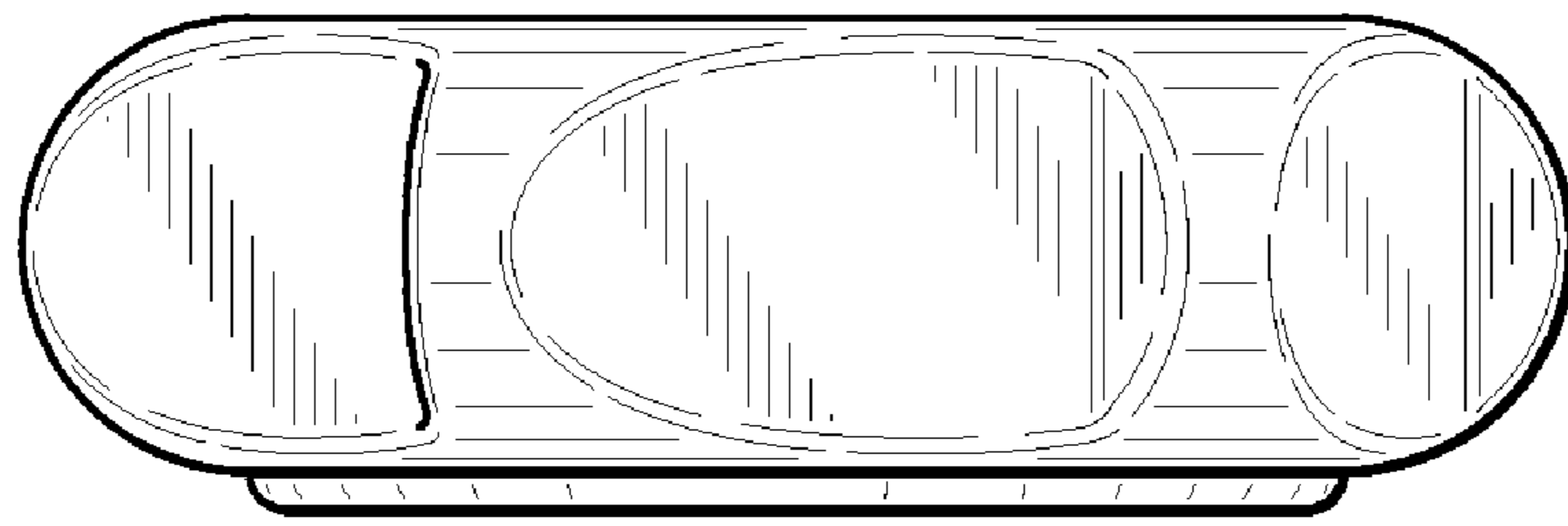


Fig. 4

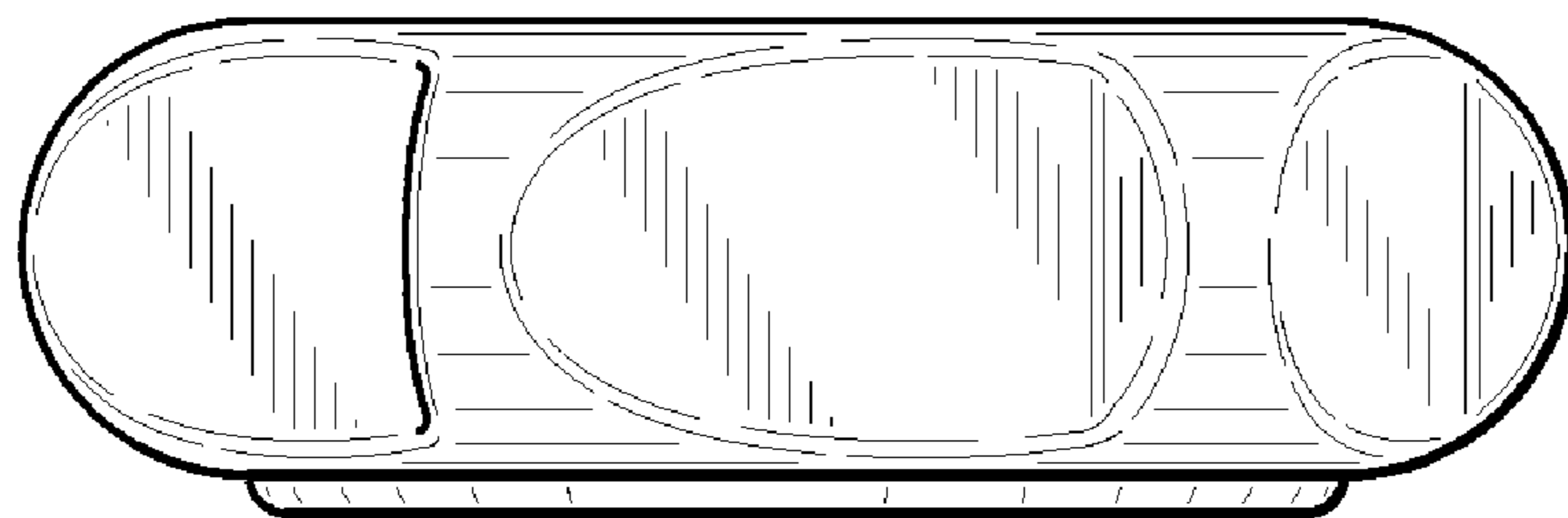


Fig. 5

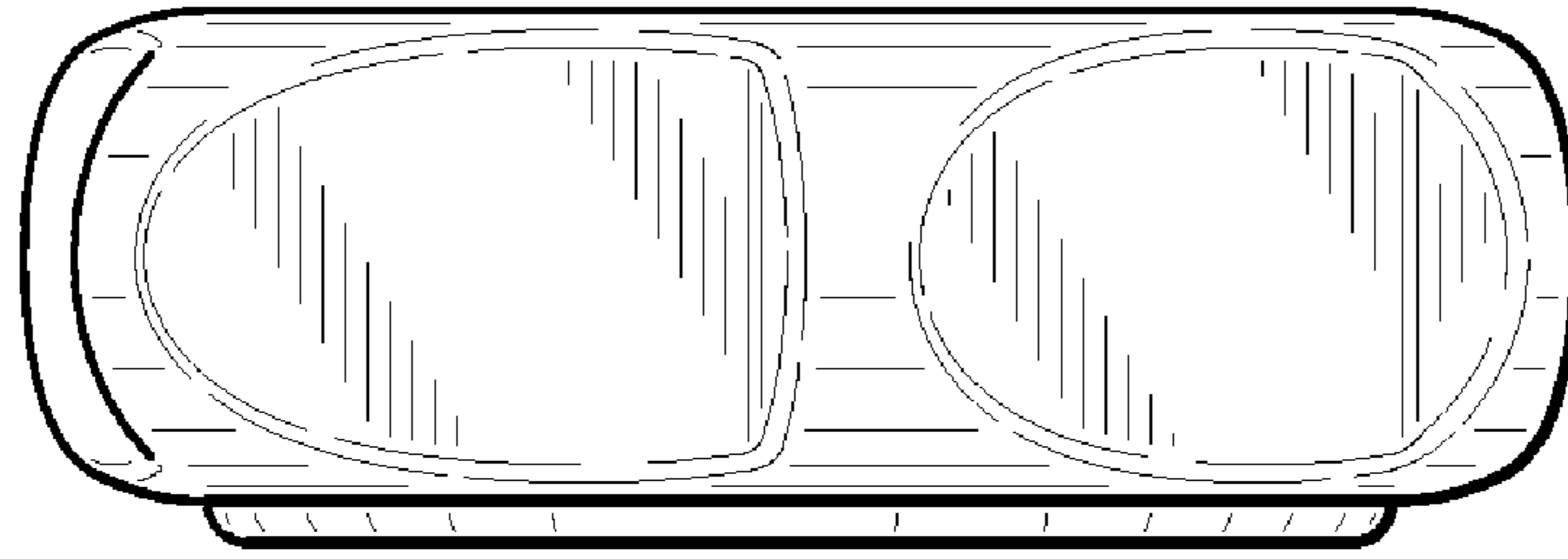


Fig. 6

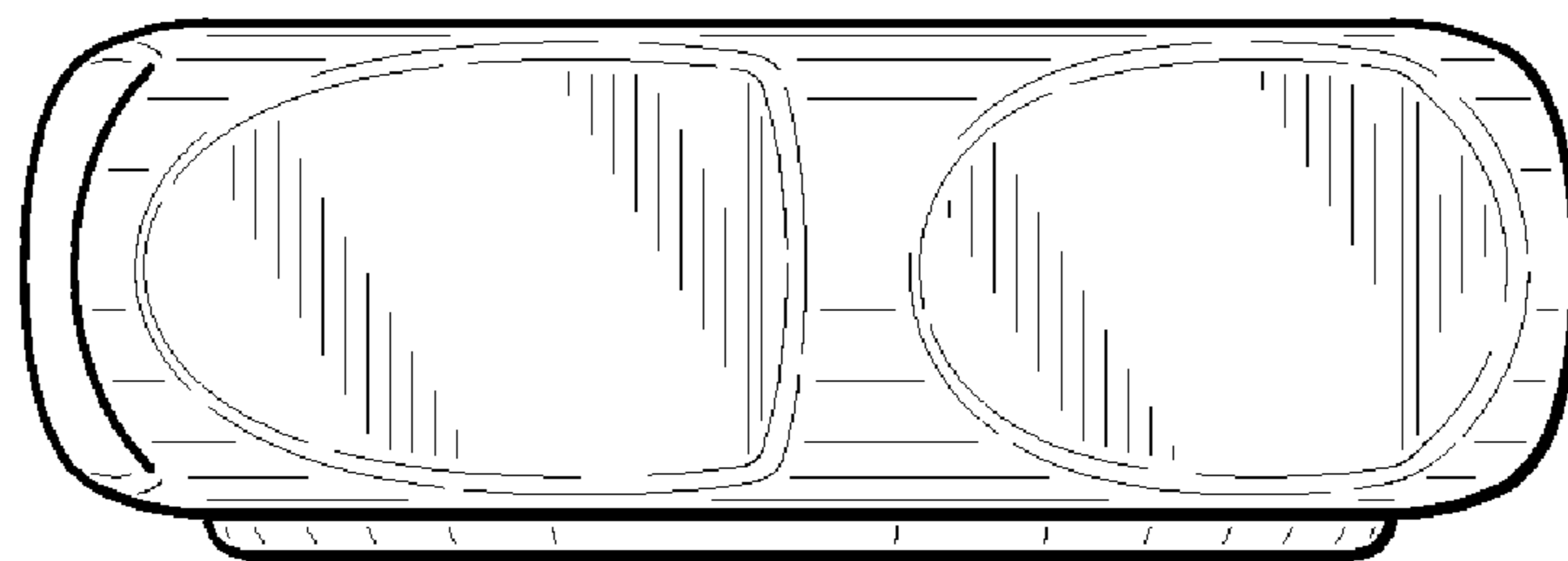


Fig. 7