



US00D568147S

(12) **United States Design Patent**  
**Prichard, Jr. et al.**

(10) **Patent No.:** **US D568,147 S**  
(45) **Date of Patent:** **\*\* May 6, 2008**

(54) **DECK FASTENER WITH SPACER**

(76) Inventors: **William Jacob Prichard, Jr.**, 26086  
Wyndham Rd., Sturgis, MI (US) 49091;  
**Randal Lee Johnson**, 25890 Mintdale  
Rd., Sturgis, MI (US) 49091

(\*\*) Term: **14 Years**

(21) Appl. No.: **29/261,712**

(22) Filed: **Jun. 20, 2006**

(51) **LOC (8) Cl.** ..... **08-08**

(52) **U.S. Cl.** ..... **D8/382**

(58) **Field of Classification Search** ..... D8/380,  
D8/382; 411/458, 461; 52/480, 489.2  
See application file for complete search history.

(56) **References Cited**

U.S. PATENT DOCUMENTS

D327,214 S *	6/1992	Stuart	.....	D8/373
D329,193 S *	9/1992	Togami et al.	.....	D8/354
D347,568 S *	6/1994	Siragusa et al.	.....	D8/382
D357,175 S *	4/1995	Godfrey	.....	D8/382
6,299,400 B1	10/2001	Tebo		
6,416,269 B1	7/2002	Martel		
D481,281 S *	10/2003	Anderson	.....	D8/71
D483,657 S *	12/2003	Kim	.....	D8/382

2005/0063771 A1*	3/2005	Harris	.....	403/294
2005/0252154 A1*	11/2005	Martel et al.	.....	52/712
2007/0056243 A1*	3/2007	Riccitelli	.....	52/698

OTHER PUBLICATIONS

U.S. Appl. No. 29/216,250, filed Oct. 15, 2004, Prichard.

\* cited by examiner

*Primary Examiner*—Holly H. Baynham  
*Assistant Examiner*—Sheryl Friedman

(57) **CLAIM**

The ornamental design for a deck fastener with spacer, as shown and described.

**DESCRIPTION**

FIG. 1 is a top view of the deck fastener with spacer showing our new design;

FIG. 2 is a bottom view thereof;

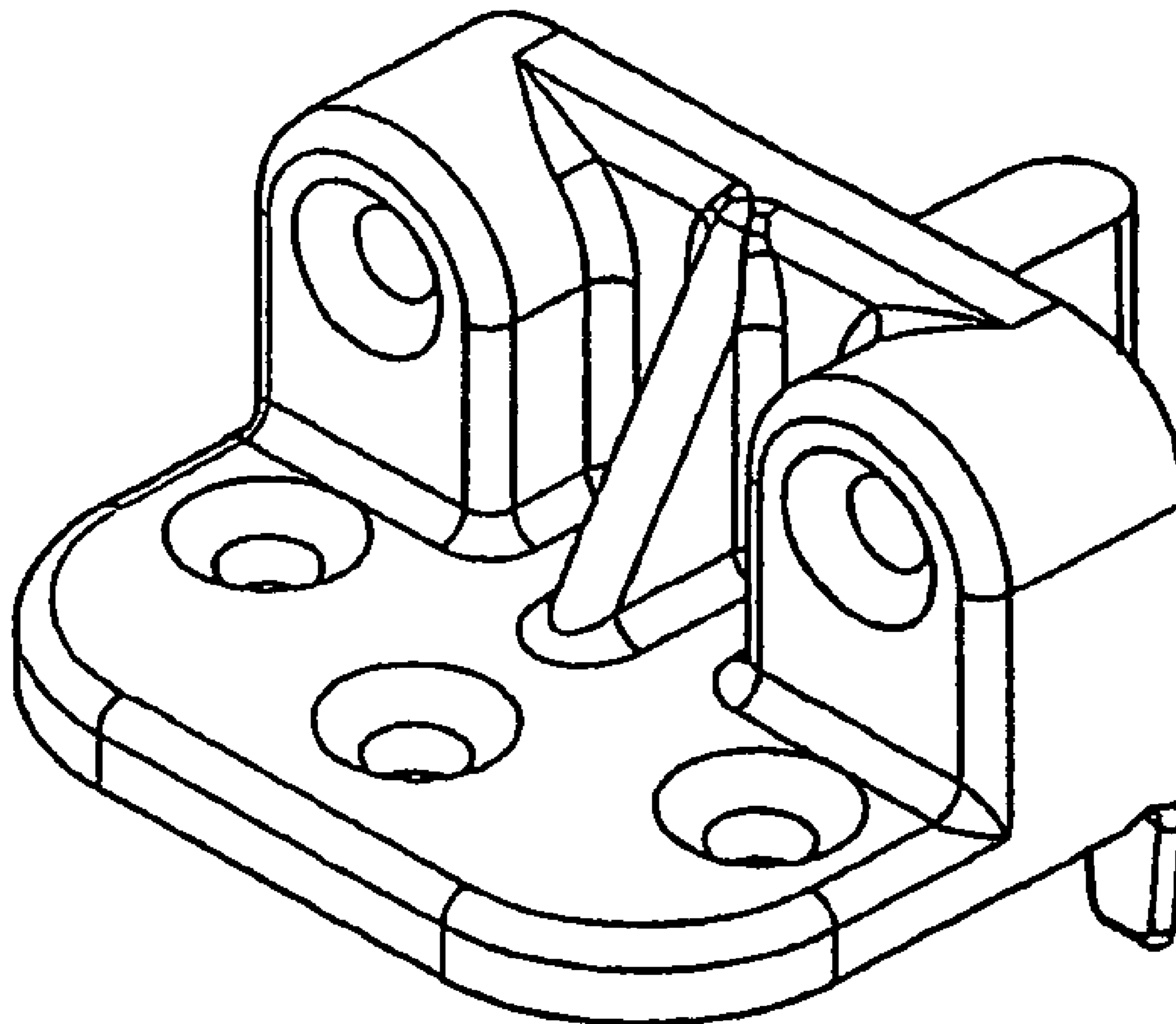
FIG. 3 is a front view thereof;

FIG. 4 is a left side view thereof, the right side being a mirror image thereof;

FIG. 5 is a front perspective view thereof; and,

FIG. 6 is a bottom perspective view thereof.

**1 Claim, 2 Drawing Sheets**



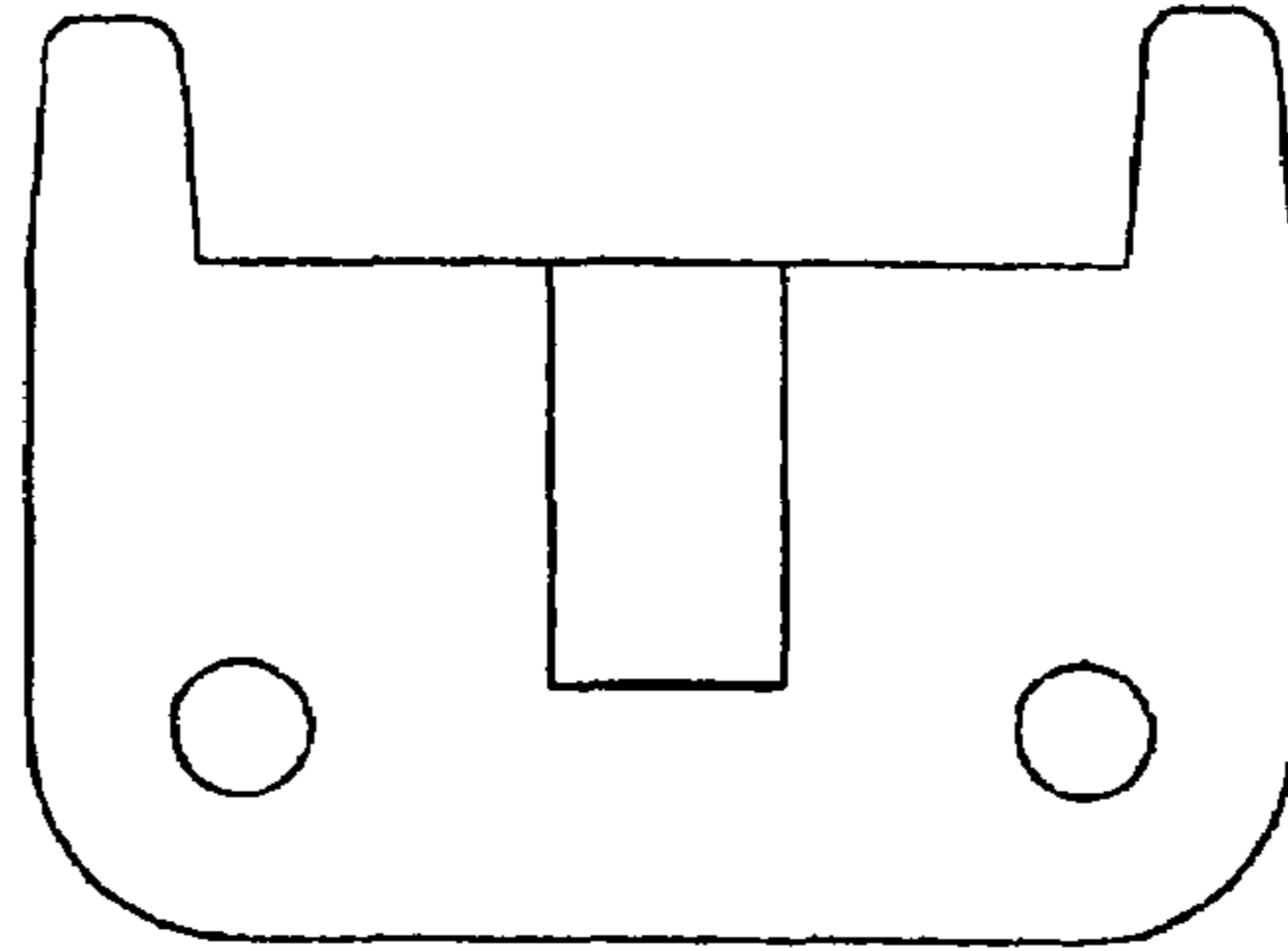


FIG 1

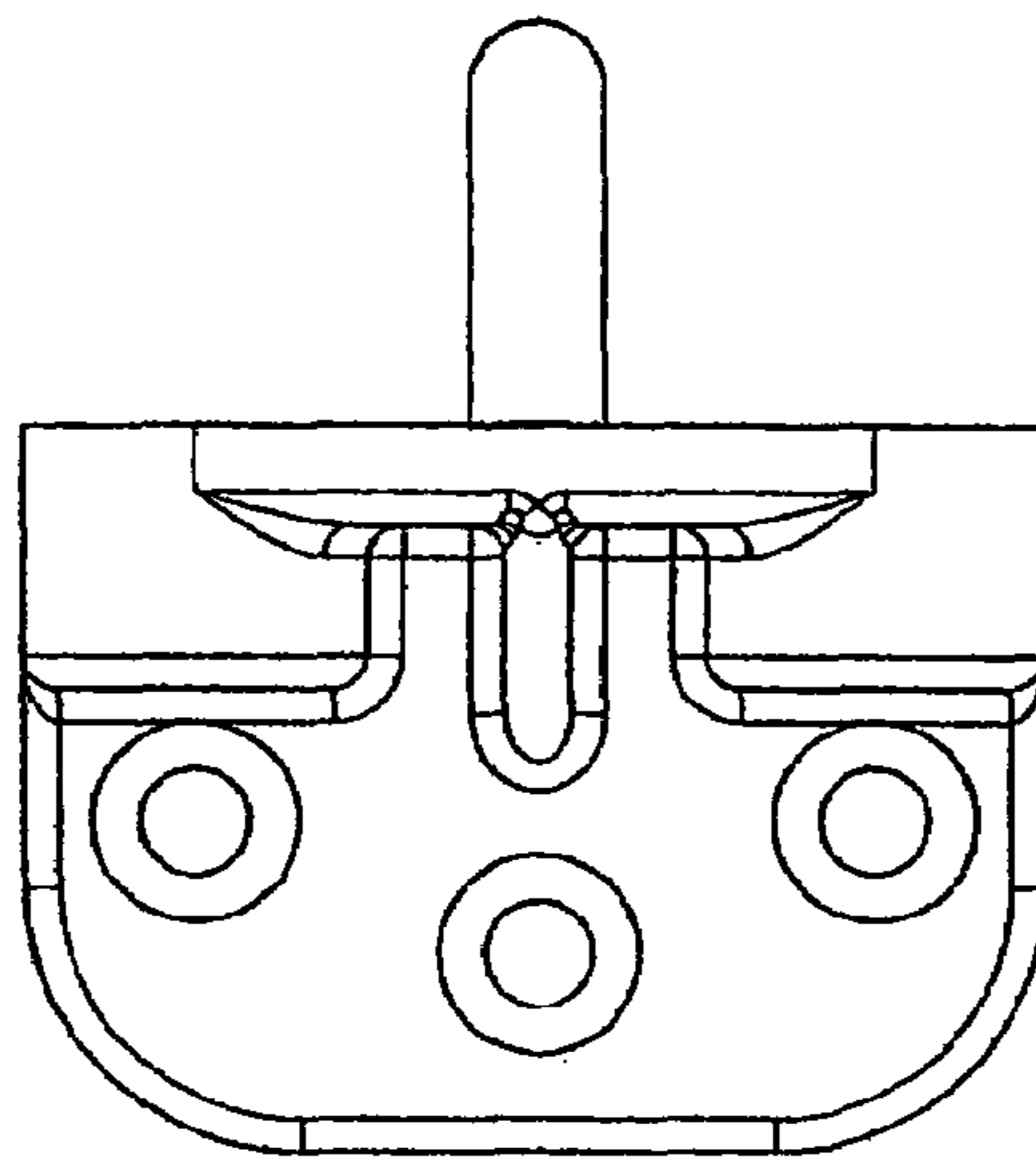


FIG 3

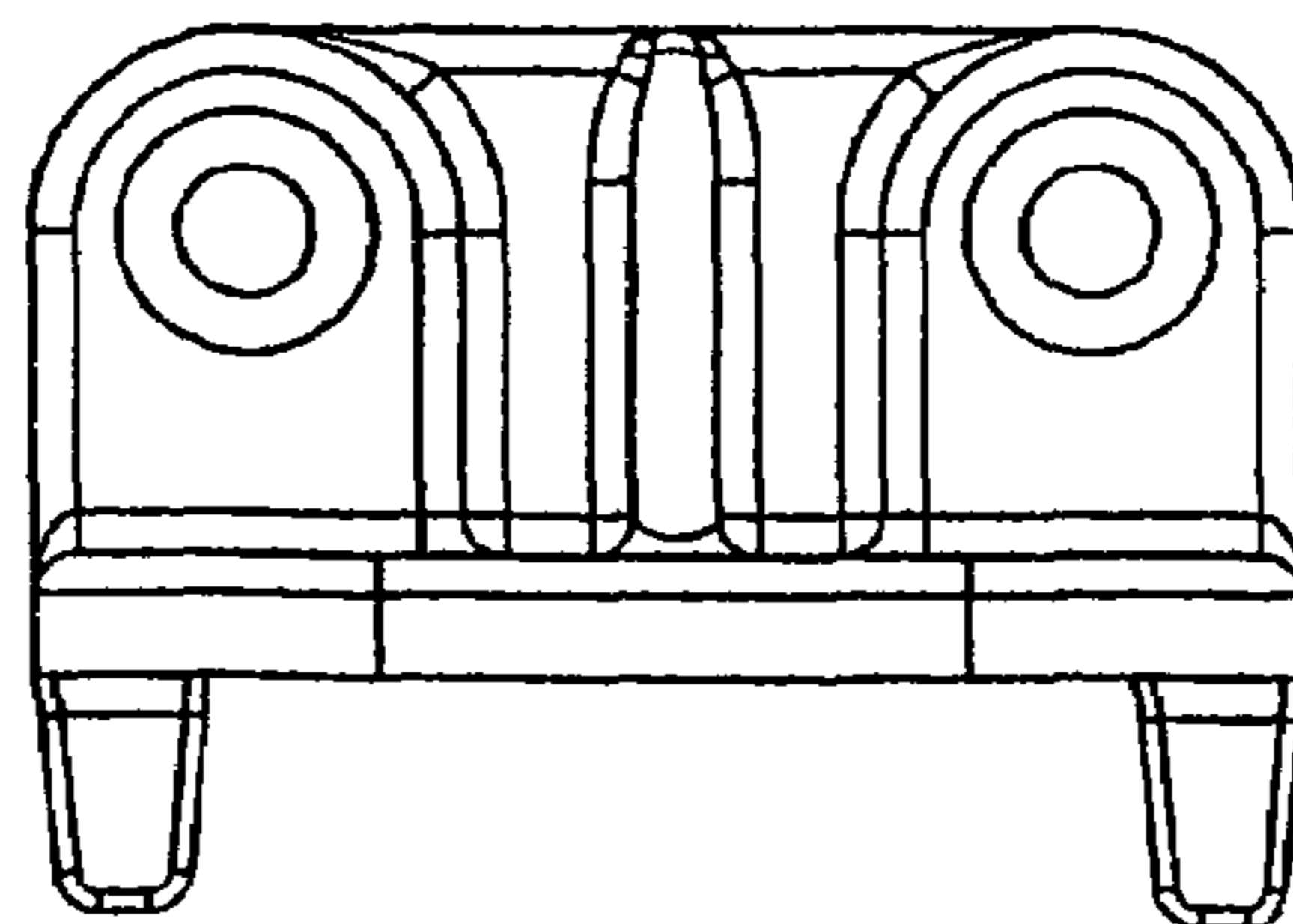


FIG 2

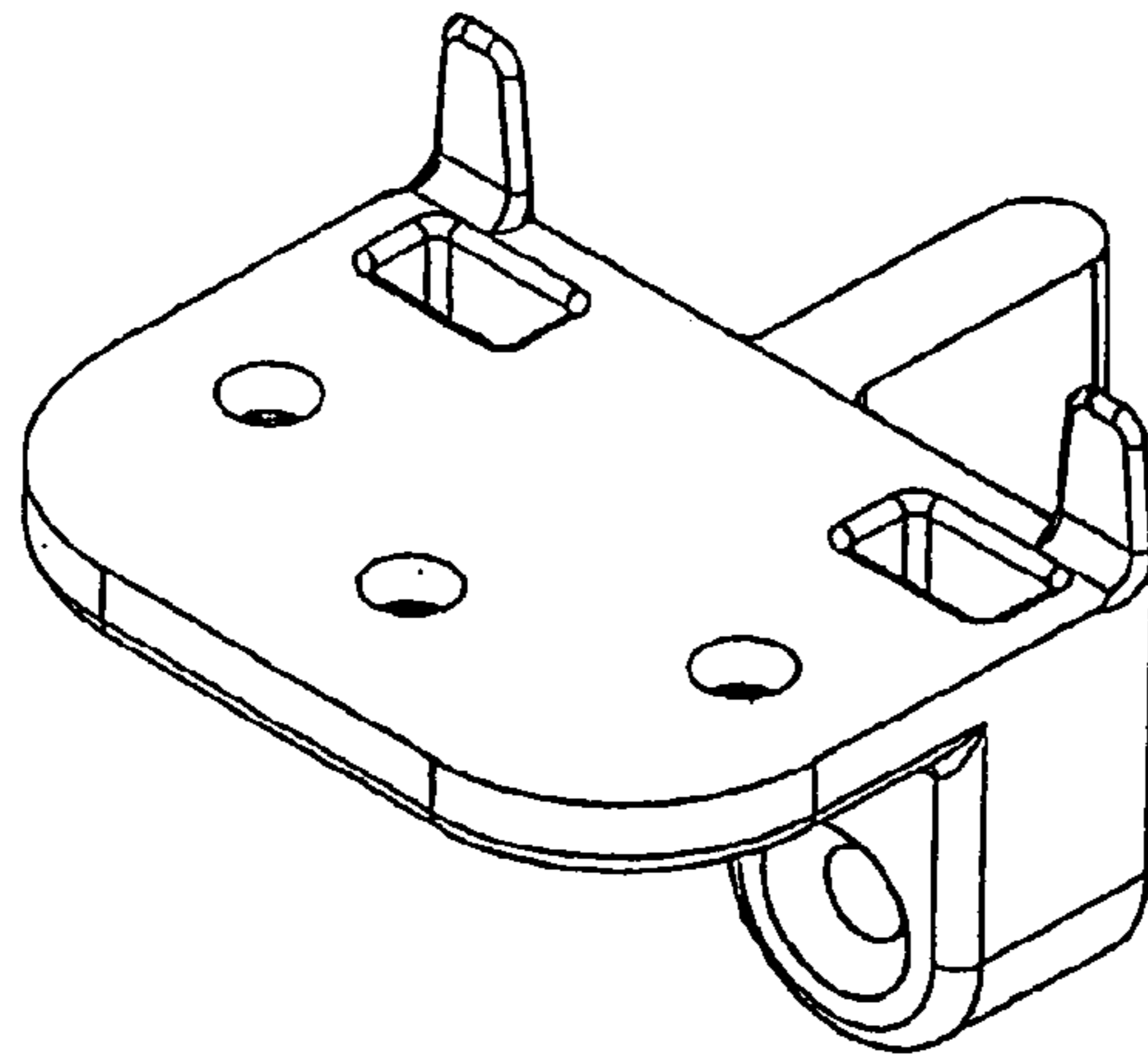


FIG 6

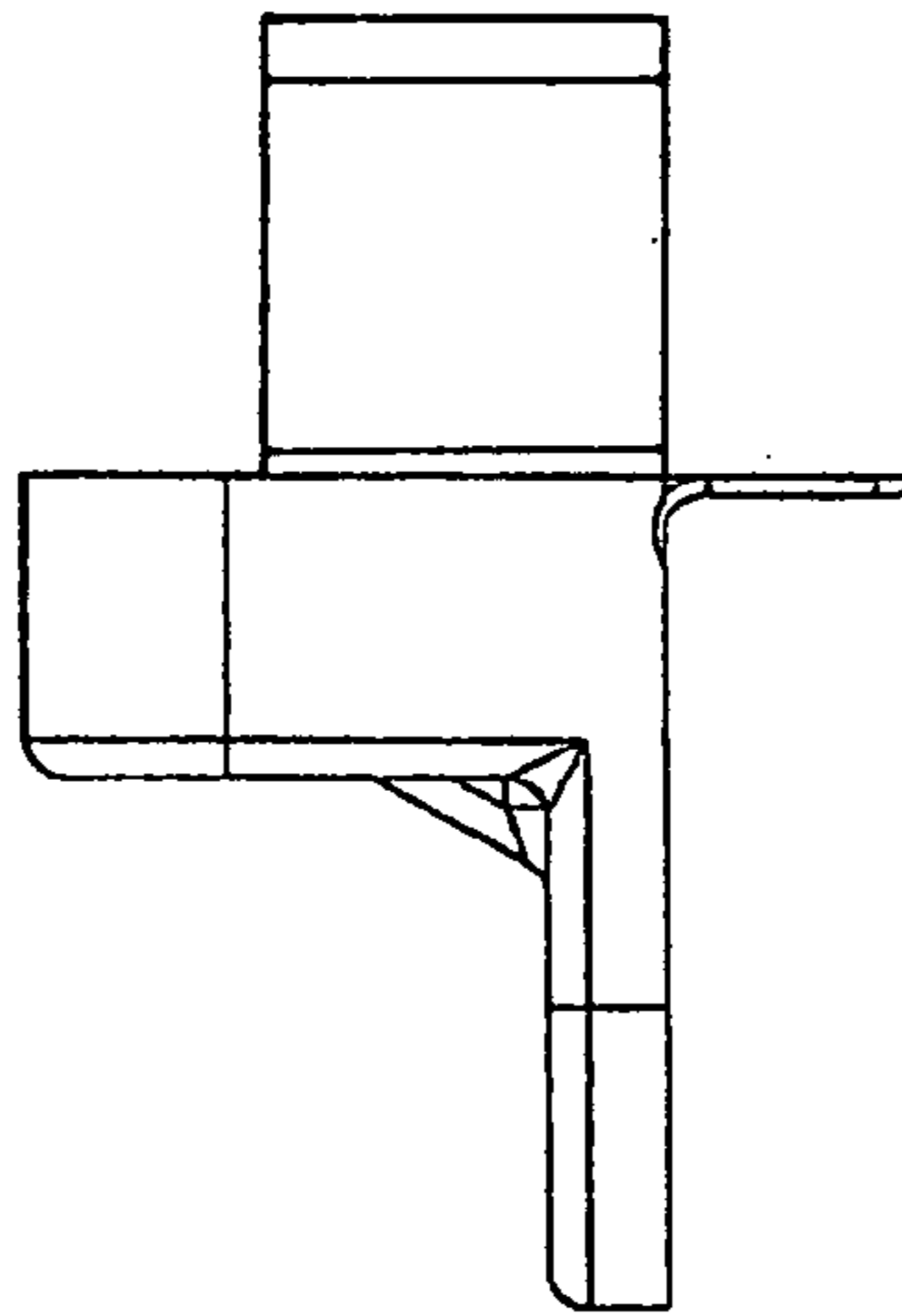


FIG 4

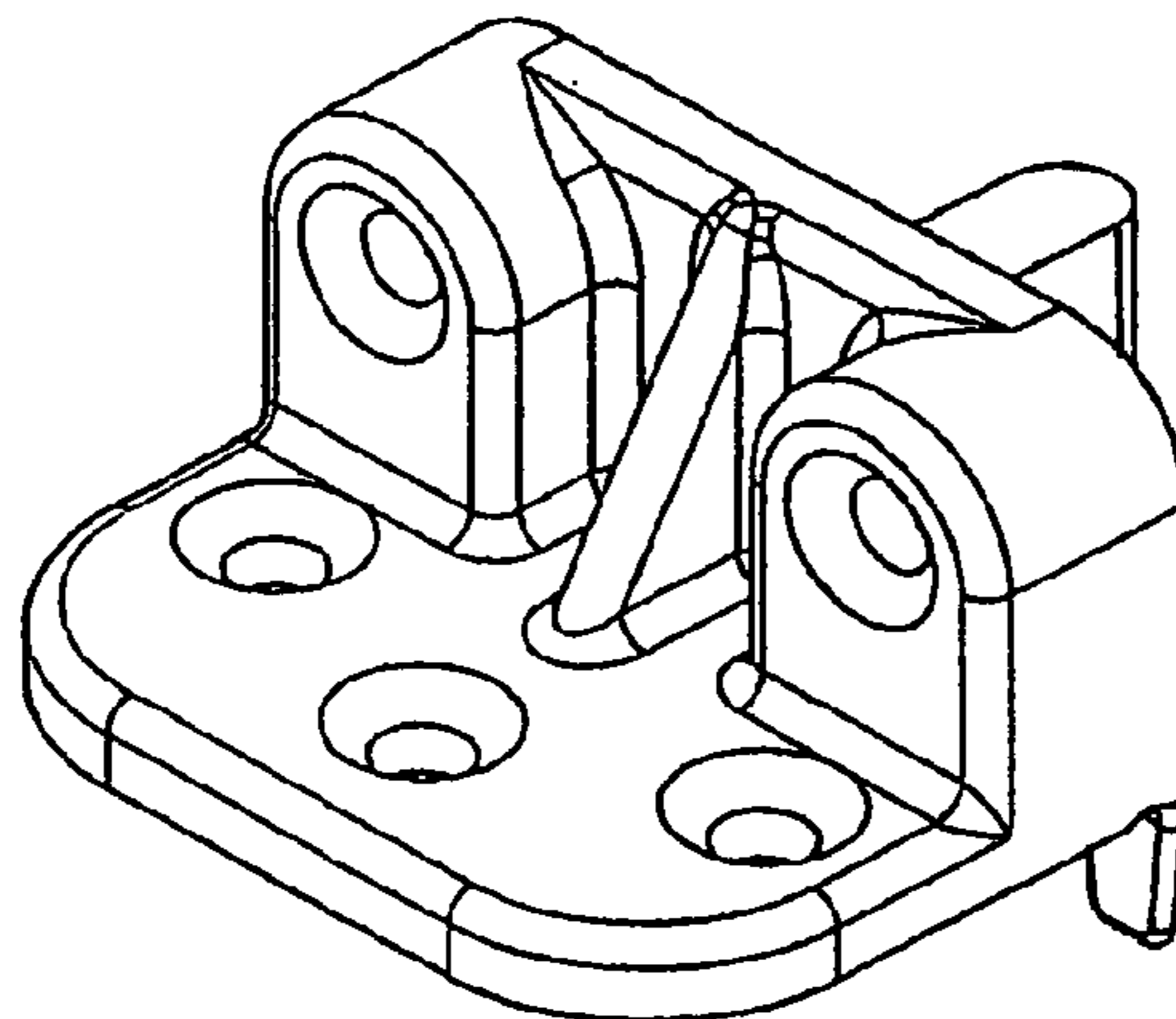


FIG 5