



US00D568146S

(12) **United States Design Patent**  
**ter Braak**

(10) **Patent No.:** **US D568,146 S**

(45) **Date of Patent:** **\*\* May 6, 2008**

(54) **CURTAIN RAIL**

(76) **Inventor:** **Bart ter Braak**, Van Ghentlann 18,  
3941 WN Doorn (NL)

(\*\*) **Term:** **14 Years**

(21) **Appl. No.:** **29/235,659**

(22) **Filed:** **Aug. 4, 2005**

(30) **Foreign Application Priority Data**

Feb. 9, 2005 (EM) ..... 000292586-0001

(51) **LOC (8) Cl.** ..... **08-05**

(52) **U.S. Cl.** ..... **D8/377**

(58) **Field of Classification Search** ..... D8/377,  
D8/382; D3/260; D6/575-581; D12/220;  
D13/155; 160/32, 168, 1 V, 496; 4/506;  
52/656.6; D20/44; D25/119, 122; 248/251  
See application file for complete search history.

(56) **References Cited**

**U.S. PATENT DOCUMENTS**

- 3,031,049 A \* 4/1962 Somville ..... 52/656.6
- D310,775 S \* 9/1990 Ruonala ..... D8/377
- D367,839 S \* 3/1996 Abbott et al. .... D12/220
- 5,584,459 A \* 12/1996 Meyer ..... 248/251
- D450,234 S \* 11/2001 Bosgoed ..... D8/377
- D455,336 S \* 4/2002 Anderson ..... D8/377
- D488,055 S \* 4/2004 Ter Braak ..... D8/377
- D491,055 S \* 6/2004 Chou ..... D8/382

- D495,592 S \* 9/2004 Mausar et al. .... D8/377
- D519,310 S \* 4/2006 Schorling ..... D6/580
- D521,656 S \* 5/2006 Terrels ..... D25/122

\* cited by examiner

*Primary Examiner*—T. Chase Nelson

*Assistant Examiner*—Barbara Blanton Lohr

(74) *Attorney, Agent, or Firm*—Altera Law Group, LLC

(57) **CLAIM**

The ornamental design for a curtain rail, as shown and described.

**DESCRIPTION**

FIG. 1 is an elevational view of the curtain rail.

FIG. 2 is a top view thereof.

FIG. 3 is a left side view thereof.

FIG. 4 is a right side view thereof.

FIG. 5 is a bottom view thereof.

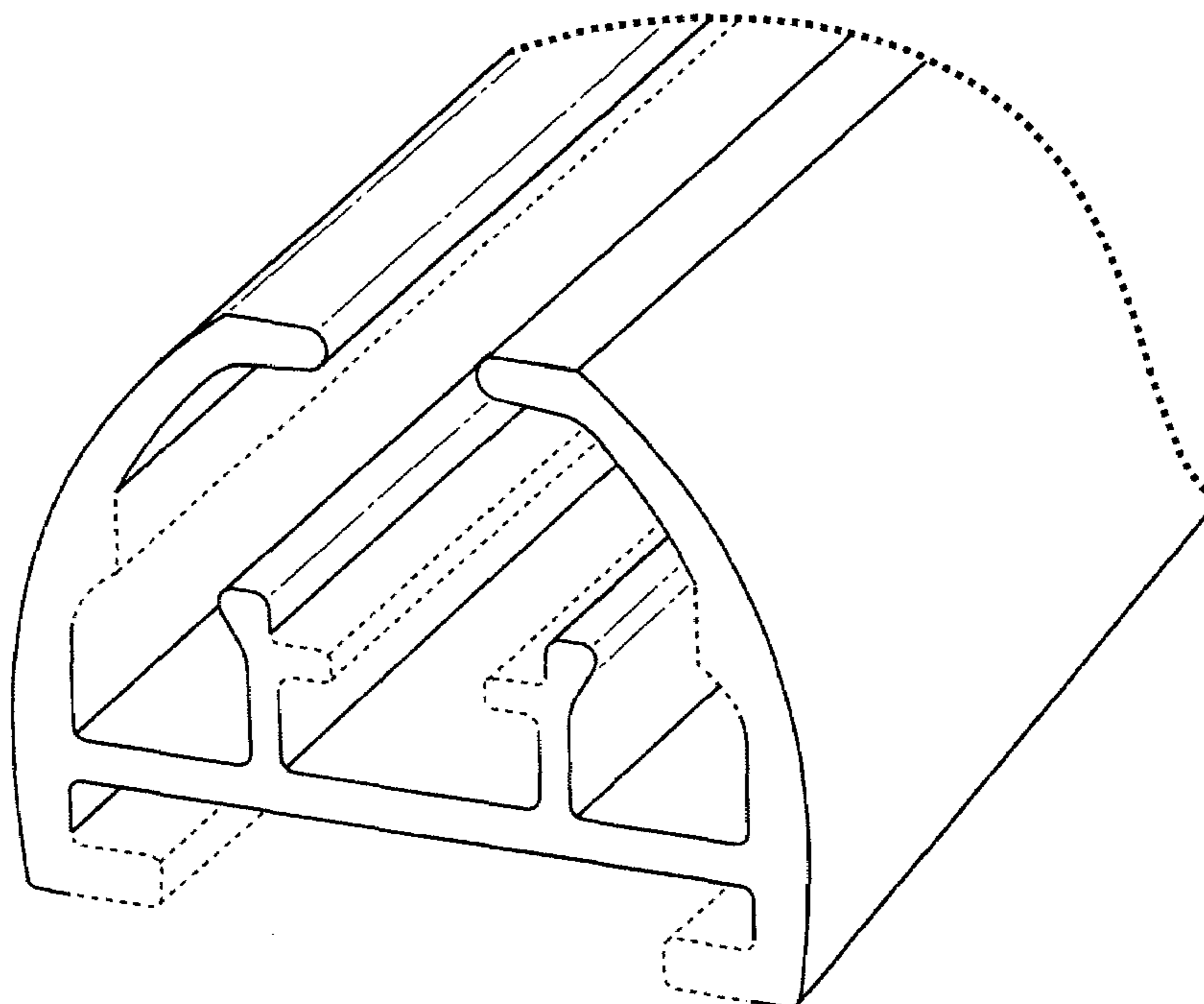
FIG. 6 is an enlarged elevational view thereof; and,

FIG. 7 is a perspective view thereof.

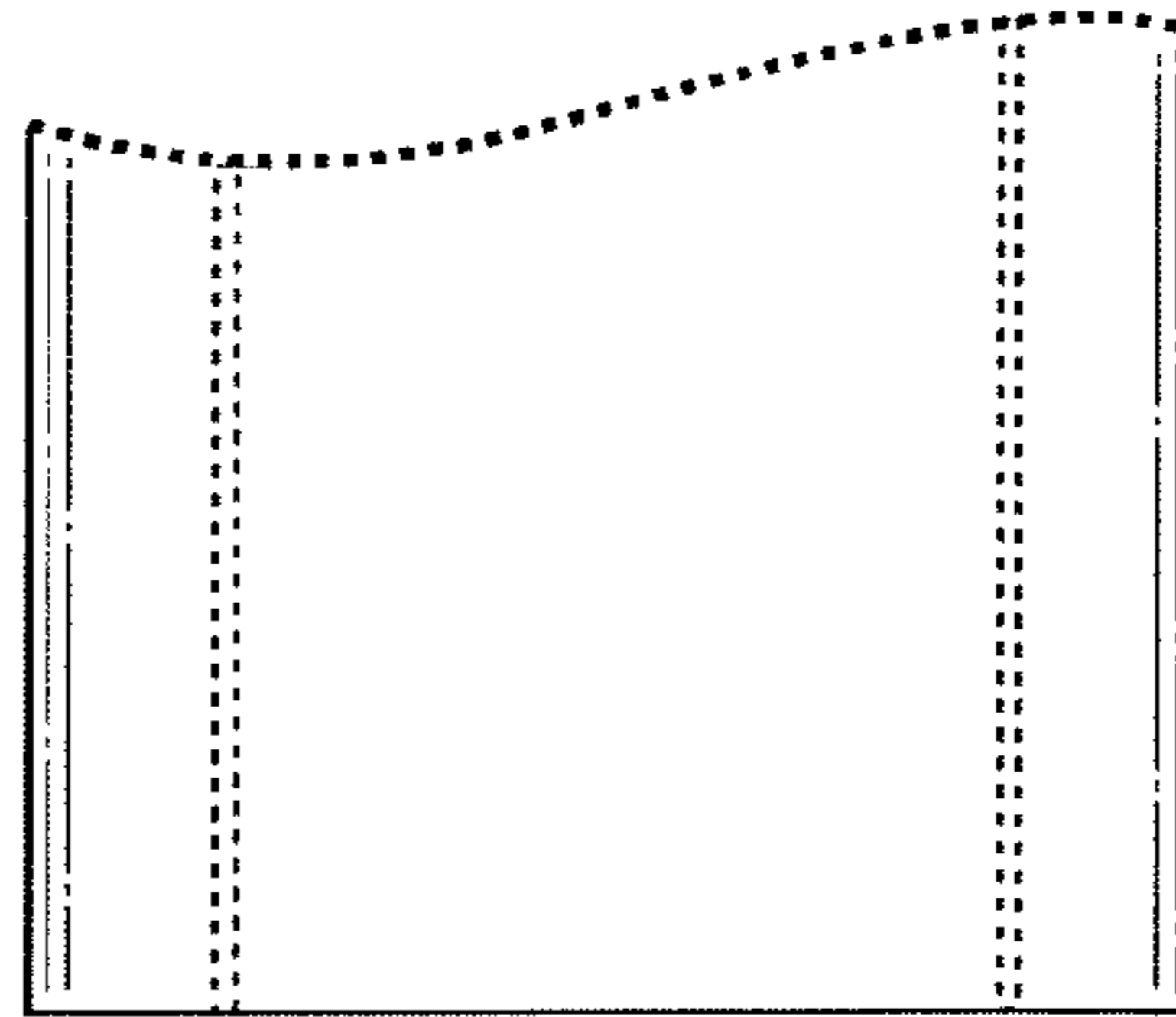
The broken line showing the portions of the curtain rail is for illustrative purposes only and forms no part of the claimed design.

The curtain rail is shown broken away in order to indicate that a specific length forms no part of the claimed design.

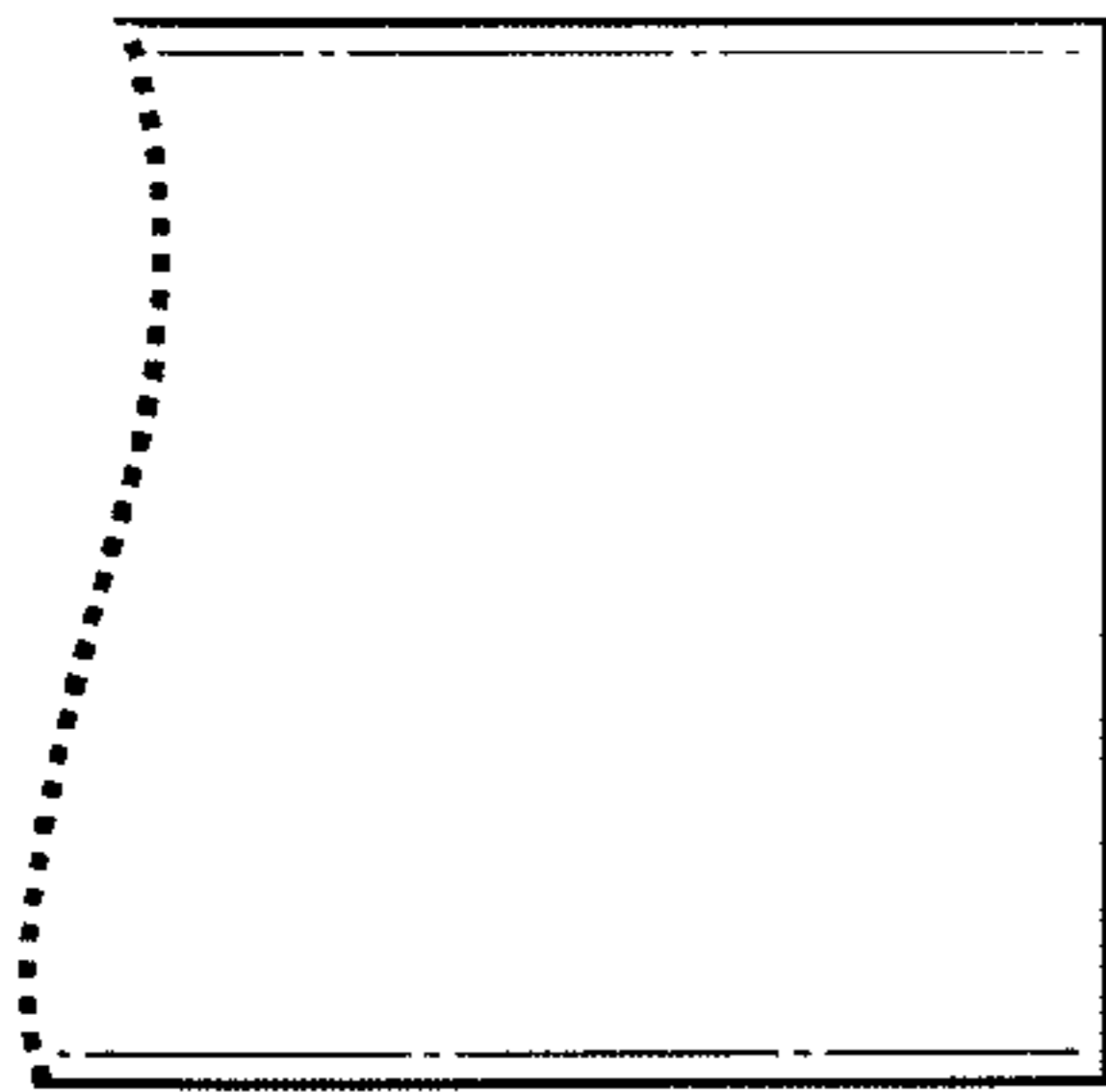
**1 Claim, 3 Drawing Sheets**



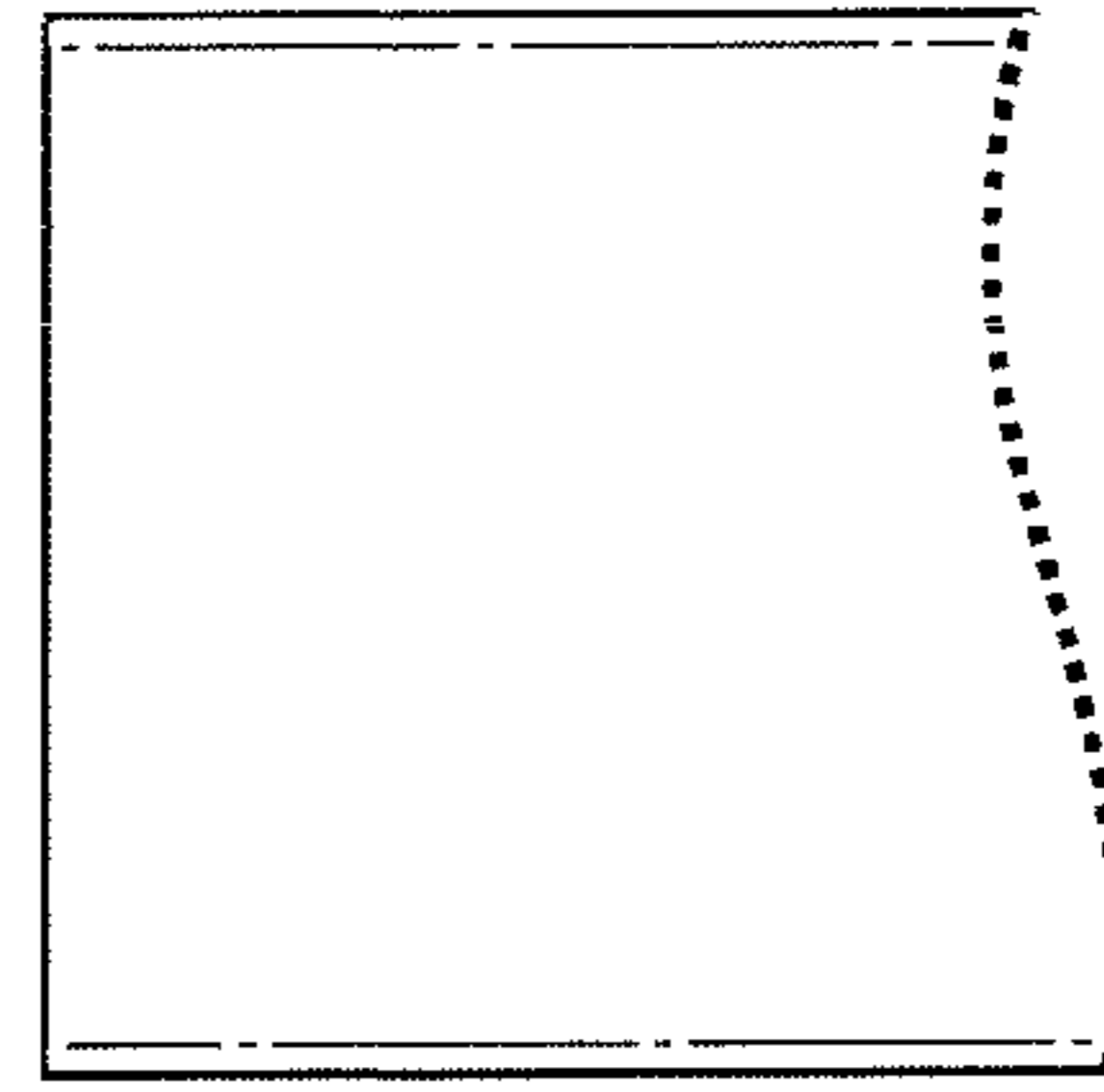
**Fig. 2**



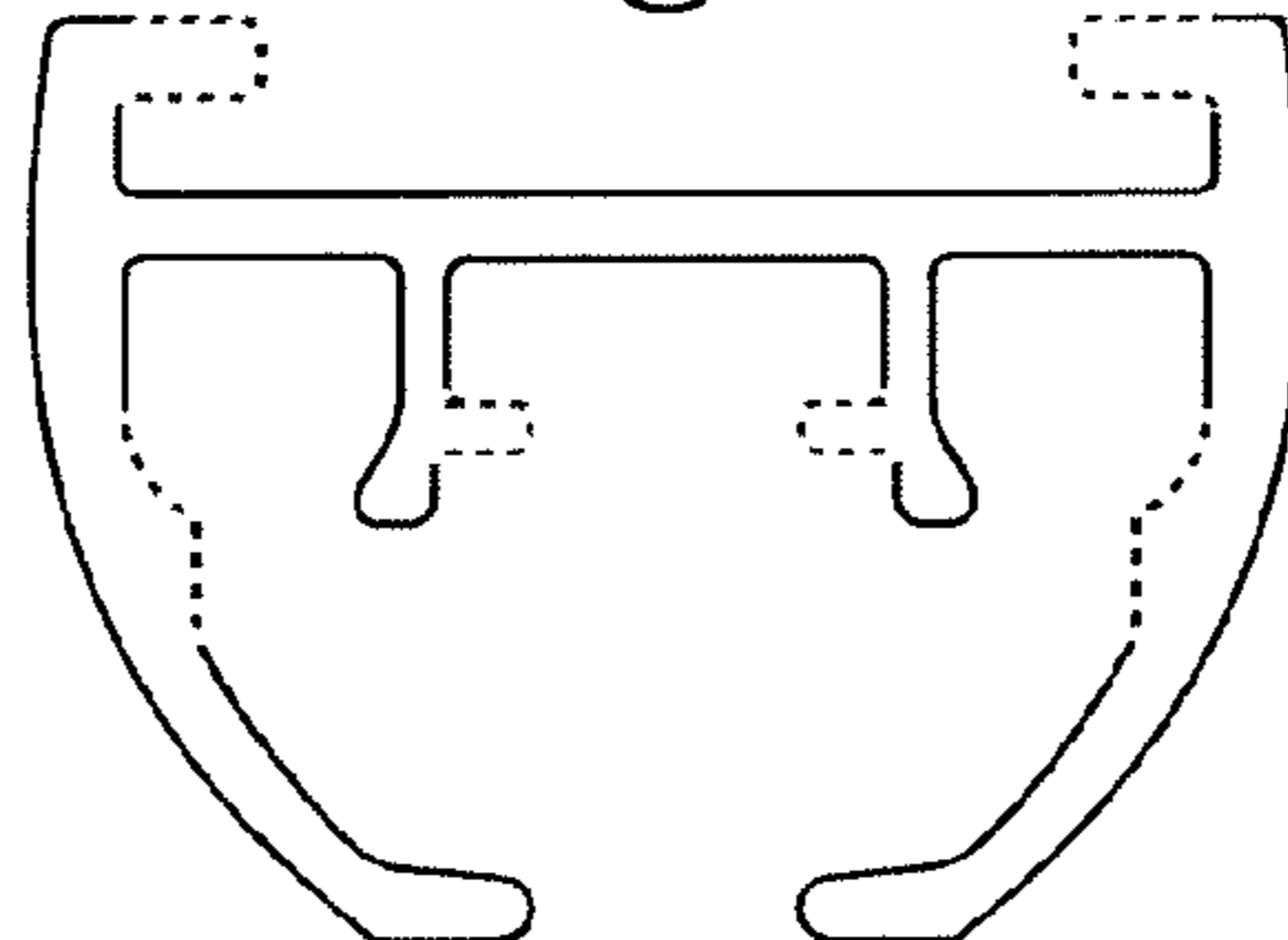
**Fig. 3**



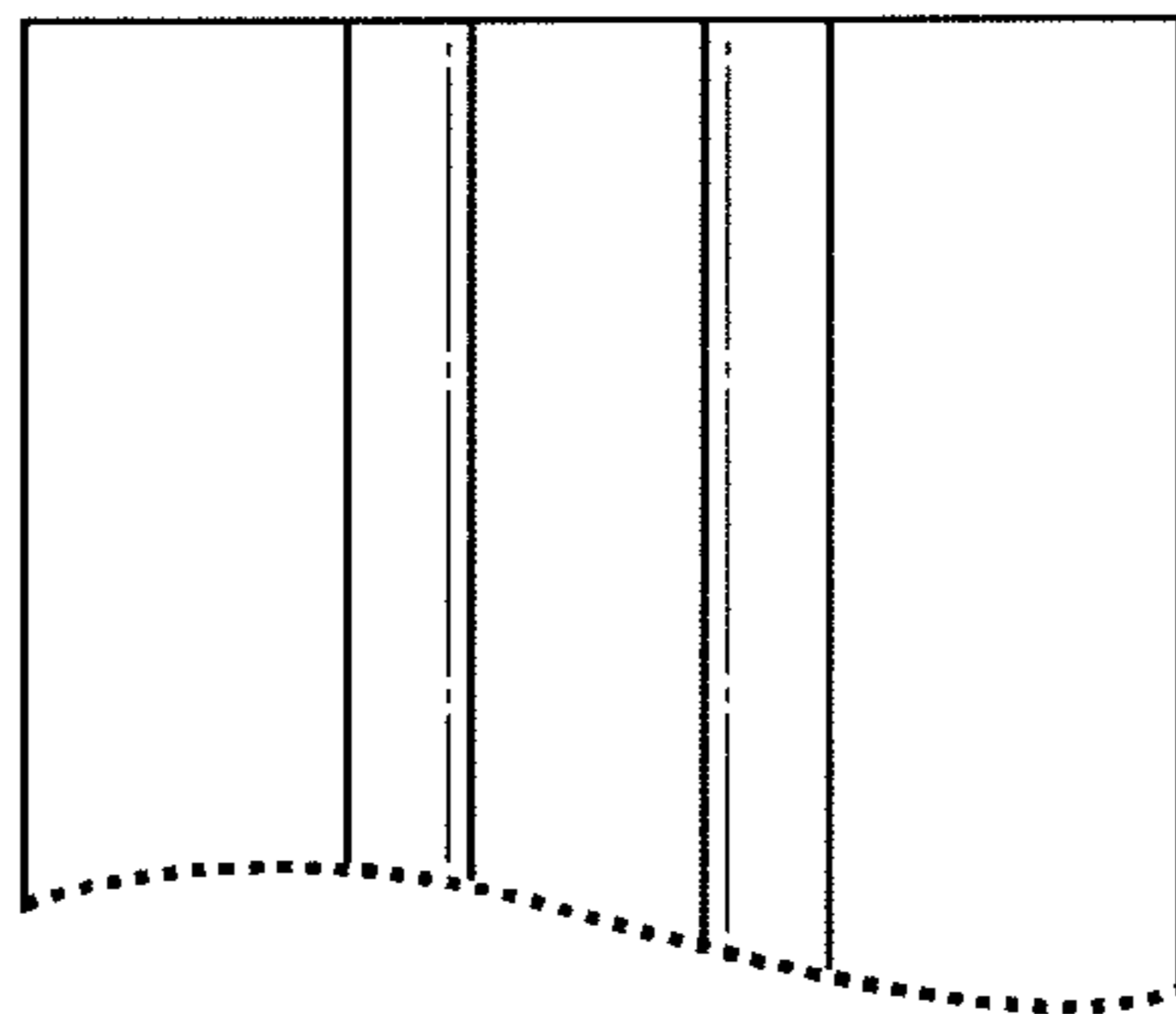
**Fig. 4**

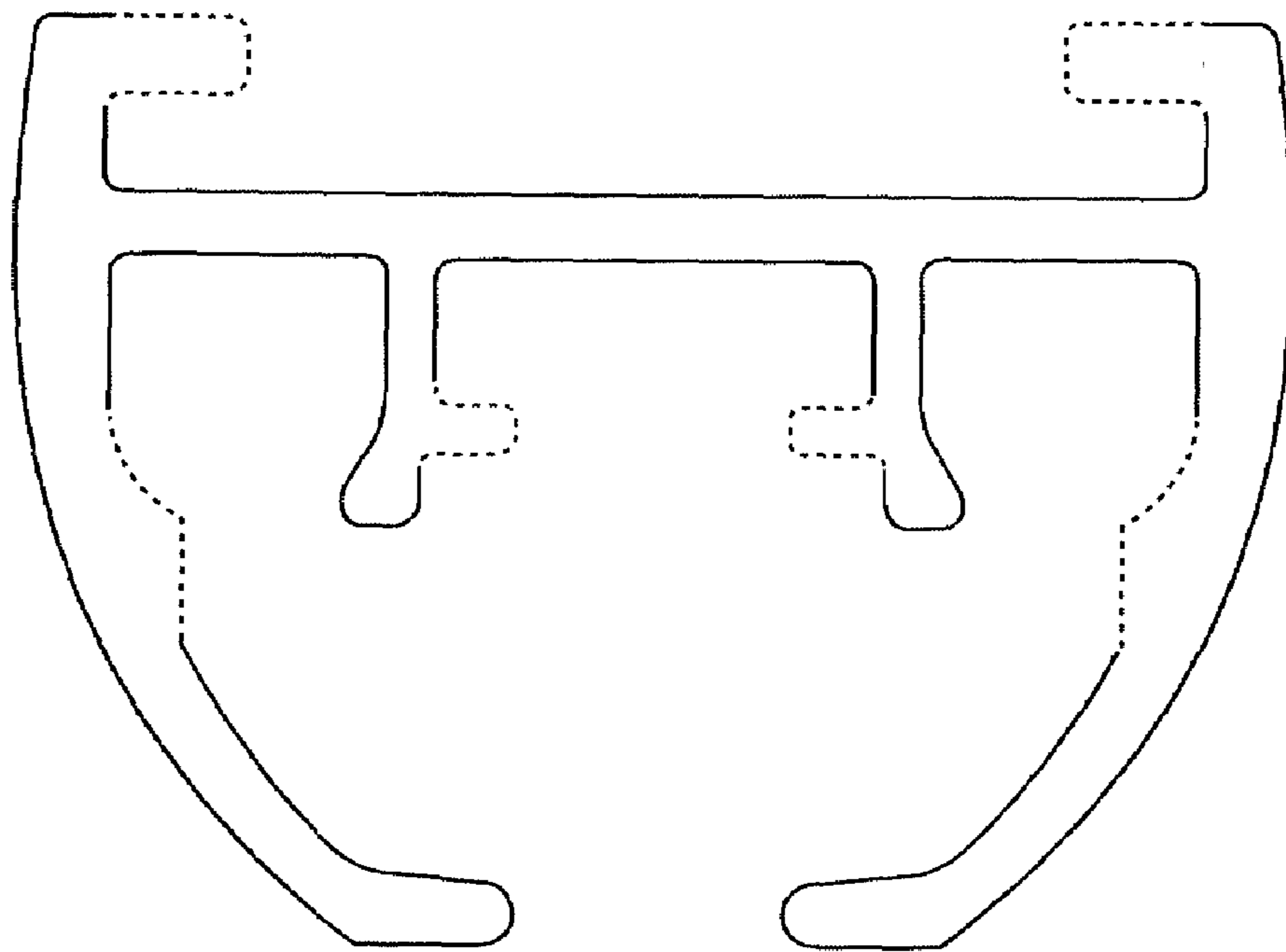


**Fig. 1**



**Fig. 5**





**Fig. 6**

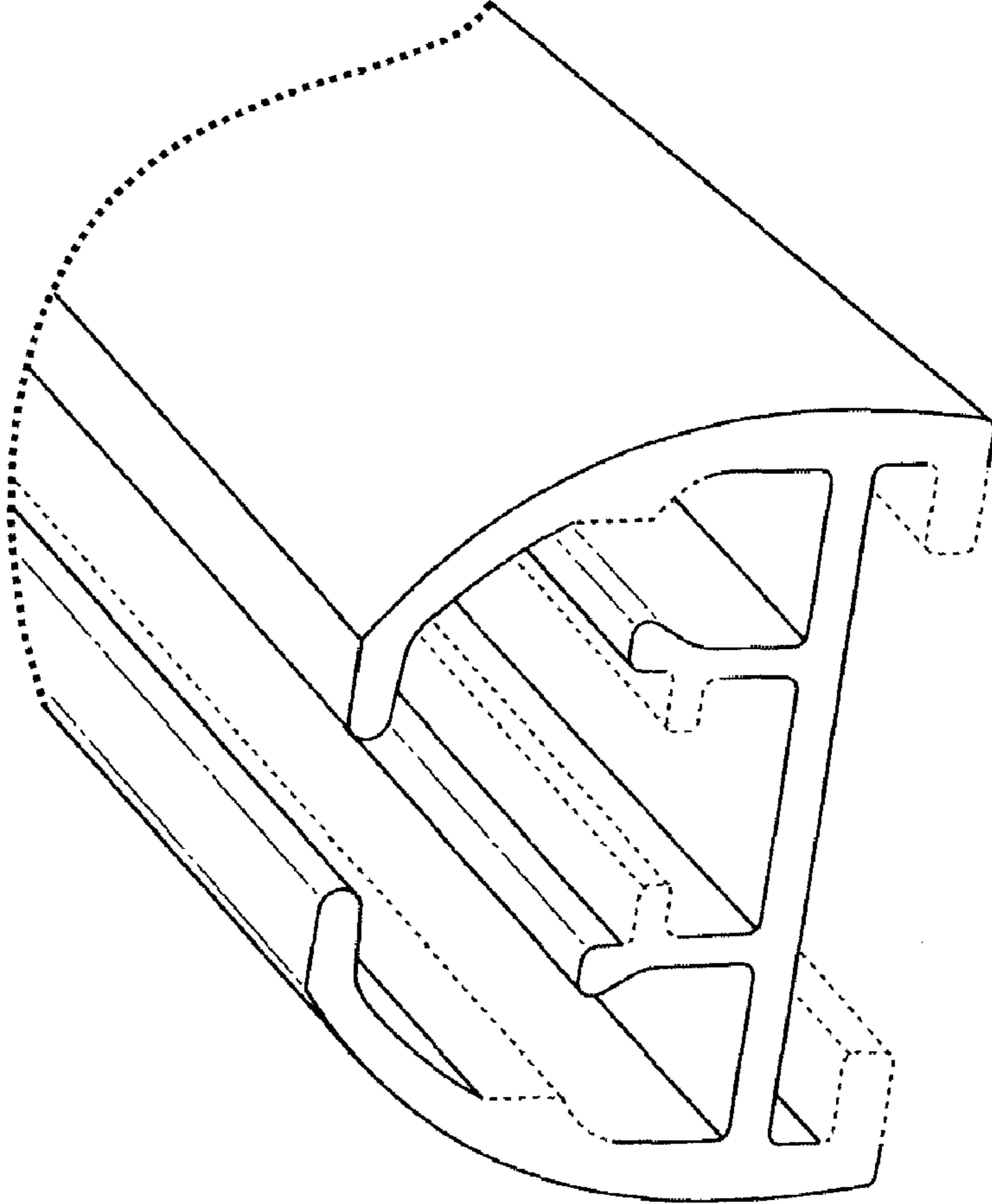


Fig. 7