



US00D568145S

(12) **United States Design Patent** (10) **Patent No.:** **US D568,145 S**
Handel (45) **Date of Patent:** **** May 6, 2008**

(54) **HOOK**
(75) Inventor: **Mark Van Handel**, Madison, WI (US)
(73) Assignee: **Master Lock Company LLC**, Oak Creek, WI (US)
(**) Term: **14 Years**
(21) Appl. No.: **29/291,980**
(22) Filed: **Sep. 24, 2007**

D457,420 S * 5/2002 Kalat D8/370
D458,831 S 6/2002 Selby
D481,296 S * 10/2003 Chen D8/367
2005/0050695 A1 3/2005 Mackey et al.

FOREIGN PATENT DOCUMENTS

EP 1329646 7/2003
FR 2208805 6/1974

* cited by examiner

Primary Examiner—Holly H. Baynham
(74) *Attorney, Agent, or Firm*—Calfee, Halter Griswold LLP

Related U.S. Application Data

(62) Division of application No. 29/244,698, filed on Dec. 13, 2005.

(51) **LOC (8) Cl.** **08-05**
(52) **U.S. Cl.** **D8/370**
(58) **Field of Classification Search** D8/367,
D8/370; 248/302–303, 339
See application file for complete search history.

(57) **CLAIM**

The ornamental design for a hook, as shown and described.

DESCRIPTION

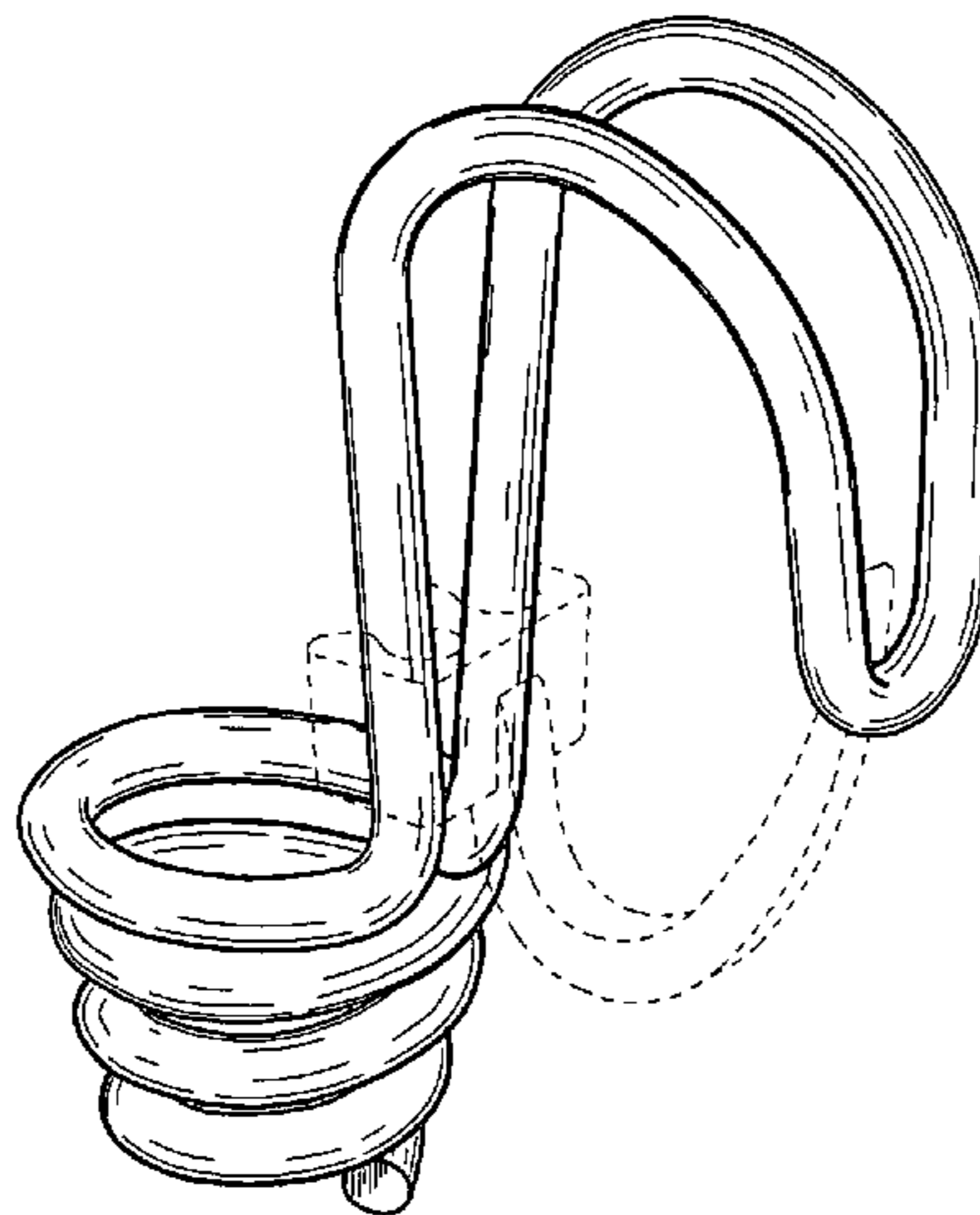
FIG. 1 is an environmental, perspective view of a hook of the new design;
FIG. 2 is a right side view of the hook of FIG. 1;
FIG. 3 is a left side view of the hook of FIG. 1;
FIG. 4 is a rear view of the hook of FIG. 1;
FIG. 5 is a front view of the hook of FIG. 1;
FIG. 6 is a top view of the hook of FIG. 1;
FIG. 7 is a bottom view of the hook of FIG. 1;
FIG. 8 is a second perspective view of the hook;
FIG. 9 is a right side view of the hook of FIG. 8;
FIG. 10 is a left side view of the hook of FIG. 8;
FIG. 11 is a rear view of the hook of FIG. 8;
FIG. 12 is a front view of the hook of FIG. 8;
FIG. 13 is a top view of the hook of FIG. 8; and,
FIG. 14 is a bottom view of the hook of FIG. 8.
The portions of the Figures shown in phantom lines are not part of the claimed design, but are for illustration purposes only.

(56) **References Cited**

U.S. PATENT DOCUMENTS

D32,573 S * 4/1900 Storrs D26/141
2,208,152 A * 7/1940 Badhorn 248/303
D260,234 S * 8/1981 Johnson, Jr. D8/370
4,559,677 A 12/1985 Tracy
4,831,692 A 5/1989 Chuan
D307,705 S 5/1990 Mair
4,995,329 A 2/1991 Kleine
5,317,788 A 6/1994 Esposito et al.
5,490,650 A * 2/1996 Pendergrass 248/220.31
5,553,822 A * 9/1996 Barnard et al. 248/302
5,638,584 A 6/1997 DeAnfrasio
5,655,329 A * 8/1997 Yong-Set 43/44.92
D389,036 S * 1/1998 Smiley et al. D8/370
5,758,392 A 6/1998 Anscher et al.
5,913,479 A 6/1999 Westwood, III
D417,386 S 12/1999 Huston
6,012,204 A 1/2000 Roethler
6,014,794 A 1/2000 McCoy
6,328,179 B1 12/2001 Conrado et al.

1 Claim, 4 Drawing Sheets



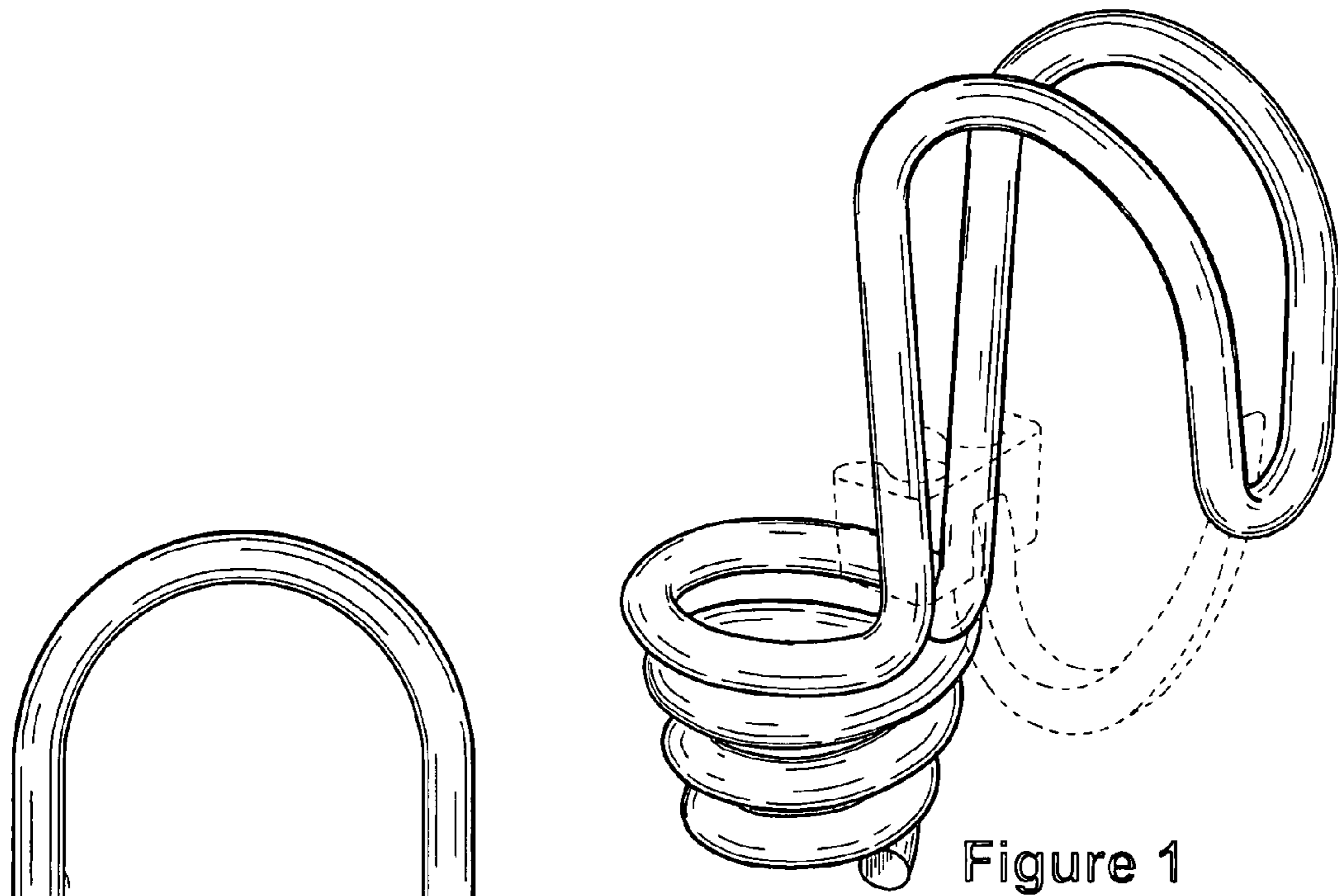


Figure 1

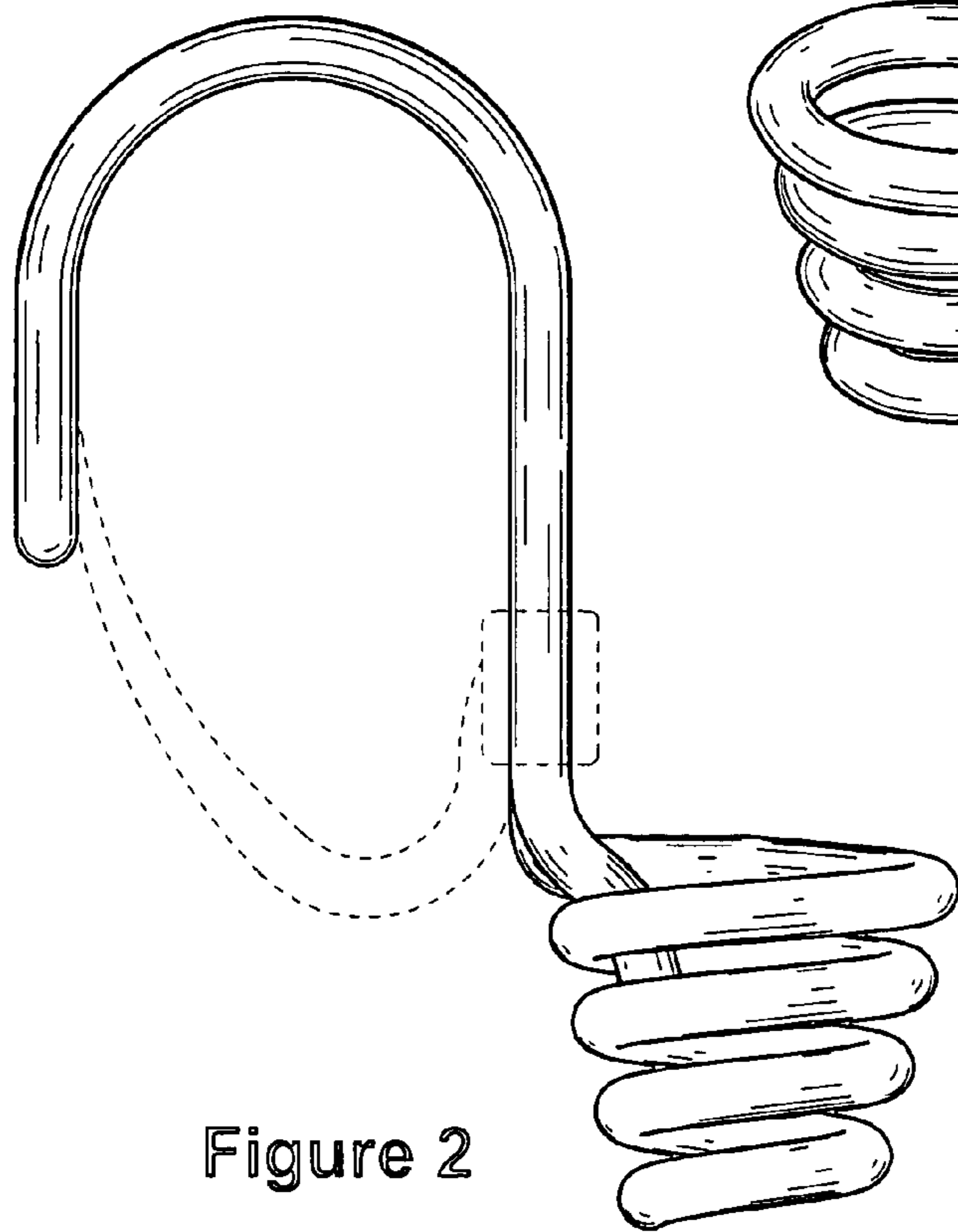


Figure 2

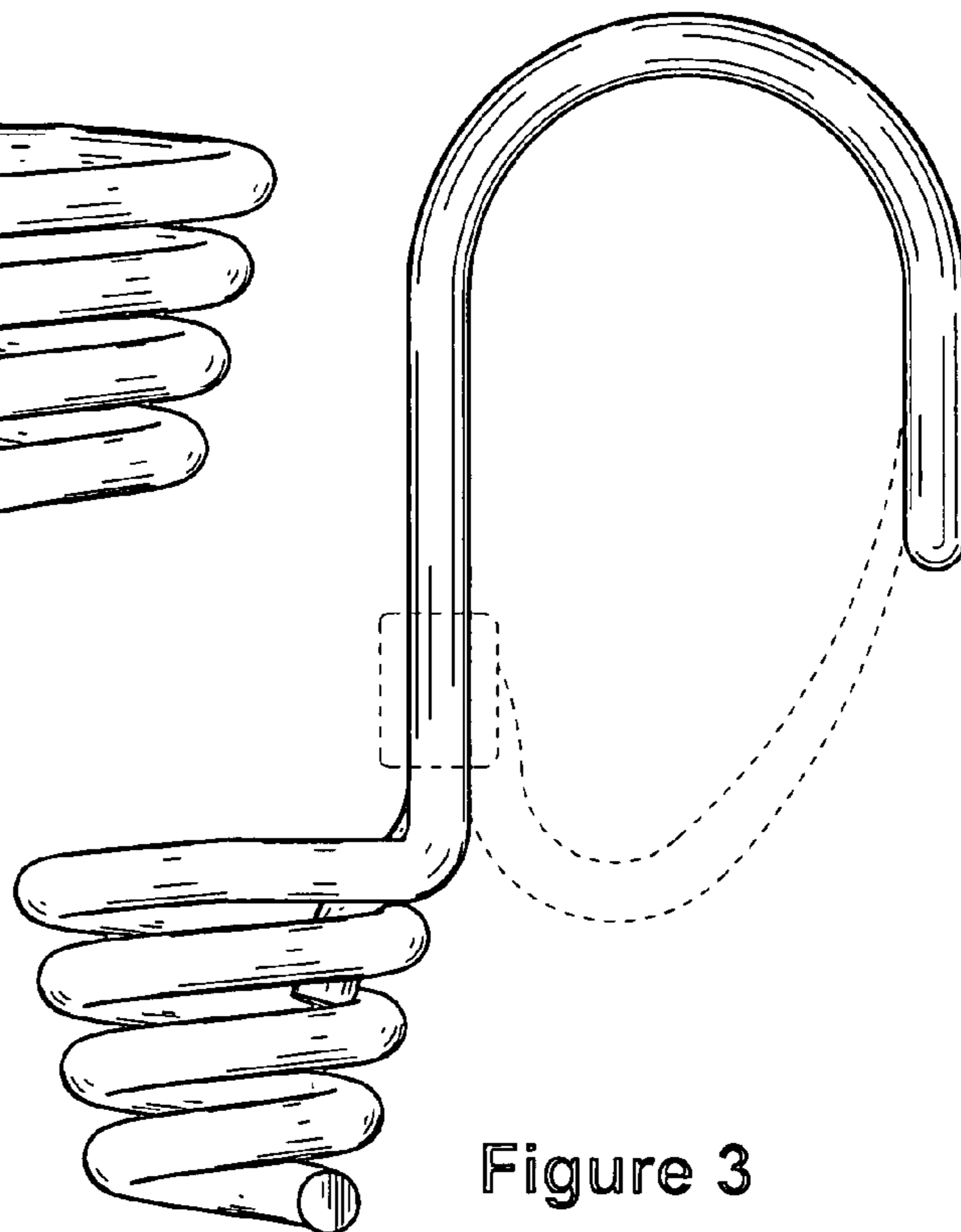


Figure 3

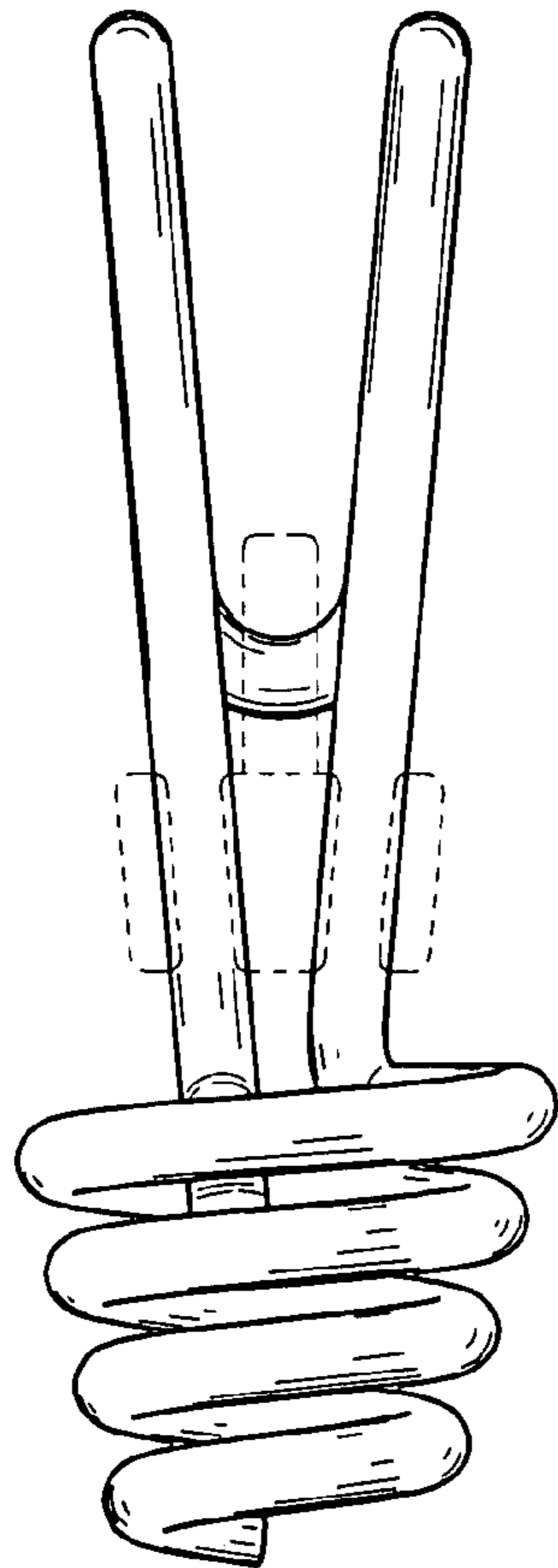


Figure 4

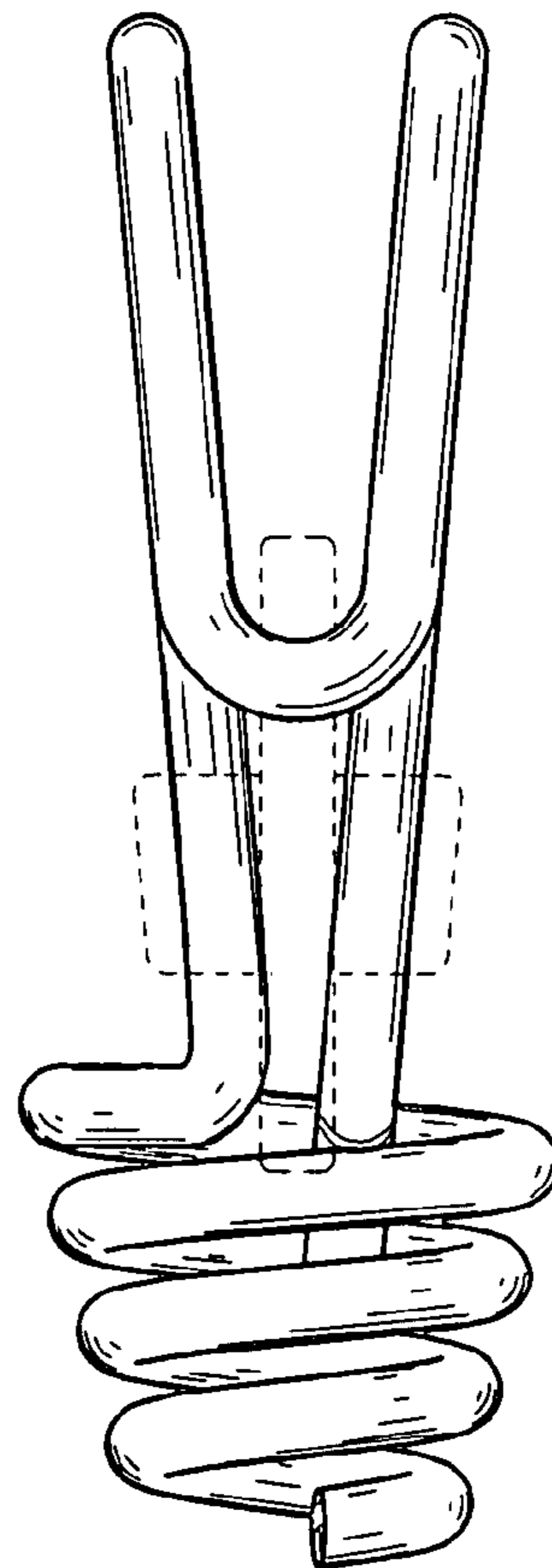


Figure 5

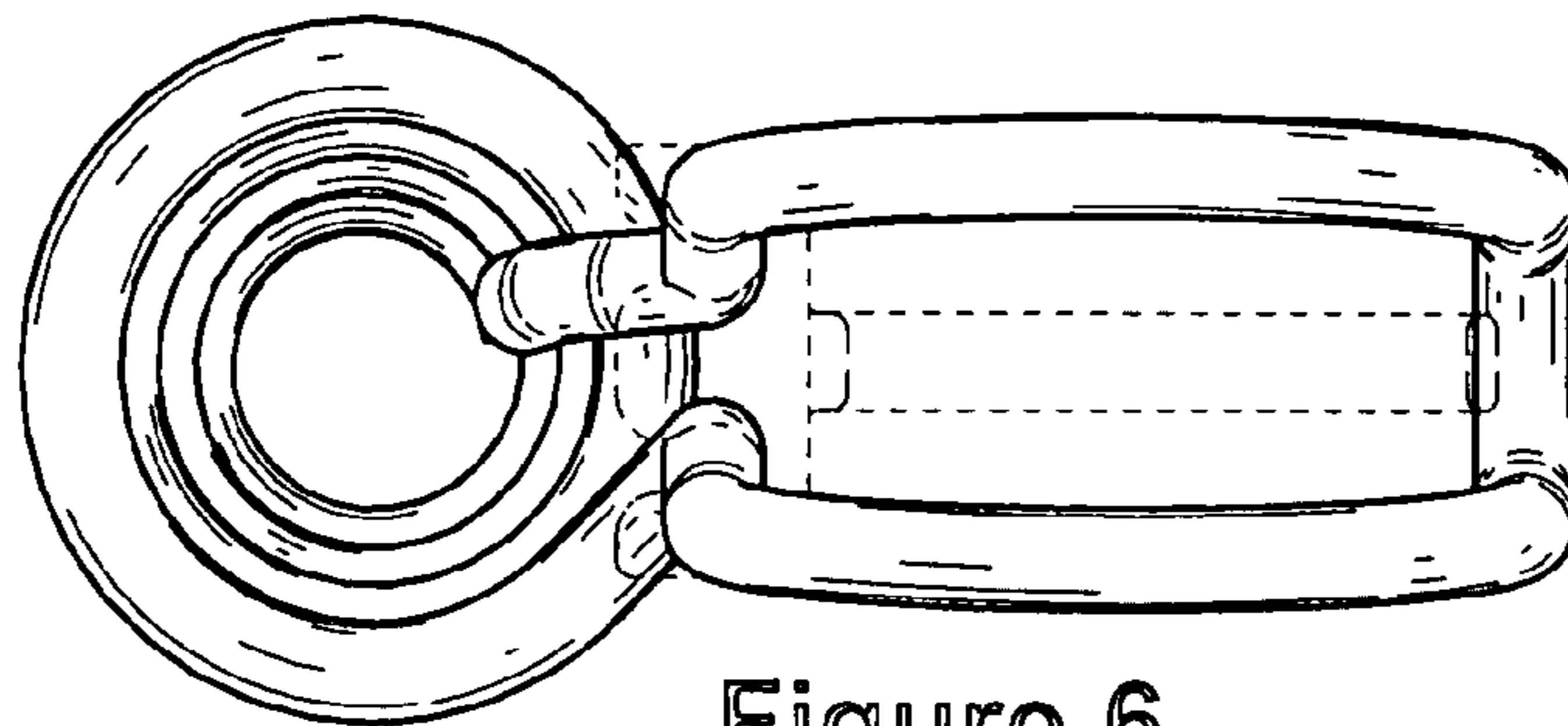


Figure 6

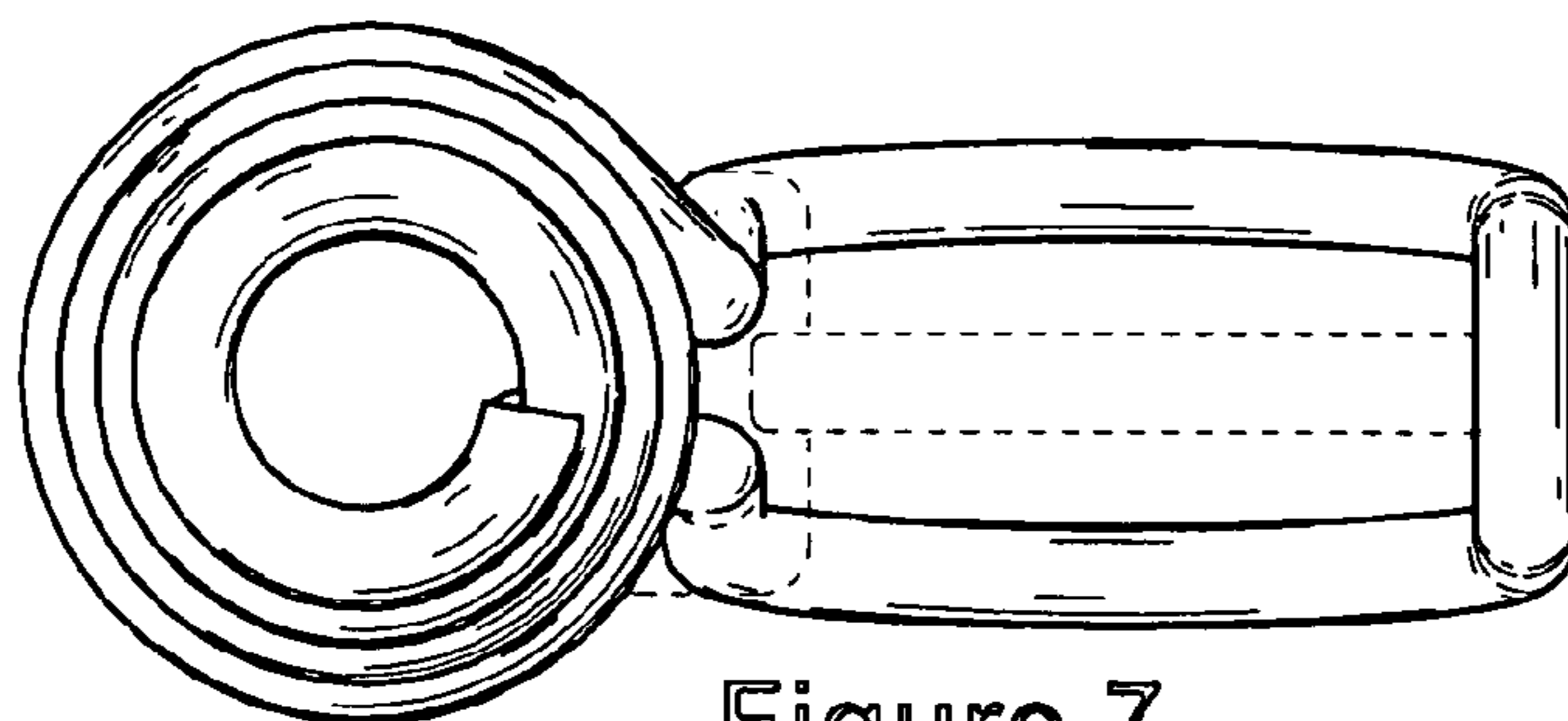


Figure 7

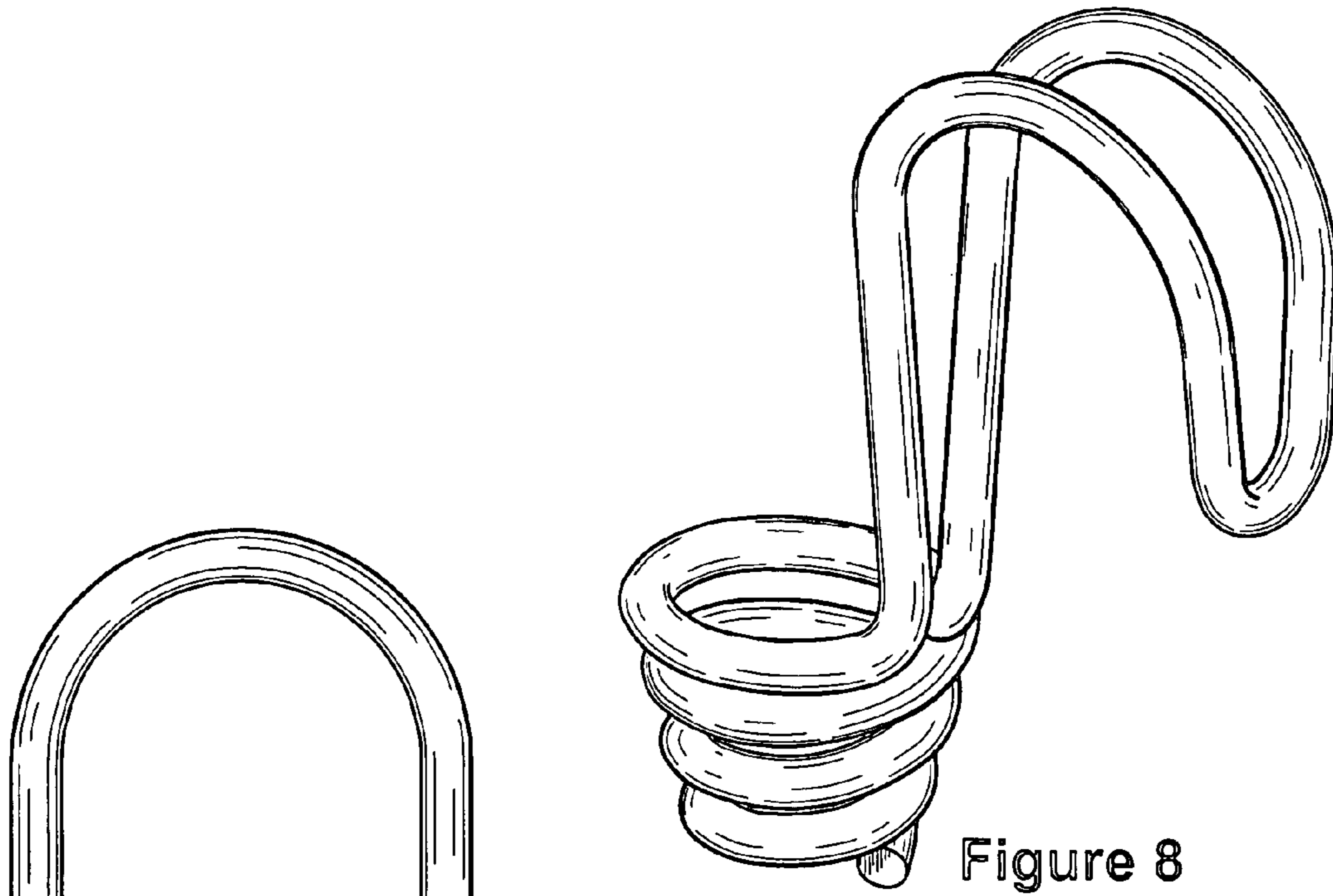


Figure 8

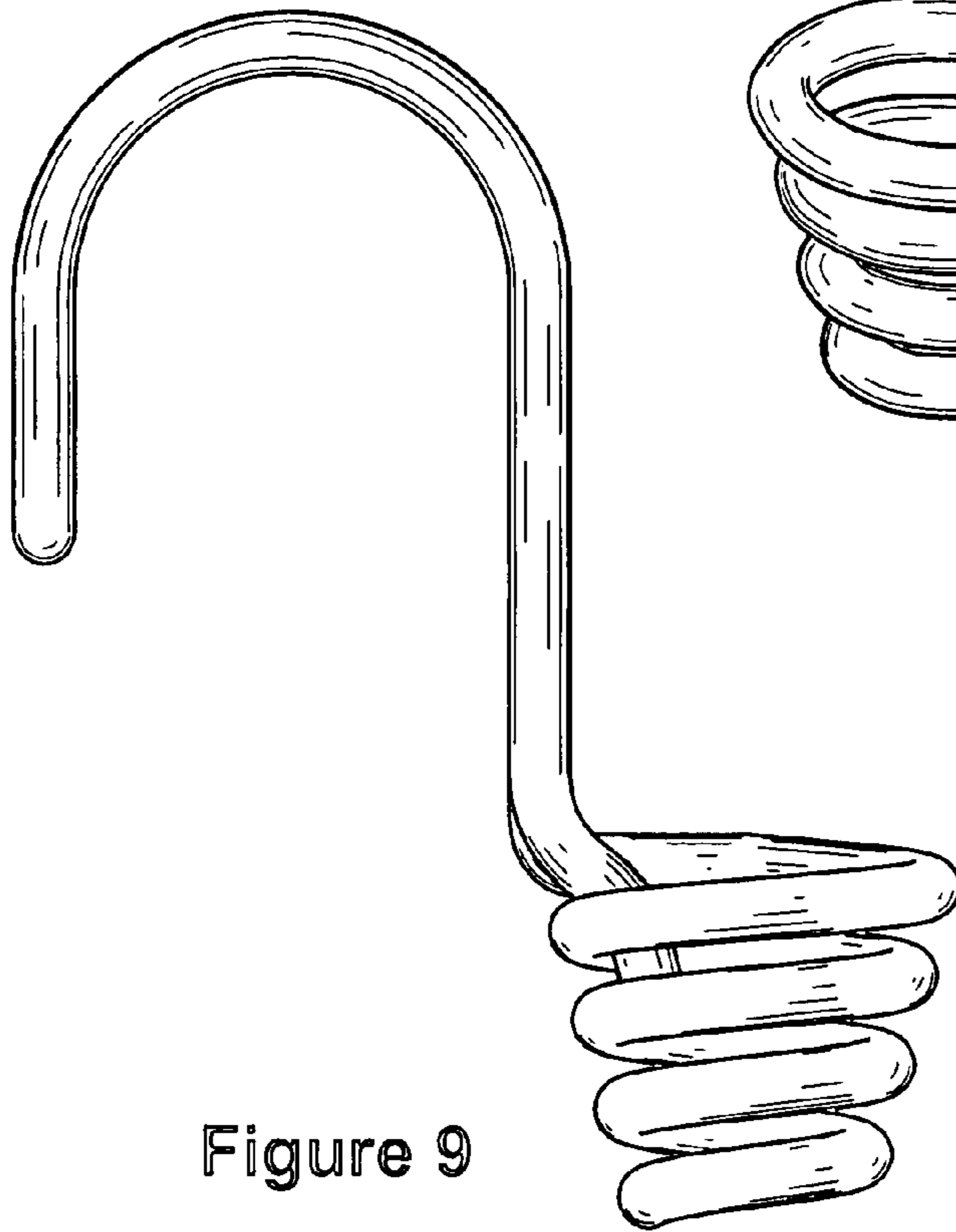


Figure 9

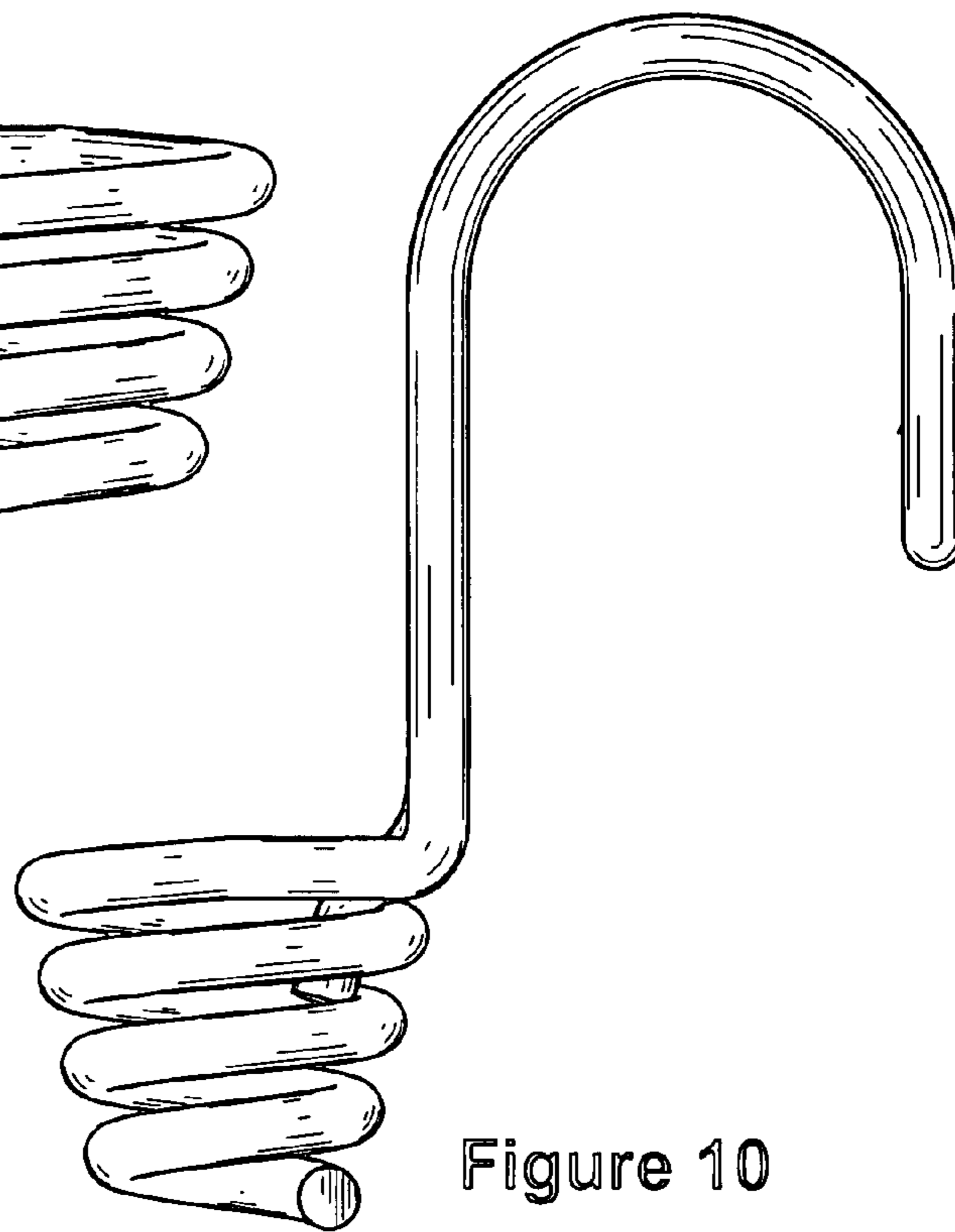


Figure 10

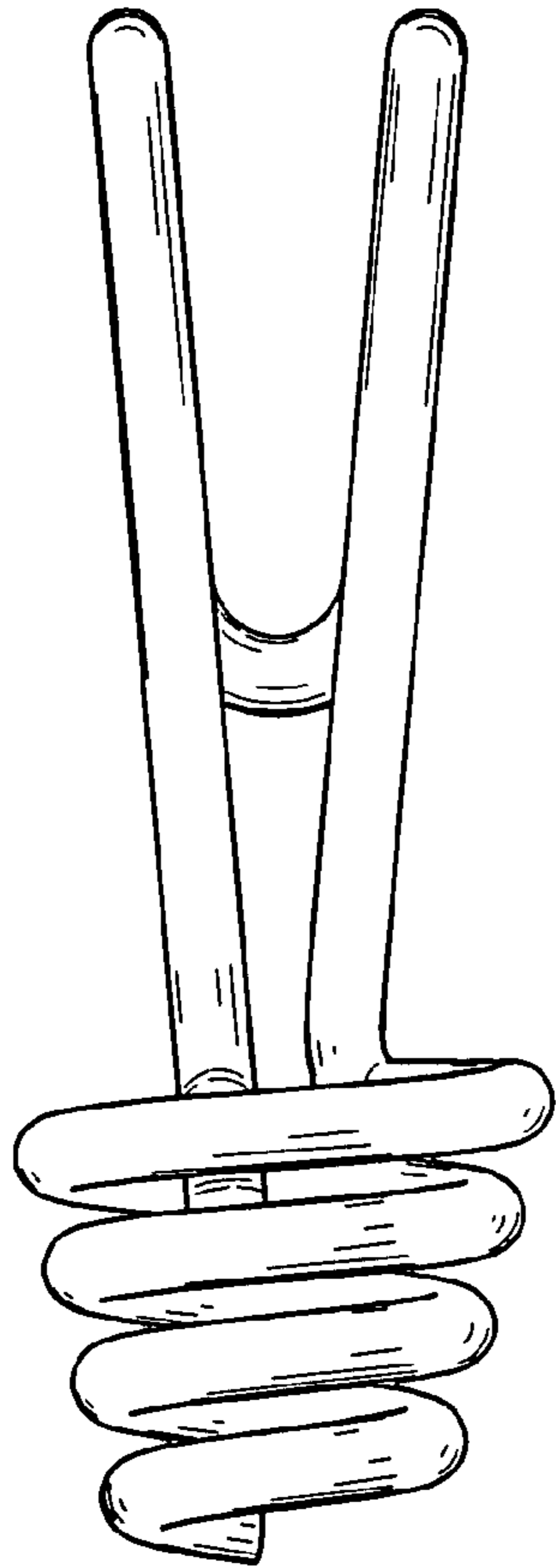


Figure 11

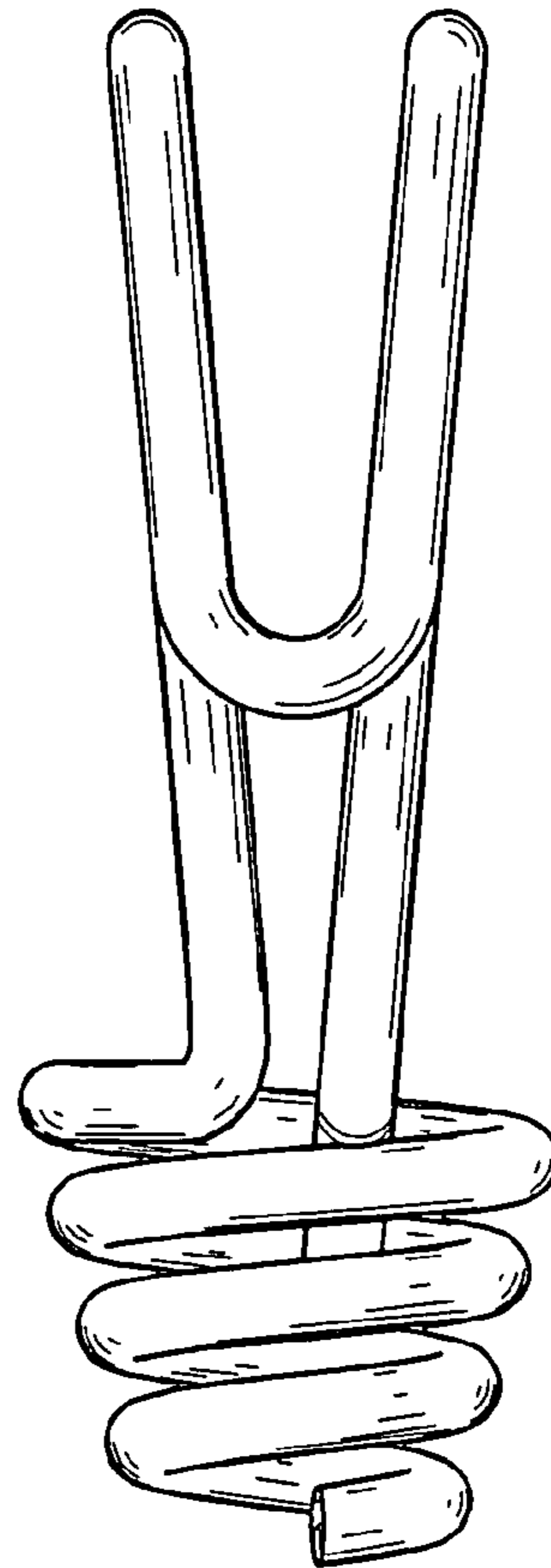


Figure 12

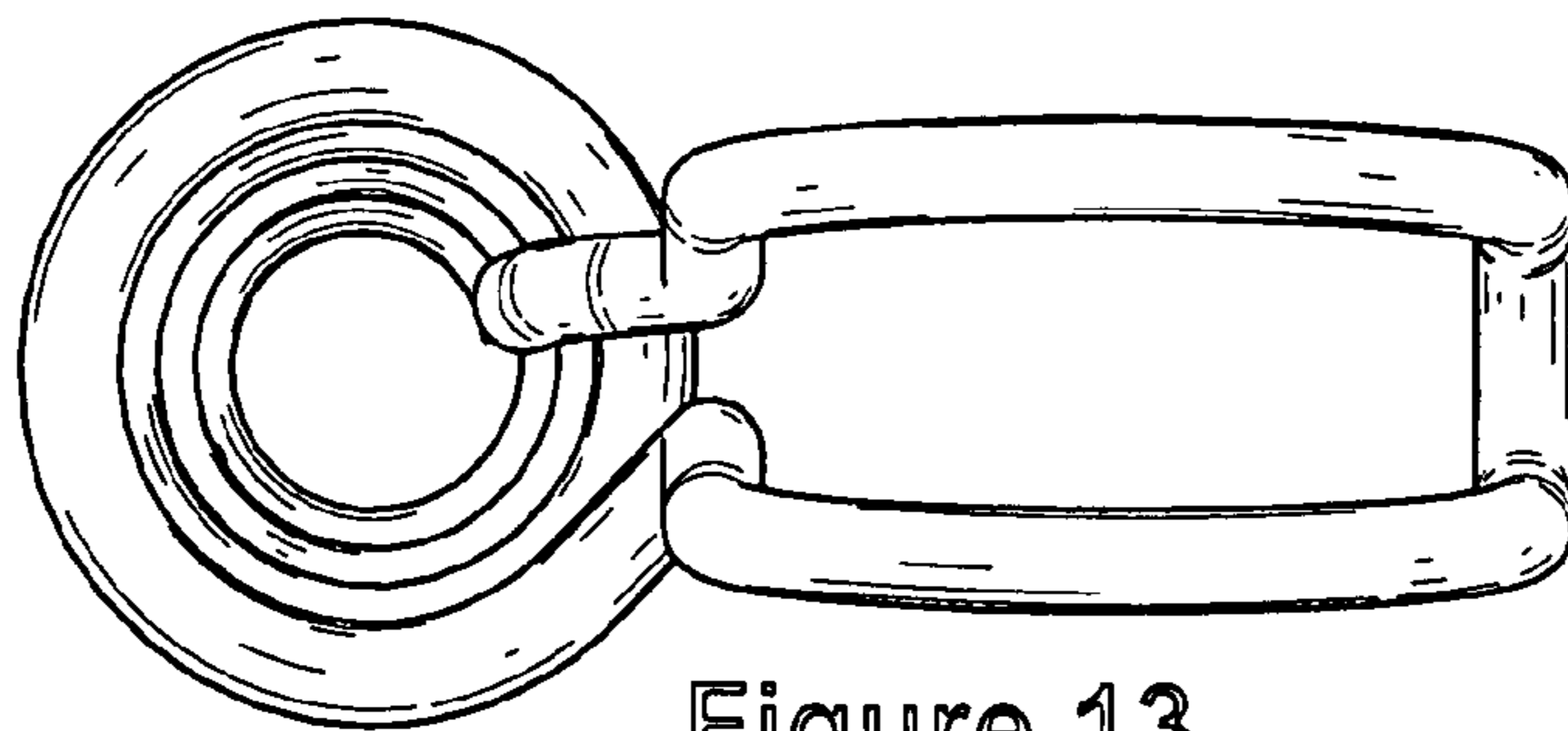


Figure 13

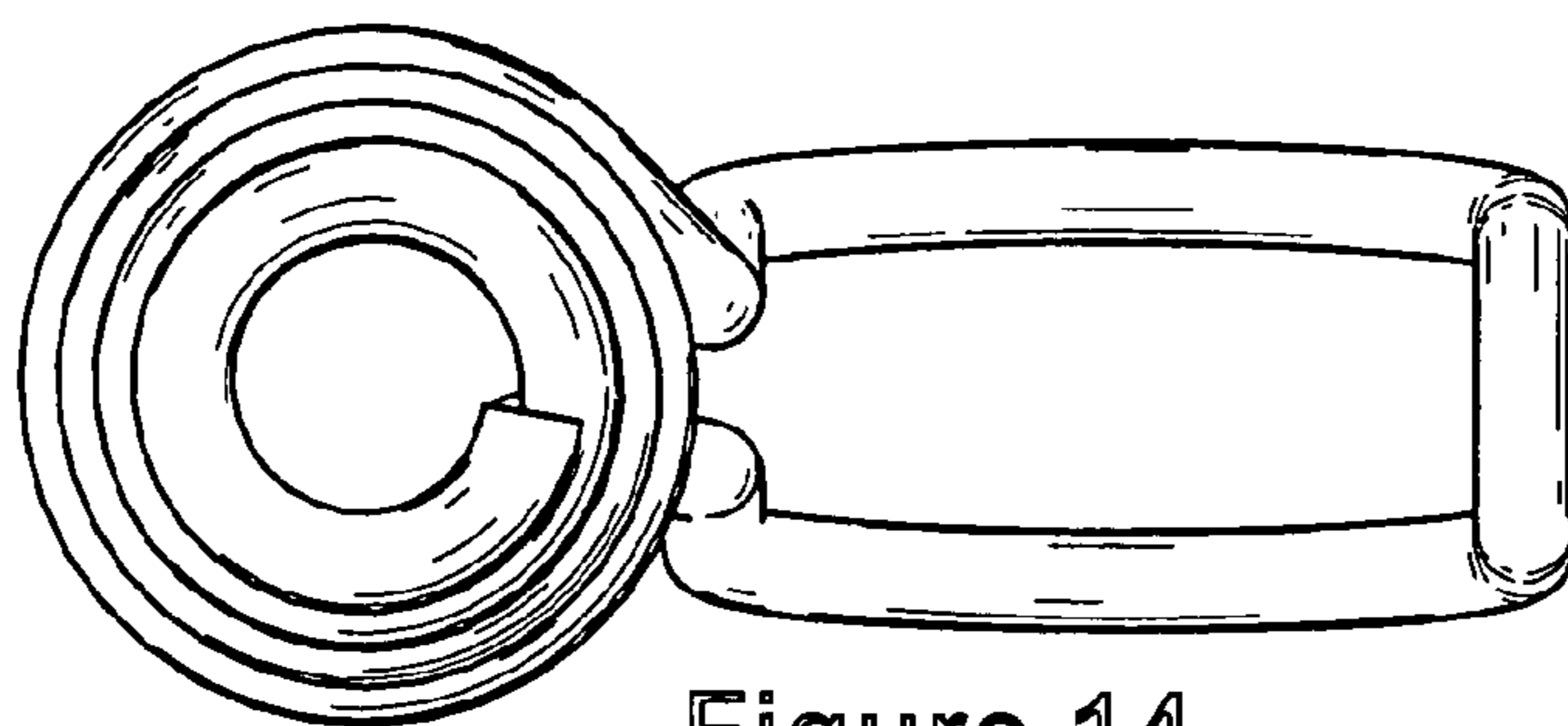


Figure 14