



US00D568144S

(12) **United States Design Patent**
Wohlford et al.

(10) **Patent No.:** **US D568,144 S**
(45) **Date of Patent:** **** May 6, 2008**

(54) **MOUNTING DEVICE FOR ARTICLE**
(75) Inventors: **Jim Wohlford**, Edina, MN (US);
Dominic Grey, Blaine, MN (US)
(73) Assignee: **CSAV, Inc.**, Savage, MN (US)
(**) Term: **14 Years**
(21) Appl. No.: **29/265,244**
(22) Filed: **Aug. 28, 2006**

Primary Examiner—Holly H. Baynham
(74) *Attorney, Agent, or Firm*—Patterson, Thuente, Skaar & Christensen, PA

(57) **CLAIM**

We claim the ornamental design for mounting device for article, as shown.

(51) **LOC (8) Cl.** **08-05**
(52) **U.S. Cl.** **D8/363; D8/354; D14/451**
(58) **Field of Classification Search** **D8/363,**
D8/354; D14/451-452; 248/274.1, 278.1,
248/284.1
See application file for complete search history.

DESCRIPTION

FIG. 1 is a front elevation view of a mounting device for article according to an embodiment of the invention;
FIG. 2 is a top plan view of the mounting device for article depicted in FIG. 1;
FIG. 3 is a rear elevation view of the mounting device for article depicted in FIG. 1;
FIG. 4 is a bottom plan view of the mounting device for article depicted in FIG. 1;
FIG. 5 is a side elevation view of the mounting device for article depicted in FIG. 1; and,
FIG. 6 is an elevation view of the mounting device for article of the side opposite that depicted in FIG. 5.

The broken-line disclosure in the views is for illustrative purposes only and forms no part of the claimed design.

(56) **References Cited**

U.S. PATENT DOCUMENTS

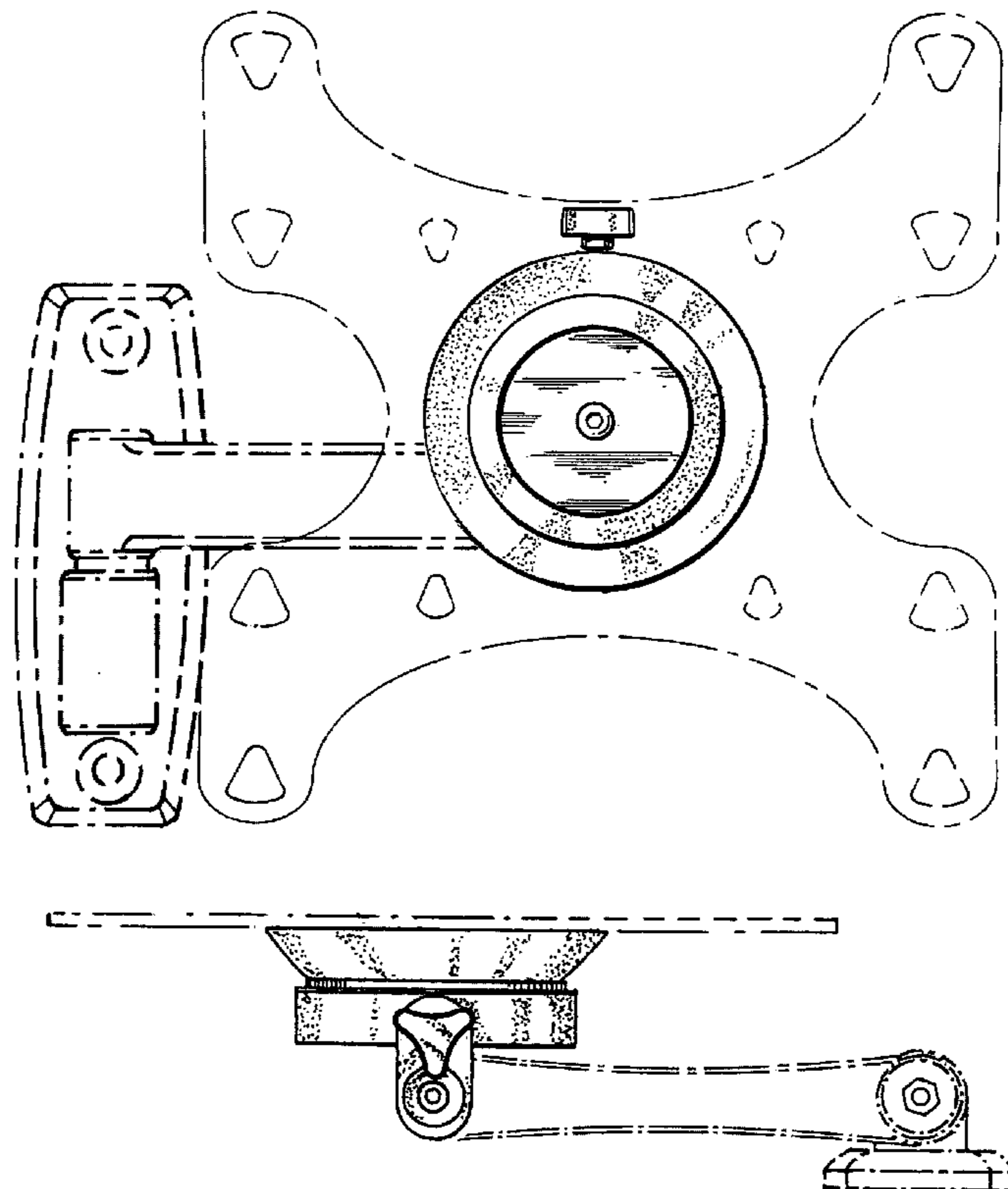
2,896,901	A *	7/1959	Levy et al.	248/278.1
6,079,682	A *	6/2000	Olkola	248/278.1
D439,140	S *	3/2001	Jokinen et al.	D8/363
6,202,968	B1 *	3/2001	Lehr	248/278.1
6,874,743	B2	4/2005	Watanabe et al.		
7,028,961	B1	4/2006	Dittmer et al.		

OTHER PUBLICATIONS

Chief, *Centris™ Mounting System Ordering & Cross-Reference Information, Chief Full-Line Product Guide 2004*, Jan. 2004, pp. 51-53.

* cited by examiner

1 Claim, 3 Drawing Sheets



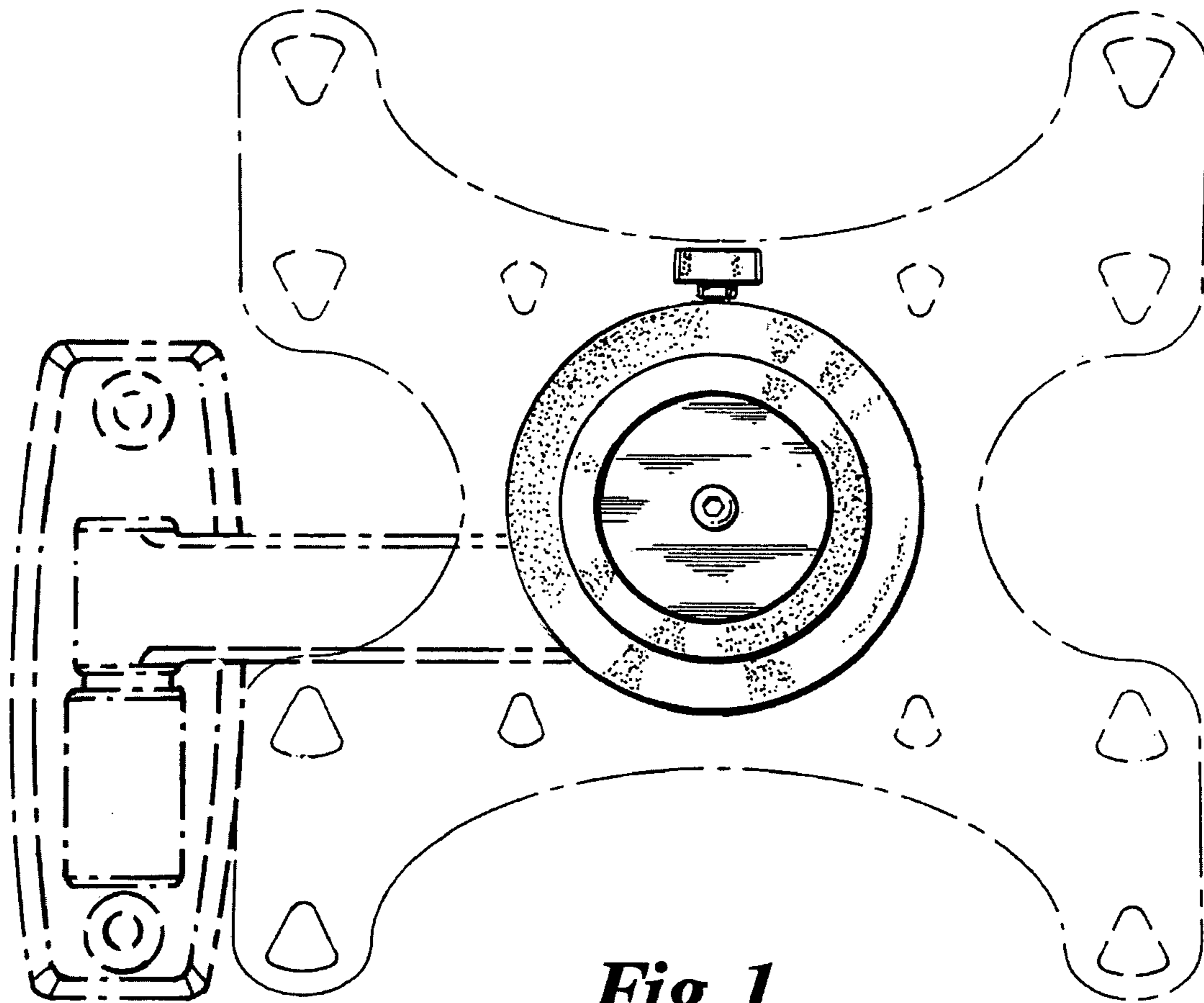


Fig. 1.

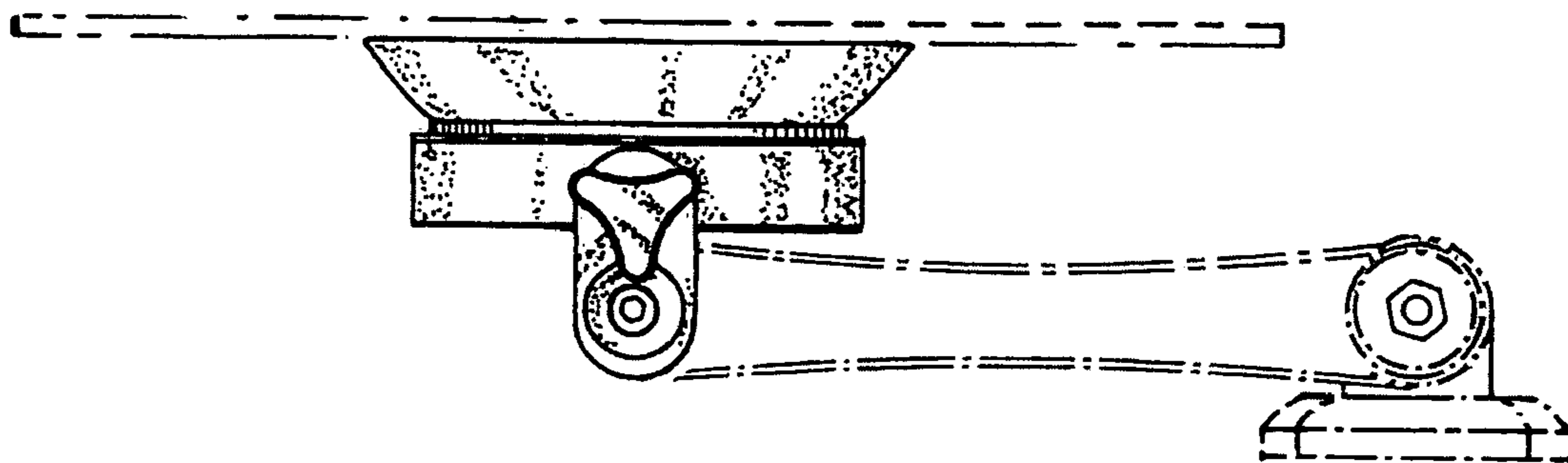
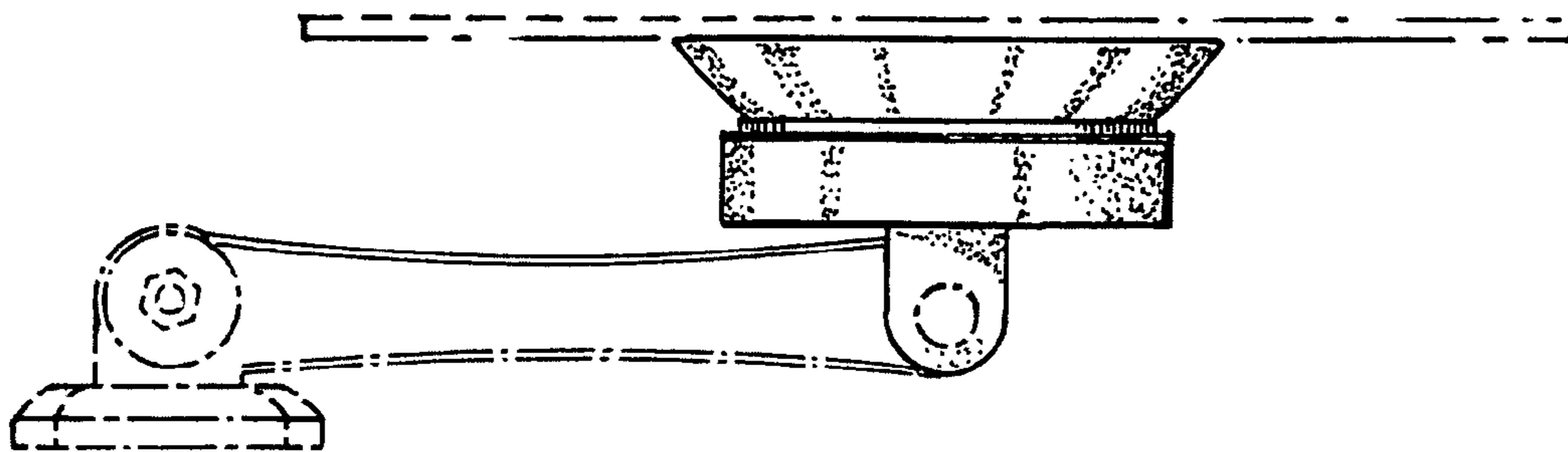
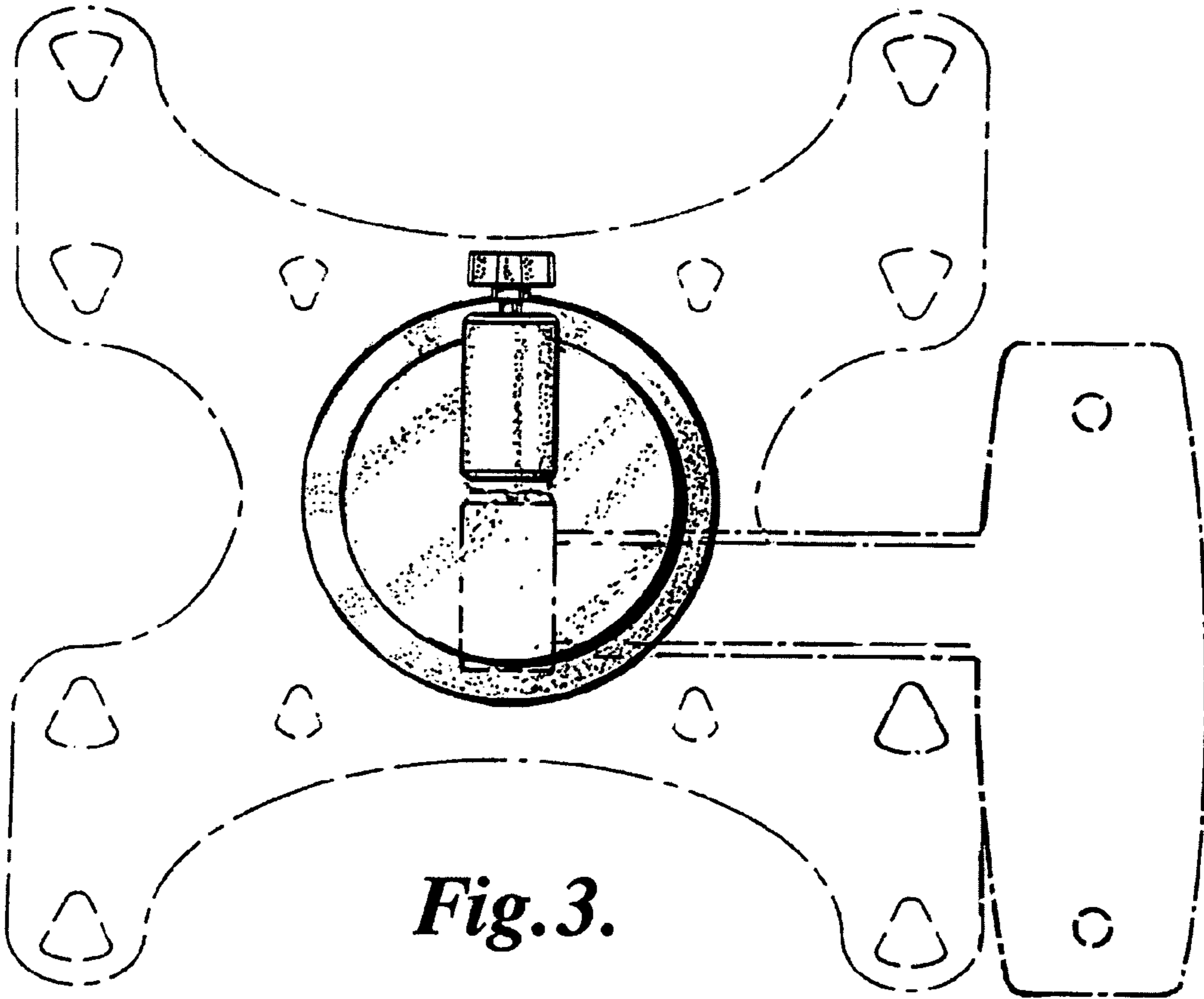


Fig. 2.



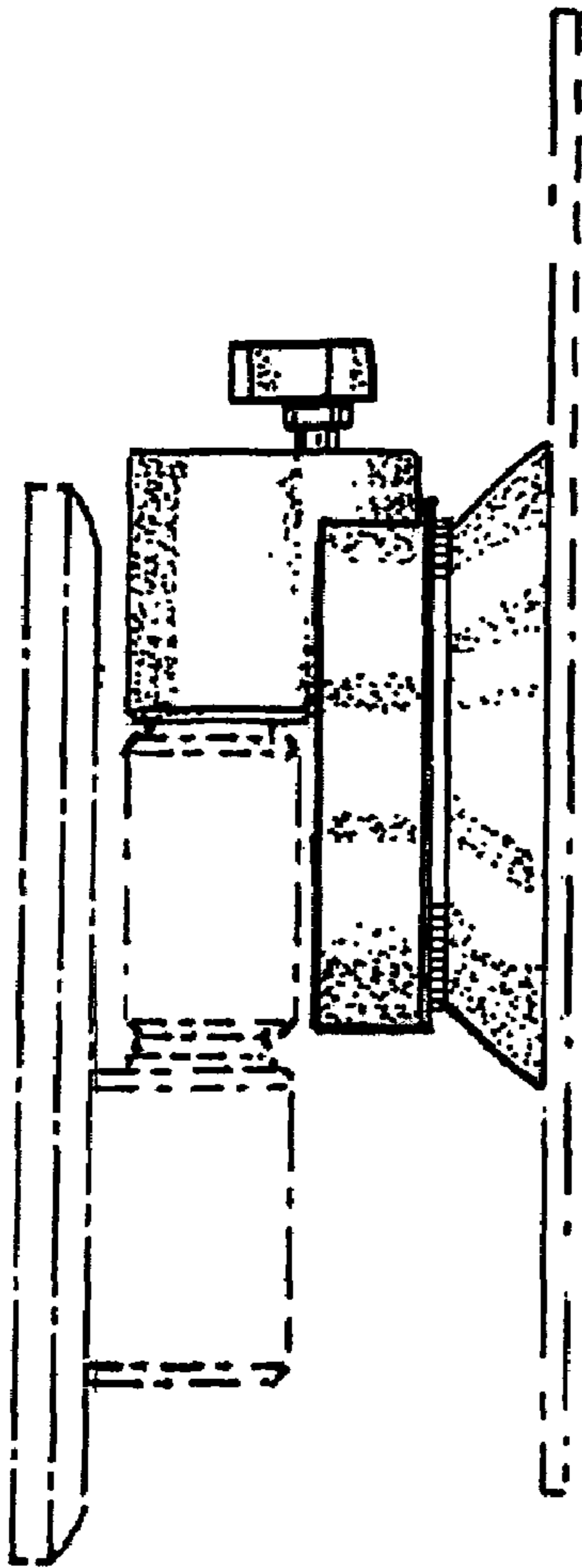


Fig. 5.

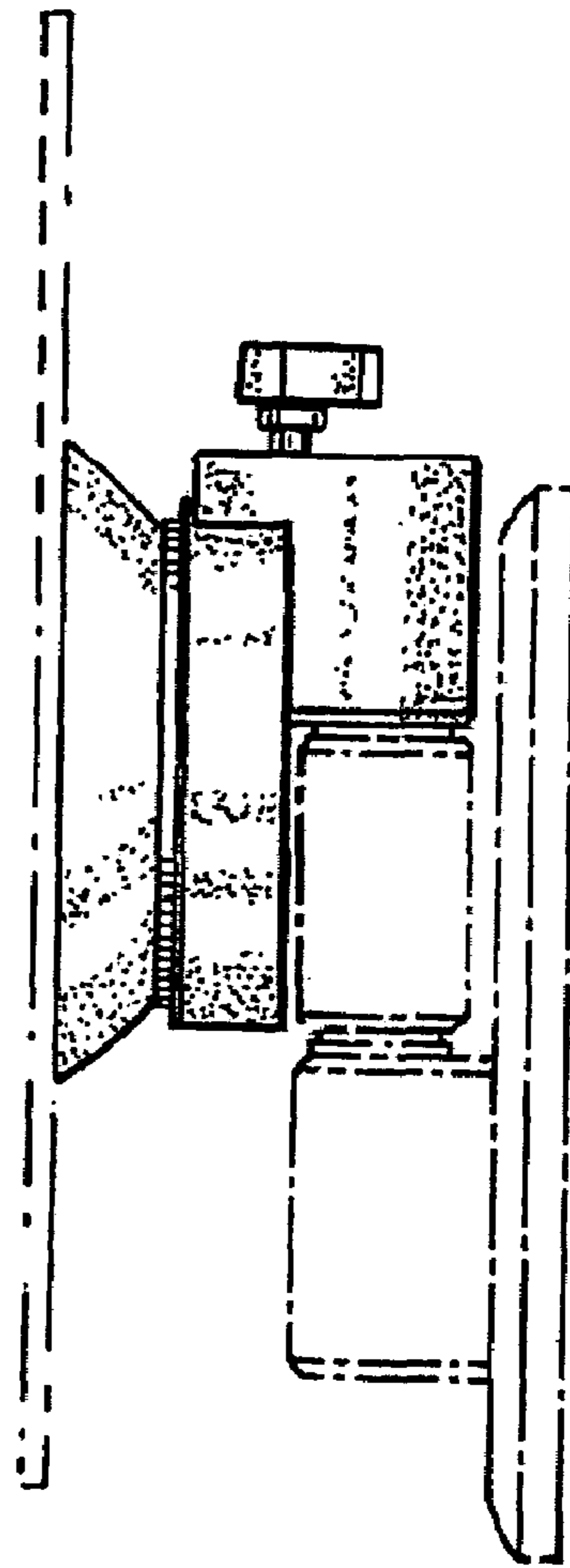


Fig. 6.

UNITED STATES PATENT AND TRADEMARK OFFICE
CERTIFICATE OF CORRECTION

PATENT NO. : D568,144 S
APPLICATION NO. : 29/265244
DATED : May 6, 2008
INVENTOR(S) : Wohlford et al.

Page 1 of 1

It is certified that error appears in the above-identified patent and that said Letters Patent is hereby corrected as shown below:

Title Page, Item (75) Inventor is corrected to read:

-- **Jim Wohlford, Edina, MN (US);**
Dominic Grey, Blaine, MN (US);
Nick Stanek, Roseville, MN (US) --.

Signed and Sealed this
Sixth Day of January, 2015



Michelle K. Lee
Deputy Director of the United States Patent and Trademark Office