

US00D568143S

(12) **United States Design Patent**
Sclater

(10) **Patent No.:** **US D568,143 S**

(45) **Date of Patent:** **** May 6, 2008**

(54) **LATCH COVER**

(75) **Inventor:** **Peter G. Sclater**, Queensland (AU)

(73) **Assignee:** **ASSA Abloy Australia Pty Limited**,
Oakleigh, Victoria (AU)

(**) **Term:** **14 Years**

(21) **Appl. No.:** **29/276,721**

(22) **Filed:** **Feb. 2, 2007**

(51) **LOC (8) Cl.** **08-07**

(52) **U.S. Cl.** **D8/331**

(58) **Field of Classification Search** D21/330-348;
292/108, 109, 113-114, 246, 247, 66, 258,
292/80, 95, 102, 121, 217, 226, 228
See application file for complete search history.

(56) **References Cited**

U.S. PATENT DOCUMENTS

3,490,805	A *	1/1970	Mastrovito et al.	292/258
4,181,333	A *	1/1980	Stelma	292/66
5,257,839	A *	11/1993	Nielsen et al.	292/113
D382,462	S *	8/1997	Arthurs et al.	D8/343
6,032,988	A *	3/2000	Klein	292/247

D425,395	S *	5/2000	Ji	D8/331
D480,621	S *	10/2003	Ling	D8/331
D487,560	S *	3/2004	Magnusson	D8/331
D494,447	S *	8/2004	Linares	D8/330
D519,824	S *	5/2006	Collings et al.	D8/331
D541,628	S *	5/2007	Arthurs et al.	D8/331

* cited by examiner

Primary Examiner—Mitchell Siegel

(74) *Attorney, Agent, or Firm*—Taylor & Aust, P.C.

(57) **CLAIM**

The ornamental design for a latch cover, as shown and described.

DESCRIPTION

FIG. 1 is a front perspective view of a latch cover showing my new design;

FIG. 2 is a rear perspective view thereof;

FIG. 3 is a top view thereof;

FIG. 4 is a side view thereof, the opposite side view being a mirror image; and,

FIG. 5 is a rear view thereof.

1 Claim, 1 Drawing Sheet

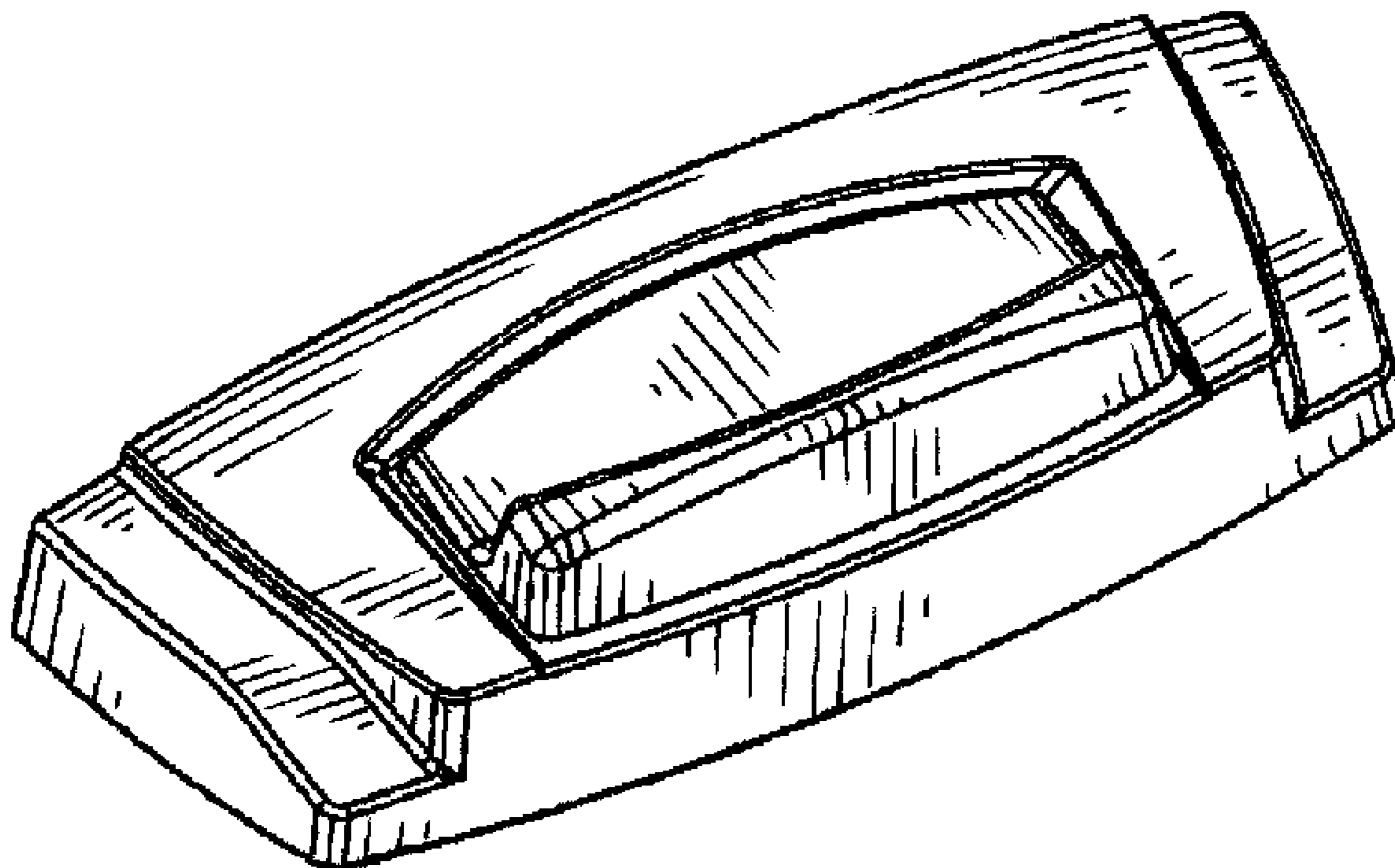


FIG 1

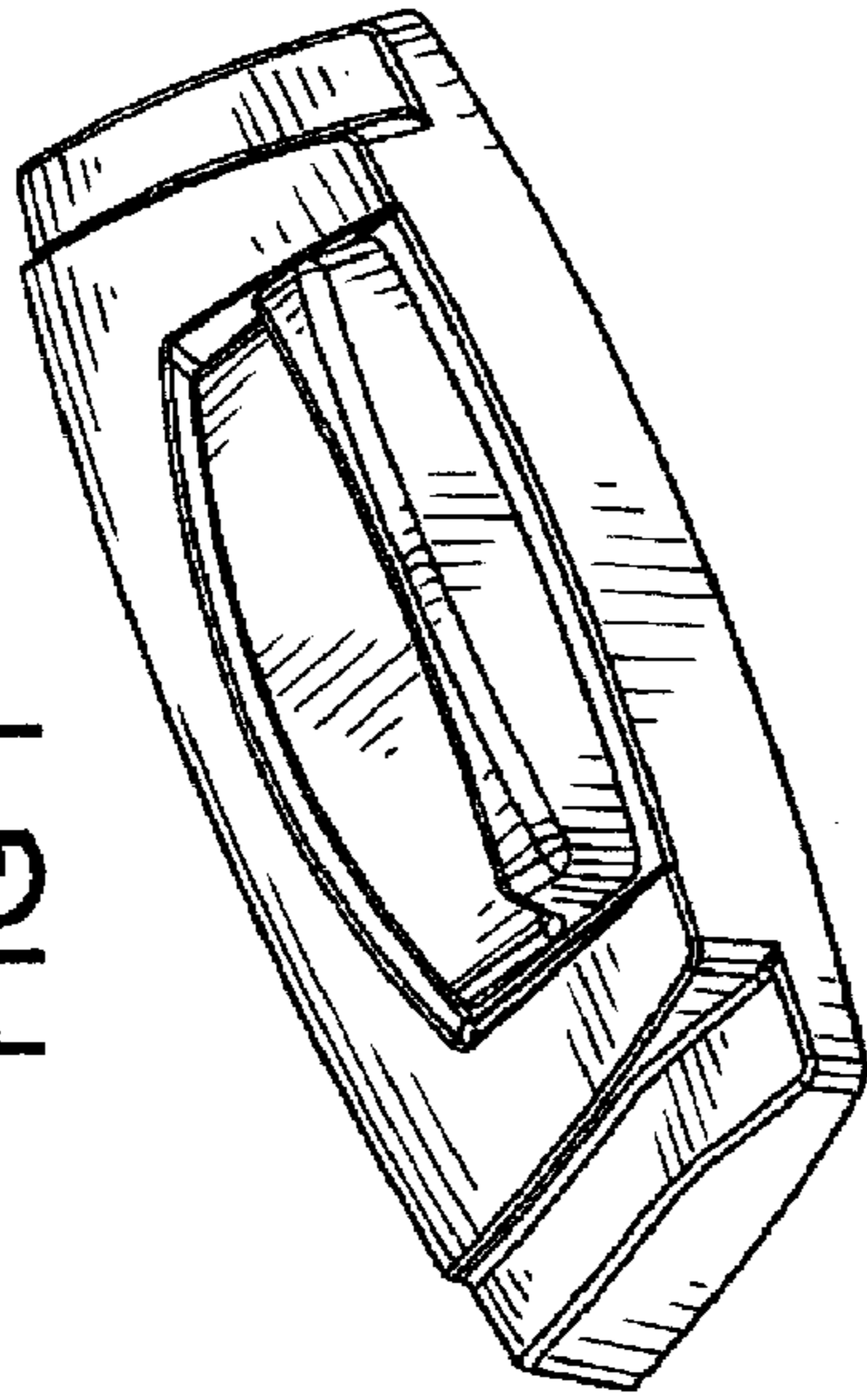


FIG 2

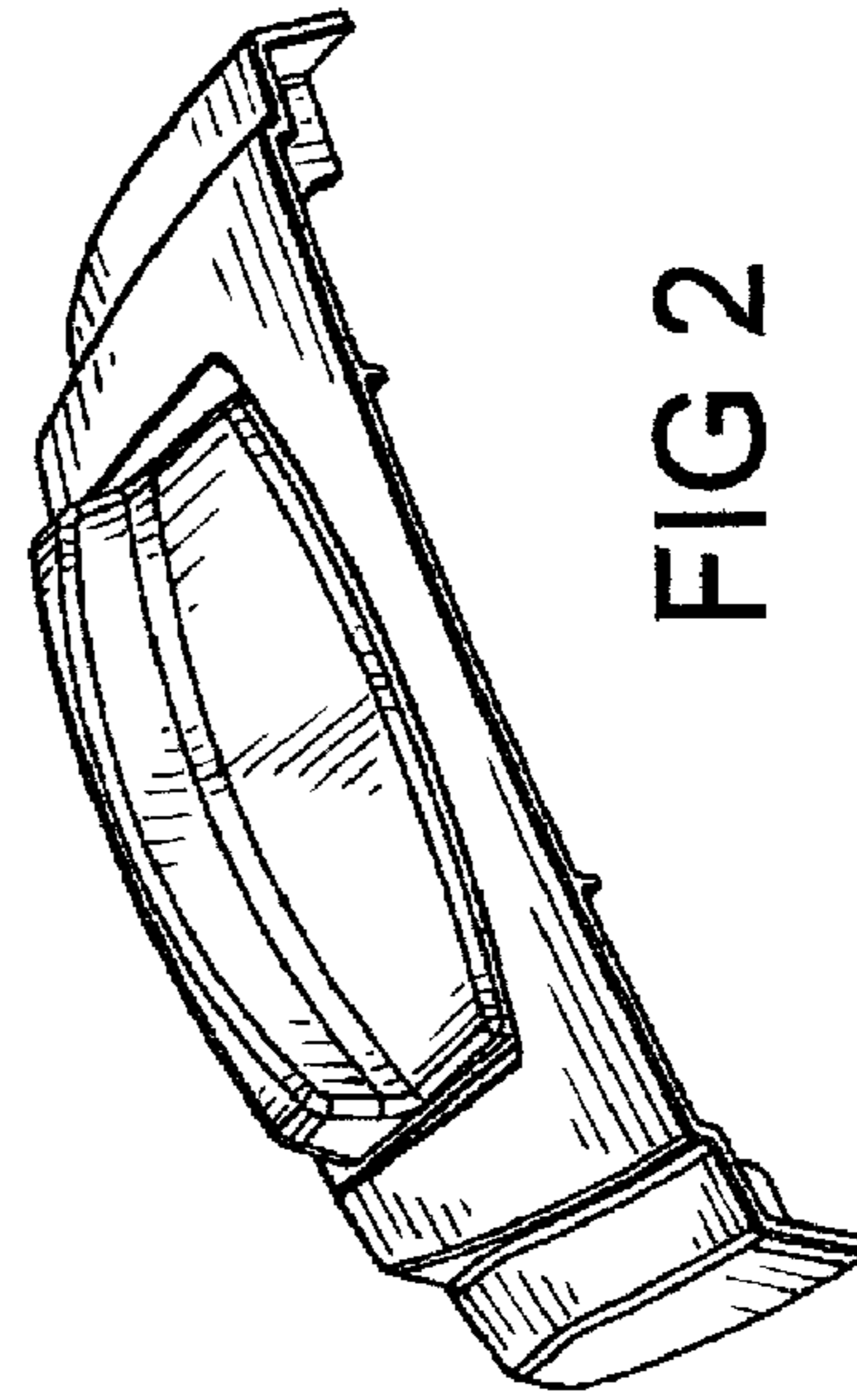


FIG 4

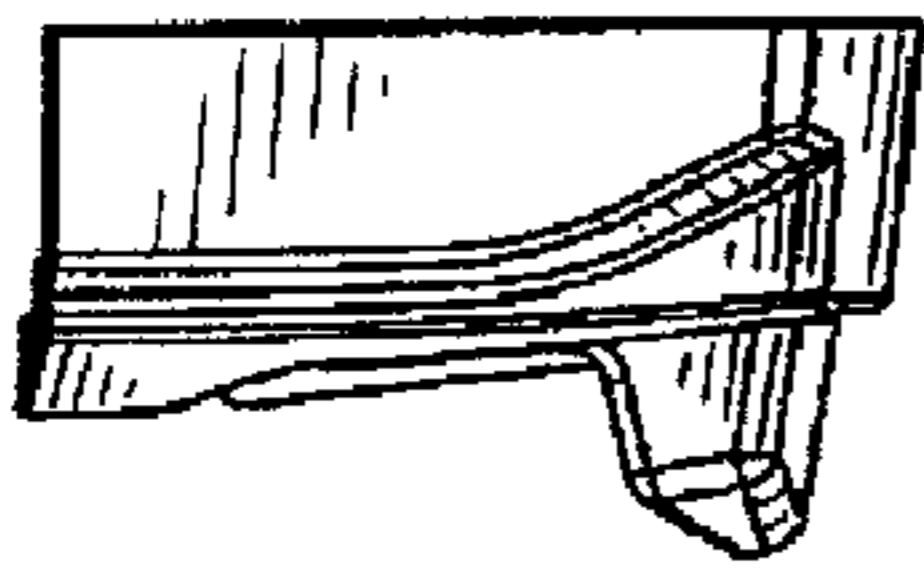


FIG 3

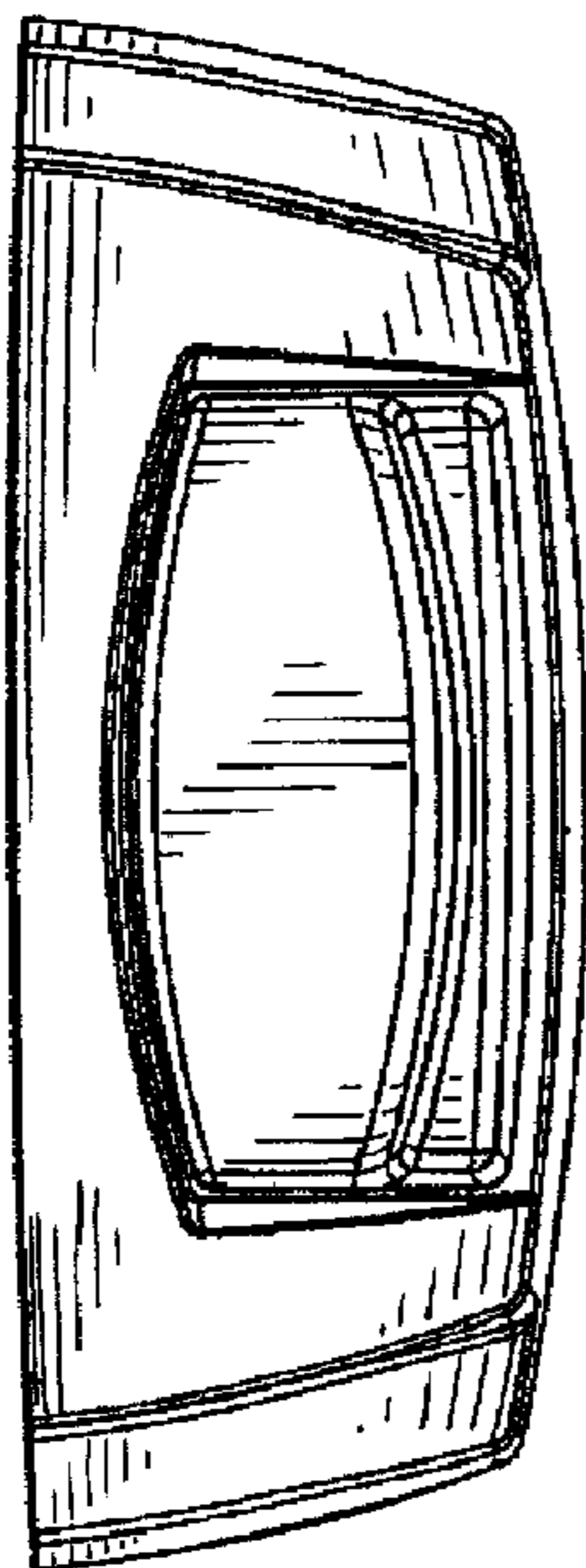


FIG 5

