

US00D568135S

(12) **United States Design Patent**
Pribyl et al.

(10) **Patent No.:** **US D568,135 S**

(45) **Date of Patent:** **** May 6, 2008**

(54) **TABLE CLAMP FOR ELECTRONIC DISPLAY MOUNT**

(75) Inventors: **Keith Pribyl**, Roseville, MN (US); **Jim Wohlford**, Edina, MN (US); **Dominic Grey**, Blaine, MN (US)

(73) Assignee: **CSAV, Inc.**, Savage, MN (US)

(**) Term: **14 Years**

(21) Appl. No.: **29/263,676**

(22) Filed: **Jul. 27, 2006**

Related U.S. Application Data

(63) Continuation-in-part of application No. 29/237,995, filed on Sep. 9, 2005, now Pat. No. Des. 549,063.

(51) **LOC (8) Cl.** **08-05**

(52) **U.S. Cl.** **D8/73**

(58) **Field of Classification Search** D8/71-74, D8/394, 353-355; 248/230.9, 231.21, 230.6, 248/228.6, 229.25, 317, 323, 341, 326, 324, 248/921, 281.1, 917, 363, 280.11; 269/43
See application file for complete search history.

(56) **References Cited**

U.S. PATENT DOCUMENTS

2,896,893	A *	7/1959	Oliver	248/228.6
4,046,362	A *	9/1977	Spillers	269/43
4,836,486	A	6/1989	Vossoughi et al.		
4,953,822	A	9/1990	Sharber et al.		
5,092,522	A	3/1992	Dykmans		
5,092,552	A *	3/1992	Dayton et al.	248/280.11
D332,562	S *	1/1993	Fremont et al.	D8/73
D340,019	S *	10/1993	Yoder	D8/72
D340,631	S *	10/1993	Hatcher	D8/72
D354,052	S	1/1995	Imai		
D357,468	S	4/1995	Rodd		

D367,143	S *	2/1996	Sauber	D8/71
D367,421	S *	2/1996	Powers	D8/73
D389,334	S *	1/1998	Attridge	D8/394
D392,171	S *	3/1998	Miller	D8/72
5,947,429	A	9/1999	Sweere et al.		
D443,493	S *	6/2001	Skeem	D8/72
6,857,610	B1	2/2005	Conner et al.		
6,962,314	B2 *	11/2005	Hsu	248/230.6
6,994,722	B2	2/2006	DiCarlo		
D541,138	S *	4/2007	Whalen et al.	D8/354

* cited by examiner

Primary Examiner—Louis S Zarfaz

Assistant Examiner—David G Muller

(74) *Attorney, Agent, or Firm*—Patterson, Thuente, Skaar & Christensen, PA

(57) **CLAIM**

We claim the ornamental design for table clamp for electronic display mount, as shown.

DESCRIPTION

FIG. 1 is a front perspective view of a table clamp for electronic display mount according to an embodiment of the invention;

FIG. 2 is a side elevation view of a first side thereof;

FIG. 3 is a side elevation view of a second side thereof;

FIG. 4 is a front elevation view thereof;

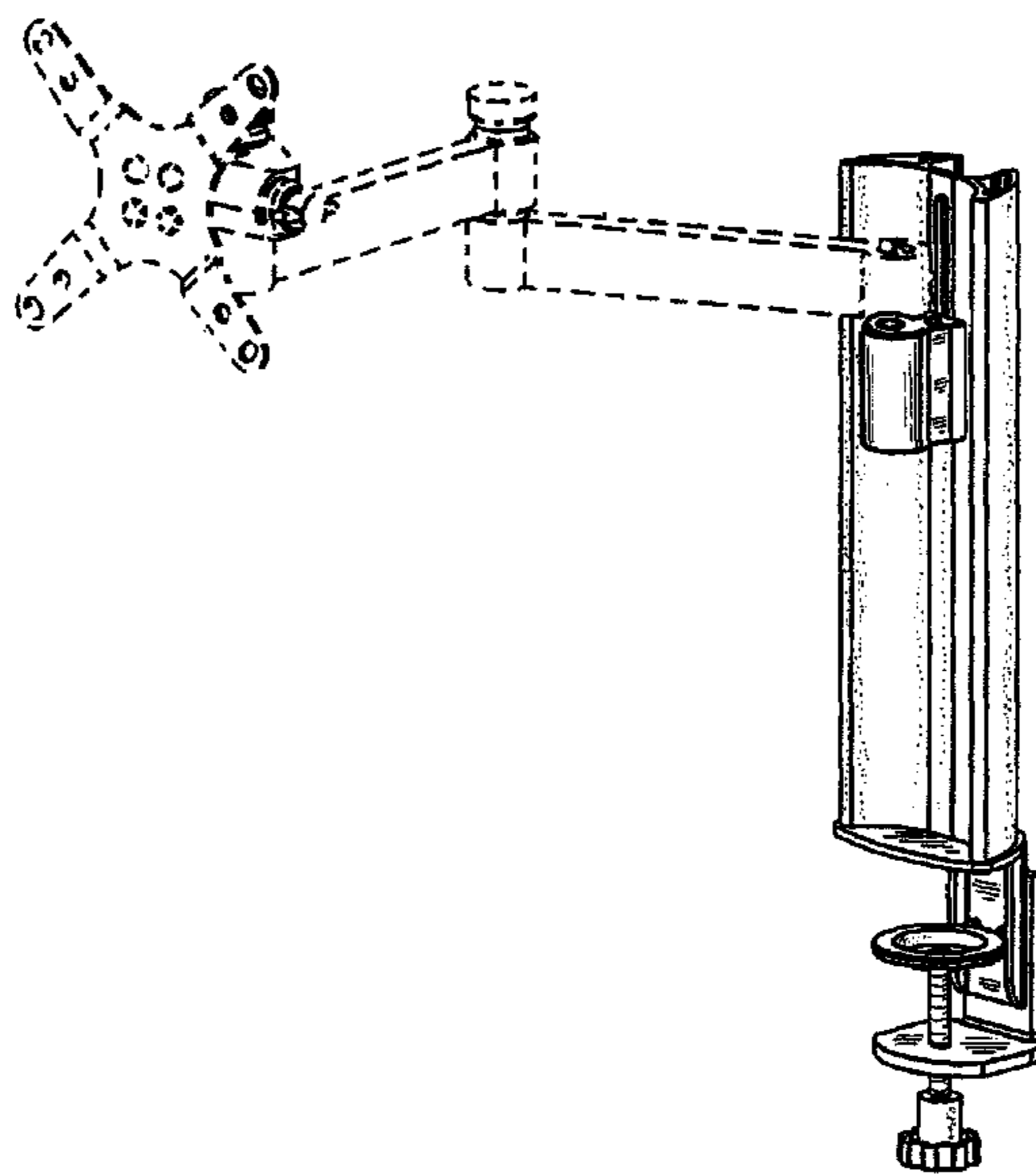
FIG. 5 is a rear elevation view thereof;

FIG. 6 is a bottom plan view thereof; and,

FIG. 7 is a top plan view thereof.

The broken line showing of parts of the drawings is included for the purpose of illustrating use and environment and forms no part of the claimed design.

1 Claim, 3 Drawing Sheets



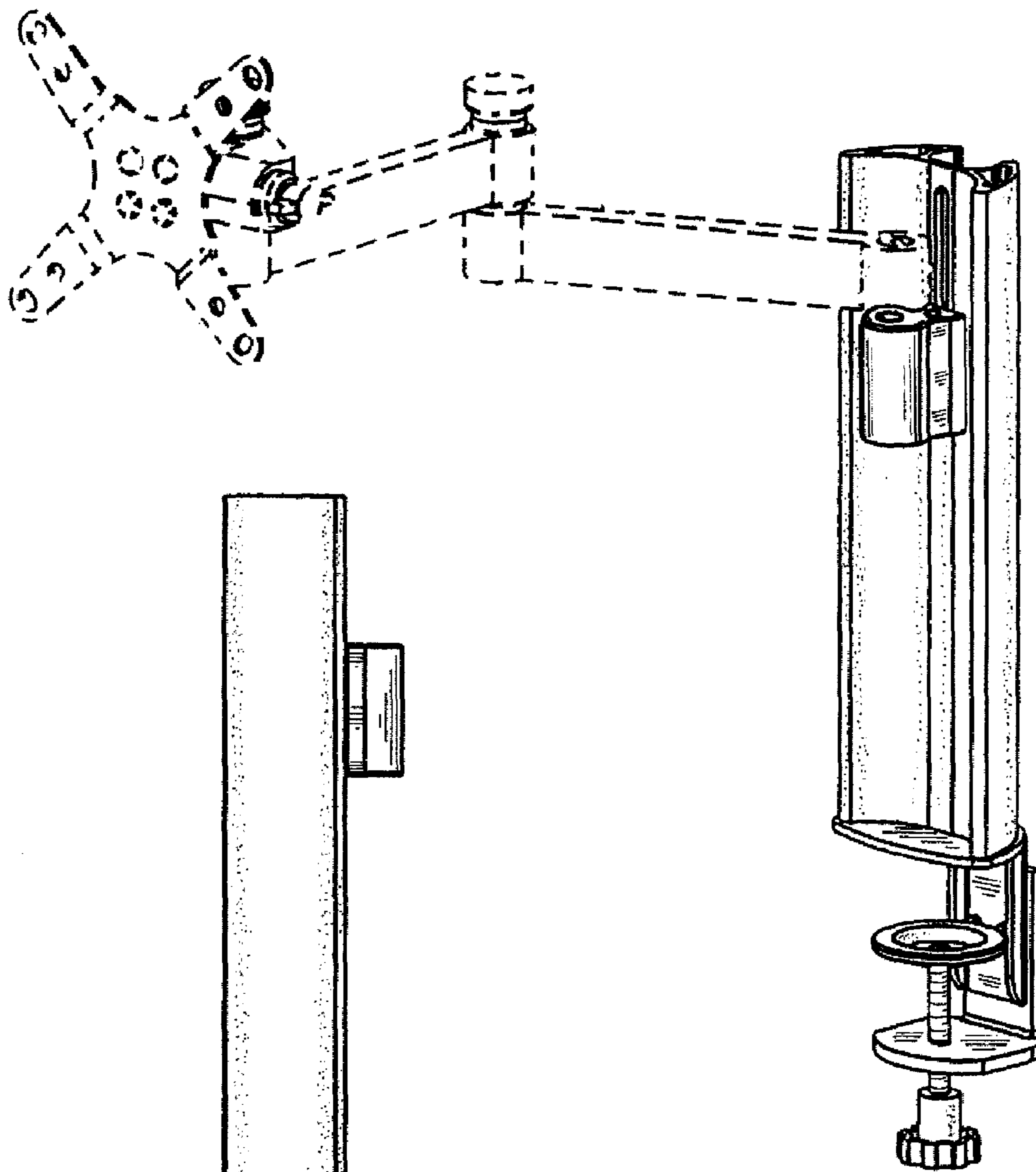


Fig. 1.

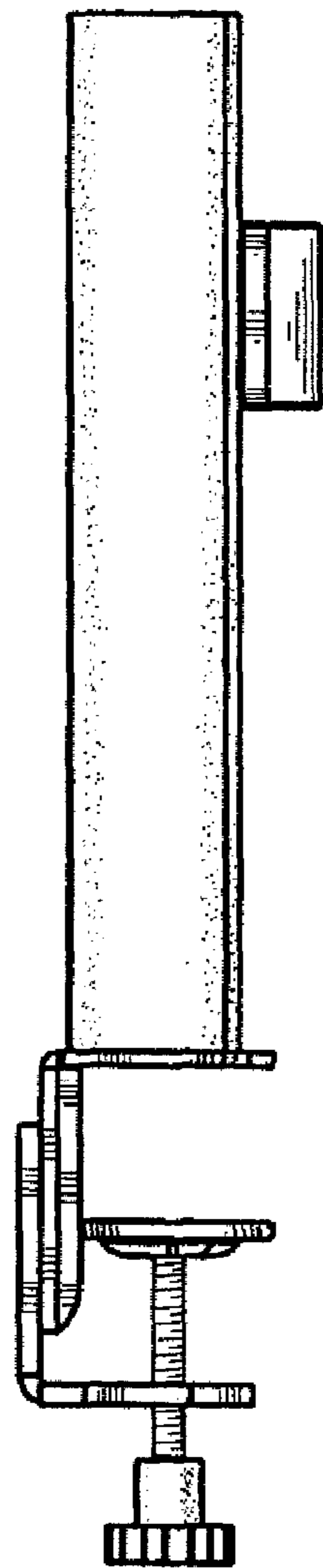


Fig. 2.

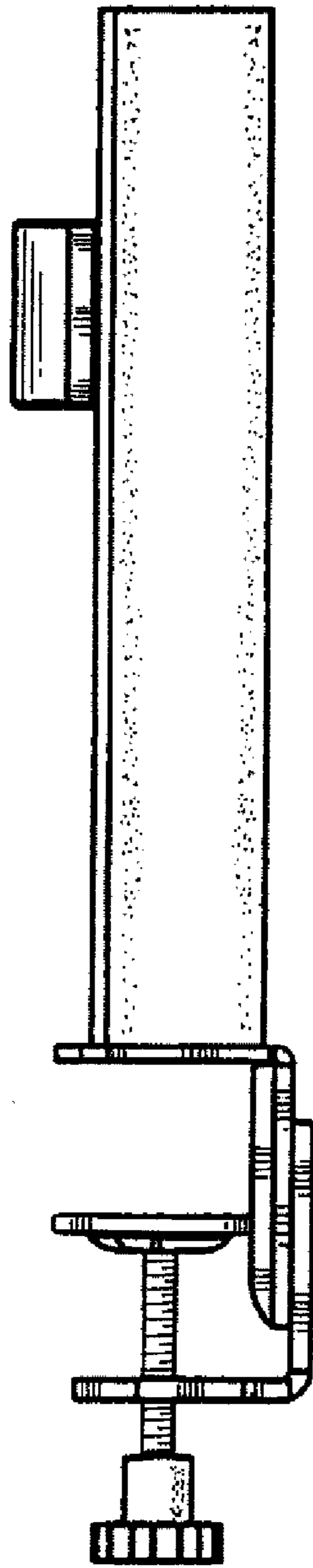


Fig. 3.

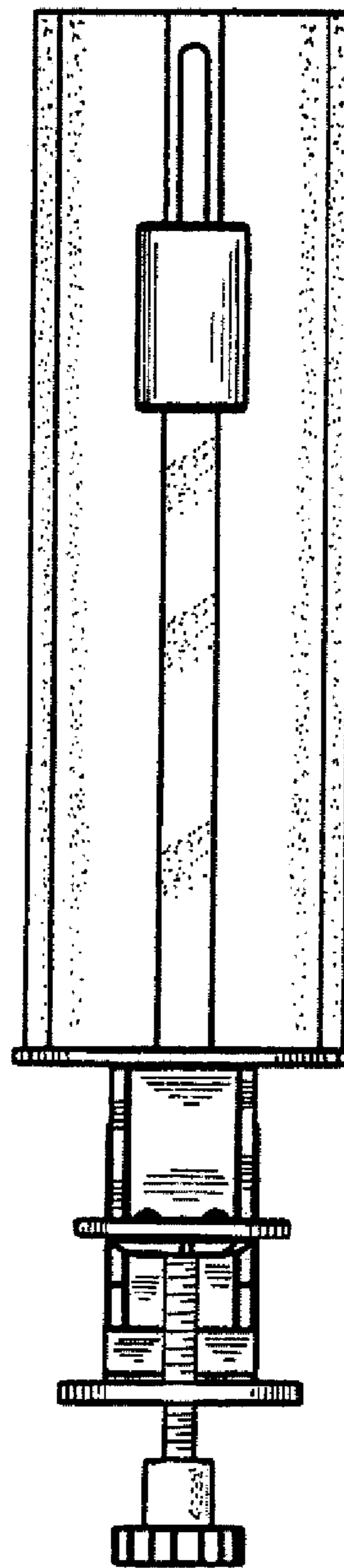


Fig. 4.

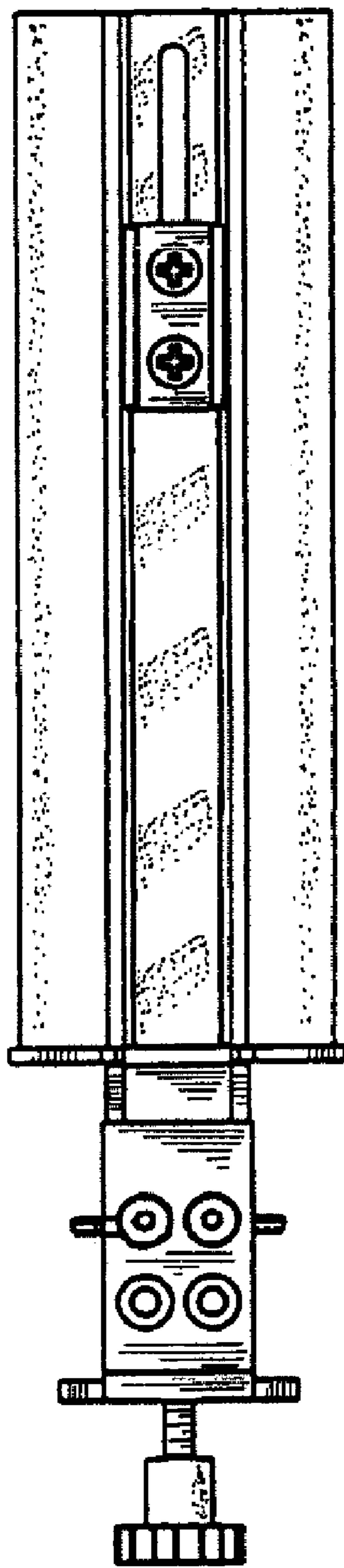


Fig. 5.

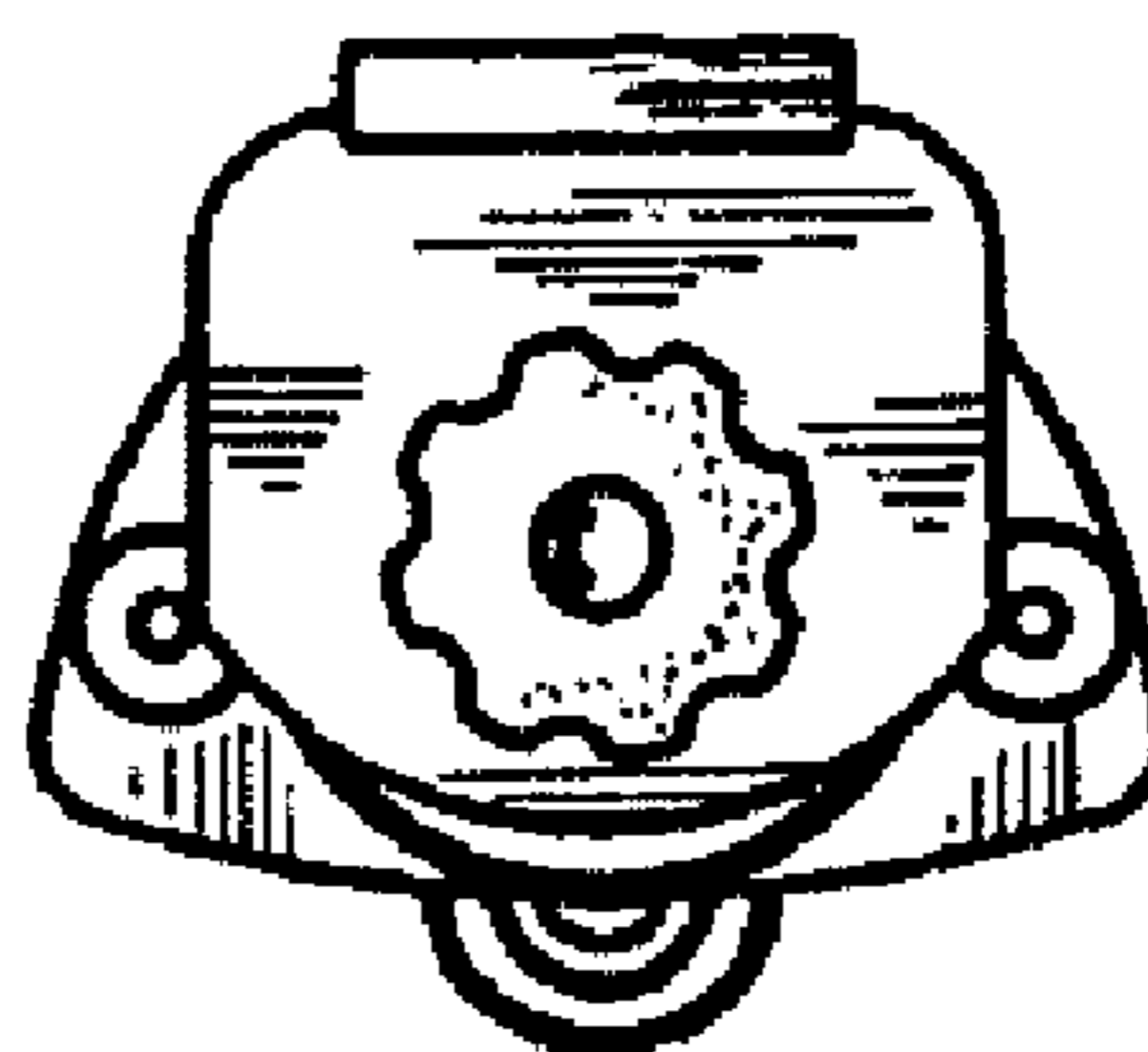


Fig. 6.

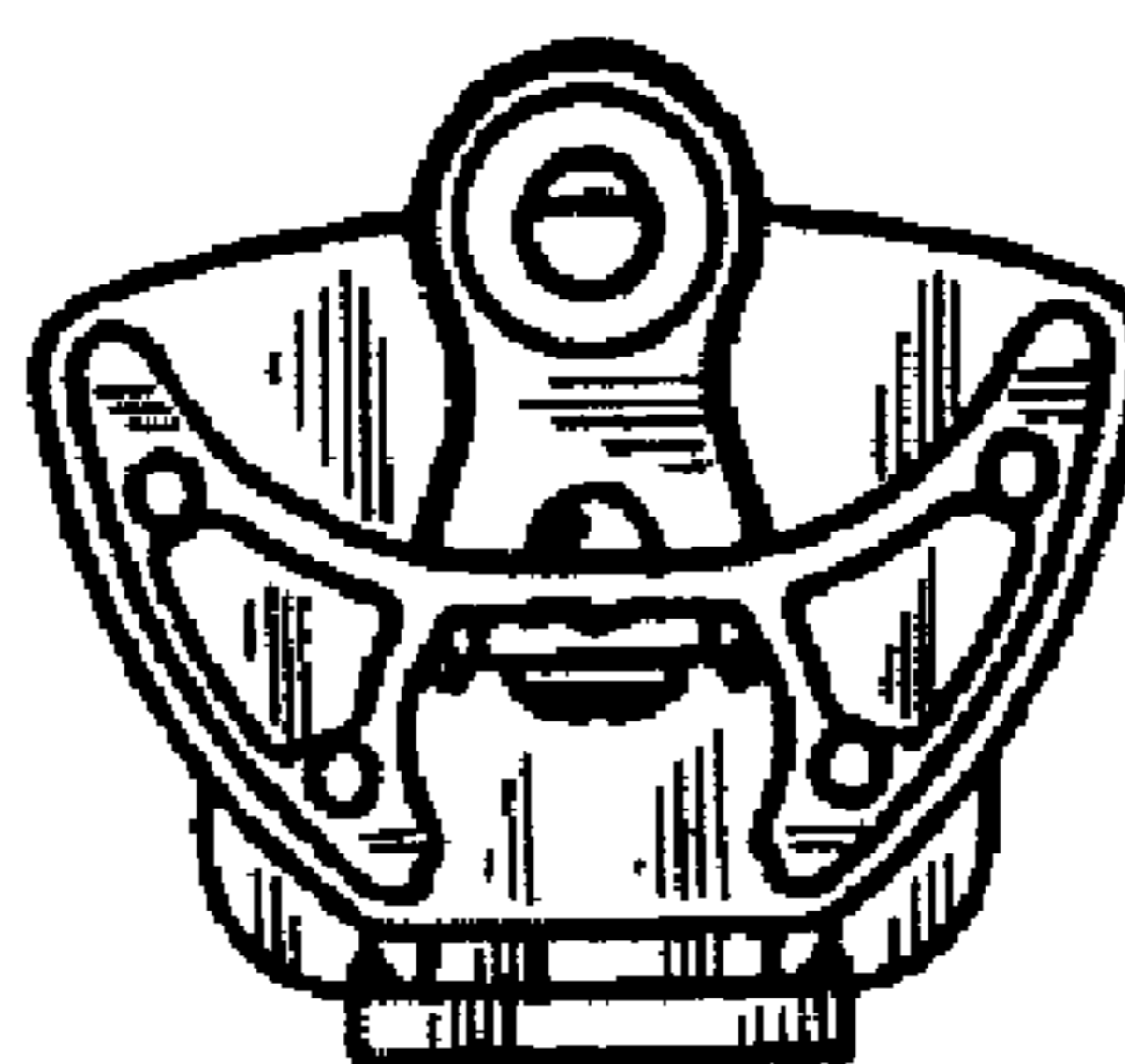


Fig. 7.