

US00D568134S

(12) **United States Design Patent**
Umbrell

(10) **Patent No.:** **US D568,134 S**

(45) **Date of Patent:** **** May 6, 2008**

(54) **CONTOURED BUFFING PAD**

(76) **Inventor:** **Richard T. Umbrell**, 30706 Tarapaca Rd., Rancho Palos Verdes, CA (US) 90275

(**) **Term:** **14 Years**

(21) **Appl. No.:** **29/259,908**

(22) **Filed:** **May 16, 2006**

(51) **LOC (8) Cl.** **08-05**

(52) **U.S. Cl.** **D8/70**

(58) **Field of Classification Search** D8/61-71, D8/90; D15/124-126, 138-140; D4/119, D4/120, 137; 451/41, 47, 56, 324, 443, 523, 451/533, 544, 547, 548-551

See application file for complete search history.

(56) **References Cited**

U.S. PATENT DOCUMENTS

D23,648	S	*	9/1894	Weiper	D15/138
D30,678	S	*	5/1899	Childs	D15/139
785,116	A	*	3/1905	Perry	277/649
1,525,225	A	*	2/1925	Chase	15/230.16
2,263,883	A	*	11/1941	Livermont	15/230.19
2,472,876	A	*	6/1949	Ahrndt et al.	83/676
2,560,764	A	*	7/1951	Hall	15/230.12
2,650,385	A	*	9/1953	De Michel	15/235
D209,153	S	*	11/1967	Goldschein	D8/62
D211,106	S	*	5/1968	Anderson	D32/25
D211,812	S	*	7/1968	Brubaker	D32/25
3,418,675	A	*	12/1968	Meguiar et al.	15/230
D283,590	S	*	4/1986	Ibaraki	D8/62

4,858,590	A	*	8/1989	Bailey	126/39 H
RE35,021	E	*	8/1995	Englund et al.	15/230.16
D367,743	S	*	3/1996	Krause et al.	D32/35
5,527,215	A	*	6/1996	Rubino et al.	451/527
6,044,512	A	*	4/2000	Hornby et al.	15/97.1
6,105,197	A	*	8/2000	Umbrell	15/230
6,361,424	B1	*	3/2002	Manor et al.	451/490
6,368,202	B1	*	4/2002	Kaiser	451/548
6,378,157	B1	*	4/2002	Kosla et al.	15/230
D473,685	S	*	4/2003	McLain et al.	D32/25
6,837,776	B2	*	1/2005	Shimobeppu et al.	451/41
7,048,615	B2	*	5/2006	Chang et al.	451/41
D532,945	S	*	11/2006	Charmoille et al.	D32/25
D537,217	S	*	2/2007	Charmoille et al.	D32/25
2003/0181150	A1	*	9/2003	Arai et al.	451/285
2004/0214511	A1	*	10/2004	Bermann et al.	451/41

* cited by examiner

Primary Examiner—T. Chase Nelson

Assistant Examiner—Karen Acker

(74) *Attorney, Agent, or Firm*—O'Melveny & Myers LLP

(57) **CLAIM**

The ornamental design for a contoured buffing pad, as shown and described.

DESCRIPTION

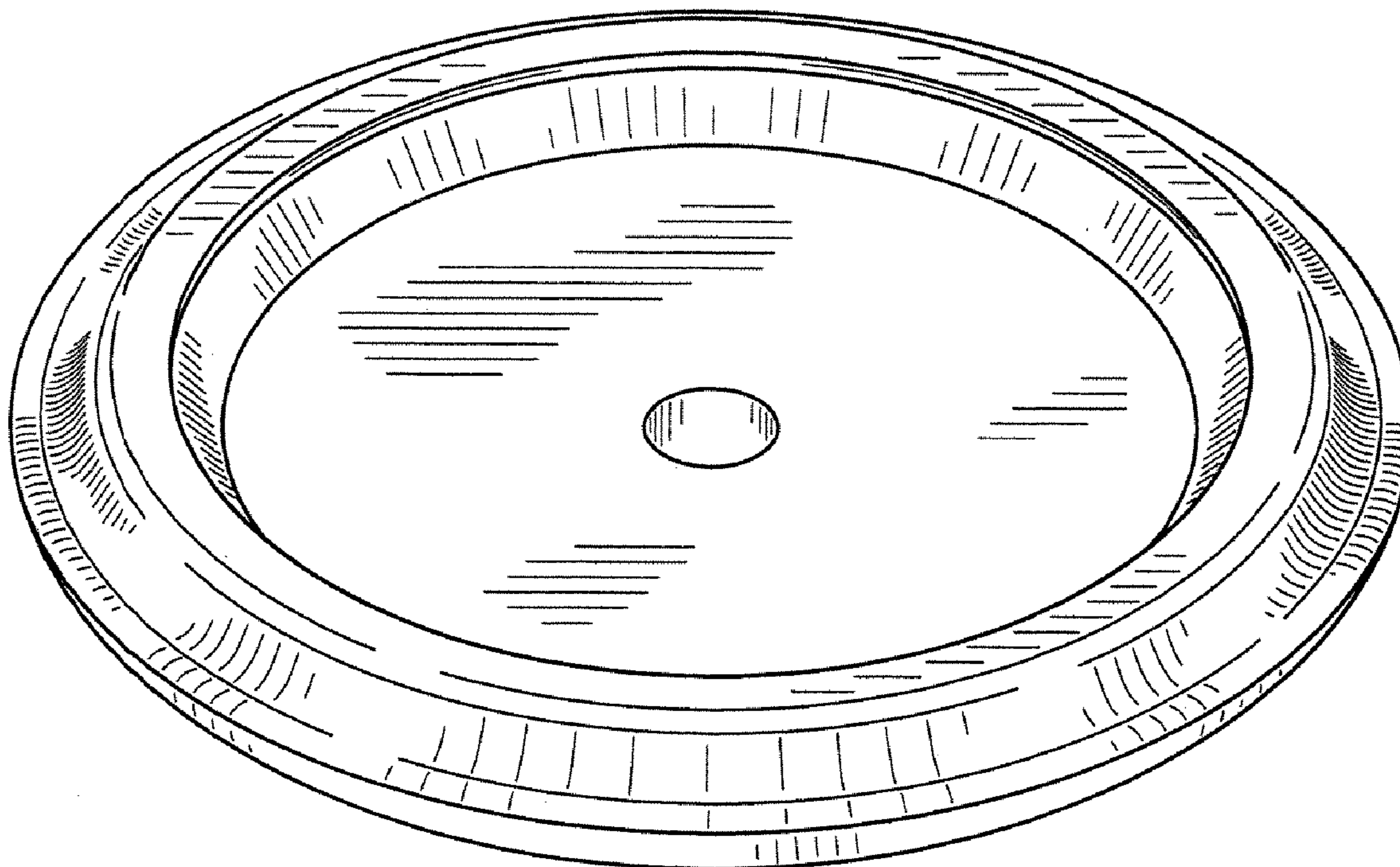
FIG. 1 is a perspective view of a contoured buffing pad in accordance with the invention;

FIG. 2 is a side view of the contoured buffing pad;

FIG. 3 is a top view of the contoured buffing pad; and,

FIG. 4 is a bottom view of the contoured buffing pad.

1 Claim, 2 Drawing Sheets



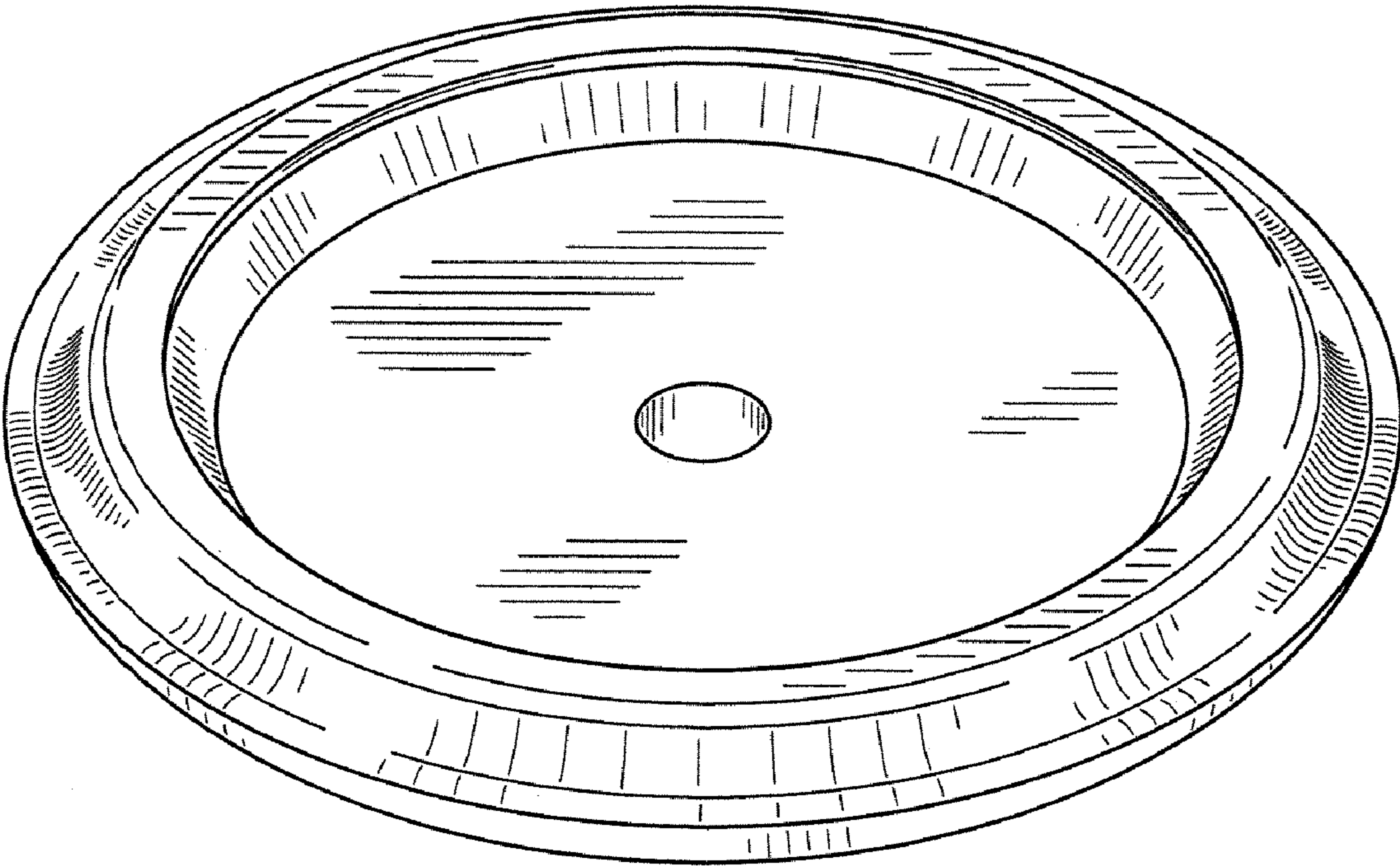


FIG. 1



FIG. 2

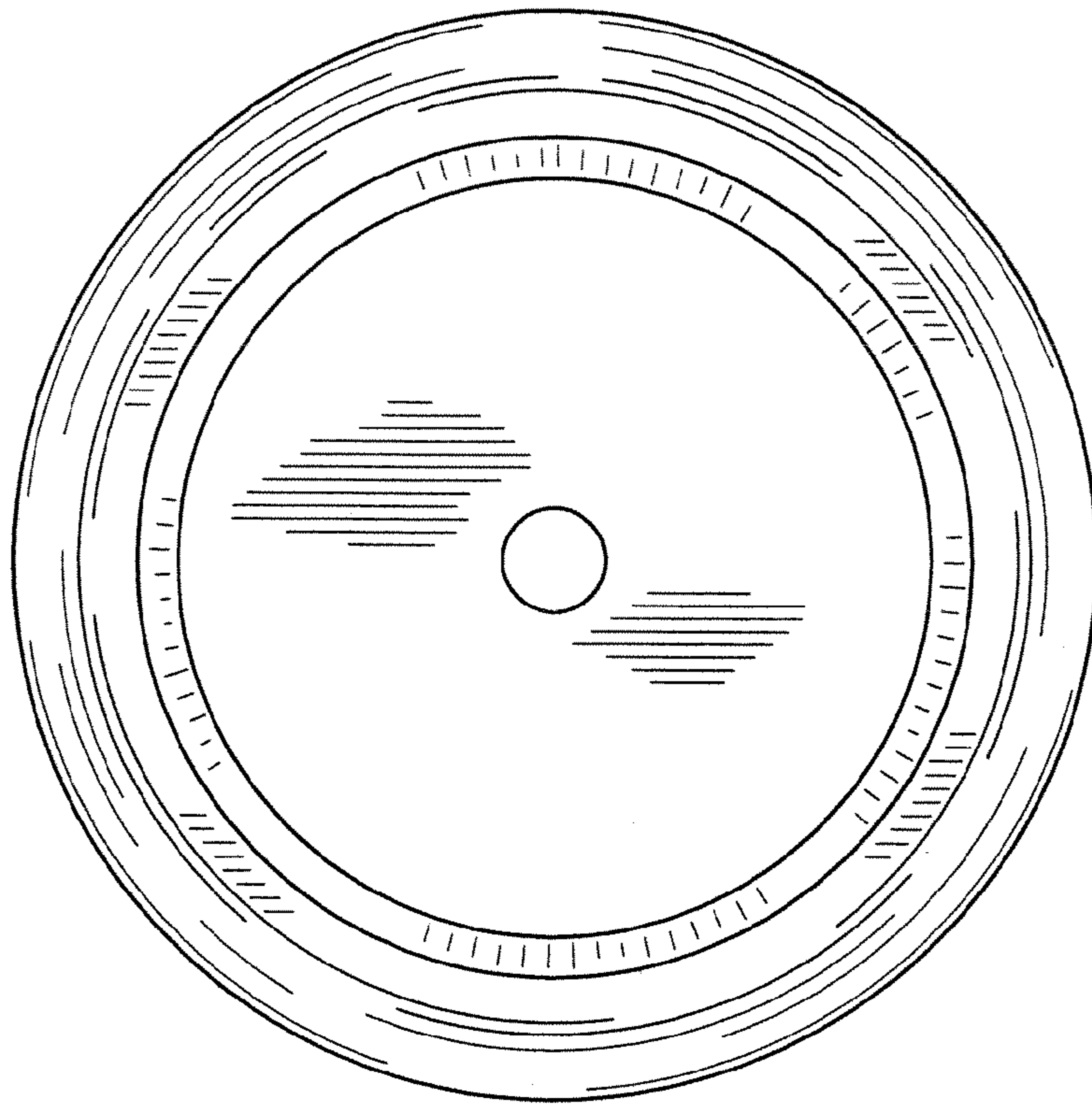


FIG. 3

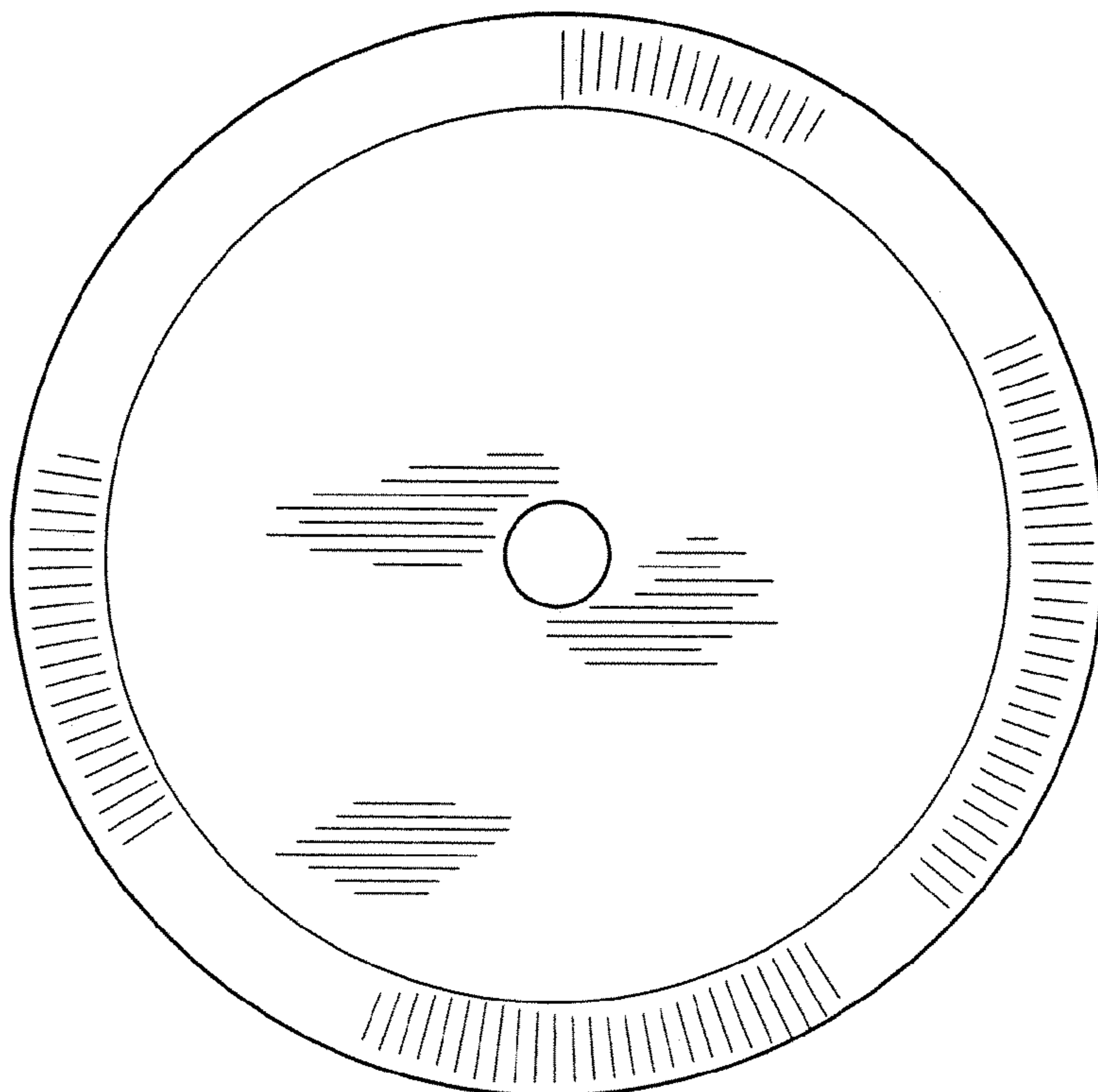


FIG. 4